



Parts Manual

Model Integral Fork Positioner

Serial Number 120F-IFB-D172R0

cascade[®]
corporation

For Technical Assistance call: 800-227-2233, Fax: 888-329-8207

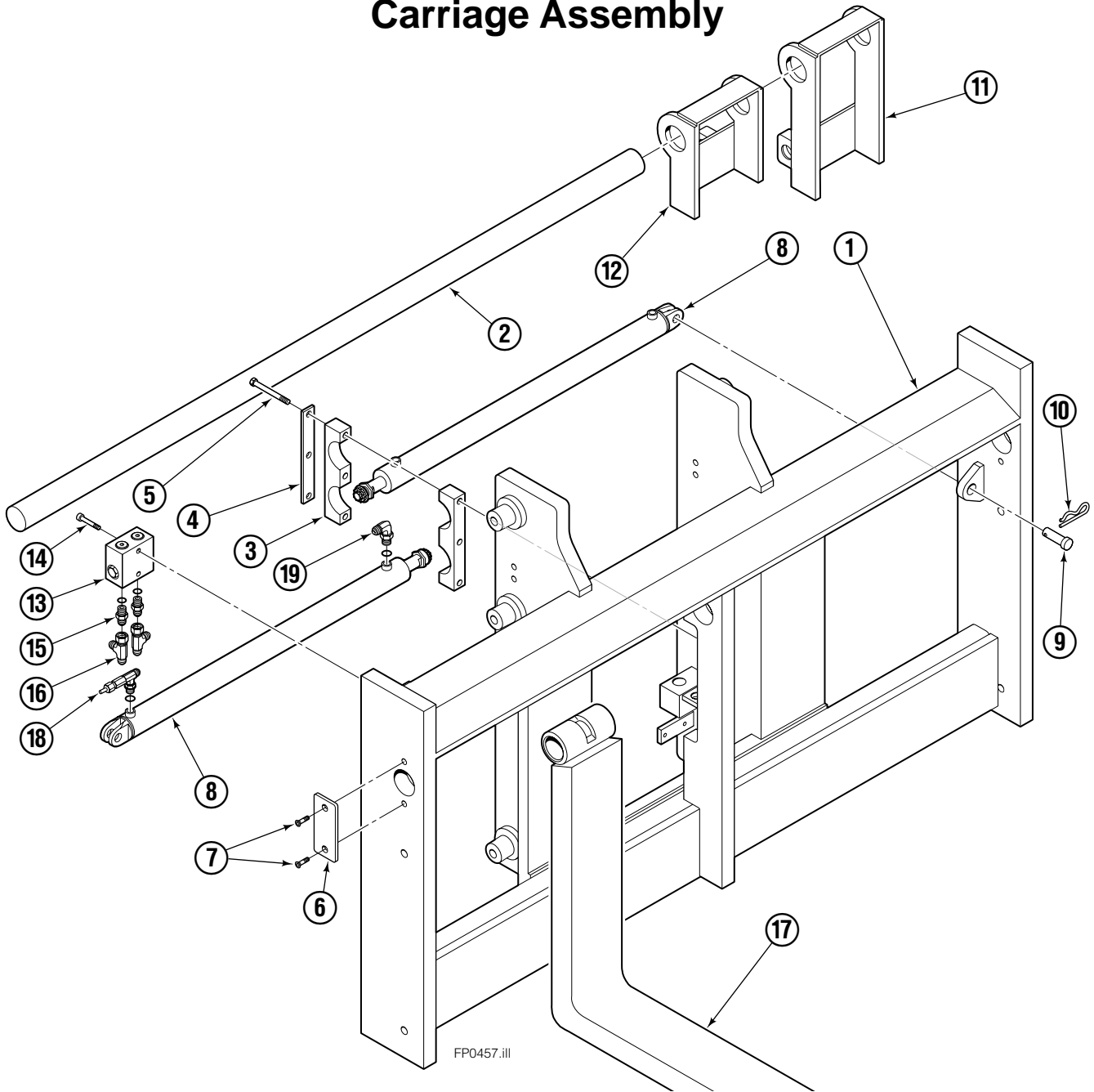
To Order Parts call: 888-227-2233, Fax: 888-329-0234

OR

Write: Cascade Corporation, P.O. Box 20187, Portland, OR 97220

Internet: www.cascorp.com

Carriage Assembly



120J

REF	QTY	PART NO.	DESCRIPTION	REF	QTY	PART NO.	DESCRIPTION
		6102654	Carriage Assembly	12	1	6102494	Fork Carrier – RH
1	1	6102562	Carriage	13	1	6003463	● Cross-Over Relief Valve
2	1	6102492	Fork Pin	14	2	768798	● Capscrew, M8 x 45
3	2	3014343	▲ Cylinder Clamp	15	2	611288	● Fitting, 6-6
4	1	3014344	▲ Clamp Support	16	2	611329	● Fitting, 6-6
5	3	684800	▲ Capscrew, M12 x 100	17	2	6100931	Fork
6	2	3012749	Retainer	18	2	617487	★ Restrictor Fitting ■
7	4	768706	Capscrew, M12 x 35	19	2	601676	★ Fitting
8	2	6102498	Cylinder ◆			6102173	Load Roller Group ▼
9	2	678528	Clevis Pin			6102176	Chain Anchor Group ▼
10	2	672726	Cotter Pin			6102191	Side Roller Group ▼
11	1	6102497	Fork Carrier – LH				

▲ Included in Cylinder Support Assembly 6012112.

◆ See Cylinder page for parts breakdown.

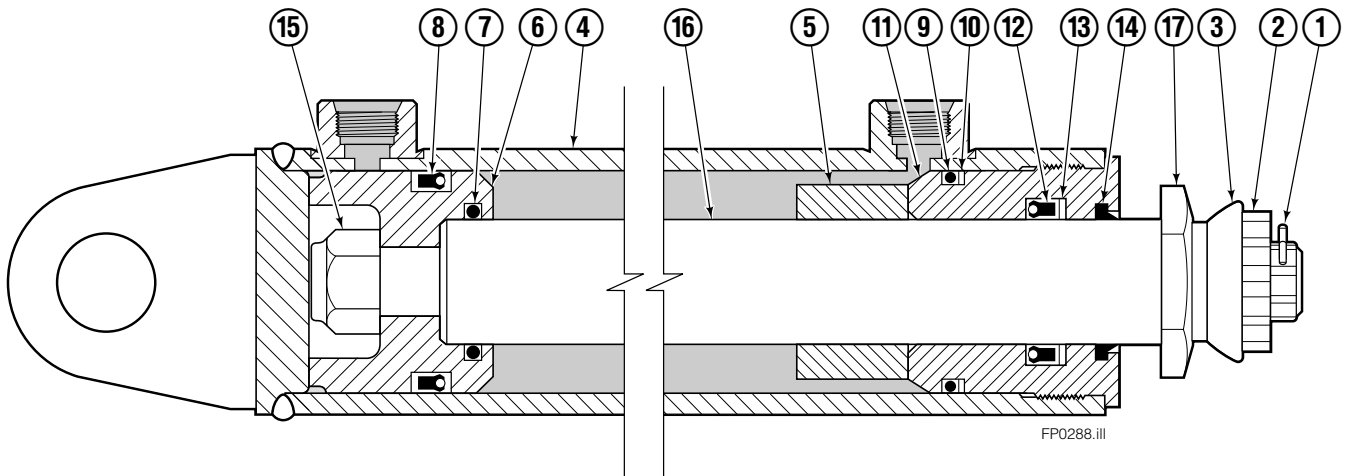
● Included in Valve Group 6003482.

★ Included in Hydraulic Group 6102590.

■ See Restrictor Fitting page for parts breakdown.

▼ See group page for parts breakdown.

Cylinder

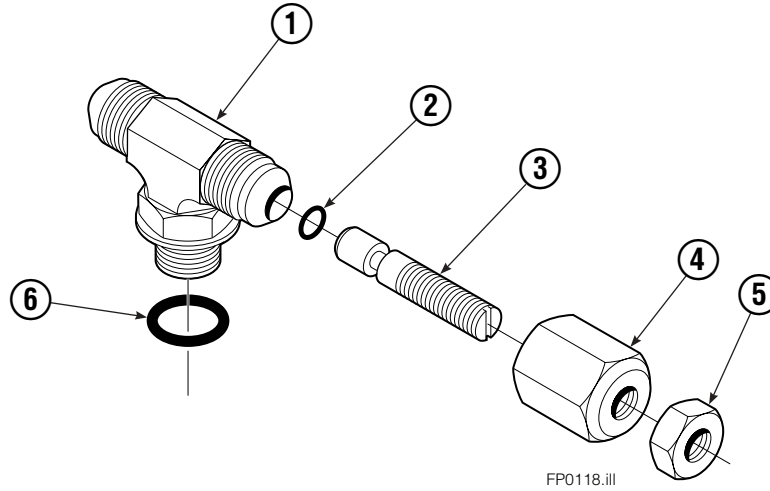


120J			
REF	QTY	PART NO.	DESCRIPTION
		6102498	Cylinder Assembly
1	2	6510	Cotter Pin
2	2	667624	Nut Retainer
3	2	667625	Nut
4	1	6102500	Shell
5	1	6011552	Spacer
6	1	558200	Piston
7	1	2716	▲ O-Ring
8	1	662452	▲ Seal
9	1	2785	▲ O-Ring
10	1	615128	▲ Back-Up Ring
11	1	563906	Retainer
12	1	662448	▲ Seal
13	1	638243	▲ Nylon Ring
14	1	636853	▲ Wiper
15	1	667623	Nut
16	1	6102499	Rod
17	1	667626	Washer
	1	671047	▲ Seal Loader, Piston
	1	671051	▲ Seal Loader, Retainer
		668021	Service Kit

▲ Included in Service Kit 668021.

Reference: S-20040, S-20101.

Restrictor Fitting



FP0118.ill

REF	QTY	PART NO.	DESCRIPTION
		617487	Restrictor Assembly
1	1	617486	Tee
2	1	2698	O-Ring
3	1	11100	Setscrew
4	1	11099	Cap
5	1	5715	Jam Nut
6	1	2840	O-Ring

IMF: -		6102173		R-0															
<p>NACCO F1465866:</p> <table border="0"> <tr> <td>P/N</td> <td>QTY</td> <td>DESCRIPTION</td> </tr> <tr> <td>1399200</td> <td>6</td> <td>LOAD ROLLER</td> </tr> <tr> <td>1399207</td> <td>24</td> <td>SHIM</td> </tr> <tr> <td>1465072</td> <td>6</td> <td>SNAP RING - EXT</td> </tr> <tr> <td>1399224</td> <td>2</td> <td>SPACER</td> </tr> </table> <p>LOCATE SPACER, P/N 1399224, BETWEEN SNAP RING, P/N 1465072, AND LOAD ROLLER, P/N 1399200. TOP 2 ROLLERS ONLY</p> <p style="text-align: right;">METRIC</p>					P/N	QTY	DESCRIPTION	1399200	6	LOAD ROLLER	1399207	24	SHIM	1465072	6	SNAP RING - EXT	1399224	2	SPACER
P/N	QTY	DESCRIPTION																	
1399200	6	LOAD ROLLER																	
1399207	24	SHIM																	
1465072	6	SNAP RING - EXT																	
1399224	2	SPACER																	
ECN: 1420732	MATERIAL OPTIONS:		DRFTR: JWALLIS	DATE:1999/07/22															
A RELEASED	LISTED		PE: JWALLIS	APPR: -															
	-		CASCADE CORPORATION																
	-		THIS DRAWING IS THE PROPERTY OF CASCADE AND CONTAINS CONFIDENTIAL INFORMATION. DO NOT REPRODUCE OR USE WITHOUT WRITTEN APPROVAL																
	-	SEE CASCADE ENG STANDARDS FOR DRAFTING CONVENTIONS CMC = CASCADE MATL. CODE CPS = CASCADE PROCESS STD. CWS = CASCADE WELD SPEC.	NACCO LOAD ROLLER GROUP																
		DISTRIBUTION	H90-120XM/GP100-120M																
			WT: - -																
			GEN-AAT																
			SHT 1 / -	6102173 R-0															

IMF: -		6102176		R-0	
<p>NACCO F1465671: DESCRIPTION</p> <p>P/N QTY CHAIN ANCHOR</p> <p>1 387286 2 ANCHOR PIN</p> <p>339932 2 HCE-0561 PIN 1/8x3/4</p> <p>15222 2 HCE-0536 NUT 3/4 UNF</p> <p>221717 4</p>					
METRIC					
ECN: 1420732	MATERIAL OPTIONS:		DRFTR: JWALLIS	DATE: 1999/07/22	
A RELEASED	LISTED		PE: JWALLIS	APPR: -	
	-		WELD APPR	CASCADE CORPORATION	
	-		-	THIS DRAWING IS THE PROPERTY OF CASCADE AND CONTAINS CONFIDENTIAL INFORMATION. DO NOT REPRODUCE OR USE WITHOUT WRITTEN APPROVAL	
	-		WELD DATE	NACCO CHAIN ANCHOR GROUP	
	SEE CASCADE ENG STANDARDS FOR DRAFTING CONVENTIONS		-	H100-120XM/GP100-120M	
	CMC = CASCADE MATL. CODE		WT: - -	GEN-AAT	
	CPS = CASCADE PROCESS STD.		SHT 1 / -	6102176	
	CWS = CASCADE WELD SPEC.			R-0	
	DISTRIBUTION				

IMF : -		6102191		R-0																														
<p>NACCO L1465881:</p> <table border="0"> <tr> <td>P/N</td> <td>QTY</td> <td>DESCRIPTION</td> </tr> <tr> <td>66333</td> <td>2</td> <td>HCE-566 PIN 3/16x1 3/4</td> </tr> <tr> <td>1387993</td> <td>2</td> <td>ROLLER</td> </tr> <tr> <td>16001</td> <td>2</td> <td>HCE-819 FTG-LUBE</td> </tr> <tr> <td>1465177</td> <td>2</td> <td>ROLLER BRACKET</td> </tr> <tr> <td>192425</td> <td>AR</td> <td>SHIM 1.57</td> </tr> <tr> <td>192424</td> <td>AR</td> <td>SHIM 0.76</td> </tr> <tr> <td>1465028</td> <td>2</td> <td>PIN</td> </tr> <tr> <td>292528</td> <td>4</td> <td>HCE-1000 CPSCR M12x1.75x35</td> </tr> <tr> <td>292683</td> <td>4</td> <td>HCE-1033 WASHER 12</td> </tr> </table>					P/N	QTY	DESCRIPTION	66333	2	HCE-566 PIN 3/16x1 3/4	1387993	2	ROLLER	16001	2	HCE-819 FTG-LUBE	1465177	2	ROLLER BRACKET	192425	AR	SHIM 1.57	192424	AR	SHIM 0.76	1465028	2	PIN	292528	4	HCE-1000 CPSCR M12x1.75x35	292683	4	HCE-1033 WASHER 12
P/N	QTY	DESCRIPTION																																
66333	2	HCE-566 PIN 3/16x1 3/4																																
1387993	2	ROLLER																																
16001	2	HCE-819 FTG-LUBE																																
1465177	2	ROLLER BRACKET																																
192425	AR	SHIM 1.57																																
192424	AR	SHIM 0.76																																
1465028	2	PIN																																
292528	4	HCE-1000 CPSCR M12x1.75x35																																
292683	4	HCE-1033 WASHER 12																																
METRIC																																		
ECN: 1420732	MATERIAL OPTIONS:		DRFTR: JWALLIS	DATE:1999/07/22																														
A RELEASED	LISTED		PE: JWALLIS	APPR: -																														
	-		WELD APPR																															
	-		-																															
	-		WELD DATE																															
		SEE CASCADE ENG STANDARDS FOR DRAFTING CONVENTIONS	-																															
		CMC = CASCADE MATL. CODE																																
		CPS = CASCADE PROCESS STD.																																
		CWS = CASCADE WELD SPEC.																																
		DISTRIBUTION																																
			WT: - -	GEN-AAT																														
			SHT 1 / -	6102191																														
				R-0																														

CASCADE CORPORATION

THIS DRAWING IS THE PROPERTY OF CASCADE AND CONTAINS CONFIDENTIAL INFORMATION. DO NOT REPRODUCE OR USE WITHOUT WRITTEN APPROVAL

NACCO SIDE ROLLER GROUP

H90-120XM/GP100-120M

GEN-AAT

6102191 R-0

Do you have questions you need answered right now? Call your nearest Cascade Parts Department. Visit us online at www.cascorp.com

Cascade Corporation
2501 Sheridan Avenue
Springfield, OH 45505
Tel: 888-CASCADE (227-2233)
FAX: 888-329-0234

Cascade Canada Inc.
5570 Timberlea Blvd.
Mississauga, Ontario
Canada L4W-4M6
Tel: 905-629-7777
FAX: 905-629-7785

Cascade GmbH
D-41199 Monchengladbach
Klosterhofweg 52
Germany
Tel: 49-216-668230
FAX: 49-216-6682323

Cascade Finland
Albert Petreliuksenkatu 3
01370 Vantaa
Finland
Tel: 358-9-836-1925
FAX: 358-9-836-1935

**Cascade N.V.
European Headquarters**
P.O. Box 3009
1300 El Almere
Damsluisweg 56
1332 ED Almere
The Netherlands
Tel: 31-36-5492911
FAX: 31-36-5492964

**Cascade N.V.
Benelux Sales and Service**
P.O. Box 3009
1300 El Almere
Damsluisweg 56
1332 ED Almere
The Netherlands
Tel: 31-36-5492950
FAX: 31-36-5492974

Cascade (UK) Ltd.
15, Orgreave Crescent
Dore House Industrial Estate
Handsworth
Sheffield S13 9NQ
England
Tel: 742-697524
FAX: 742-695121

Cascade Scandinavia AB
Box 124
Hammarvägen 10
567 23 Vaggeryd
Sweden
Tel: 42-0-393-36950
FAX: 46-0-393-36959

Cascade Norway
Østerliveien 37A
1153 Oslo
Norway
Tel: 47-22-743160
FAX: 47-22-743157

Cascade France S.A.R.L.
1D Rue De Charaintru
BP 18, 91360 Epinay-Sur-Orge
Morangis Cedex, France
Tel: 33-1- 64547500
FAX: 33-1-64547501

Cascade Hispania S.A.
Carrer 5 Sector C
Zona Franca Duanera
Poligono de la Zon Franca
08040 Barcelona, Spain
Office No. 256
Tel: 93-264-07-30
FAX: 93-264-07-31

Cascade Japan Ltd.
5-5-41,
Torikai Kami
Settsu, Osaka
Japan, 566
Tel: 81-726-53-3490
FAX: 81-726-53-3497

Cascade Korea
108B, Namdong Ind Complex
658-3 Gojan-Dong
Namdong-Gu
Inchon, 405-310 Korea
Tel: 82-32-821-2051
FAX: 82-32-821-2055

Cascade Australia
1445 Ipswich Road
Rocklea, QLD 4106
Australia
Tel: 1-800227-223
FAX: (07) 3373-7333

Cascade New Zealand
15 Ra Ora Drive
East Tamaki, Auckland
New Zealand
Tel: 9-273-9136
FAX: 9-273-9137

Cascade (Africa) Pty. Ltd.
P.O. Box 625, Isando 1600
60A Steel Road
Sparton, Kempton Park
South Africa
Tel: 27-11-975-9240
FAX: 27-11-394-1147

Cascade-Xiamen
No. 668 Yangguang Rd.
Xinyang Industrial Zone
Haicang, Xiamen City
Fujian Province
P.R. China 361026
Tel: 86-592-651-2500
FAX: 86-592-651-2571

**Cascade (Singapore)
Trading Co.**
Four Seasons Park
Autumn Block - Apt. 1802
12 Cuscaden Walk
Singapore
Tel: 65-834-1935
FAX: 65-834-1936

