



Parts Manual

Model Single-Double Pallet Handler

Serial Number 55E-FD-510

cascade[®]

For Technical Assistance call: 800-227-2233, Fax: 888-329-8207

To Order Parts call: 888-227-2233, Fax: 888-329-0234

OR

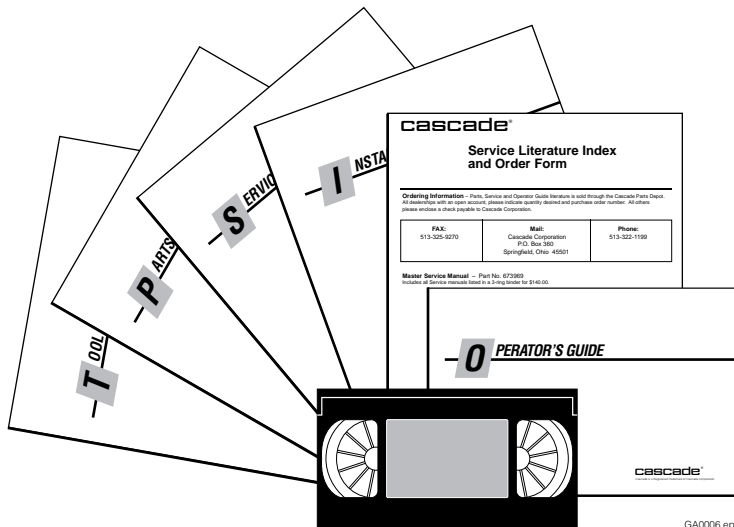
Write: Cascade Corporation, P.O. Box 20187, Portland, OR 97220

Decals



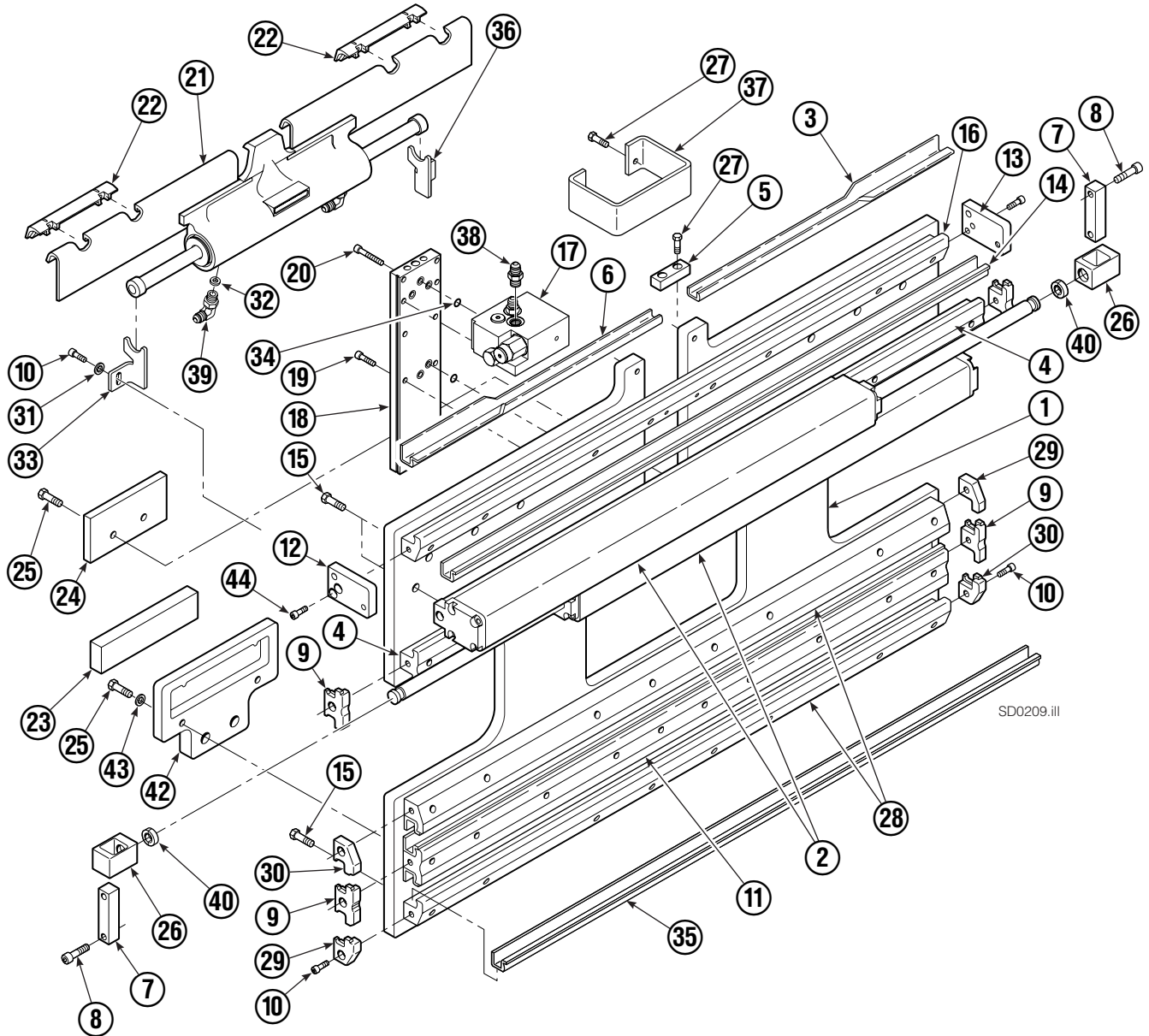
| 55E | | | |
|-----|-----|----------|--------------------|
| REF | QTY | PART NO. | DESCRIPTION |
| 1 | 6 | 665595 | No Hand Hold Decal |
| 2 | 4 | 679150 | No Step Decal |

Publications



| 55E | |
|----------|-----------------------------|
| PART NO. | DESCRIPTION |
| | Parts Manual |
| 213580 | Operator's Guide |
| 213372 | Installation Instructions |
| 679929 | Tool Catalog |
| 673964 | Literature Index Order Form |

Base Unit Group – ITA Class II



Base Unit Group – ITA Class II

| 55E | | | |
|-----|-----|-----------|----------------------------|
| REF | QTY | PART NO. | DESCRIPTION |
| | | 220182 | Base Unit Group – Class II |
| 1 | 1 | 220015 | Baseplate |
| 2 | 2 | 214620 | Frame Cylinder ★ |
| 3 | 1 | 4786-0488 | Bearing Segment – LH |
| 4 | 2 | 214628 | T-Bar – Upper |
| 5 | 1 | 212722 | Fork Stop |
| 6 | 1 | 4787-0488 | Bearing Segment – RH |

| REF | QTY | PART NO. | DESCRIPTION | REF | QTY | PART NO. | DESCRIPTION |
|-----|-----|-----------|----------------------------|-----|-----|-----------|----------------------|
| 7 | 2 | 210489 | Rod End Anchor ■ | 27 | 4 | 684649 | Capscrew, M10 x 25 |
| 8 | 4 | 768303 | Capscrew, M10 x 35 ■ | 28 | 2 | 214633 | T-Bar – Lower |
| 9 | 4 | 210140 | Bearing Retainer | 29 | 2 | 212585 | Bearing Retainer |
| 10 | 14 | 787375 | Capscrew, M8 x 20 GR 8.8 | 30 | 2 | 212586 | Bearing Retainer |
| 11 | 1 | 214631 | T-Bar – Lower | 31 | 2 | 787398 | Washer |
| 12 | 1 | 220009 | Retainer/Stop – RH | 32 | 1 | 205369 | Washer |
| 13 | 1 | 220008 | Retainer/Stop – LH | 33 | 1 | 213737 | Bracket – RH |
| 14 | 4 | 4730-1050 | Bearing Segment | 34 | 7 | 214053 | O-Ring |
| 15 | 24 | 211689 | Capscrew, M12 x 30 GR 10.9 | 35 | 4 | 4730-1040 | Bearing Segment |
| 16 | 1 | 220143 | T-Bar – Upper | 36 | 1 | 213736 | Bracket – LH |
| 17 | 1 | 216838 | Valve Assembly ▲ | 37 | 1 | 212741 | Valve Guard |
| 18 | 1 | 211456 | Manifold | 38 | 2 | 604511 | Fitting, 6-6 ◆ |
| 19 | 6 | 768208 | Capscrew, M8 x 25 | 39 | 2 | 601676 | Fitting, 6-6 ◆ |
| 20 | 2 | 768800 | Capscrew, M8 x 60 | 40 | 4 | 210490 | Retainer Half Ring ■ |
| 21 | 1 | 205842 | Sideshift Cylinder ● | 41 | 26 | 214487 | Capscrew, M12 x 40 |
| 22 | 2 | 204187 | Upper Bearing | 42 | 2 | 215226 | Hanger |
| 23 | 2 | 208350 | Lower Bearing | 43 | 4 | 787383 | Lockwasher, M10 |
| 24 | 2 | 212709 | Spacer Block | 44 | 2 | 762900 | Capscrew, M6 x 25 |
| 25 | 8 | 767615 | Capscrew, M10 x 25 | 45 | 2 | 768802 | Capscrew, M8 x 70 |
| 26 | 2 | 209741 | Rod End ■ | | | | |

★ See Frame Cylinder page for parts breakdown.

▲ See Valve Assembly page for parts breakdown.

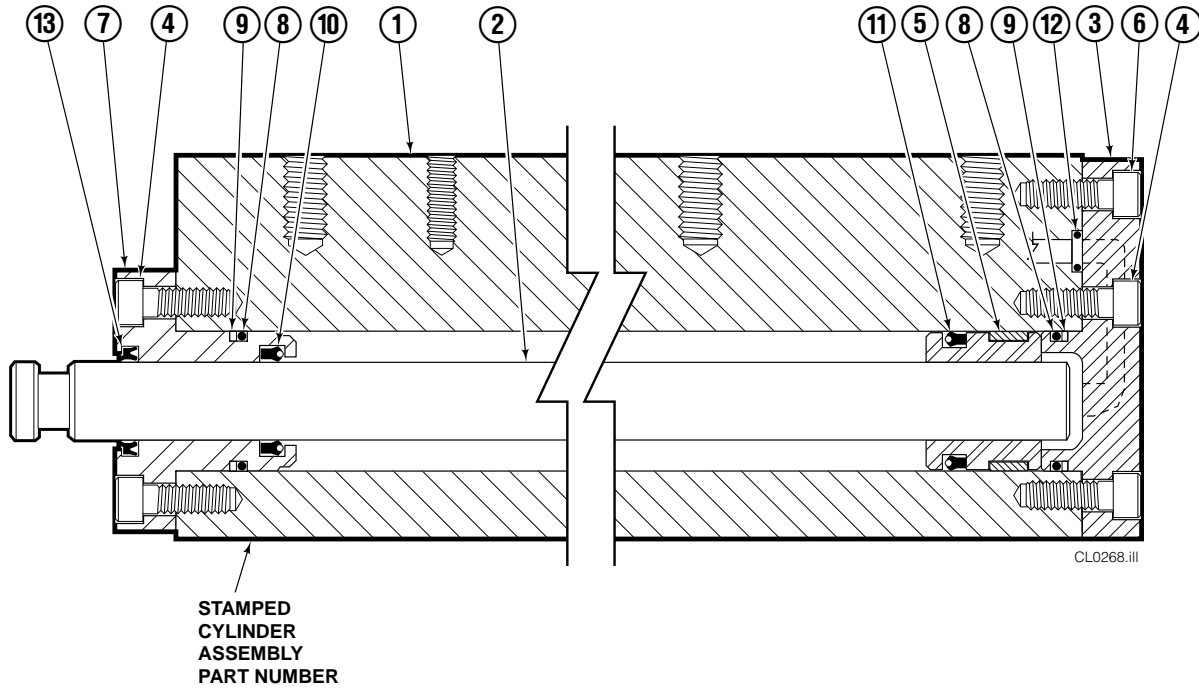
■ Included in Cylinder Rod Anchor Kit 213856.

● See Sideshift Cylinder page for parts breakdown.

◆ Included in Fitting Group 213099.

Reference: SK-6374.

Frame Cylinder



| 55E | | | |
|-----|-----|----------|-------------------|
| REF | QTY | PART NO. | DESCRIPTION |
| | | 214620 | Cylinder Assembly |
| 1 | 1 | 214621 | Cylinder/Shell |
| 2 | 1 | 4157-805 | Rod |
| 3 | 1 | 213783 | End Cap |
| 4 | 8 | 768208 | Capscrew, M8 x 25 |
| 5 | 1 | 209809 | Bearing ▲ |
| 6 | 1 | 787375 | Capscrew, M8 x 20 |
| 7 | 1 | 212452 | Retainer |
| 8 | 3 | 643379 | O-Ring ▲ |
| 9 | 2 | 210050 | Back-Up Ring ▲ |
| 10 | 1 | 212477 | Seal ▲ |
| 11 | 1 | 209808 | Seal ▲ |
| 12 | 2 | 214053 | O-Ring ▲ |
| 13 | 1 | 562131 | Wiper ▲ |
| | | 210090 | Service Kit |

▲ Included in Service Kit 210090.

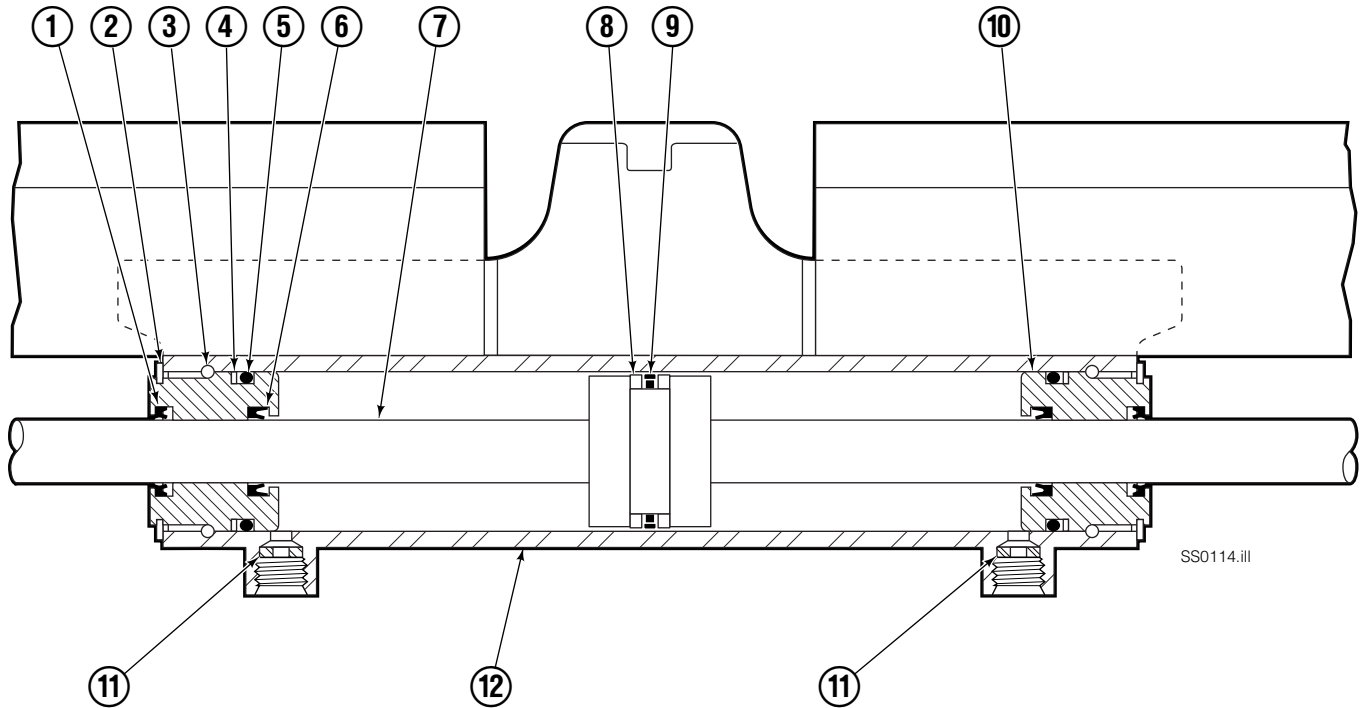
Reference: S-4643, S-4644.

Valve ITA Class III



| 55E | | | |
|-----|-----|----------|------------------------|
| REF | QTY | PART NO. | DESCRIPTION |
| | | 216838 | Valve Assembly |
| 1 | 1 | 219039 | Check Valve |
| 2 | 1 | — | Service Kit |
| 3 | 1 | 609234 | Plug |
| 4 | 1 | 216839 | Valve Body |
| 5 | 1 | 213535 | Crossover Relief Valve |
| 6 | 1 | 682170 | Service Kit |
| 7 | 1 | 219040 | Flow Divider/Combiner |
| 8 | 1 | — | Service Kit |

Sideshift Cylinder ITA Class II



| 55E | | | |
|-----|-----|----------|----------------------|
| REF | QTY | PART NO. | DESCRIPTION |
| | | 205842 | Cylinder Assembly |
| ● 1 | 2 | 562131 | Wiper Seal |
| 2 | 2 | 562951 | Snap Ring |
| 3 | 2 | 562942 | Retaining Ring |
| ● 4 | 2 | 563388 | Back-Up Ring |
| ● 5 | 2 | 562127 | O-Ring |
| ● 6 | 2 | 562132 | Rod Seal |
| 7 | 1 | 562055 | Rod |
| ● 8 | 2 | 563278 | Bearing Ring |
| ● 9 | 1 | 564141 | Piston Seal |
| 10 | 2 | 562792 | Retainer |
| 11 | 2 | 205369 | Speed Control Washer |
| 12 | - | ■ | Cylinder Shell |
| | | 563487 | Service Kit |

- Included in Service Kit 563487.
- Not serviceable, order new cylinder assembly.

Arm Group



SD0210.III

Arm Group



NOTE: Position the inner forks to maximum width and measure **A** to determine maximum inner fork inside to inside (ITI) range.

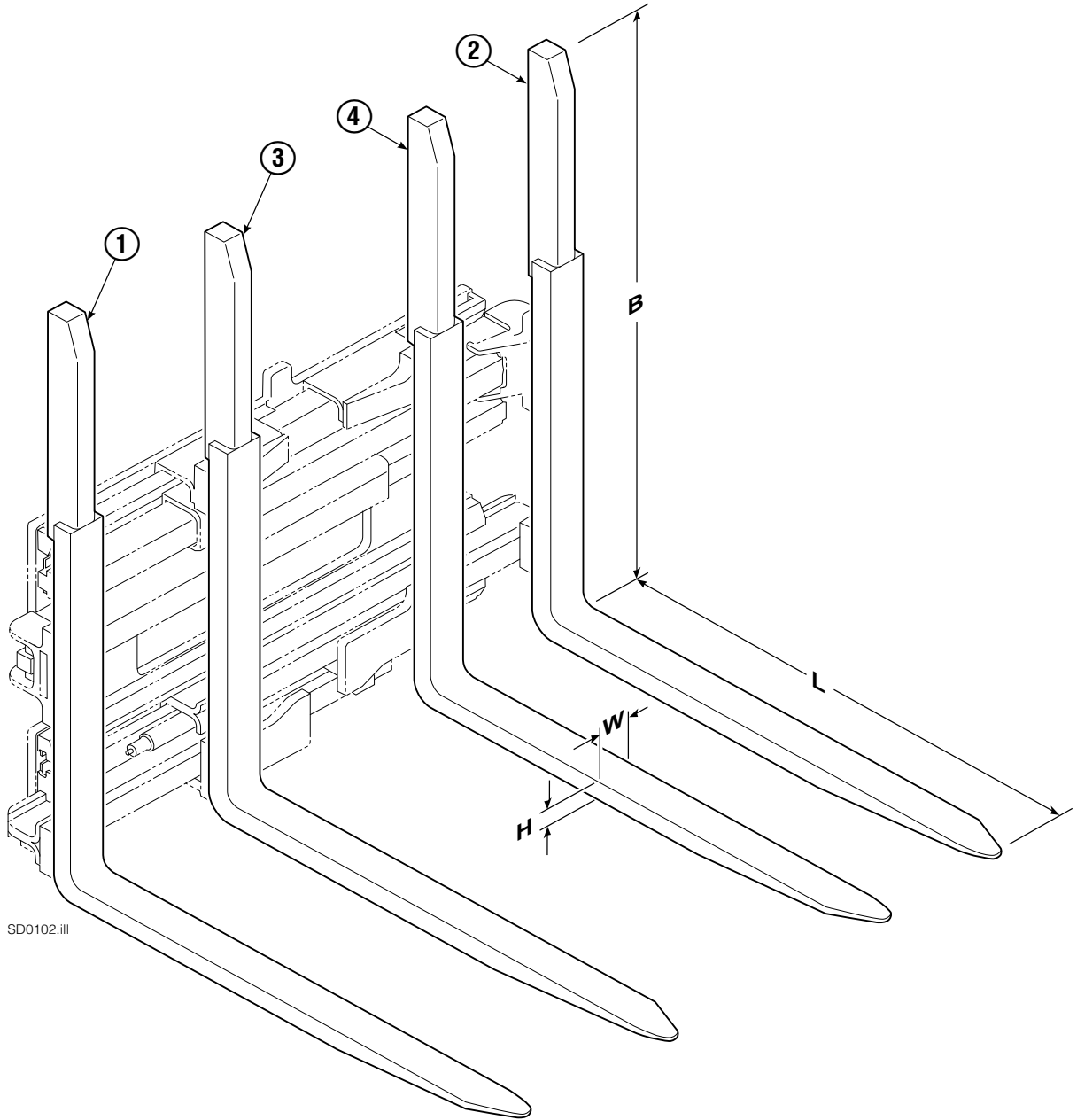
| 55E | | | | | | |
|------------|-----|---|----------------------|--------------------|--------------------|--------------------|
| | | DIMENSION – A MAXIMUM ITI FORK RANGE | | | | |
| | | 28 in. (720 mm) | 28.5 in. (730 mm) | 31 in. (790 mm) | 32 in. (820 mm) | |
| REF | QTY | PART NO. | PART NO. | PART NO. | PART NO. | DESCRIPTION |
| | | 220119 | 220122 | 220123 | 220120 | Arm Group |
| 1 | 2 | 220175 | 220176 | 220177 | 220174 | Upper Arm Bar |
| 2 | 1 | 220124 | 220216 | 220217 | 220213 | Lower Arm Bar – RH |
| 3 | 1 | 220204 | 220206 | 220207 | 220203 | Lower Arm Bar – LH |
| 4 | 1 | 220135 | 220136 | 220137 | 220135 | Lower Hook – RH |
| 5 | 1 | 220138 | 220139 | 220140 | 220138 | Lower Hook – LH |
| 6 | 2 | 10273-0243 | 10273-0133 | 10273-0178 | 10273-0243 | Bracket |
| 7 | 2 | 218895 | 219979 | 219979 | 218895 | Gas Spring |

Common Parts

| REF | QTY | PART NO. | DESCRIPTION | REF | QTY | PART NO. | DESCRIPTION |
|-----|-----|----------|--------------------|-----|-----|-----------|-----------------------|
| 8 | 1 | 220096 | Upper Hook – LH | 19 | 2 | 4501-0222 | Bearing Segment |
| 9 | 1 | 220095 | Upper Hook – RH | 20 | 2 | 212979 | Bearing Retainer |
| 10 | 2 | 213011 | Ball Joint | 21 | 1 | 212682 | Bearing – RH |
| 11 | 4 | 766646 | Capscrew, M10 x 20 | 22 | 1 | 213899 | Bearing – LH |
| 12 | 4 | 212687 | Fork Stop | 23 | 4 | 213364 | Key |
| 13 | 8 | 769574 | Capscrew, M16 x 35 | 24 | 2 | 213360 | Bearing Retainer |
| 14 | 12 | 769578 | Capscrew, M16 x 60 | 25 | 4 | 212559 | Shim, .04 in. (.1 mm) |
| 15 | 4 | 769577 | Capscrew, M16 x 50 | 26 | 4 | 213913 | Shim, .02 in. (.5 mm) |
| 16 | 8 | 769573 | Capscrew, M16 x 30 | 27 | 4 | 787375 | Capscrew, M8 x 20 |
| 17 | 2 | 210587 | Spacer | 28 | 4 | 797611 | Spacer |
| 18 | 4 | 214414 | Capscrew, M10 x 12 | 29 | 4 | 797610 | Spacer |

Reference: SK-6373 and 6374. Common Parts Group 220285.

Tube Backrest/Fork Group



SD0102.iii

| 55E | | | | | | | | |
|------------|-----|-----|----|------------------------|---------------|---------------|---------------|---------------|
| SIZE (IN.) | | | | FORK GROUP PART NO. | REF 1 | REF 2 | REF 3 | REF 4 |
| L | W | H | B | | Outer Fork-RH | Outer Fork-LH | Inner Fork-RH | Inner Fork-LH |
| 42.1 | 3.2 | 1.8 | 48 | 212605 | 212761 | 212760 | 212801 | 212800 |

Mounting Group ITA Class II



| 55E | | | |
|-----|-----|----------|--------------------|
| REF | QTY | PART NO. | DESCRIPTION |
| | | 212569 | Upper Hook Group ▲ |
| | | 6012786 | Lower Hook Group ★ |
| 1 | 2 | 210591 | Upper Hook |
| 2 | 6 | 751511 | Capscrew, M16 x 55 |
| 3 | 2 | 7403 | Grease Fitting |
| 4 | 2 | 675514 | Lower Hook |
| 5 | 2 | 675515 | Guide |
| 6 | 2 | 678832 | Pin |
| 7 | 4 | 221304 | Capscrew, M16 x 55 |

▲ Includes items 1 & 2.

★ Includes items 4-7.

Reference: SK-6116.

Do you have questions you need answered right now? Call your nearest Cascade Parts Department.

Cascade Corporation
2501 Sheridan Avenue
Springfield, OH 45505
Tel: 888-CASCADE (227-2233)
FAX: 888-329-0234

Cascade Canada Inc.
5570 Timberlea Blvd.
Mississauga, Ontario
Canada L4W-4M6
Tel: 905-629-7777
FAX: 905-629-7785

Cascade GmbH
D-41 199 Monchengladbach
Klosterhofweg 52
Germany
Tel: 21-66-602091
FAX: 21-66-680947

Cascade Finland
01370 Vantas
Finland
Tel: 358-0-836-1925
FAX: 358-0-836-1935

**Cascade N.V.
European Headquarters**
P.O. Box 3009
1300 El Almere
Damsluisweg 56
1332 ED Almere
The Netherlands
Tel: 31-36-5492911
FAX: 31-36-5492964

**Cascade N.V.
Benelux Sales and Service**
P.O. Box 3009
1300 El Almere
Damsluisweg 56
1332 ED Almere
The Netherlands
Tel: 31-36-5492950
FAX: 31-36-5492974

Cascade (UK) Ltd.
15, Orgreave Crescent
Dore House Industrial Estate
Handsworth
Sheffield S13 9NQ
England
Tel: 742-697524
FAX: 742-695121

**Cascade Scandinavia
Hydraulik A.B.**
Muskötgatan 19, E8-9
S25466 Helsingborg
Sweden
Tel: 42-151135
FAX: 42-152997

Cascade Norway
Østerliveien 37A
1153 Oslo
Norway
Tel: 47-22-743160
FAX: 47-22-743157

Cascade France S.A.R.L.
11, Rue Jean Charcot
Zone Industrielle Sud or
B.P. 22
91421 Morangis Cedex
France
Tel: 1- 64547501
FAX: 1-9790584

Cascade Hispania S.A.
Avenida De La Fabregada, 7
Hospitalet De Llobregat
Barcelona
Spain
Tel: 3-335-5158
FAX: 3-335-4756

Cascade Japan Ltd.
5-5-41,
Torikai Kami
Settsu, Osaka
Japan, 566
Tel: 81-726-53-3490
FAX: 81-726-53-3497

Cascade Korea
Room 508, Pum Yang Bldg.
750-14, Bang Bac-Dong
Se-Cho Ku, Seoul
Korea
Tel: 2599-7131 ext. 512
FAX: 2533-8089

HYCO-Cascade Pty. Ltd.
1445 Ipswich Road
Rocklea,
Queensland 4107
Australia
Tel: 3-274-2722
FAX: 3-274-3456

HYCO-Cascade (NZ) Ltd.
15 Ra Ora Drive, East Tamaki
P.O. Box 38-440
Howick, Auckland
New Zealand
Tel: 9-273-9136
FAX: 9-273-9137

Cascade (Africa) Pty. Ltd.
P.O. Box 625, Isando 1600
60A Steel Road
Sparton, Kempton Park
South Africa
Tel: 975-9240
FAX: 394-1147

Cascade-Xiamen
Wanshan No. 1 Workshop
Huli Road
Xiamen 361006
Fujian, PRC
Tel: 592-562-4600
FAX: 592-562-4671

**Cascade (Singapore)
Trading Co.**
Four Seasons Park
Autumn Block - Apt. 1802
12 Cascaden Walk
Singapore
Tel: 65-834-1935
FAX: 65-834-1936

