



Parts Manual

Model Fork Positioner

Serial Number 55F-HS-096

cascade[®]

For Technical Assistance call: 800-227-2233, Fax: 888-329-8207

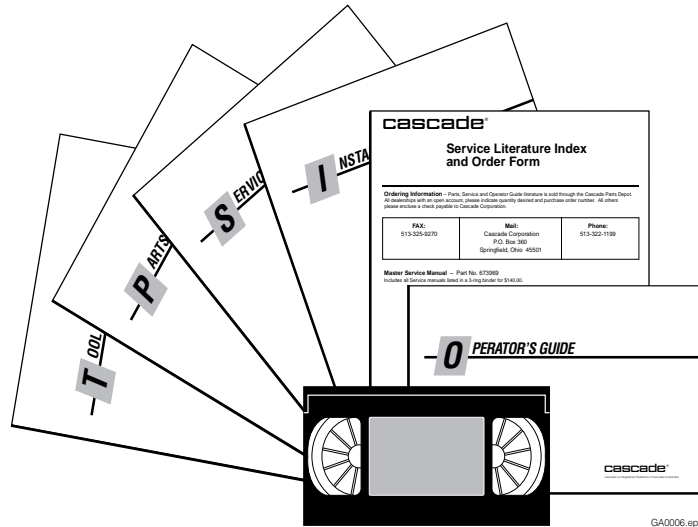
To Order Parts call: 888-227-2233, Fax: 888-329-0234

OR

Write: Cascade Corporation, P.O. Box 20187, Portland, OR 97220

Internet: www.cascorp.com

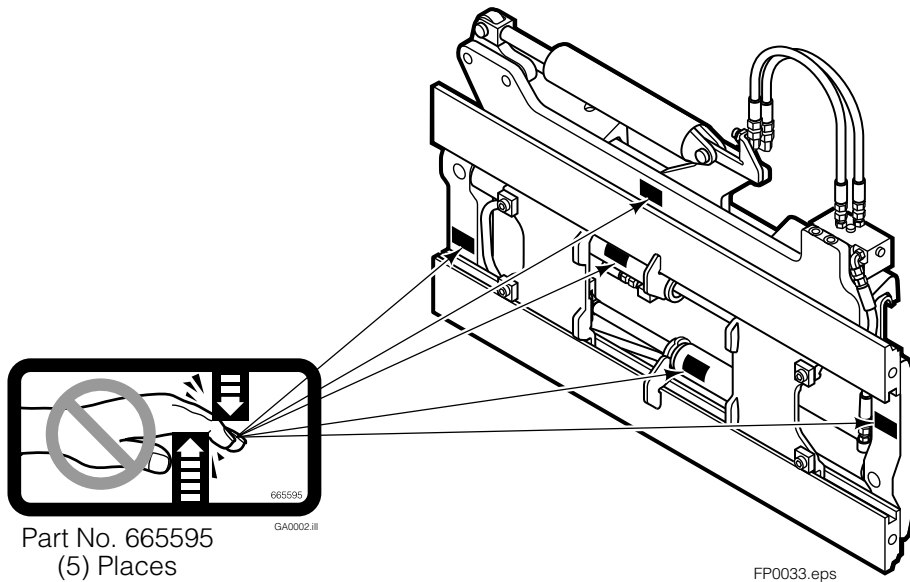
Publications



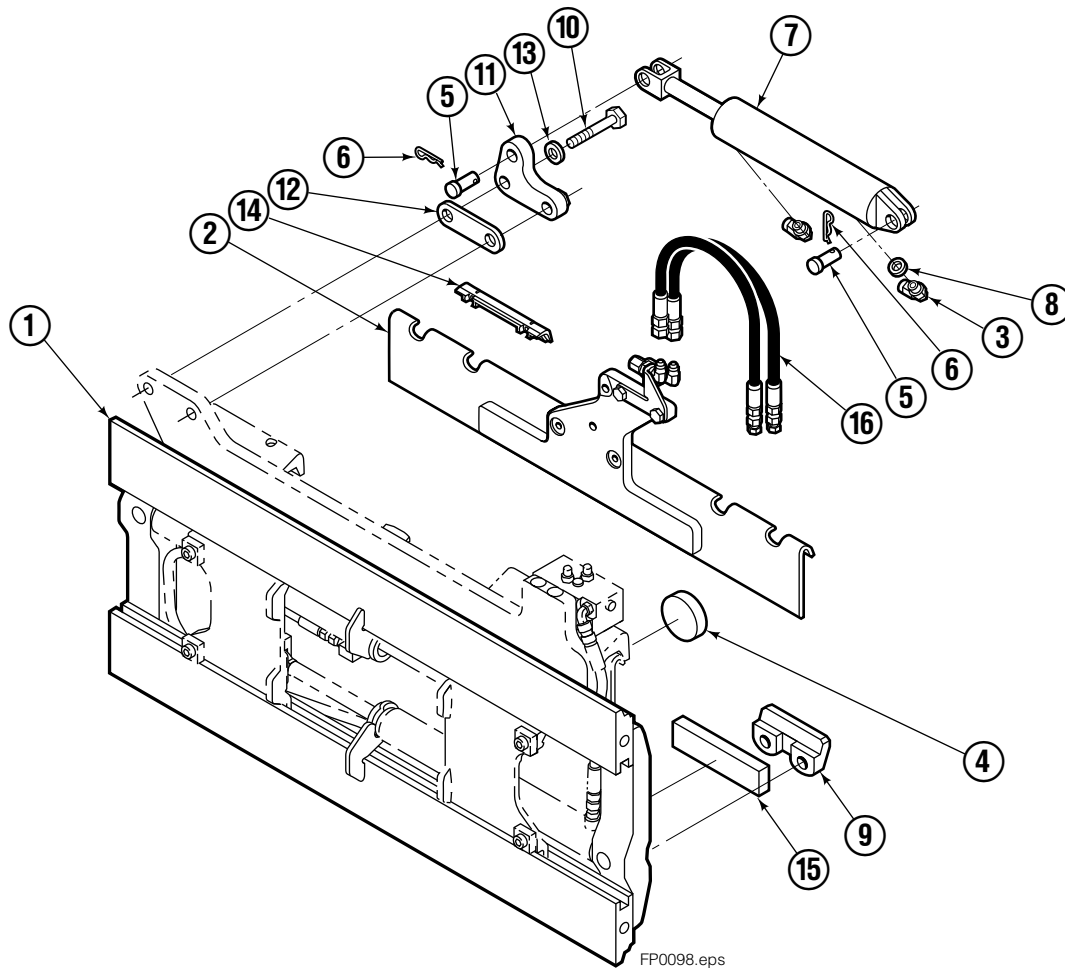
GA0006.eps

| 55F | |
|----------|---------------------------------|
| PART NO. | DESCRIPTION |
| | Parts Manual |
| 208743 | Service Manual |
| 688261 | Operators Guide |
| 207363 | Installation Instructions |
| 680664 | Servicing Cascade Cylinders-VHS |
| 679929 | Tool Catalog |
| 673964 | Literature Index Order Form |

Safety Decals



Mounting Group Sideshifting

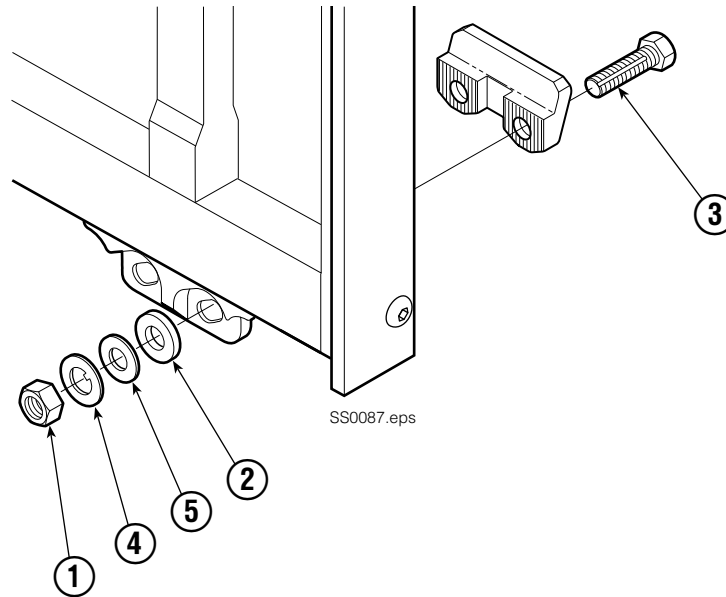


55F

| REF | QTY | PART NO. | DESCRIPTION | REF | QTY | PART NO. | DESCRIPTION |
|-----|-----|----------|-----------------------------|-----|-----|----------|--------------------------|
| | | 375530● | Sideshifting Mounting-49" ■ | 9 | 2 | 204186 | Lower Hook |
| 1 | 1 | 207214 | Frame-49" ■ | 10 | 2 | 766154 | Capscrew, M16x2,0x40-8.8 |
| 2 | 1 | 207186 | Anchor Bracket-49" ■ | 11 | 1 | 206909 | Lug |
| 3 | 2 | 601676 | Fitting, 6-6 | 12 | 1 | 206910 | Spacer |
| 4 | 1 | 206917 | Center Bearing-49" only | 13 | 2 | 684355 | Lockwasher |
| 5 | 2 | 678525 | Clevis Pin | 14 | 2 | 671165 | Upper Bearing |
| 6 | 2 | 672726 | Hairpin Cotter | 15 | 2 | 207209 | Lower Bearing |
| ◆7 | 1 | 675548 | Cylinder Assembly | 16 | 2 | 207578 | Hose |
| 8 | 1 | 675550 | Washer (orifice .085) | □ | 1 | 373137 | Security Mounting |

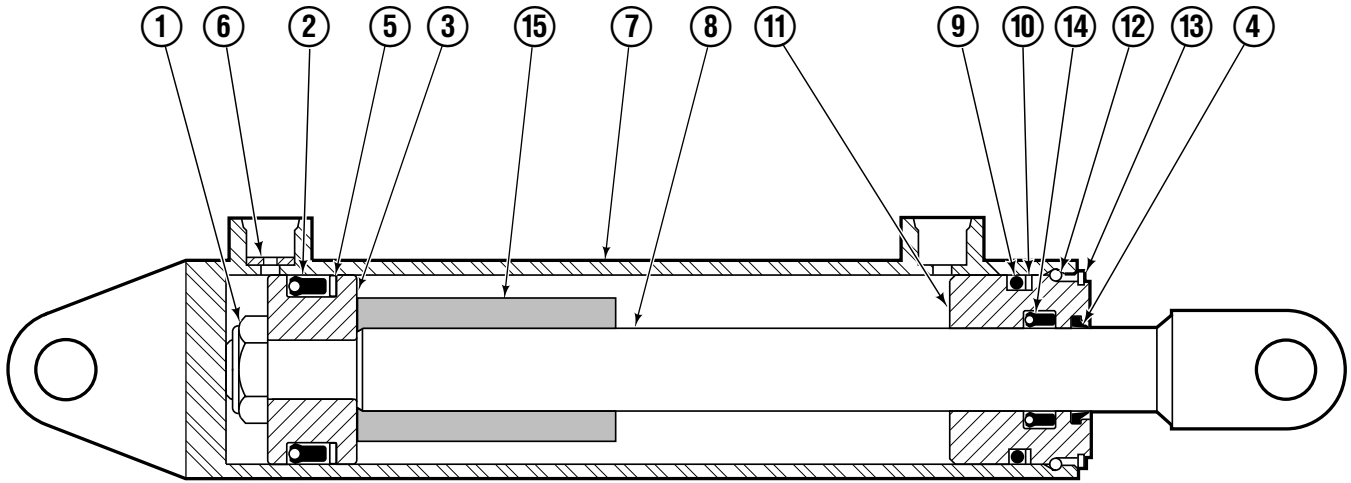
- Carriage width.
- Includes items 2 through 17.
- ◆ See Sideshift Cylinder page for parts breakdown.
- See Security Mounting page for parts breakdown.

Security Kit



| REF | QTY | PART NO. | DESCRIPTION |
|-----|-----|----------|-----------------|
| | 1 | 373137 | Security Kit |
| 1 | 4 | 553857 | Nut-Stover |
| 2 | 4 | 667225 | Washer |
| 3 | 4 | 373162 | Capscrew |
| 4 | 4 | 366910 | Int. Tab Washer |
| 5 | 4 | 205666 | Shim Washer |

Sideshift Cylinder

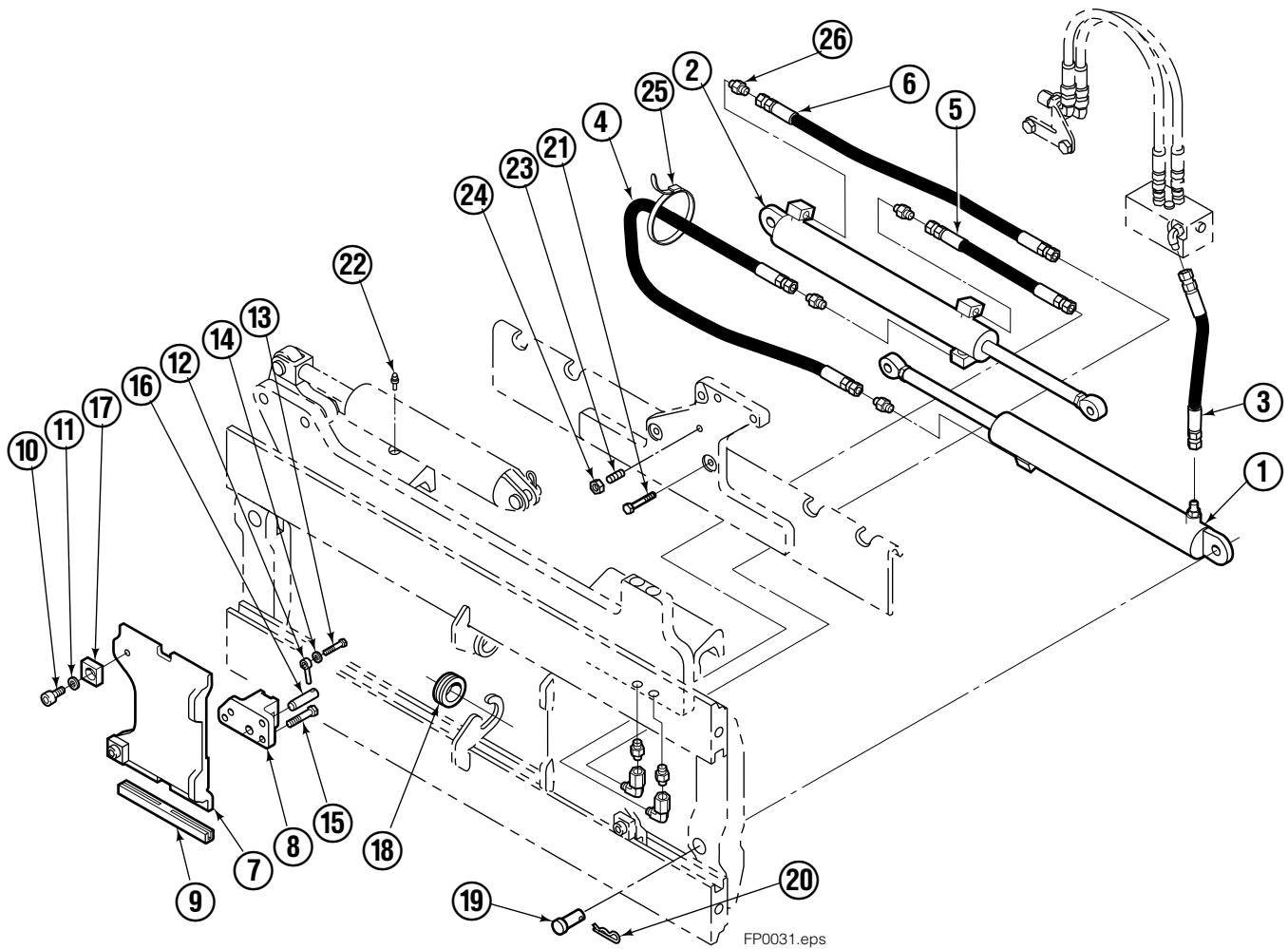


FP0079.ill

| REF | QTY | PART NO. | DESCRIPTION |
|------|-----|----------|-----------------------|
| | | 675548 | Cylinder Assembly |
| 1 | 1 | 553857 | Nut |
| ■ 2 | 1 | 662452 | Seal |
| 3 | 1 | 553501 | Piston |
| ■ 4 | 1 | 636851 | Wiper |
| ■ 5 | 1 | 638247 | Back-up Ring |
| 6 | 1 | 675550 | Washer (orifice .085) |
| 7 | 1 | 675549 | Shell |
| 8 | 1 | 553449 | Rod |
| ■ 9 | 1 | 2785 | O-Ring |
| ■ 10 | 1 | 615128 | Back-up Ring |
| 11 | 1 | 553500 | Retainer |
| 12 | 1 | 553856 | Retaining Ring |
| 13 | 1 | 7202 | Snap Ring |
| ■ 14 | 1 | 641835 | Seal |
| 15 | 1 | --- | Spacer |
| | | 553861 | Service Kit |

■ Included in Service Kit 553861.

Hydraulic/Fork Group



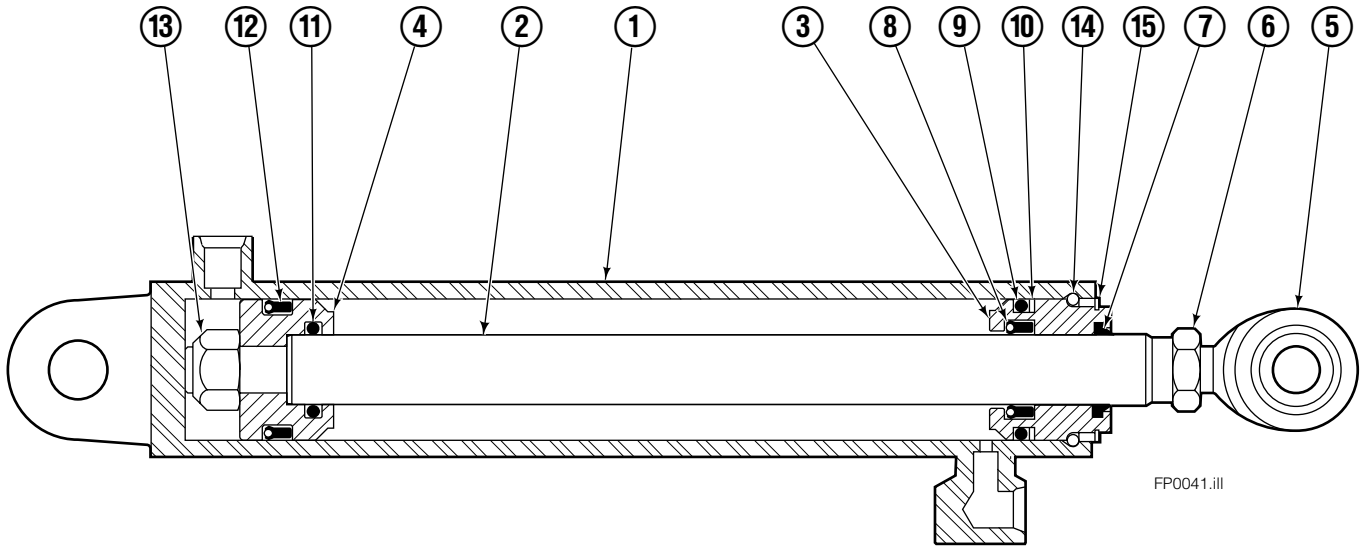
Reference:
BC-101
SK-5981

| 55F | | | | | | | |
|-----|-----|----------|-------------------------------|-----|-----|----------|----------------|
| REF | QTY | PART NO. | DESCRIPTION | REF | QTY | PART NO. | DESCRIPTION |
| | | ●207222 | Hydraulic Group-49" ■ | 13 | 2 | 763169 | Capscrew |
| | | □206912 | Fork Group | 14 | 2 | 680217 | Lockwasher |
| ◆1 | 1 | 583945 | Cylinder Assembly L. H. 49" ■ | 15 | 8 | 206924 | Capscrew |
| ▼2 | 1 | 583953 | Cylinder Assembly R. H. 49" ■ | 16 | 2 | 206925 | Pin |
| 3 | 1 | 207298 | Hose-49" ■ | 17 | 4 | 207552 | Block |
| 4 | 1 | 207570 | Hose-49" ■ | 18 | 2 | 206916 | Grommet |
| 5 | 1 | 207565 | Hose | 19 | 2 | 206926 | Clevis Pin |
| 6 | 1 | 207571 | Hose-49" ■ | 20 | 2 | 207210 | Hairpin Cotter |
| 7 | 2 | 207208 | Fork Carrier | 21 | 2 | 768551 | Capscrew |
| 8 | 2 | 206914 | Lug | 22 | 2 | 7403 | Grease Fitting |
| 9 | 4 | 206915 | Bearing | 23 | 1 | 768753 | Setscrew |
| 10 | 4 | 206922 | Capscrew | 24 | 1 | 207211 | Jam Nut |
| 11 | 4 | 678991 | Lockwasher | 25 | 1 | 200008 | Cable Tie |
| 12 | 2 | 206923 | Eyebolt | 26 | 6 | 617915 | Fitting, 4-4 |

- Carriage width.
- ◆ See L.H. Cylinder page for parts breakdown.
- ▼ See R.H. Cylinder page for parts breakdown.

- Includes items 1 through 6.
- Includes items 7 through 26.

Left Hand Cylinder

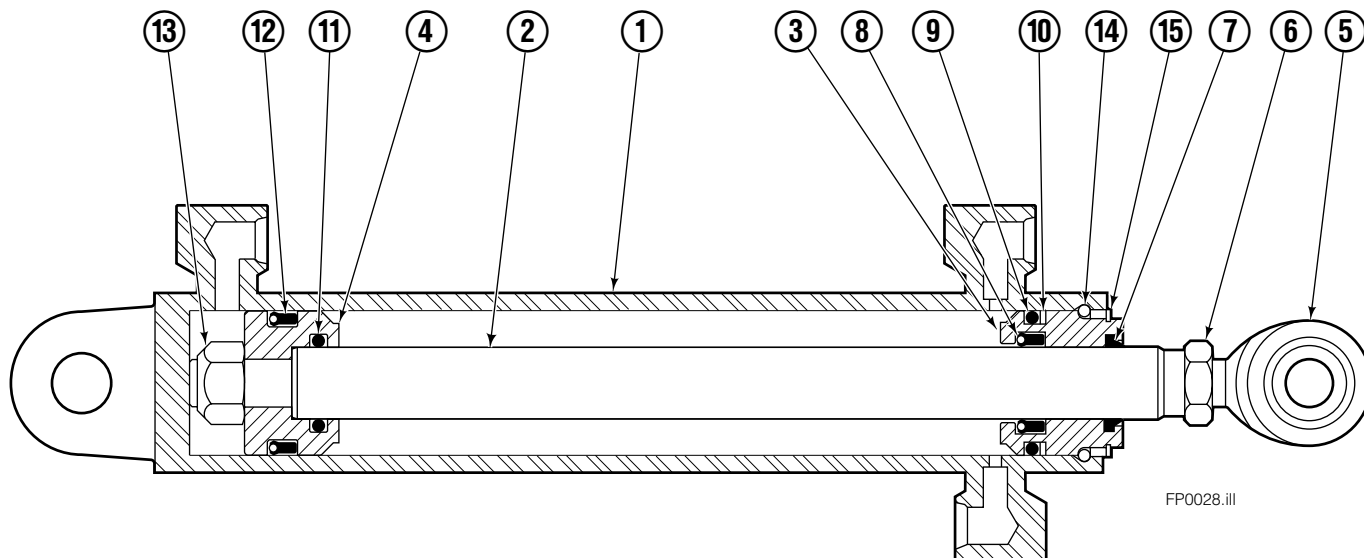


| 55F | | | |
|-----|-----|----------|-------------------|
| REF | QTY | PART NO. | DESCRIPTION |
| | | 583945 | Cylinder Assembly |
| 1 | 1 | 564170 | Shell |
| 2 | 1 | 564186 | Rod |
| 3 | 1 | 685664 | Retainer |
| 4 | 1 | 685665 | Piston |
| 5 | 1 | 564193 | ● Rod End |
| 6 | 1 | 5718 | ● Nut |
| 7 | 1 | 636850 | ● Rod Wiper |
| 8 | 1 | 646540 | ● Rod Seal |
| 9 | 1 | 2718 | ● O-Ring |
| 10 | 1 | 615122 | ● Back-up Ring |
| 11 | 1 | 2710 | ● O-Ring |
| 12 | 1 | 663728 | ● Piston Seal |
| 13 | 1 | 563462 | Piston Nut |
| 14 | 1 | 563916 | Retaining Ring |
| 15 | 1 | 3137 | Snap Ring |
| | | 684827 | Service Kit |

● Included in Service Kit 684827.

Reference: S-6140, S-6141.

Right Hand Cylinder

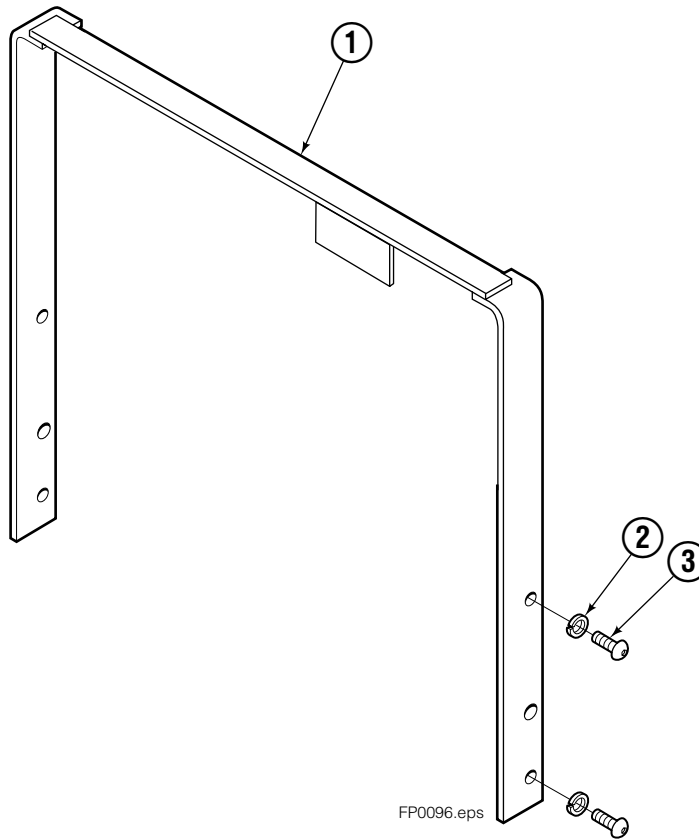


| 55F | | | |
|------------|-----|----------|-------------------|
| REF | QTY | PART NO. | DESCRIPTION |
| | | 583953 | Cylinder Assembly |
| 1 | 1 | 564178 | Shell |
| 2 | 1 | 564186 | Rod |
| 3 | 1 | 685664 | Retainer |
| 4 | 1 | 685665 | Piston |
| 5 | 1 | 564193 | ● Rod End |
| 6 | 1 | 5718 | ● Nut |
| 7 | 1 | 636850 | ● Rod Wiper |
| 8 | 1 | 646540 | ● Rod Seal |
| 9 | 1 | 2718 | ● O-Ring |
| 10 | 1 | 615122 | ● Back-up Ring |
| 11 | 1 | 2710 | ● O-Ring |
| 12 | 1 | 663728 | ● Piston Seal |
| 13 | 1 | 563462 | Piston Nut |
| 14 | 1 | 563916 | Retaining Ring |
| 15 | 1 | 3137 | Snap Ring |
| | | 684827 | Service Kit |

● Included in Service Kit 684827.

Reference: S-6138, S-6139.

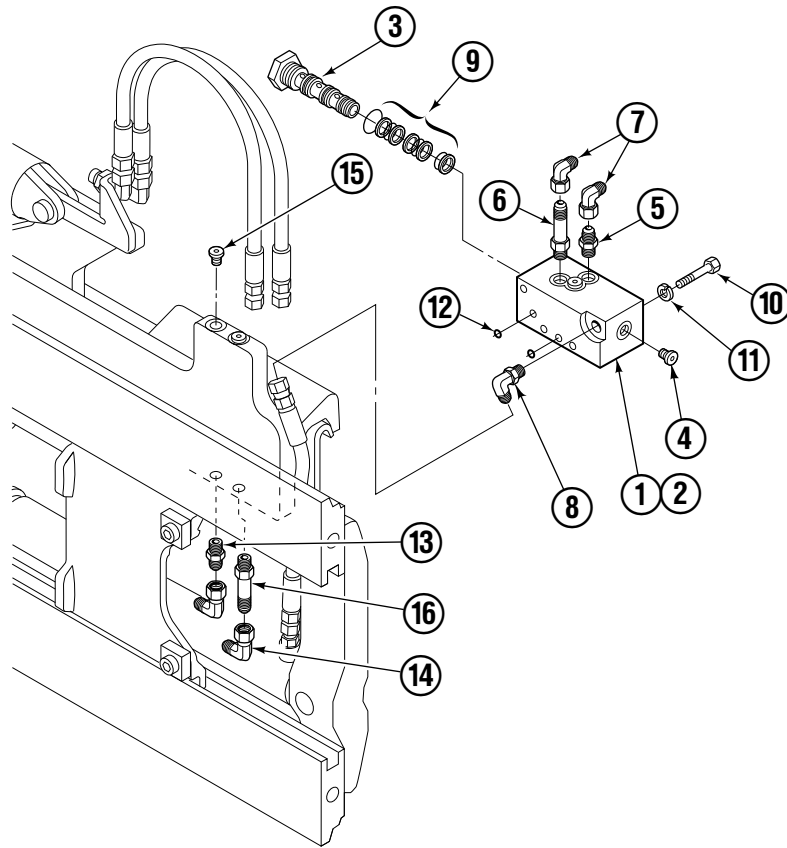
Valve Guard Machined



| 55F | | | |
|------------|-----|----------|----------------------------------|
| REF | QTY | PART NO. | DESCRIPTION |
| 1 | 1 | 383950 | Valve Guard Machined-49"x23.25"■ |
| 2 | 4 | 684586 | Lockwasher |
| 3 | 4 | 200173 | Capscrew |

■ Width by Height.

Flow Divider Group

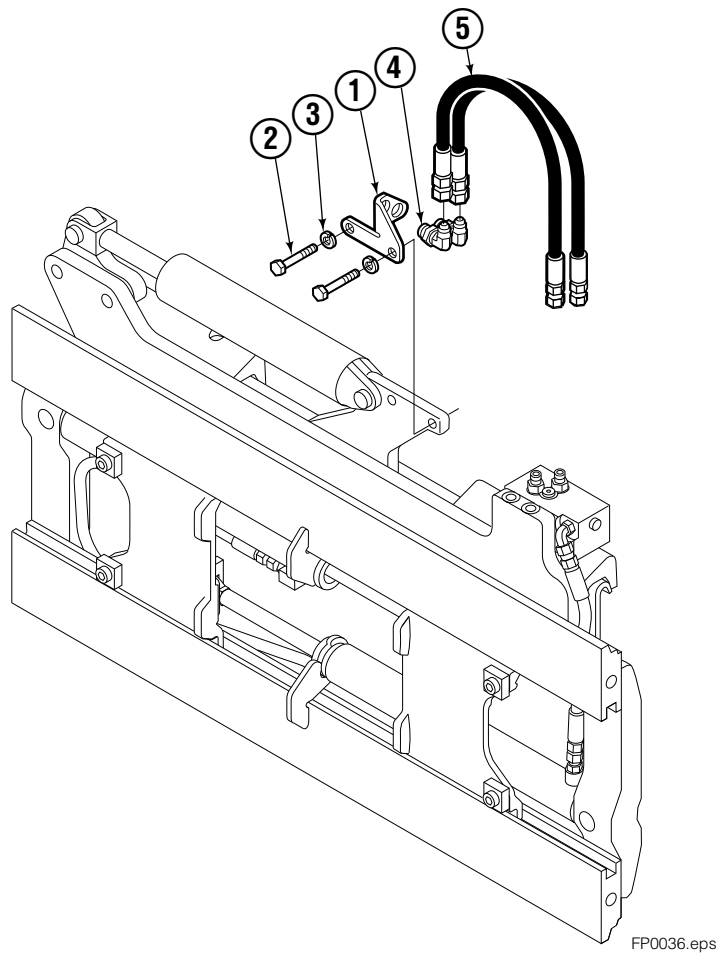


FP0099.iii

| 55F | | | |
|------------|-----|----------|--------------------|
| REF | QTY | PART NO. | DESCRIPTION |
| | | 383951 | Flow Divider Group |
| ● 1 | 1 | ■ 386086 | Valve |
| 2 | 1 | 206918 | Valve Body |
| 3 | 1 | 207301 | Cartridge-Combiner |
| 4 | 2 | 663694 | Fitting, 3 |
| 5 | 2 | 617915 | Fitting, 4-4 |
| 6 | 1 | 617916 | Fitting, 4 |
| 7 | 2 | 617641 | Fitting, 4 |
| 8 | 1 | 617917 | Fitting, 4-4 |
| 9 | 1 | 679992 | Service Kit |
| 10 | 3 | 685105 | Capscrew |
| 11 | 3 | 678993 | Lockwasher |
| 12 | 2 | 207300 | O-Ring |
| 13 | 6 | 617915 | Fitting, 4-4 |
| 14 | 2 | 617641 | Fitting, 4-4 |
| 15 | 2 | 609234 | Fitting, 4-4 |
| 16 | 1 | 617916 | Fitting, 4-4 |

■ Includes items 1 through 9.

Standard Installation Group



| REF | QTY | PART NO. | DESCRIPTION |
|-----|-----|----------|----------------------|
| | | 207342 | Installation Group |
| 1 | 1 | 207314 | Bracket |
| 2 | 2 | 762899 | Capscrew, M10X20-8.8 |
| 3 | 2 | 681238 | Lockwasher |
| 4 | 2 | 2453 | Fitting, 8-8 |
| 5 | 2 | 207578 | Hose |

Do you have questions you need answered right now? Call your nearest Cascade Parts Department.

Cascade Corporation
2501 Sheridan Avenue
Springfield, OH 45505
Tel: 888-CASCADE (227-2233)
FAX: 888-329-0234
www.cascorp.com

Cascade Canada Inc.
5570 Timberlea Blvd.
Mississauga, Ontario
Canada L4W-4M6
Tel: 905-629-7777
FAX: 905-629-7785

Cascade GmbH
D-41199 Monchengladbach
Klosterhofweg 52
Germany
Tel: 21-66-602091
FAX: 21-66-680947

Cascade Finland
01370 Vantas
Finland
Tel: 358-0-836-1925
FAX: 358-0-836-1935

**Cascade N.V.
European Headquarters**
P.O. Box 3009
1300 El Almere
Damsluisweg 56
1332 ED Almere
The Netherlands
Tel: 31-36-5492911
FAX: 31-36-5492964

**Cascade N.V.
Benelux Sales and Service**
P.O. Box 3009
1300 El Almere
Damsluisweg 56
1332 ED Almere
The Netherlands
Tel: 31-36-5492950
FAX: 31-36-5492974

Cascade (UK) Ltd.
15, Orgreave Crescent
Dore House Industrial Estate
Handsworth
Sheffield S13 9NQ
England
Tel: 742-697524
FAX: 742-695121

**Cascade Scandinavia
Hydraulik A.B.**
Muskötgatan 19, E8-9
S25466 Helsingborg
Sweden
Tel: 42-151135
FAX: 42-152997

Cascade Norway
Østerliveien 37A
1153 Oslo
Norway
Tel: 47-22-743160
FAX: 47-22-743157

Cascade France S.A.R.L.
11, Rue Jean Charcot
Zone Industrielle Sud or
B.P. 22
91421 Morangis Cedex
France
Tel: 1- 64547501
FAX: 1-9790584

Cascade Hispania S.A.
Avenida De La Fabregada, 7
Hospitalet De Llobregat
Barcelona
Spain
Tel: 3-335-5158
FAX: 3-335-4756

Cascade Japan Ltd.
5-5-41,
Torikai Kami
Settsu, Osaka
Japan, 566
Tel: 81-726-53-3490
FAX: 81-726-53-3497

Cascade Korea
Room 508, Pum Yang Bldg.
750-14, Bang Bac-Dong
Se-Cho Ku, Seoul
Korea
Tel: 2599-7131 ext. 512
FAX: 2533-8089

HYCO-Cascade Pty. Ltd.
1445 Ipswich Road
Rocklea,
Queensland 4107
Australia
Tel: 3-274-2722
FAX: 3-274-3456

HYCO-Cascade (NZ) Ltd.
15 Ra Ora Drive, East Tamaki
P.O. Box 38-440
Howick, Auckland
New Zealand
Tel: 9-273-9136
FAX: 9-273-9137

Cascade (Africa) Pty. Ltd.
P.O. Box 625, Isando 1600
60A Steel Road
Sparton, Kempton Park
South Africa
Tel: 975-9240
FAX: 394-1147

Cascade-Xiamen
Wanshan No. 1 Workshop
Huli Road
Xiamen 361006
Fujian, PRC
Tel: 592-562-4600
FAX: 592-562-4671

**Cascade (Singapore)
Trading Co.**
Four Seasons Park
Autumn Block - Apt. 1802
12 Cascaden Walk
Singapore
Tel: 65-834-1935
FAX: 65-834-1936

