



# Parts Manual

---

Model Visionary Multi-Load Handler

Serial Number 55E-FD-175

---

**cascade**<sup>®</sup>

For Technical Assistance and to Order Parts . . .

Call: 1-800-CASCADE or 503-669-6300

OR

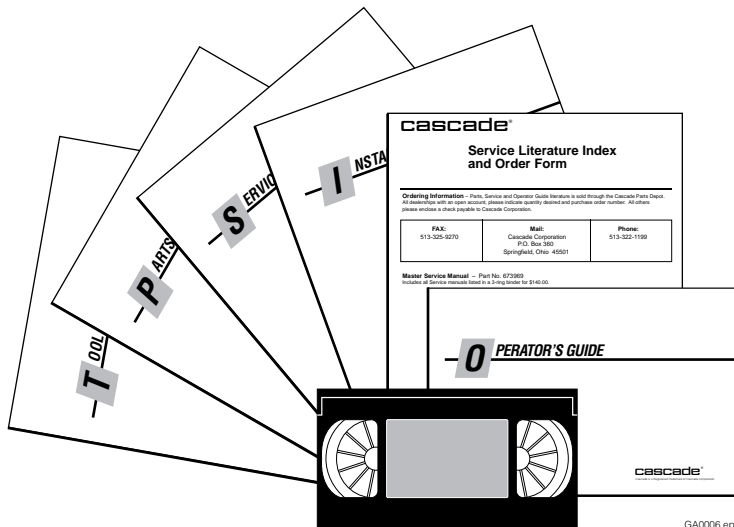
Write: Cascade Corporation, P.O. Box 20187, Portland, OR 97294-0187

# Decals



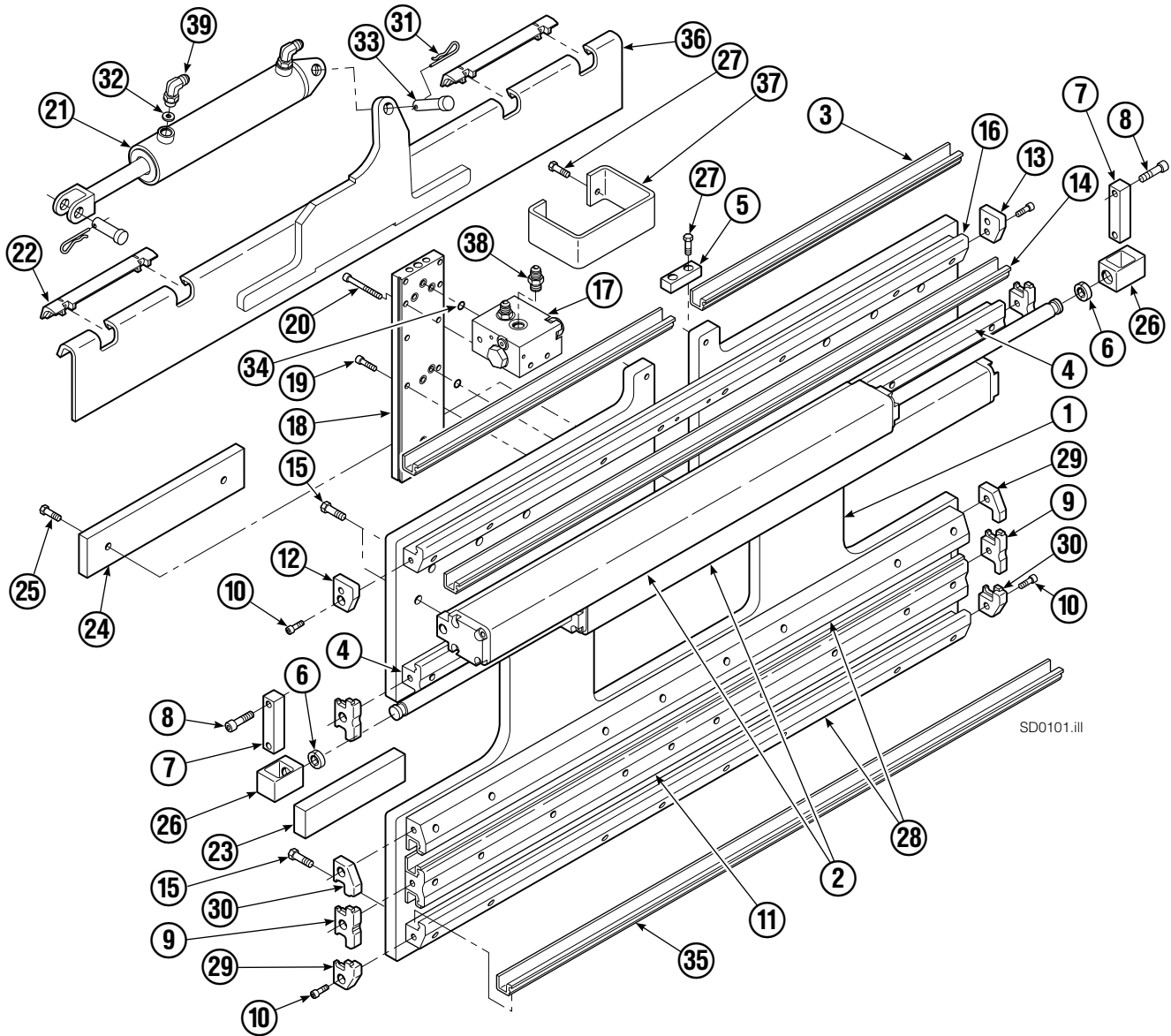
55E			
REF	QTY	PART NO.	DESCRIPTION
1	6	665595	No Hand Hold Decal
2	4	679150	No Step Decal

# Publications



55E	
PART NO.	DESCRIPTION
	Parts Manual
213580	Operator's Guide
213372	Installation Instructions
679929	Tool Catalog
673964	Literature Index Order Form

# Base Unit Group – ITA Class III

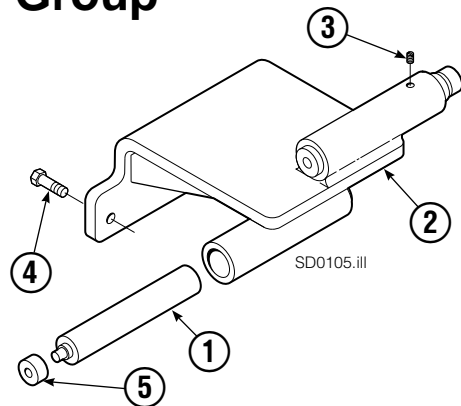


SD0101.iii

## Inner Fork Control Group

55E			
REF	QTY	PART NO.	DESCRIPTION
		214046	Inner Fork Control Group ▼
1	2	213853	Gas Spring
2	1	213852	Actuator Bracket
3	2	5134	Setscrew
4	3	767810	Capscrew, M12 x 25
5	2	214043	Rod End

▼ Included in Base Unit Group 214644.



SD0105.iii

# Base Unit Group – ITA Class III

55E			
REF	QTY	PART NO.	DESCRIPTION
		214644▼	Base Unit Group – Class III
1	1	214047	Baseplate Class – III
2	2	214622	Frame Cylinder ★
3	2	4730-0470	Bearing Segment
4	2	214629	T-Bar – Upper
5	1	212723	Fork Stop

▼ Includes Inner Fork Control Group 214046.

## Common Parts

REF	QTY	PART NO.	DESCRIPTION	REF	QTY	PART NO.	DESCRIPTION
6	4	210490	Retainer Half Ring ■	23	2	208350	Lower Bearing
7	2	210489	Rod End Anchor ■	24	1	212740	Spacer Block
8	4	768303	Capscrew, M10 x 35 ■	25	2	767615	Capscrew, M10 x 25
9	4	210140	Bearing Retainer	26	2	209741	Rod End ■
10	10	787375	Capscrew, M8 x 20 GR 8.8	27	4	684649	Capscrew, M10 x 25
11	1	214631	T-Bar – Lower	28	2	214633	T-Bar – Lower
12	1	211380	Retainer/Stop – RH	29	2	212585	Bearing Retainer
13	1	211379	Retainer/Stop – LH	30	2	212586	Bearing Retainer
14	4	4730-1050	Bearing Segment	31	2	672726	Cotter Pin
15	50	211689	Capscrew, M12 x 30 GR 10.9	32	1	675550	Washer
16	1	214635	T-Bar – Upper	33	2	678525	Clevis Pin
17	1	212566	Valve Assembly ▲	34	7	214053	O-Ring
18	1	211456	Manifold	35	4	4730-1040	Bearing Segment
19	6	768208	Capscrew, M8 x 25	36	1	211371	Anchor Bracket
20	4	768795	Capscrew	37	1	212741	Valve Guard
21	1	675548	Sideshift Cylinder ●	38	2	604511	Fitting, 6-6
22	2	672018	Upper Bearing	39	2	601676	Fitting, 6-6

★ See Frame Cylinder page for parts breakdown.

▲ See Valve Assembly – Class III page for parts breakdown.

■ Included in Cylinder Rod Anchor Kit 213856.

● See Sideshift Cylinder page for parts breakdown.

Reference: SK-6131.

# Cylinder

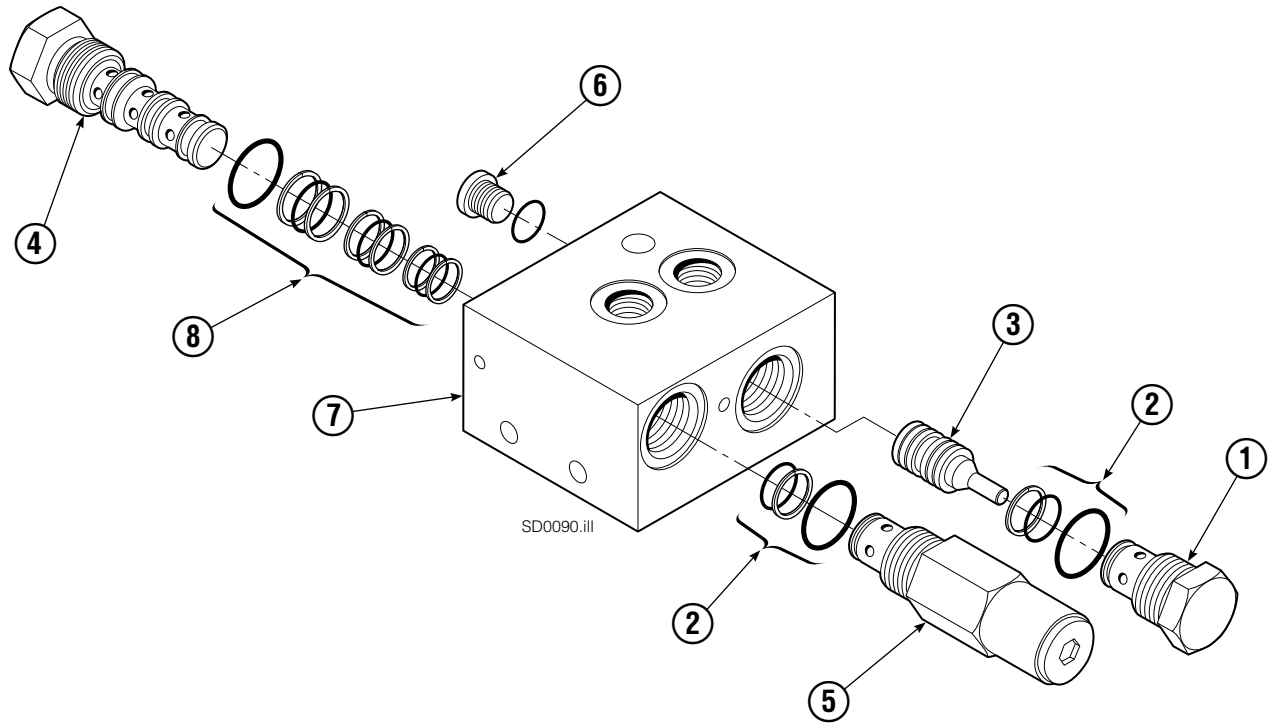


REF	QTY	PART NO.	DESCRIPTION	REF	QTY	PART NO.	DESCRIPTION
		214622	Cylinder Assembly	8	2	210053	O-Ring ▲
1	1	214623	Cylinder/Shell	9	2	210050	Back-Up Ring ▲
2	1	4157-825	Rod	10	1	212477	Seal ▲
3	1	213783	Cap	11	1	209808	Seal ▲
4	8	768208	Capscrew, M8 x 25	12	2	214053	O-Ring ▲
5	1	209809	Bearing ▲	13	1	562131	Wiper ▲
6	1	787375	Capscrew, M8 x 20			210090	Service Kit
7	1	212452	Retainer				

▲ Included in Service Kit 210090.

Reference: S-4644, S-4643.

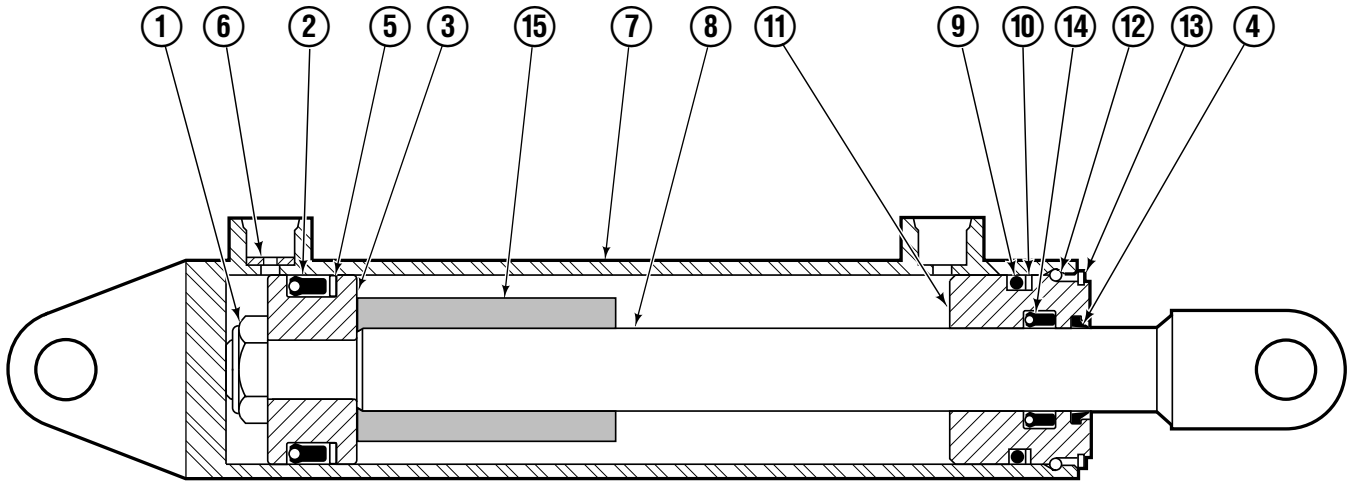
# Valve ITA Class III



55E			
REF	QTY	PART NO.	DESCRIPTION
		212566	Valve Assembly
1	1	209847	Check Valve
2	2	682170	Service Kit ▲
3	1	210265	Piston
4	1	210266	Flow Divider/Combiner
5	1	213535	Crossover Relief Valve
		609234	Fitting, 4
7	1	211454	Valve Body
8	1	679992	Service Kit ▲
		213604	Valve Service Kit

▲ Included in Valve Service Kit 213604.

# Sideshift Cylinder

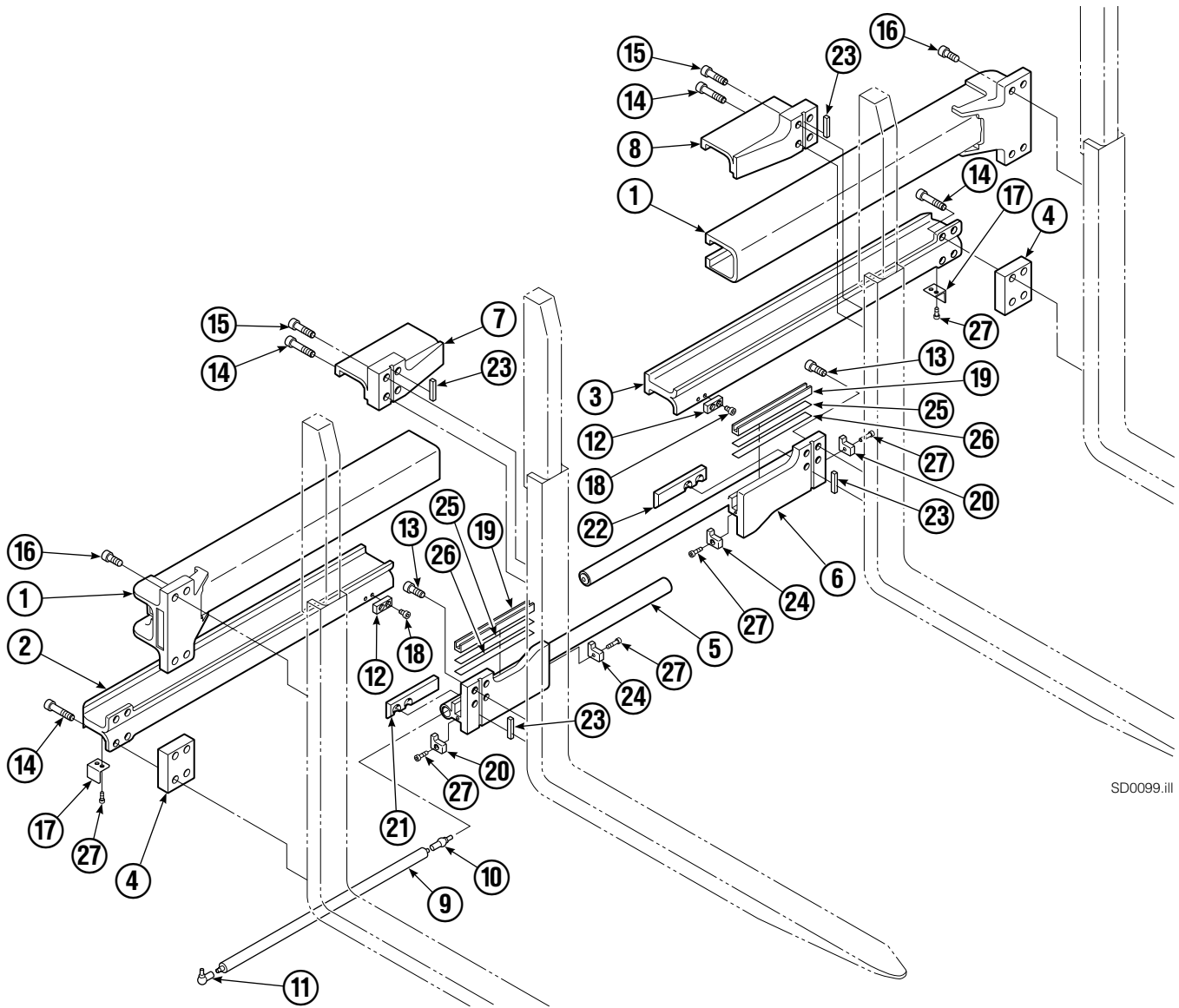


FP0079.ill

REF	QTY	PART NO.	DESCRIPTION
		675548	Cylinder Assembly
1	1	553857	Nut
■ 2	1	662452	Seal
3	1	553501	Piston
■ 4	1	636851	Wiper
■ 5	1	638247	Back-up Ring
6	1	675550	Washer (orifice .085)
7	1	675549	Shell
8	1	553449	Rod
■ 9	1	2785	O-Ring
■ 10	1	615128	Back-up Ring
11	1	553500	Retainer
12	1	553856	Retaining Ring
13	1	7202	Snap Ring
■ 14	1	641835	Seal
15	1	---	Spacer
		553861	Service Kit

■ Included in Service Kit 553861.

# Arm Group



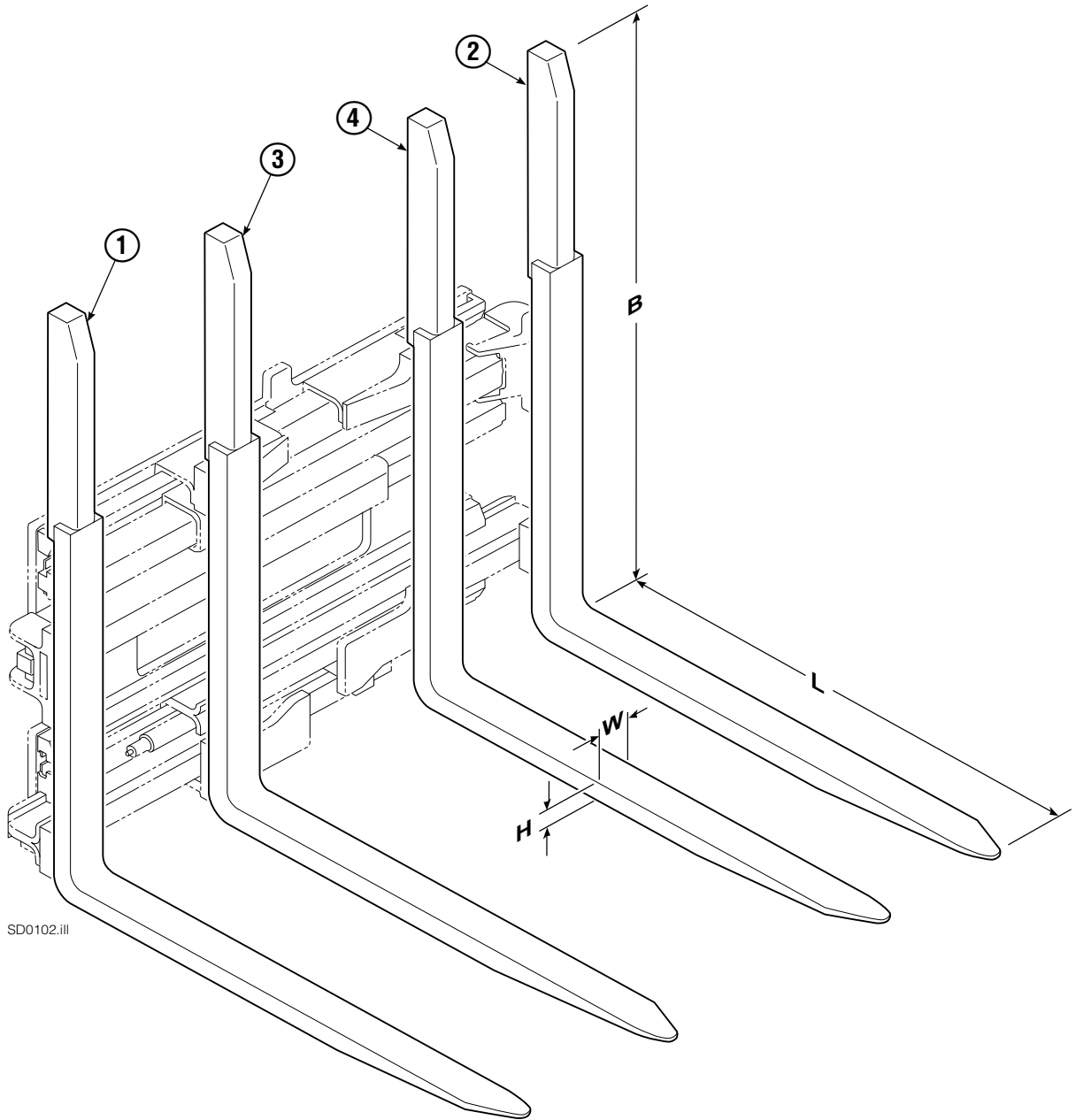
SD0099.ill

55E							
REF	QTY	PART NO.	DESCRIPTION	REF	QTY	PART NO.	DESCRIPTION
		212583	Arm Group	14	12	769578	Capscrew, M16 x 60
1	2	4316-0819	Upper Arm Bar	15	4	769577	Capscrew, M16 x 50
2	1	213008	Lower Arm Bar - RH	16	8	769573	Capscrew, M16 x 30
3	1	213007	Lower Arm Bar - LH	17	2	213022	Guard
4	2	210587	Spacer	18	4	213023	Capscrew, M10 x 16
5	1	212994	Lower Hook - RH	19	2	4501-0222	Bearing Segment
6	1	212997	Lower Hook - LH	20	2	212979	Bearing Retainer
7	1	211384	Upper Hook - RH	21	1	212682	Bearing - RH
8	1	211383	Upper Hook - LH	22	1	213899	Bearing - LH
9	2	212683	Gas Spring ▲	23	4	213364	Key
10	2	213011	Ball Joint ▲	24	2	213360	Bearing Retainer
11	2	213012	Ball Joint ▲	25	4	212559	Shim, .04 in. (.1 mm)
12	2	212687	Lower Fork Stop	26	4	213913	Shim, .020 in. (.5 mm)
13	8	769574	Capscrew, M16 x 35	27	8	787375	Capscrew, M8 x 20

▲ Included in Gas Spring Kit 213855.

Reference: SK-6116.

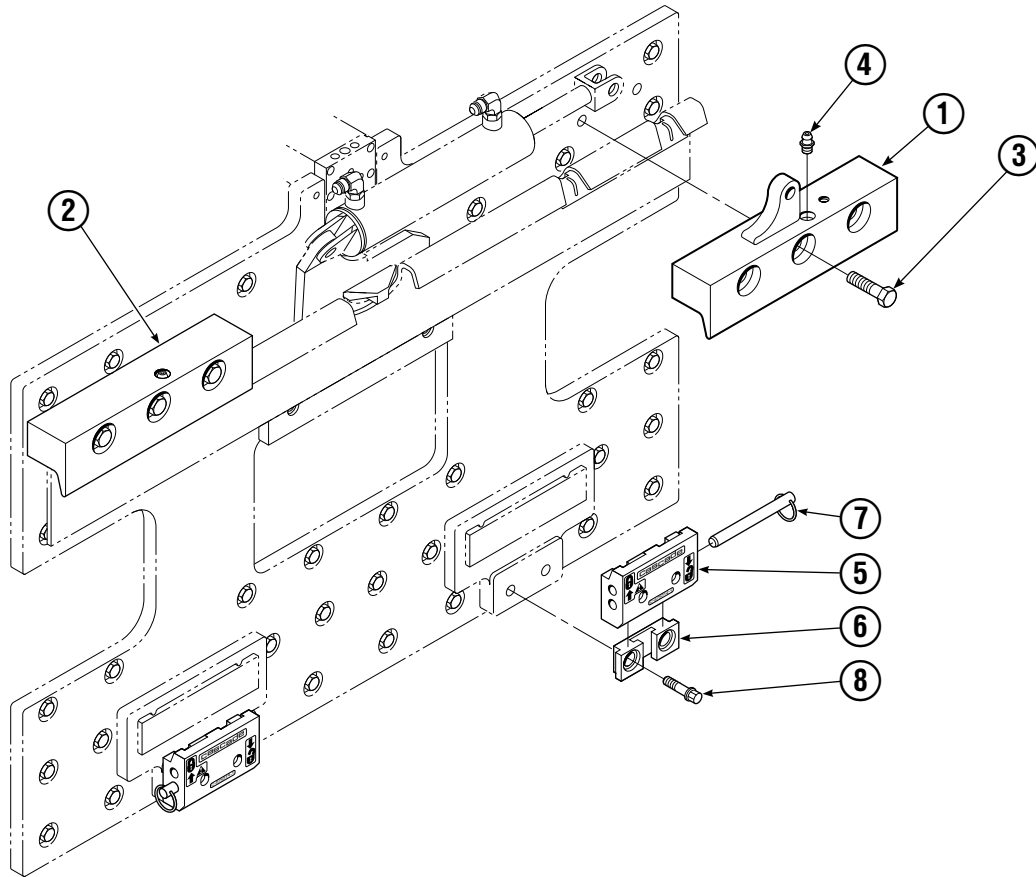
# Tube Backrest/Fork Group



SD0102.iii

55E								
SIZE (IN.)				FORK GROUP PART NO.	REF 1	REF 2	REF 3	REF 4
L	W	H	B		Outer Fork-RH	Outer Fork-LH	Inner Fork-RH	Inner Fork-LH
48.8	3.2	1.8	48	391328	391351	391350	391354	391352

# Mounting Group ITA Class III



SD0097.iii

55E			
REF	QTY	ITA III	DESCRIPTION
		PART NO.	
		212574	Upper Hook Group ▲
		683181	Lower Hook Group ★
1	1	211375	Upper Hook - RH
2	1	210592	Upper Hook - LH
3	6	796631	Cap screw, M16x65
4	2	7403	Grease Fitting
5	2	675957	Lower Hook
6	2	675958	Guide
7	2	678832	Pin
8	4	779019	Cap screw

▲ Includes items 1, 2, & 3.

★ Includes items 5, 6, 7, & 8.

Reference: SK-6116.

**Do you have questions you need answered right now?** Call your nearest Cascade Parts Department.

**Cascade Corporation**

2201 NE 201st  
Troutdale, OR 97060  
Tel: 1-800-CAS-CADE  
503-669-6300  
FAX: 503-669-6338

**Cascade Canada Inc.**

5570 Timberlea Blvd.  
Mississauga, Ontario  
Canada L4W-4M6  
Tel: 905-629-7777  
FAX: 905-629-7785

**Cascade GmbH**

D-41199 Monchengladbach  
Klosterhofweg 52  
Germany  
Tel: 21-66-602091  
FAX: 21-66-680947

**Cascade N.V.**

Kirkkokatu 1  
48100 Kotka  
Finland  
Tel: 52-184393  
FAX: 52-184833

**Cascade N.V.  
European Headquarters**

P.O. Box 3009  
1300 El Almere  
Damsluisweg 56  
1332 ED Almere  
The Netherlands  
Tel: 31-36-5492911  
FAX: 31-36-5492964

**Cascade N.V.  
Benelux Sales and Service**

P.O. Box 3009  
1300 El Almere  
Damsluisweg 56  
1332 ED Almere  
The Netherlands  
Tel: 31-36-5492950  
FAX: 31-36-5492974

**Cascade (UK) Ltd.**

15, Orgreave Crescent  
Dore House Industrial Estate  
Handsworth  
Sheffield S13 9NQ  
England  
Tel: 742-697524  
FAX: 742-695121

**Cascade Scandinavia  
Hydraulik A.B.**

Muskötgatan 19, E8-9  
S25466 Helsingborg  
Sweden  
Tel: 42-151135  
FAX: 42-152997

**Cascade France S.A.R.L.**

11, Rue Jean Charcot  
Zone Industrielle Sud or  
B.P. 22  
91421 Morangis Cedex  
France  
Tel: 1- 64547500  
FAX: 1-64547501

**Cascade Hispania S.A.**

Avenida De La Fabregada, 7  
Hospitalet De Llobregat  
Barcelona  
Spain  
Tel: 3-335-5158  
FAX: 3-335-4756

**Cascade Japan Ltd.**

5-5-41,  
Torikai Kami  
Settsu, Osaka  
Japan, 566  
Tel: 81-726-53-3490  
FAX: 81-726-53-3497

**Cascade Korea**

Room 508, Pum Yang Bldg.  
750-14, Bang Bac-Dong  
Se-Cho Ku, Seoul  
Korea  
Tel: 2599-7131 ext. 512  
FAX: 2533-8089

**HYCO-Cascade Pty. Ltd.**

87 Antimony Street  
Carole Park,  
Brisbane 4300  
Australia  
Tel: 7-271-1966  
FAX: 7-271-3830

**HYCO-Cascade (NZ) Ltd.**

23 Haseler Crescent  
P.O. Box 38-440  
Howick, Auckland  
New Zealand  
Tel: 9-273-9136  
FAX: 9-273-9137

**Cascade (Africa) Pty. Ltd.**

P.O. Box 625, Isando 1600  
60A Steel Road  
Sparton, Kempton Park  
South Africa  
Tel: 975-9240  
FAX: 394-1147

**Cascade-Xiamen**

Wanshan No. 1 Workshop  
Huli Road  
Xiamen 361006  
Fujian, PRC  
Tel: 592-562-4600  
FAX: 592-562-4671

**Sunstream Industries**

**PTE Ltd.**

No. 3 Tuas Link 1  
Singapore 2263  
Tel: 863-3488  
FAX: 863-1368

