



Parts Manual

Model Single-Double Pallet Handler

Serial Number 55E-FDS-1358

cascade[®]
corporation

For Technical Assistance call: 800-227-2233, Fax: 888-329-8207

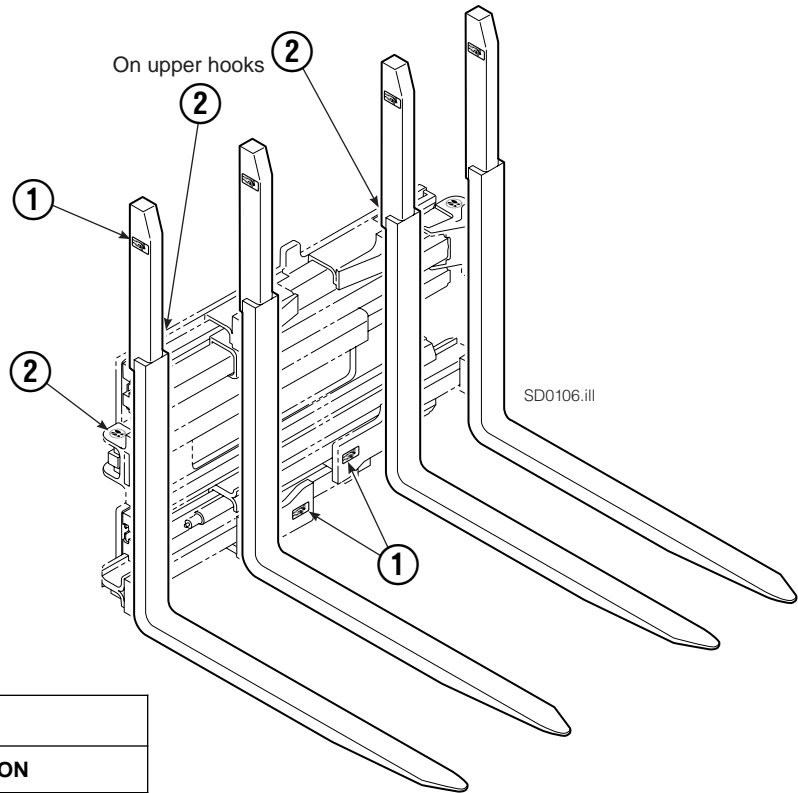
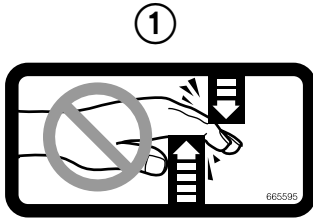
To Order Parts call: 888-227-2233, Fax: 888-329-0234

OR

Write: Cascade Corporation, P.O. Box 20187, Portland, OR 97220

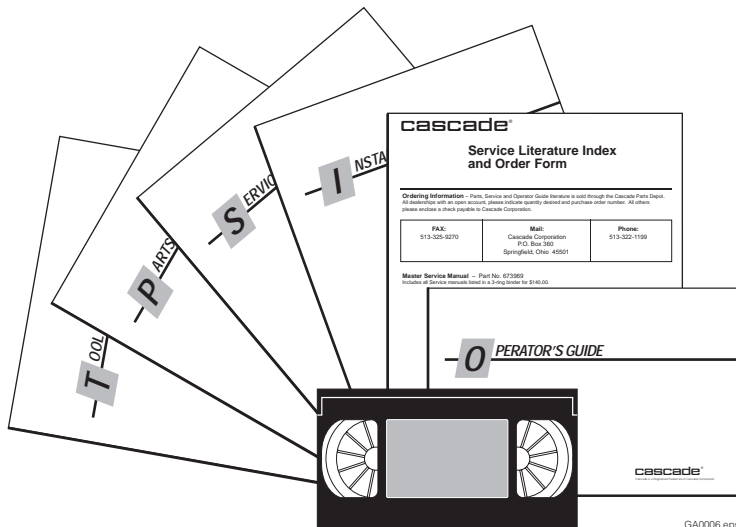
Internet: www.cascorp.com

Decals



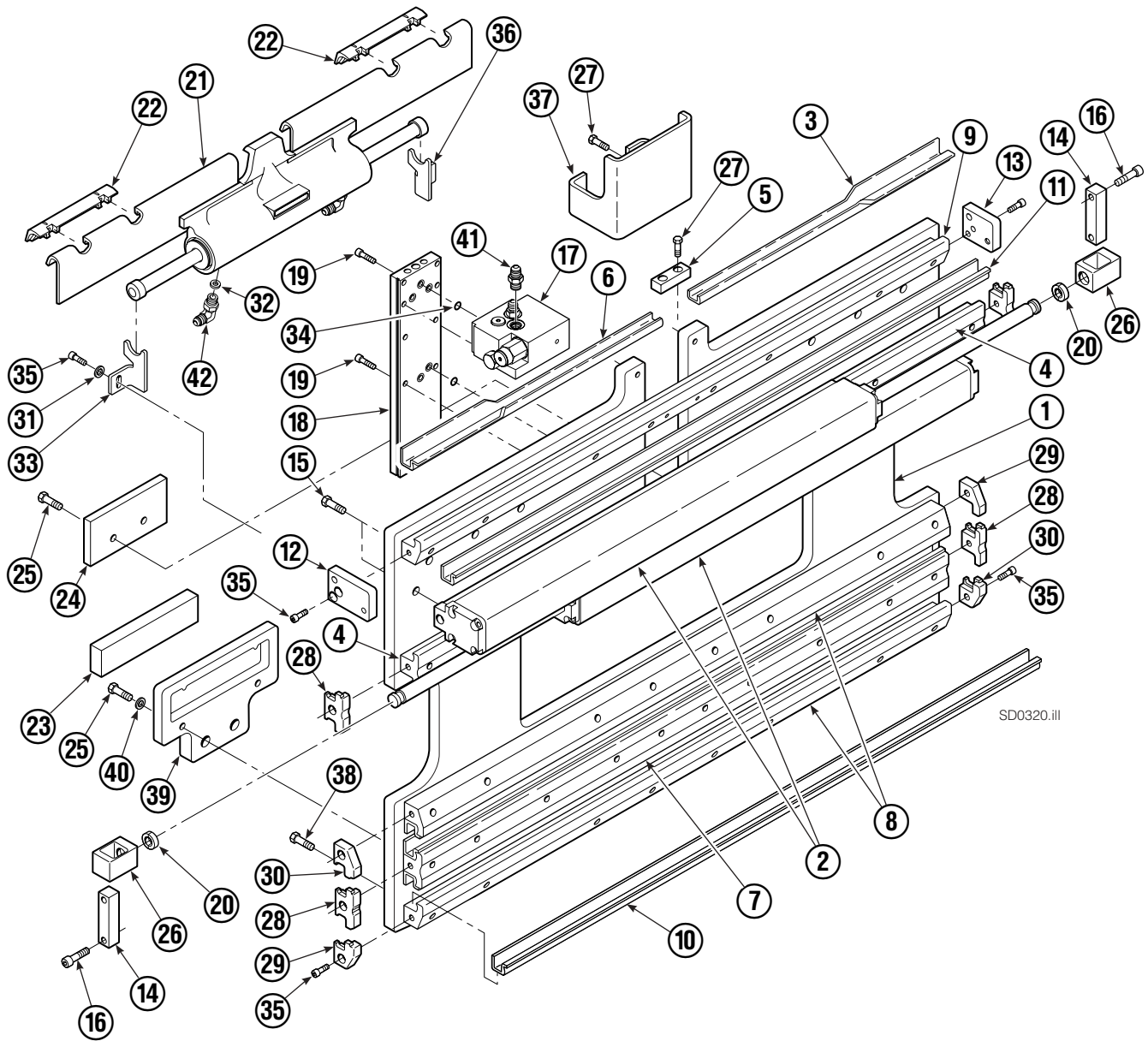
55E			
REF	QTY	PART NO.	DESCRIPTION
1	6	665595	No Hand Hold Decal
2	4	679150	No Step Decal

Publications



55E	
PART NO.	DESCRIPTION
214269	Parts Manual
213580	Operator's Guide
213372	Installation Instructions
679929	Tool Catalog
673964	Literature Index Order Form

Base Unit Group – ITA Class III



Base Unit Group – ITA Class III

55E			
REF	QTY	PART NO.	DESCRIPTION
		6112620	Base Unit Group – Class III
1	1	6105321	Baseplate
2	2	214626	Frame Cylinder ★
3	1	4786-0583	Bearing Segment – LH
4	2	214630	T-Bar – Upper
5	1	212722	Fork Stop
6	1	4787-0583	Bearing Segment – RH
7	1	214632	T-Bar – Lower
8	2	214634	T-Bar – Lower
9	1	214636	T-Bar – Upper
10	4	4730-1070	Bearing Segment
11	4	4730-1080	Bearing Segment

★ See Frame Cylinder page for parts breakdown.

Common Parts

REF	QTY	PART NO.	DESCRIPTION	REF	QTY	PART NO.	DESCRIPTION
		6110805	Common Parts Group	27	4	684649	Capscrew, M10 x 25
12	1	211380	Retainer/Stop – RH	28	4	210140	Bearing Retainer
13	1	211379	Retainer/Stop – LH	29	2	212585	Bearing Retainer
14	2	210489	Rod End Anchor ■	30	2	212586	Bearing Retainer
15	22	211689	Capscrew, M12 x 30	31	2	787398	Washer
16	4	768303	Capscrew, M10 x 35 ■	32	2	564226	Restrictor Washer
17	1	216838	Valve Assembly ▲	33	1	213737	Bracket – RH
18	1	211456	Manifold	34	7	214053	O-Ring
19	10	768208	Capscrew, M8 x 25	35	12	787375	Capscrew, M8 x 20 GR 8.8
20	4	210490	Retainer Half Ring ■	36	1	213736	Bracket – LH
21	1	6105189	Sideshift Cylinder ●	37	1	6007050	Valve Guard
22	2	672018	Upper Bearing	38	30	214487	Capscrew, M12 x 40
23	2	208350	Lower Bearing	39	2	215226	Hanger
24	2	212709	Spacer Block	40	4	787383	Lockwasher, M10
25	8	767615	Capscrew, M10 x 25	41	2	604511	Fitting, 6-6 ◆
26	2	209741	Rod End ■	42	2	601676	Fitting, 6-6 ◆

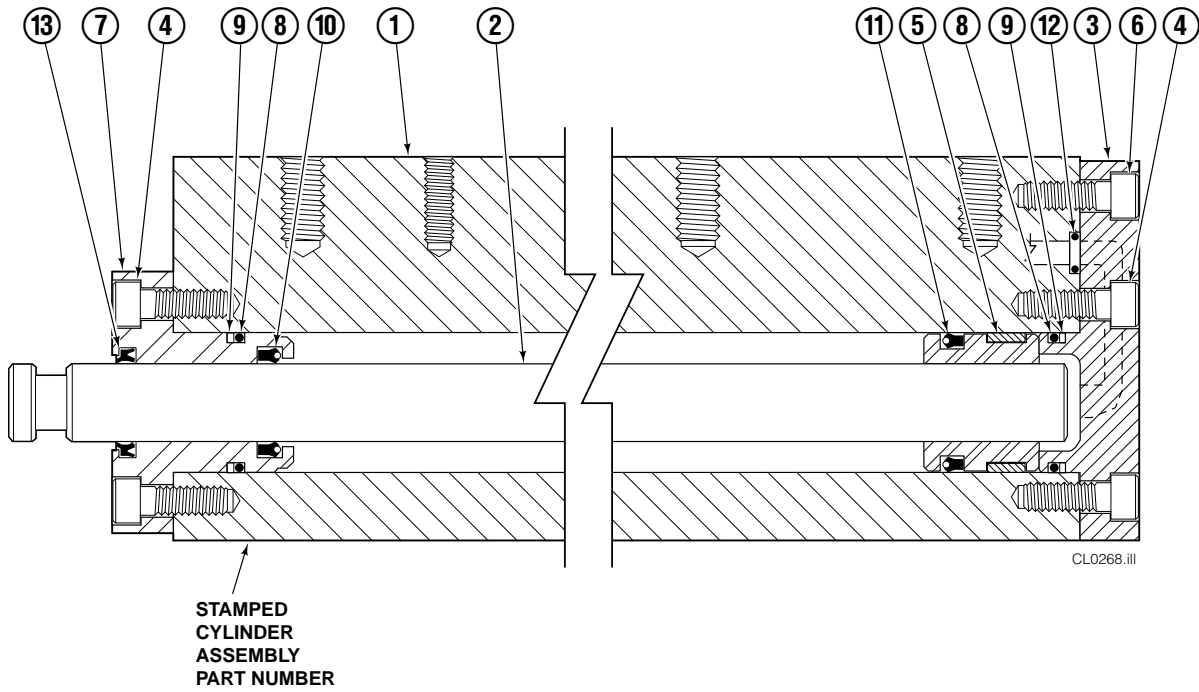
▲ See Valve Assembly page for parts breakdown.

● See Sideshift Cylinder page for parts breakdown.

■ Included in Cylinder Rod Anchor Kit 213856.

◆ Included in Fitting Group 213099.

Frame Cylinder



55E			
REF	QTY	PART NO.	DESCRIPTION
		214626	Cylinder Assembly
1	1	214627	Cylinder/Shell
2	1	4157-820	Rod
3	1	213783	End Cap
4	8	768208	Capscrew, M8 x 25
5	1	209809	▲ Bearing
6	1	787375	Capscrew, M8 x 20
7	1	212452	Retainer
8	3	643379	▲ O-Ring
9	2	210050	▲ Back-Up Ring
10	1	212477	▲ Seal
11	1	209808	▲ Seal
12	2	214053	▲ O-Ring
13	1	562131	▲ Wiper
		210090	Service Kit

▲ Included in Service Kit 210090.

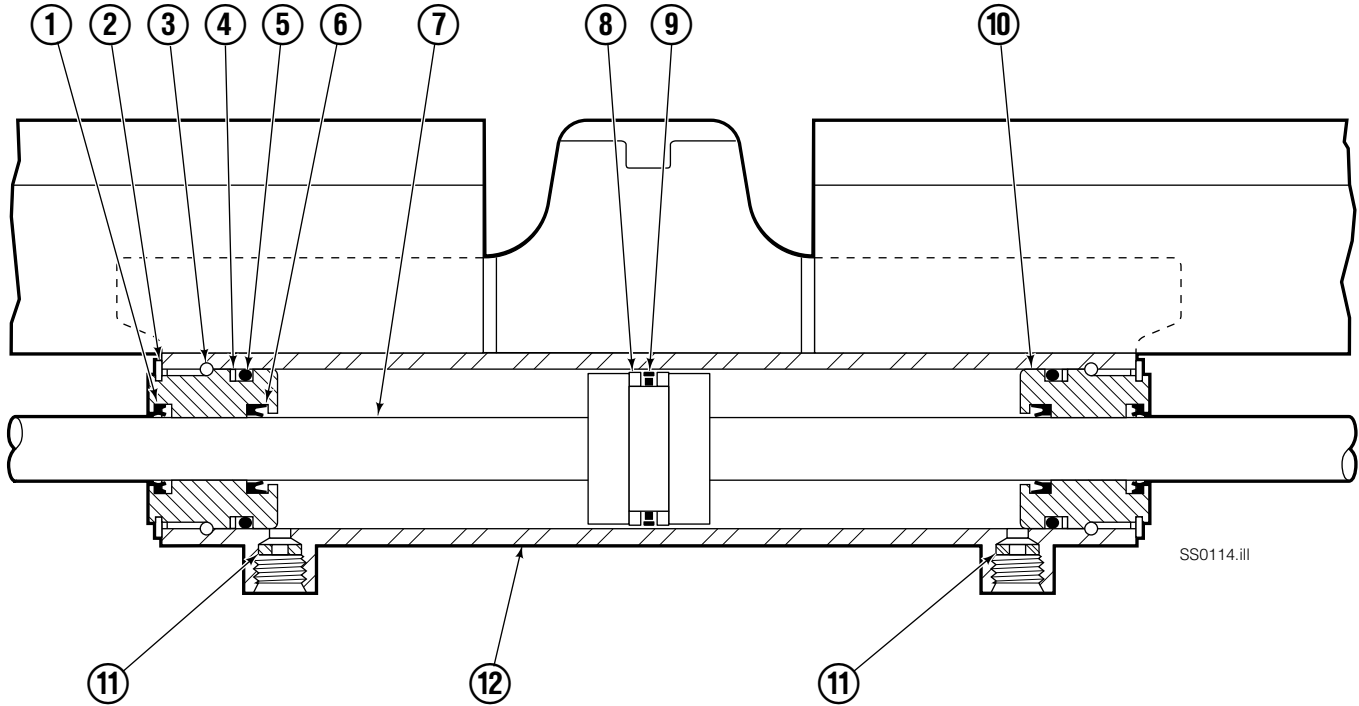
Reference: S-4643, S-4644.

Valve ITA Class III



55E			
REF	QTY	PART NO.	DESCRIPTION
		216838	Valve Assembly
1	1	219039	Check Valve
2	1	—	Service Kit
3	1	609234	Plug
4	1	216839	Valve Body
5	1	213535	Crossover Relief Valve
6	1	682170	Service Kit
7	1	219040	Flow Divider/Combiner
8	1	—	Service Kit

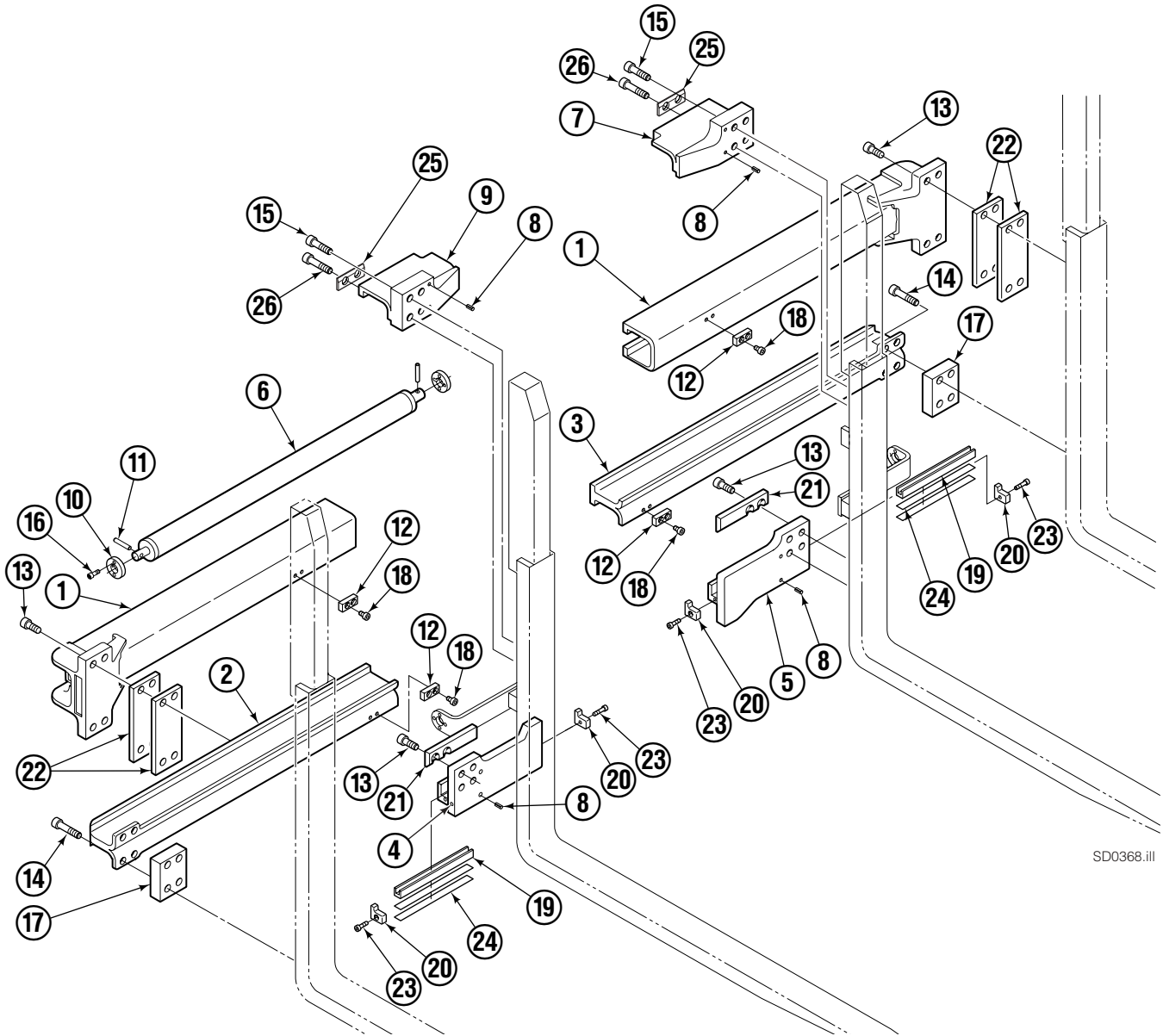
Sideshift Cylinder ITA Class III



55E			
REF	QTY	PART NO.	DESCRIPTION
		6105189	Cylinder Assembly
1	2	562131	● Wiper Seal
2	2	562951	Snap Ring
3	2	562942	Retaining Ring
4	2	563388	● Back-Up Ring
5	2	562127	● O-Ring
6	2	562132	● Rod Seal
7	1	562055	Rod
8	2	563278	● Bearing Ring
9	1	564141	● Piston Seal
10	2	562792	Retainer
11	2	564226	Speed Control Washer ▲
12	-	■	Cylinder Shell
		563487	Service Kit

- Included in Service Kit 563487.
- Not serviceable, order new cylinder assembly.
- ▲ Reference: S-6105, Restrictor Group 205369.

Arm Group

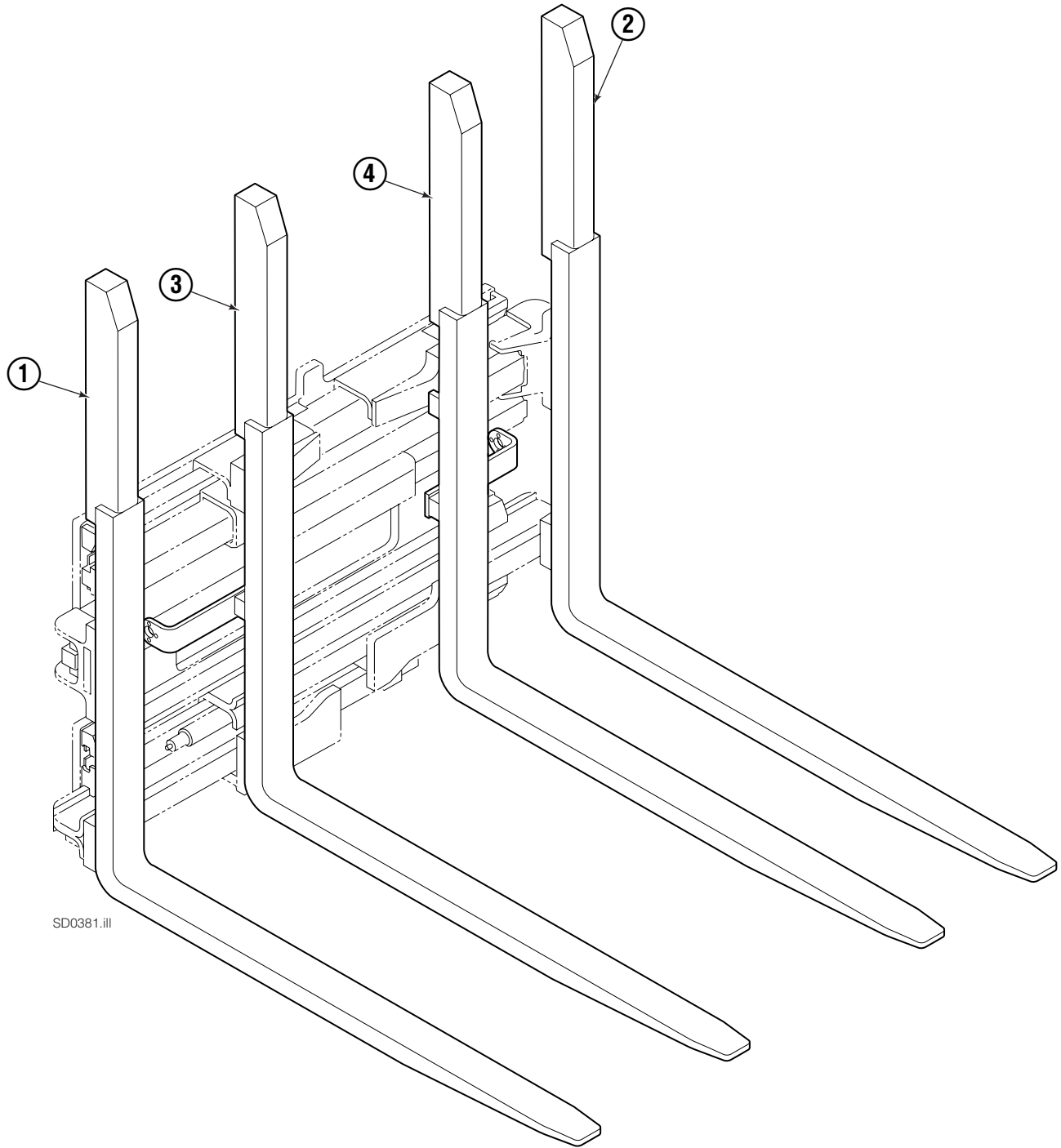


SD0368.III

55E							
REF	QTY	PART NO.	DESCRIPTION	REF	QTY	PART NO.	DESCRIPTION
		6112622	Arm Group	14	8	769578	Capscrew, M16 x 60
1	2	220178	Upper Arm Bar	15	4	769577	Capscrew, M16 x 50
2	1	220212	Lower Arm Bar – RH	16	4	787375	Capscrew, M8 x 20
3	1	220202	Lower Arm Bar – LH	17	2	210587	Spacer
4	1	6110797	Lower Hook – RH	18	8	214414	Capscrew, M10 x 12
5	1	6110796	Lower Hook – LH	19	2	4501-0222	Bearing Segment
6	1	6111962	Spring Cylinder	20	4	225345	Bearing Retainer
7	1	6110791	Upper Hook – LH	21	2	213899	Bearing
8	8	769014	Roll Pin	22	4	797610	Spacer
9	1	6110792	Upper Hook – RH	23	4	787375	Capscrew, M8 x 20
10	2	6003311	Retainer	24	6	212559	Shim, .04 in. (1 mm)
11	2	6110442	Pin, M6 x 32	25	2	6110402	Bearing Plate
12	4	212687	Fork Stop	26	4	682073	Capscrew, M16 x 70
13	16	769574	Capscrew, M16 x 35				

Reference: Common Parts Group 6110661.

Tube Backrest/Fork Group

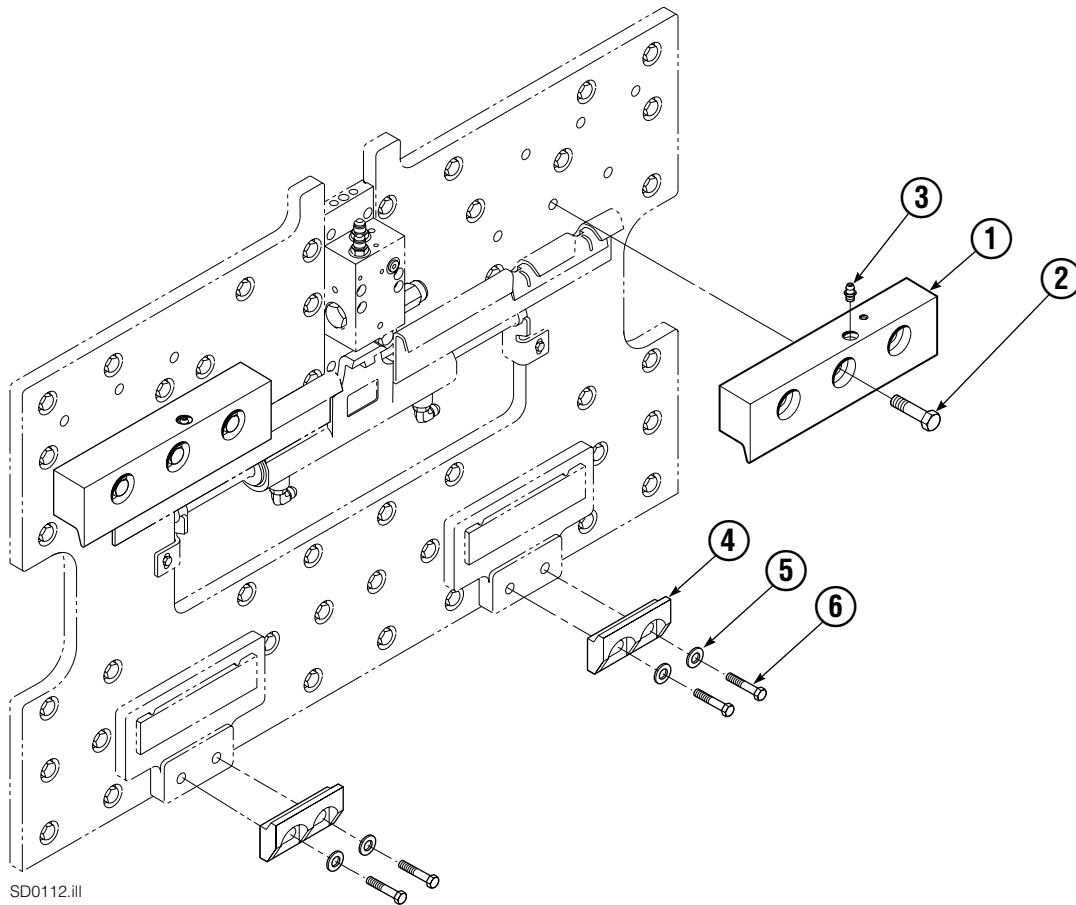


SD0381.ill

55E			
REF	QTY	PART NO.	DESCRIPTION
		6112625	Fork Group
1	1	6112627	Outer Fork – RH
2	1	6112626	Outer Fork – LH
3	1	6112629	Inner Fork – RH
4	1	6112628	Inner Fork – LH

Reference: S-28191, S-28194.

Mounting Group ITA Class III



55E			
REF	QTY	ITA III	DESCRIPTION
		PART NO.	
		3001382	Upper Hook Group ▲
		211175	Lower Hook Group ★
1	2	219379	Upper Hook
2	6	678996	Capscrew, M16 x 60
3	2	7403	Grease Fitting
4	2	675969	Lower Hook
5	4	667225	Washer
6	4	751511	Capscrew, M16 x 55

▲ Includes items 1, 2, & 3.

★ Includes items 4, 5, & 6.

Reference: SK-6116.

Do you have questions you need answered right now? Call your nearest Cascade Parts Department.

Cascade Corporation

2501 Sheridan Avenue
Springfield, OH 45505
Tel: 888-CASCADE (227-2233)
FAX: 888-329-0234
www.cascorp.com

Cascade Canada Inc.

5570 Timberlea Blvd.
Mississauga, Ontario
Canada L4W-4M6
Tel: 905-629-7777
FAX: 905-629-7785

Cascade GmbH

D-41199 Monchengladbach
Klosterhofweg 52
Germany
Tel: 49-216-668230
FAX: 49-216-6682323

Cascade Finland

Albert Petreliuksenkatu 3
01370 Vantaa
Finland
Tel: 358-9-836-1925
FAX: 358-9-836-1935

**Cascade N.V.
European Headquarters**

P.O. Box 3009
1300 El Almere
Damluisweg 56
1332 ED Almere
The Netherlands
Tel: 31-36-5492911
FAX: 31-36-5492964

**Cascade N.V.
Benelux Sales and Service**

P.O. Box 3009
1300 El Almere
Damluisweg 56
1332 ED Almere
The Netherlands
Tel: 31-36-5492950
FAX: 31-36-5492974

Cascade (UK) Ltd.

15, Orgreave Crescent
Dore House Industrial Estate
Handsworth
Sheffield S13 9NQ
England
Tel: 742-697524
FAX: 742-695121

Cascade Scandinavia AB

Box 124
Hammarvägen 10
567 23 Vaggeryd
Sweden
Tel: 42-0-393-36950
FAX: 46-0-393-36959

Cascade Norway

Østerliveien 37A
1153 Oslo
Norway
Tel: 47-22-743160
FAX: 47-22-743157

Cascade France S.A.R.L.

1D Rue De Charaintru
BP 18, 91360 Epinay-Sur-Orge
Morangis Cedex, France
Tel: 33-1- 64547500
FAX: 33-1-64547501

Cascade Hispania S.A.

Carrer 5 Sector C
Zona Franca Duanera
Poligono de la Zon Franca
08040 Barcelona, Spain
Office No. 256
Tel: 93-264-07-30
FAX: 93-264-07-31

Cascade Japan Ltd.

5-5-41,
Torikai Kami
Settsu, Osaka
Japan, 566
Tel: 81-726-53-3490
FAX: 81-726-53-3497

Cascade Korea

108B, Namdong Ind Complex
658-3 Gojan-Dong
Namdong-Gu
Inchon, 405-310 Korea
Tel: 82-32-821-2051
FAX: 82-32-821-2055

Cascade Australia

1445 Ipswich Road
Rocklea, QLD 4106
Australia
Tel: 1-800227-223
FAX: (07) 3373-7333

Cascade New Zealand

15 Ra Ora Drive
East Tamaki, Auckland
New Zealand
Tel: 9-273-9136
FAX: 9-273-9137

Cascade (Africa) Pty. Ltd.

P.O. Box 625, Isando 1600
60A Steel Road
Sparton, Kempton Park
South Africa
Tel: 27-11-975-9240
FAX: 27-11-394-1147

Cascade-Xiamen

No. 668 Yangguang Rd.
Xinyang Industrial Zone
Haicang, Xiamen City
Fujian Province
P.R. China 361026
Tel: 86-592-651-2500
FAX: 86-592-651-2571

**Cascade (Singapore)
Trading Co.**

Four Seasons Park
Autumn Block - Apt. 1802
12 Cuscaden Walk
Singapore
Tel: 65-834-1935
FAX: 65-834-1936

