



# Parts Manual

---

Model Visionary Multi Load Handler

Serial Number 55E-FD-201

---

**cascade**<sup>®</sup>

For Technical Assistance and to Order Parts . . .

Call: 1-800-CASCADE or 503-669-6300

OR

Write: Cascade Corporation, P.O. Box 20187, Portland, OR 97294-0187

# Decals



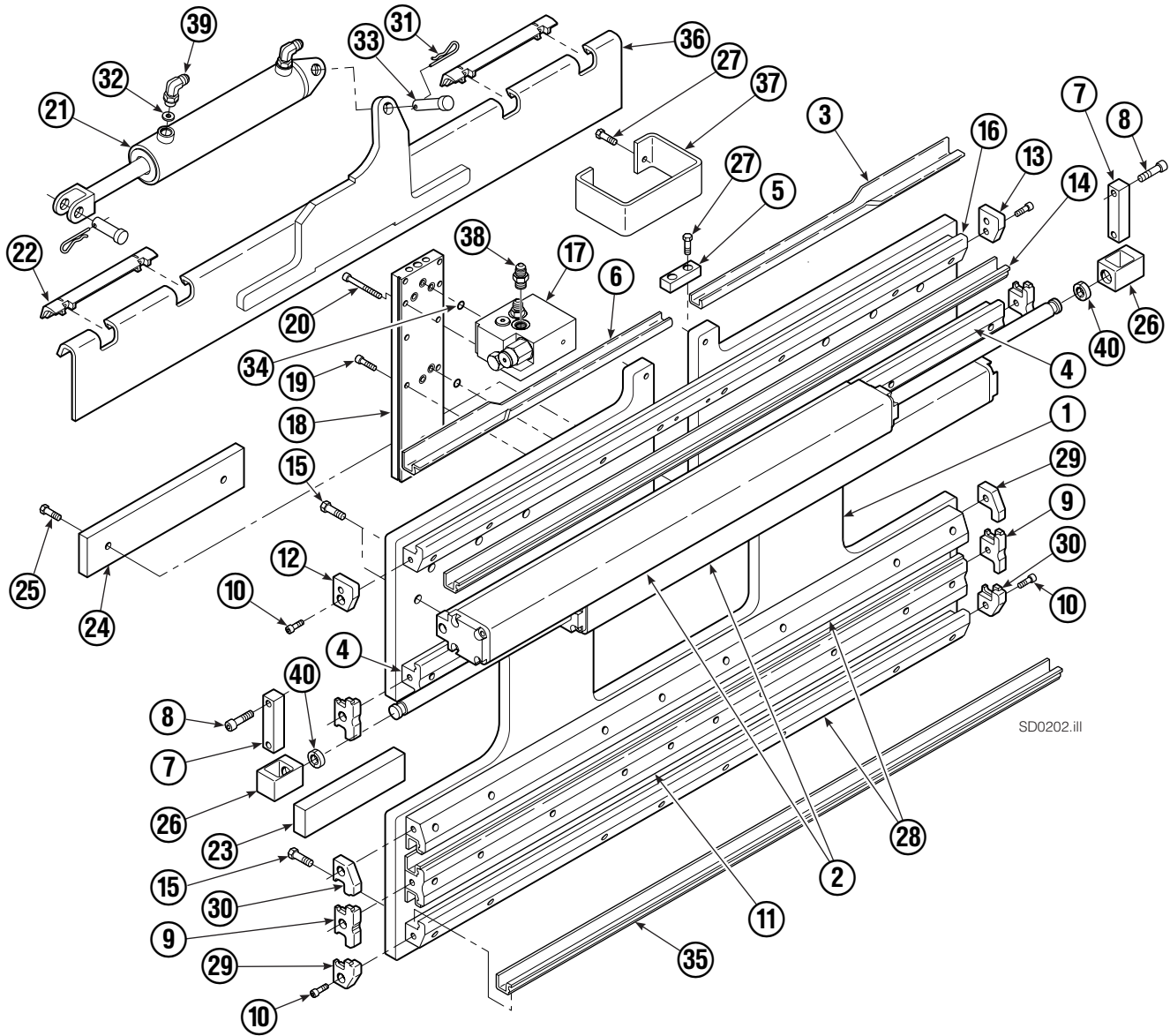
| 55E |     |          |                    |
|-----|-----|----------|--------------------|
| REF | QTY | PART NO. | DESCRIPTION        |
| 1   | 6   | 665595   | No Hand Hold Decal |
| 2   | 4   | 679150   | No Step Decal      |

# Publications



| 55E      |                             |
|----------|-----------------------------|
| PART NO. | DESCRIPTION                 |
|          | Parts Manual                |
| 213580   | Operator's Guide            |
| 213372   | Installation Instructions   |
| 679929   | Tool Catalog                |
| 673964   | Literature Index Order Form |

# Base Unit Group – ITA Class III



# Base Unit Group – ITA Class III

| REF | QTY | PART NO.  | DESCRIPTION                 |
|-----|-----|-----------|-----------------------------|
|     |     | 214641    | Base Unit Group – Class III |
| 1   | 1   | 212428    | Baseplate Class – III       |
| 2   | 2   | 214620    | Frame Cylinder ★            |
| 3   | 1   | 4786-0488 | Bearing Segment – LH        |
| 4   | 2   | 214628    | T-Bar – Upper               |
| 5   | 1   | 212722    | Fork Stop                   |
| 6   | 1   | 4787-0488 | Bearing Segment – RH        |
| 7   | 2   | 210489    | Rod End Anchor ■            |
| 8   | 4   | 768303    | Capscrew, M10 x 35 ■        |
| 9   | 4   | 210140    | Bearing Retainer            |
| 10  | 10  | 787375    | Capscrew, M8 x 20 GR 8.8    |
| 11  | 1   | 214631    | T-Bar – Lower               |
| 12  | 1   | 211380    | Retainer/Stop – RH          |
| 13  | 1   | 211379    | Retainer/Stop – LH          |
| 14  | 4   | 4730-1050 | Bearing Segment             |
| 15  | 50  | 211689    | Capscrew, M12 x 30 GR 10.9  |
| 16  | 1   | 214635    | T-Bar – Upper               |
| 17  | 1   | 216838    | Valve Assembly ▲            |
| 18  | 1   | 211456    | Manifold                    |
| 19  | 6   | 768208    | Capscrew, M8 x 25           |
| 20  | 4   | 768795    | Capscrew, M8 x 30           |
| 21  | 1   | 675548    | Sideshift Cylinder ●        |
| 22  | 2   | 672018    | Upper Bearing               |
| 23  | 2   | 208350    | Lower Bearing               |
| 24  | 1   | 212740    | Spacer Block                |
| 25  | 2   | 767615    | Capscrew, M10 x 25          |
| 26  | 2   | 209741    | Rod End ■                   |
| 27  | 4   | 684649    | Capscrew, M10 x 25          |
| 28  | 2   | 214633    | T-Bar – Lower               |
| 29  | 2   | 212585    | Bearing Retainer            |
| 30  | 2   | 212586    | Bearing Retainer            |
| 31  | 2   | 672726    | Cotter Pin                  |
| 32  | 1   | 675550    | Washer                      |
| 33  | 2   | 678525    | Clevis Pin                  |
| 34  | 7   | 214053    | O-Ring                      |
| 35  | 4   | 4730-1040 | Bearing Segment             |
| 36  | 1   | 211371    | Anchor Bracket              |
| 37  | 1   | 212741    | Valve Guard                 |
| 38  | 2   | 604511    | Fitting, 6-6 ◆              |
| 39  | 2   | 601676    | Fitting, 6-6 ◆              |
| 40  | 4   | 210490    | Retainer Half Ring ■        |

★ See Frame Cylinder page for parts breakdown.

▲ See Valve Assembly – Class III page for parts breakdown.

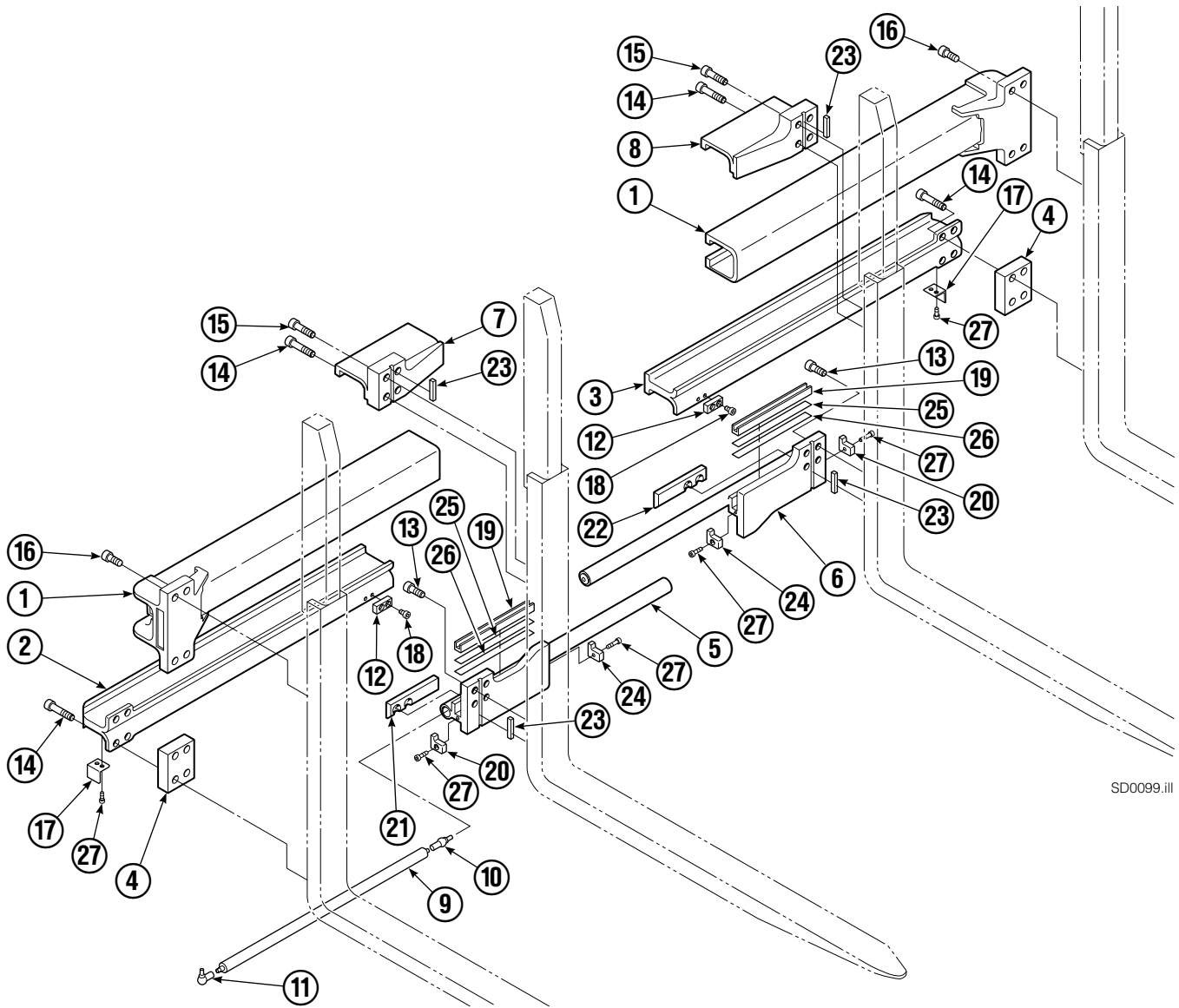
■ Included in Cylinder Rod Anchor Kit 213856.

● See Sideshift Cylinder page for parts breakdown.

◆ Included in Fitting Group 213099.

Reference: SK-6286.

# Arm Group



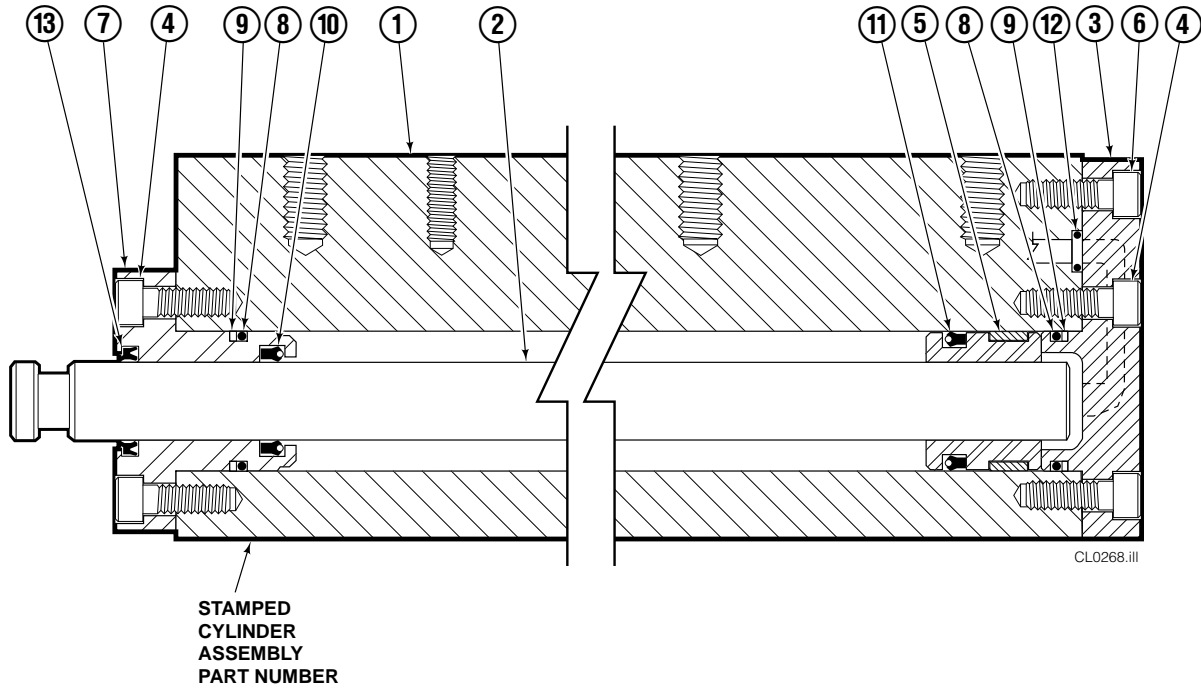
SD0099.ill

| 55E |     |           |                    |     |     |           |                        |
|-----|-----|-----------|--------------------|-----|-----|-----------|------------------------|
| REF | QTY | PART NO.  | DESCRIPTION        | REF | QTY | PART NO.  | DESCRIPTION            |
|     |     | 212580    | Arm Group          | 14  | 12  | 769578    | Capscrew, M16 x 60     |
| 1   | 2   | 4316-0799 | Upper Arm Bar      | 15  | 4   | 769577    | Capscrew, M16 x 50     |
| 2   | 1   | 211674    | Lower Arm Bar - RH | 16  | 8   | 769573    | Capscrew, M16 x 30     |
| 3   | 1   | 211673    | Lower Arm Bar - LH | 17  | 2   | 213022    | Guard                  |
| 4   | 2   | 210587    | Spacer             | 18  | 4   | 213023    | Capscrew, M10 x 16     |
| 5   | 1   | 212994    | Lower Hook - RH    | 19  | 2   | 4501-0222 | Bearing Segment        |
| 6   | 1   | 212997    | Lower Hook - LH    | 20  | 2   | 212979    | Bearing Retainer       |
| 7   | 1   | 211384    | Upper Hook - RH    | 21  | 1   | 212682    | Bearing - RH           |
| 8   | 1   | 211383    | Upper Hook - LH    | 22  | 1   | 213899    | Bearing - LH           |
| 9   | 2   | 212683    | Gas Spring ▲       | 23  | 4   | 213364    | Key                    |
| 10  | 2   | 213011    | Ball Joint ▲       | 24  | 2   | 213360    | Bearing Retainer       |
| 11  | 2   | 213012    | Ball Joint ▲       | 25  | 4   | 212559    | Shim, .04 in. (.1 mm)  |
| 12  | 2   | 212687    | Lower Fork Stop    | 26  | 4   | 213913    | Shim, .020 in. (.5 mm) |
| 13  | 8   | 769574    | Capscrew, M16 x 35 | 27  | 8   | 787375    | Capscrew, M8 x 20      |

▲ Included in Gas Spring Kit 213855.

Reference: SK-6116.

# Frame Cylinder



| 55E |     |          |                   |
|-----|-----|----------|-------------------|
| REF | QTY | PART NO. | DESCRIPTION       |
|     |     | 214620   | Cylinder Assembly |
| 1   | 1   | 214621   | Cylinder/Shell    |
| 2   | 1   | 4157-805 | Rod               |
| 3   | 1   | 213783   | End Cap           |
| 4   | 8   | 768208   | Capscrew, M8 x 25 |
| 5   | 1   | 209809   | Bearing ▲         |
| 6   | 1   | 787375   | Capscrew, M8 x 20 |
| 7   | 1   | 212452   | Retainer          |
| 8   | 3   | 643379   | O-Ring ▲          |
| 9   | 2   | 210050   | Back-Up Ring ▲    |
| 10  | 1   | 212477   | Seal ▲            |
| 11  | 1   | 209808   | Seal ▲            |
| 12  | 2   | 214053   | O-Ring ▲          |
| 13  | 1   | 562131   | Wiper ▲           |
|     |     | 210090   | Service Kit       |

▲ Included in Service Kit 210090.

Reference: S-4643, S-4644.

# Sideshift Cylinder

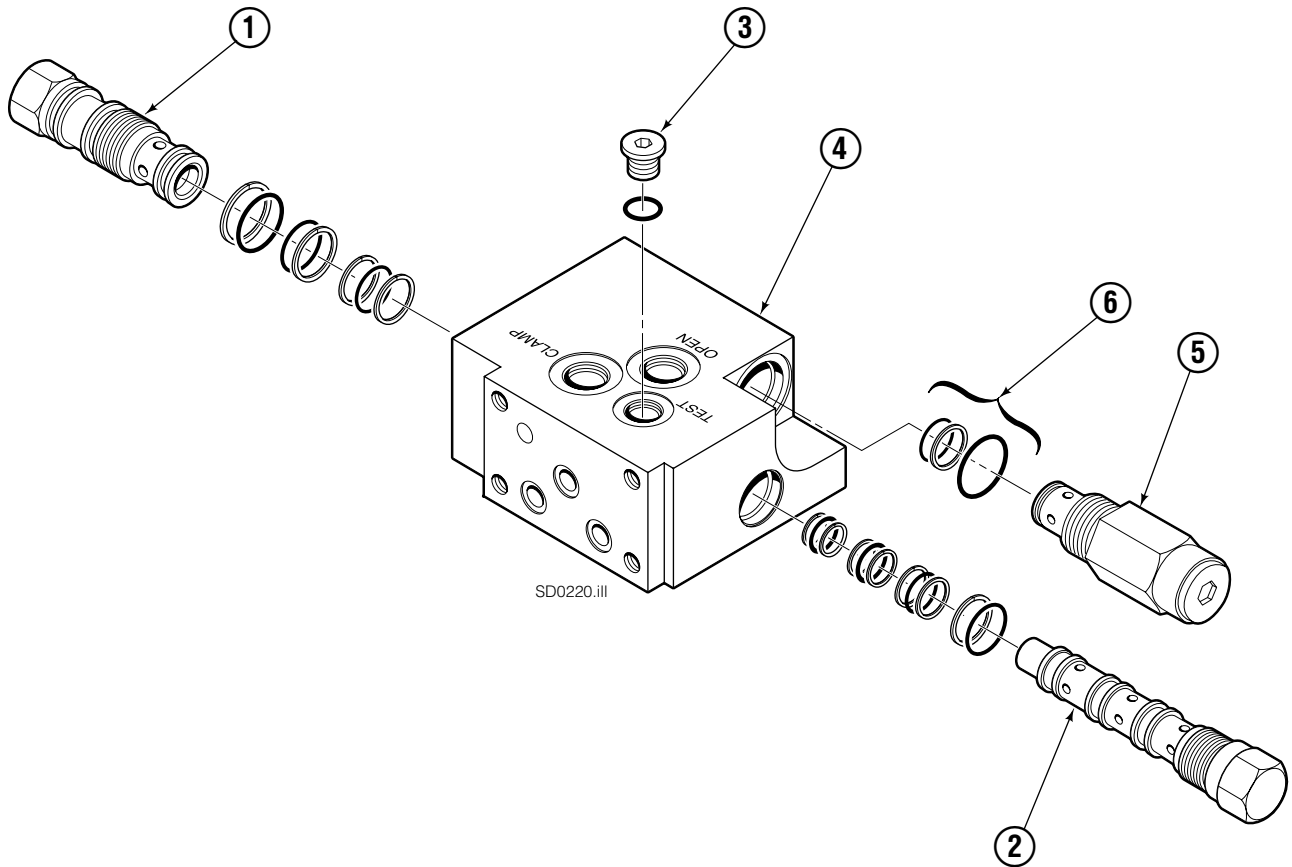


FP0079.ill

| REF  | QTY | PART NO. | DESCRIPTION           |
|------|-----|----------|-----------------------|
|      |     | 675548   | Cylinder Assembly     |
| 1    | 1   | 553857   | Nut                   |
| ■ 2  | 1   | 662452   | Seal                  |
| 3    | 1   | 553501   | Piston                |
| ■ 4  | 1   | 636851   | Wiper                 |
| ■ 5  | 1   | 638247   | Back-up Ring          |
| 6    | 1   | 675550   | Washer (orifice .085) |
| 7    | 1   | 675549   | Shell                 |
| 8    | 1   | 553449   | Rod                   |
| ■ 9  | 1   | 2785     | O-Ring                |
| ■ 10 | 1   | 615128   | Back-up Ring          |
| 11   | 1   | 553500   | Retainer              |
| 12   | 1   | 553856   | Retaining Ring        |
| 13   | 1   | 7202     | Snap Ring             |
| ■ 14 | 1   | 641835   | Seal                  |
| 15   | 1   | ---      | Spacer                |
|      |     | 553861   | Service Kit           |

■ Included in Service Kit 553861.

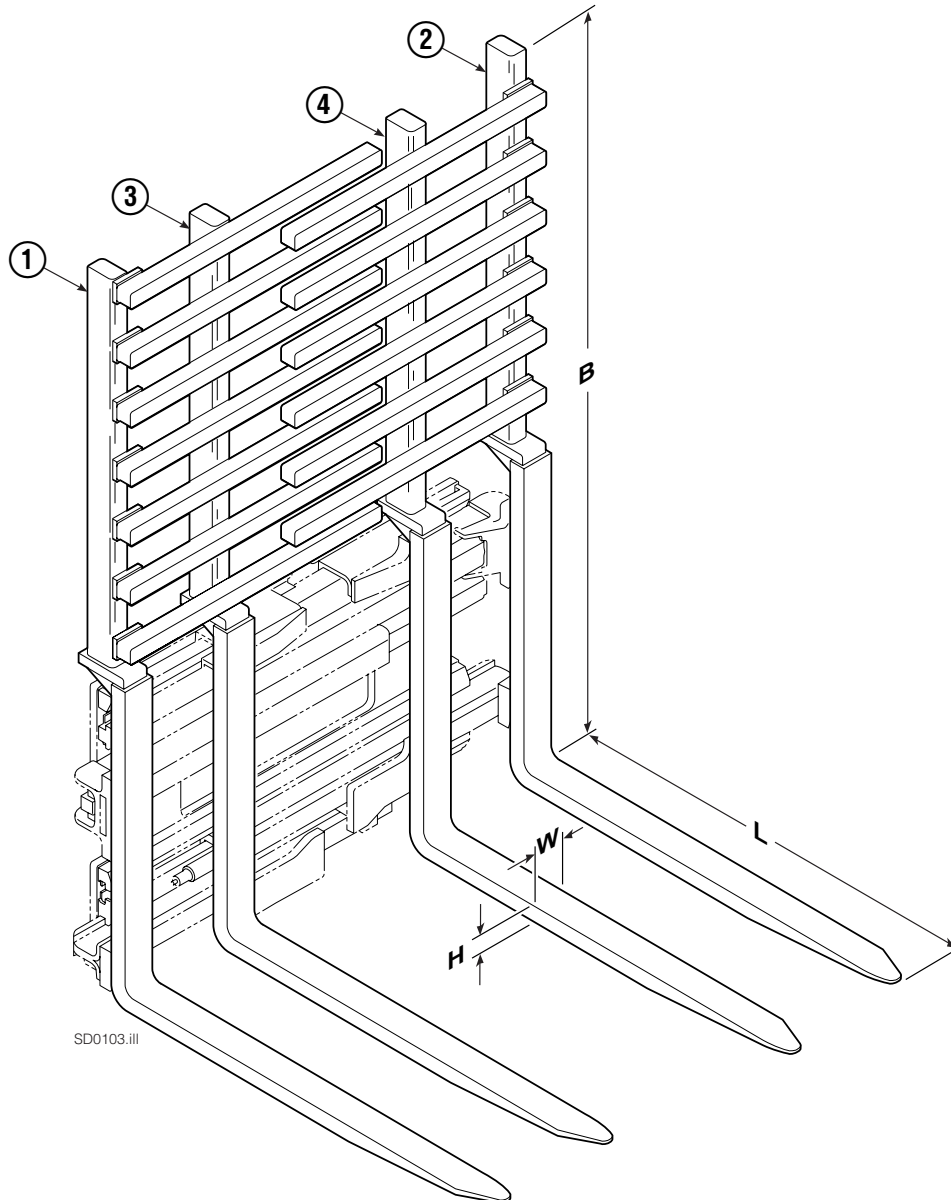
# Valve ITA Class II & III



Used on Standard Product I.D. Numbers  
 Class II – 55E-FD-510 and higher.  
 Class III – 55E-FD-105 and higher.

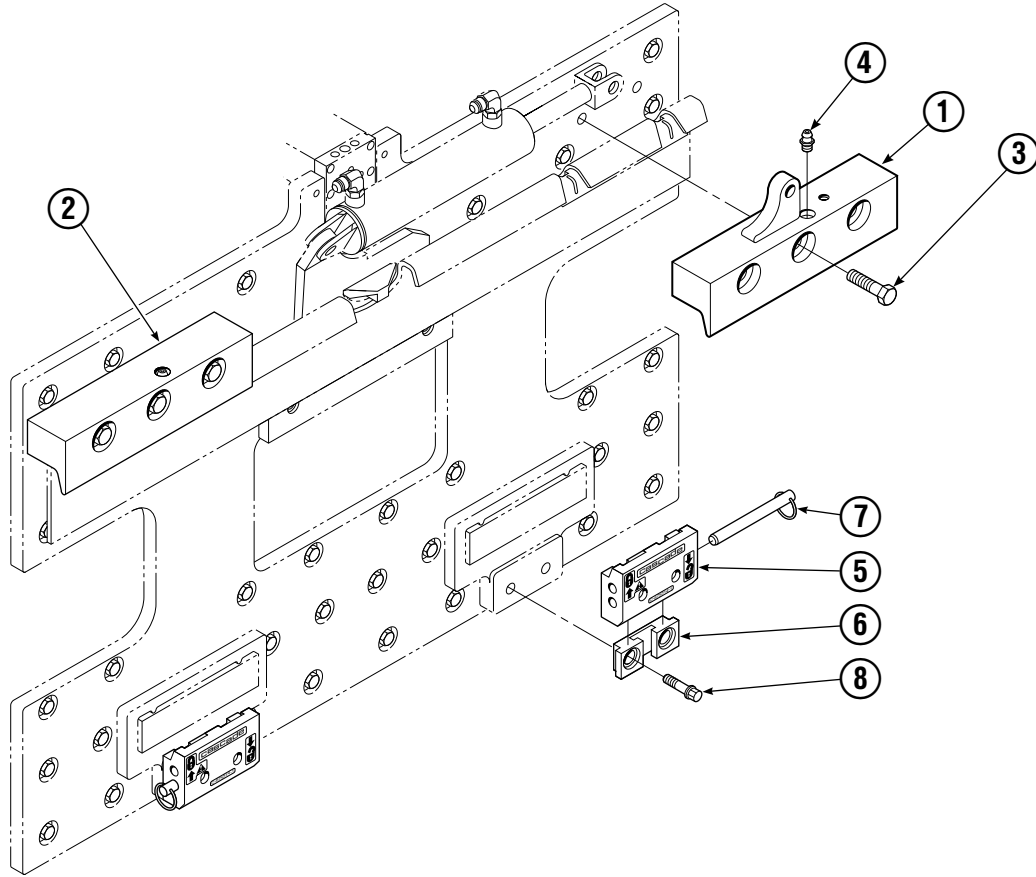
| 55E |     |          |                        |
|-----|-----|----------|------------------------|
| REF | QTY | PART NO. | DESCRIPTION            |
|     |     | 216838   | Valve Assembly         |
| 1   | 1   | 219039   | Check Valve            |
| 2   | 1   | 219040   | Flow Divider/Combiner  |
| 3   | 1   | 609234   | Plug                   |
| 4   | 1   | 216839   | Valve Body             |
| 5   | 1   | 213535   | Crossover Relief Valve |
| 6   | 1   | 682170   | Service Kit            |
| 7   | 1   | 219040   | Flow Divider/Combiner  |

# Interlocking Backrest/Fork Group



| 55E        |     |     |      |                        |               |               |               |               |
|------------|-----|-----|------|------------------------|---------------|---------------|---------------|---------------|
| SIZE (in.) |     |     |      | FORK GROUP<br>PART NO. | REF ①         | REF ②         | REF ③         | REF ④         |
| B          | W   | H   | L    |                        | Outer Fork–RH | Outer Fork–LH | Inner Fork–RH | Inner Fork–LH |
| 70         | 3.2 | 1.8 | 42.1 | 397583                 | 397763        | 397762        | 213466        | 213464        |

# Mounting Group ITA Class III



SD0097.iii

| 55E |     |                     |                    |
|-----|-----|---------------------|--------------------|
| REF | QTY | ITA III<br>PART NO. | DESCRIPTION        |
|     |     | 212574              | Upper Hook Group ▲ |
|     |     | 683181              | Lower Hook Group ★ |
| 1   | 1   | 211375              | Upper Hook - RH    |
| 2   | 1   | 210592              | Upper Hook - LH    |
| 3   | 6   | 796631              | Cap screw, M16x65  |
| 4   | 2   | 7403                | Grease Fitting     |
| 5   | 2   | 675957              | Lower Hook         |
| 6   | 2   | 675958              | Guide              |
| 7   | 2   | 678832              | Pin                |
| 8   | 4   | 779019              | Cap screw          |

▲ Includes items 1, 2, & 3.

★ Includes items 5, 6, 7, & 8.

Reference: SK-6116.

**Do you have questions you need answered right now?** Call your nearest Cascade Parts Department.

**Cascade Corporation**

2201 NE 201st  
Troutdale, OR 97060  
Tel: 1-800-CAS-CADE  
503-669-6300  
FAX: 503-669-6338

**Cascade Canada Inc.**

5570 Timberlea Blvd.  
Mississauga, Ontario  
Canada L4W-4M6  
Tel: 905-629-7777  
FAX: 905-629-7785

**Cascade GmbH**

D-41199 Monchengladbach  
Klosterhofweg 52  
Germany  
Tel: 21-66-602091  
FAX: 21-66-680947

**Cascade Finland**

01370 Vantas  
Finland  
Tel: 358-0-836-1925  
FAX: 358-0-836-1935

**Cascade N.V.  
European Headquarters**

P.O. Box 3009  
1300 El Almere  
Damsluisweg 56  
1332 ED Almere  
The Netherlands  
Tel: 31-36-5492911  
FAX: 31-36-5492964

**Cascade N.V.  
Benelux Sales and Service**

P.O. Box 3009  
1300 El Almere  
Damsluisweg 56  
1332 ED Almere  
The Netherlands  
Tel: 31-36-5492950  
FAX: 31-36-5492974

**Cascade (UK) Ltd.**

15, Orgreave Crescent  
Dore House Industrial Estate  
Handsworth  
Sheffield S13 9NQ  
England  
Tel: 742-697524  
FAX: 742-695121

**Cascade Scandinavia  
Hydraulik A.B.**

Muskötgatan 19, E8-9  
S25466 Helsingborg  
Sweden  
Tel: 42-151135  
FAX: 42-152997

**Cascade Norway**

Østerliveien 37A  
1153 Oslo  
Norway  
Tel: 47-22-743160  
FAX: 47-22-743157

**Cascade France S.A.R.L.**

11, Rue Jean Charcot  
Zone Industrielle Sud or  
B.P. 22  
91421 Morangis Cedex  
France  
Tel: 1- 64547501  
FAX: 1-9790584

**Cascade Hispania S.A.**

Avenida De La Fabregada, 7  
Hospitalet De Llobregat  
Barcelona  
Spain  
Tel: 3-335-5158  
FAX: 3-335-4756

**Cascade Japan Ltd.**

5-5-41,  
Torikai Kami  
Settsu, Osaka  
Japan, 566  
Tel: 81-726-53-3490  
FAX: 81-726-53-3497

**Cascade Korea**

Room 508, Pum Yang Bldg.  
750-14, Bang Bac-Dong  
Se-Cho Ku, Seoul  
Korea  
Tel: 2599-7131 ext. 512  
FAX: 2533-8089

**HYCO-Cascade Pty. Ltd.**

87 Antimony Street  
Carole Park,  
Brisbane 4300  
Australia  
Tel: 7-271-1966  
FAX: 7-271-3830

**HYCO-Cascade (NZ) Ltd.**

15 Ra Ora Drive, East Tamaki  
P.O. Box 38-440  
Howick, Auckland  
New Zealand  
Tel: 9-273-9136  
FAX: 9-273-9137

**Cascade (Africa) Pty. Ltd.**

P.O. Box 625, Isando 1600  
60A Steel Road  
Sparton, Kempton Park  
South Africa  
Tel: 975-9240  
FAX: 394-1147

**Cascade-Xiamen**

Wanshan No. 1 Workshop  
Huli Road  
Xiamen 361006  
Fujian, PRC  
Tel: 592-562-4600  
FAX: 592-562-4671

**Cascade (Singapore)  
Trading Co.**

Four Seasons Park  
Autumn Block - Apt. 1802  
12 Cascaden Walk  
Singapore  
Tel: 65-834-1935  
FAX: 65-834-1936

