



# Parts Manual

---

Model Single-Double Pallet Handler

Serial Number 55E-FDS-429

---

**cascade**<sup>®</sup>

For Technical Assistance call: 800-227-2233, Fax: 888-329-8207

To Order Parts call: 888-227-2233, Fax: 888-329-0234

OR

Write: Cascade Corporation, P.O. Box 20187, Portland, OR 97220

# Decals



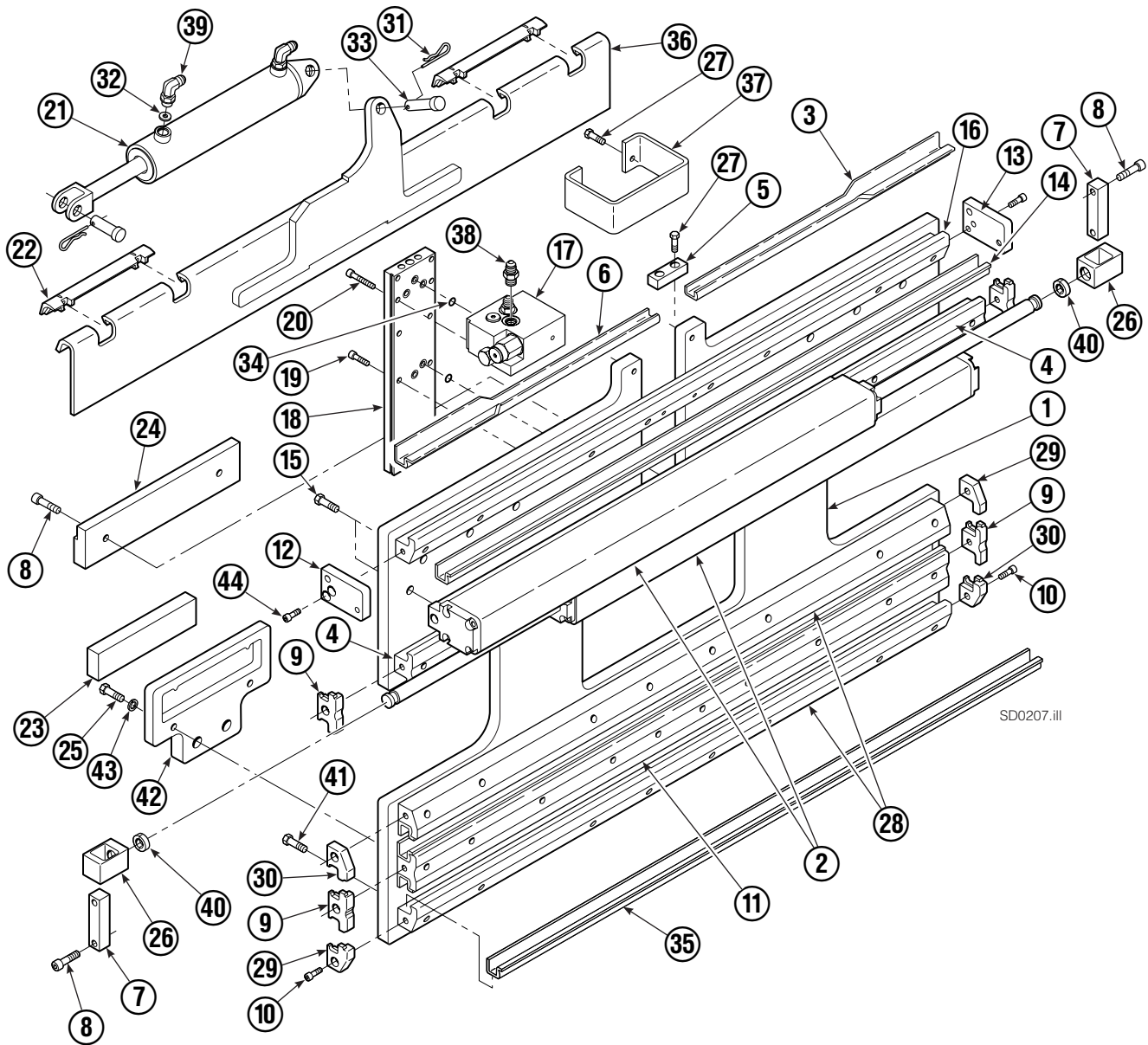
55E			
REF	QTY	PART NO.	DESCRIPTION
1	6	665595	No Hand Hold Decal
2	4	679150	No Step Decal

# Publications



55E	
PART NO.	DESCRIPTION
	Parts Manual
213580	Operator's Guide
213372	Installation Instructions
679929	Tool Catalog
673964	Literature Index Order Form

# Base Unit Group – ITA Class III



# Base Unit Group – ITA Class III

55E			
REF	QTY	PART NO.	DESCRIPTION
		3003281	Base Unit Group – Class III
1	1	3002853	Baseplate
2	2	395186	Frame Cylinder ★
3	1	4786-0519	Bearing Segment – LH
4	2	395187	T-Bar – Upper
5	1	212722	Fork Stop
6	1	4787-0519	Bearing Segment – RH

## Common Parts

REF	QTY	PART NO.	DESCRIPTION	REF	QTY	PART NO.	DESCRIPTION
7	2	210489	Rod End Anchor ■	26	2	209741	Rod End ■
8	6	768303	Capscrew, M10 x 35 ■	27	6	684649	Capscrew, M10 x 25
9	4	210140	Bearing Retainer	28	2	214633	T-Bar – Lower
10	12	787375	Capscrew, M8 x 20 GR 8.8	29	2	212585	Bearing Retainer
11	1	214631	T-Bar – Lower	30	2	212586	Bearing Retainer
12	1	220009	Retainer/Stop – RH	31	2	672726	Cotter Pin
13	1	220008	Retainer/Stop – LH	32	1	675550	Washer
14	4	4730-1050	Bearing Segment	33	2	678525	Clevis Pin
15	13	211689	Capscrew, M12 x 30 GR 10.9	34	7	214053	O-Ring
16	1	220143	T-Bar – Upper	35	4	4730-1040	Bearing Segment
17	1	216838	Valve Assembly ▲	36	1	211371	Anchor Bracket
18	1	211456	Manifold	37	1	212741	Valve Guard
19	6	768208	Capscrew, M8 x 25	38	2	604511	Fitting, 6-6 ◆
20	4	768795	Capscrew, M8 x 30	39	2	601676	Fitting, 6-6 ◆
21	1	675548	Sideshift Cylinder ●	40	4	210490	Retainer Half Ring ■
22	2	204187	Upper Bearing	41	37	214487	Capscrew, M12 x 40
23	2	208350	Lower Bearing	42	2	215226	Hanger
24	1	218208	Spacer Block	43	4	787383	Lockwasher, M10
25	4	767615	Capscrew, M10 x 25	44	4	762900	Capscrew, M6 x 25

★ See Frame Cylinder page for parts breakdown.

▲ See Valve Assembly – Class III page for parts breakdown.

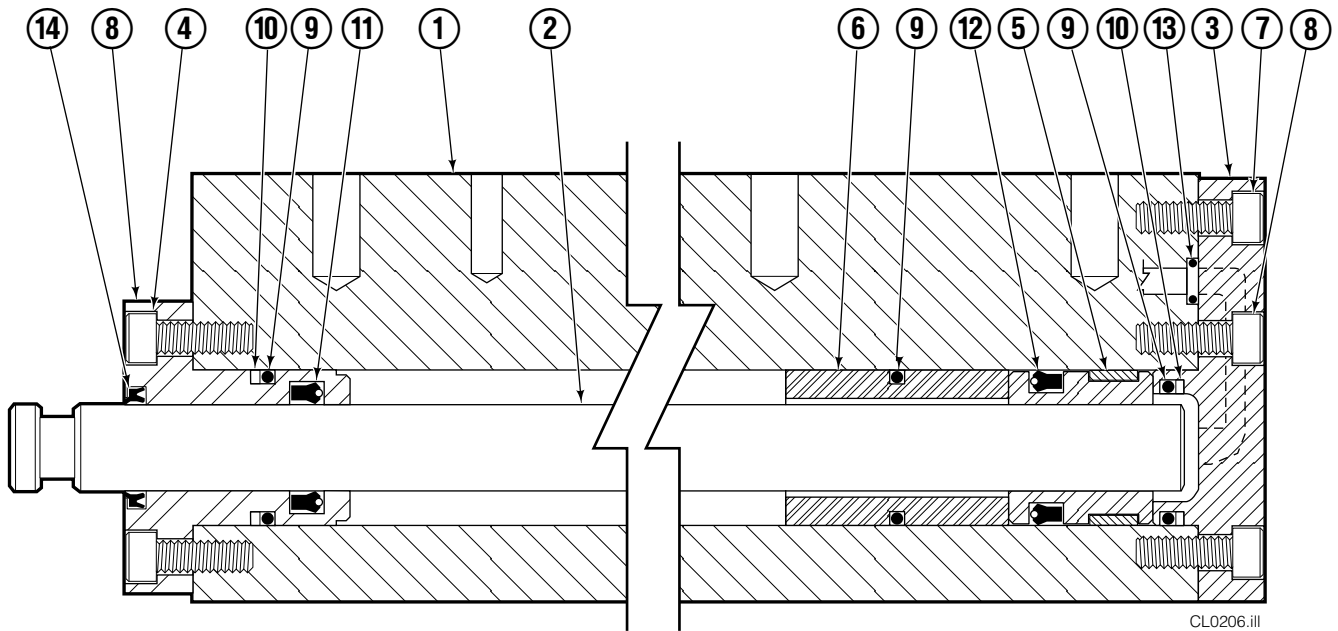
■ Included in Cylinder Rod Anchor Kit 213856.

● See Sideshift Cylinder page for parts breakdown.

◆ Included in Fitting Group 213099.

Reference: SK-6373.

# Cylinder



CL0206.ill

55E							
REF	QTY	PART NO.	DESCRIPTION	REF	QTY	PART NO.	DESCRIPTION
		395186	Cylinder Assembly	8	1	212452	Retainer
1	1	395188	Frame	9	3	210053	O-Ring ▲
2	1	4157-779	Rod	10	2	210050	Back -Up Ring ▲
3	1	213783	Cap	11	1	212477	Seal ▲
4	8	768208	Capscrew, M8 x 2	12	1	209808	Seal ▲
5	1	209809	Bearing ▲	13	2	214053	O-Ring ▲
6	1	4274-435	Spacer	14	1	562131	Wiper ▲
7	1	787375	Capscrew, M8 x 2		1	210090	Seal Kit

▲ Included In Service Kit 210090.

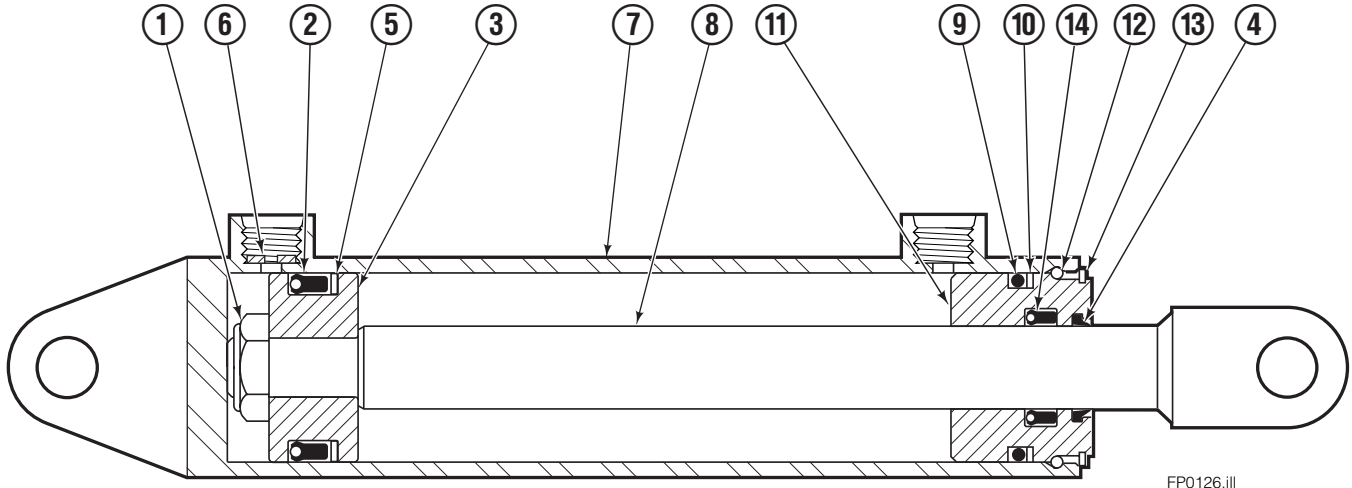
Reference: S-4152, S-4151.

# Valve



55E			
REF	QTY	PART NO.	DESCRIPTION
		216838	Valve Assembly
1	1	219039	Check Valve
2	1	—	Service Kit
3	1	609234	Plug
4	1	216839	Valve Body
5	1	213535	Crossover Relief Valve
6	1	682170	Service Kit
7	1	219040	Flow Divider/Combiner
8	1	—	Service Kit

# Sideshift Cylinder ITA Class III

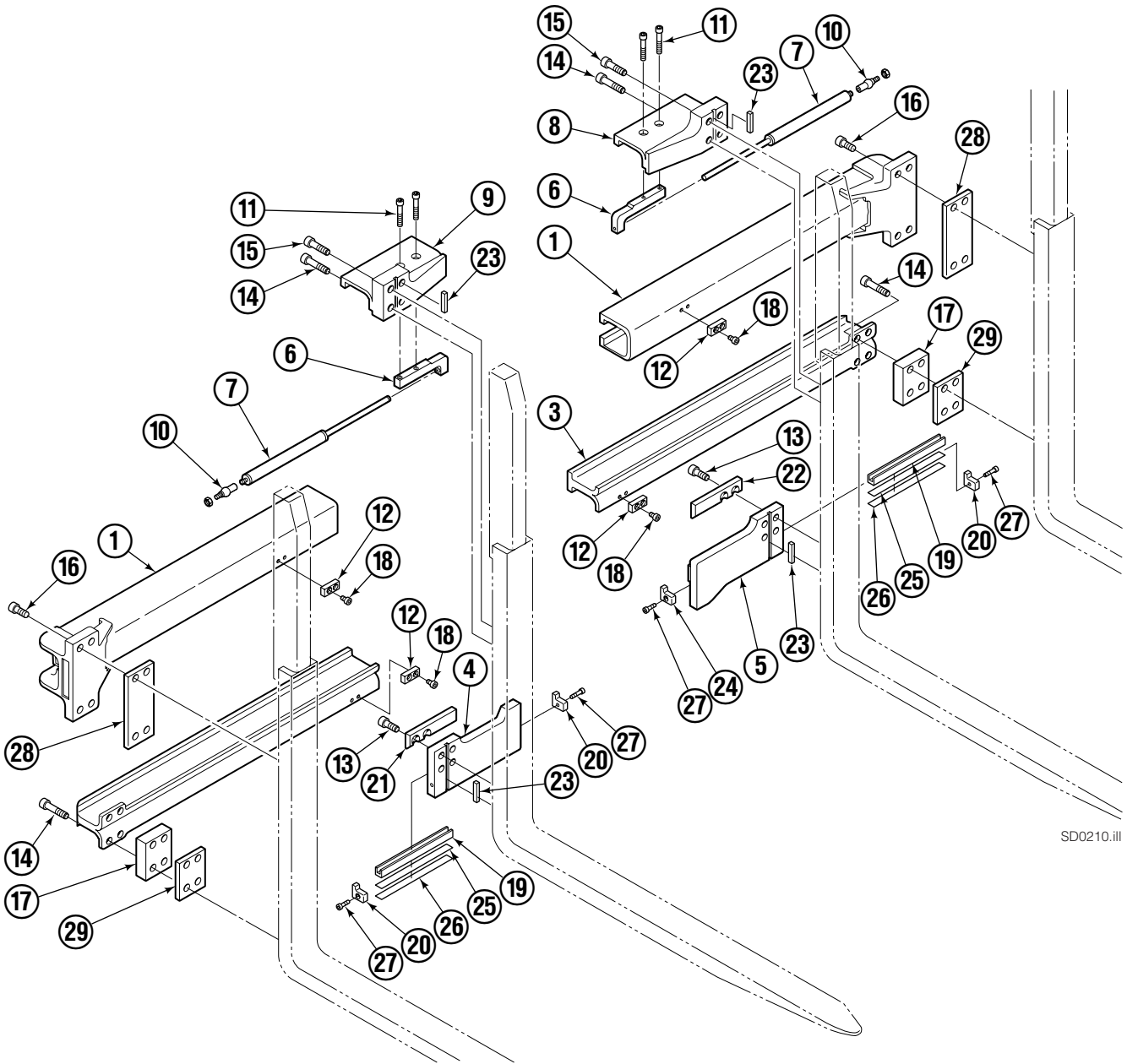


FP0126.ill

55E			
REF	QTY	PART NO.	DESCRIPTION
		675548	Cylinder Assembly
1	1	553857	Nut
■ 2	1	662452	Seal
3	1	553501	Piston
■ 4	1	636851	Wiper
■ 5	1	638247	Back-up Ring
6	1	675550	Washer (orifice .085 in.)
7	1	675549	Shell
8	1	553449	Rod
■ 9	1	2785	O-Ring
■ 10	1	615128	Back-up Ring
11	1	553500	Retainer
12	1	553856	Retaining Ring
13	1	7202	Snap Ring
■ 14	1	641835	Seal
		553861	Service Kit

■ Included in Service Kit 553861.

# Arm Group



SD0210.III

# Arm Group



**NOTE:** Position the inner forks to maximum width and measure **A** to determine maximum inner fork inside to inside (ITI) range.

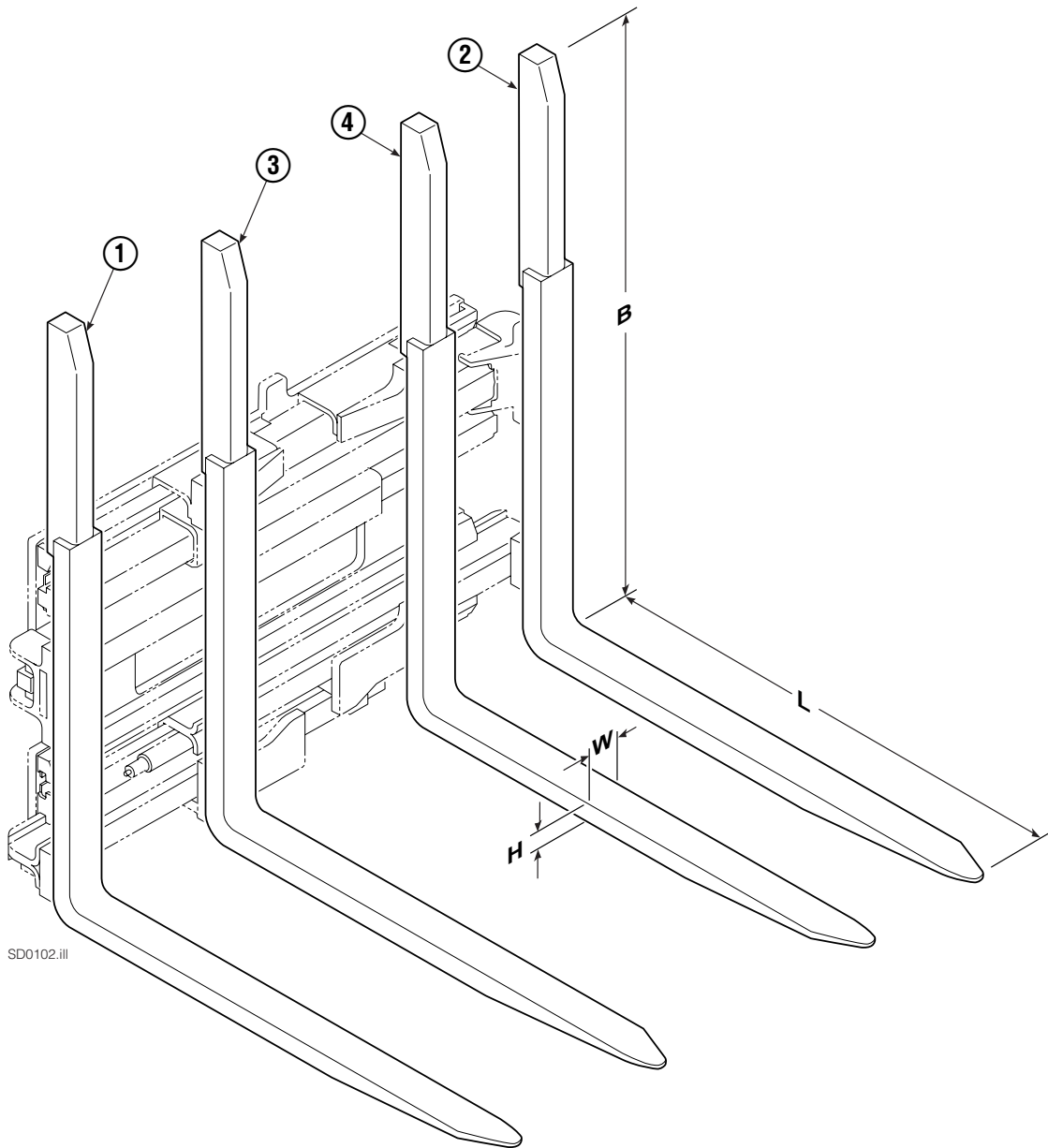
<b>55E</b>			
REF	QTY	PART NO.	DESCRIPTION
		3003280	Arm Group
1	2	3003283	Upper Arm Bar
2	1	3002981	Lower Arm Bar – RH
3	1	3002963	Lower Arm Bar – LH
4	1	220141	Lower Hook – RH
5	1	3002898	Lower Hook – LH
6	2	10273-0194	Bracket
7	2	218895	Gas Spring

## Common Parts

REF	QTY	PART NO.	DESCRIPTION	REF	QTY	PART NO.	DESCRIPTION
8	1	3005019	Upper Hook – LH	19	2	4501-0222	Bearing Segment
9	1	3005020	Upper Hook – RH	20	2	212979	Bearing Retainer
10	2	213011	Ball Joint	21	1	212682	Bearing – RH
11	4	766646	Capscrew, M10 x 20	22	1	213899	Bearing – LH
12	4	212687	Fork Stop	23	4	213364	Key
13	8	769574	Capscrew, M16 x 35	24	2	213360	Bearing Retainer
14	12	769578	Capscrew, M16 x 60	25	4	212559	Shim, .04 in. (.1 mm)
15	4	769577	Capscrew, M16 x 50	26	4	213913	Shim, .02 in. (.5 mm)
16	8	769573	Capscrew, M16 x 30	27	4	787375	Capscrew, M8 x 20
17	2	210587	Spacer	28	4	797611	Spacer
18	4	214414	Capscrew, M10 x 12	29	4	797610	Spacer

Reference: SK-6373 and 6374. Common Parts Group 220285.

# Tube Backrest/Fork Group



55E								
SIZE (in.)				FORK GROUP PART NO.	REF ①	REF ②	REF ③	REF ④
B	W	H	L		Outer Fork–RH	Outer Fork–LH	Inner Fork–RH	Inner Fork–LH
55	3.2	1.8	42.1	3002919	3003285	3003284	3003287	3003286

# Mounting Group ITA Class III



SD0224.ill

55E			
REF	QTY	ITA III PART NO.	DESCRIPTION
		212574	Upper Hook Group ▲
		211175	Bolt-On Lower Hook Group ●
1	1	218207	Upper Hook - RH
2	1	218206	Upper Hook - LH
3	6	678997	Capscrew, M16 x 65
4	2	7403	Grease Fitting
5	2	675969	Lower Hook
6	4	667225	Washer
7	4	751511	Capscrew, M16 x 55

▲ Includes items 1–3.

● Includes items 5–7.

Reference: SK-6373.

**Do you have questions you need answered right now?** Call your nearest Cascade Parts Department.

**Cascade Corporation**  
2501 Sheridan Avenue  
Springfield, OH 45505  
Tel: 888-CASCADE (227-2233)  
FAX: 888-329-0234

**Cascade Canada Inc.**  
5570 Timberlea Blvd.  
Mississauga, Ontario  
Canada L4W-4M6  
Tel: 905-629-7777  
FAX: 905-629-7785

**Cascade GmbH**  
D-41 199 Monchengladbach  
Klosterhofweg 52  
Germany  
Tel: 21-66-602091  
FAX: 21-66-680947

**Cascade Finland**  
01370 Vantas  
Finland  
Tel: 358-0-836-1925  
FAX: 358-0-836-1935

**Cascade N.V.  
European Headquarters**  
P.O. Box 3009  
1300 El Almere  
Damsluisweg 56  
1332 ED Almere  
The Netherlands  
Tel: 31-36-5492911  
FAX: 31-36-5492964

**Cascade N.V.  
Benelux Sales and Service**  
P.O. Box 3009  
1300 El Almere  
Damsluisweg 56  
1332 ED Almere  
The Netherlands  
Tel: 31-36-5492950  
FAX: 31-36-5492974

**Cascade (UK) Ltd.**  
15, Orgreave Crescent  
Dore House Industrial Estate  
Handsworth  
Sheffield S13 9NQ  
England  
Tel: 742-697524  
FAX: 742-695121

**Cascade Scandinavia  
Hydraulik A.B.**  
Muskötgatan 19, E8-9  
S25466 Helsingborg  
Sweden  
Tel: 42-151135  
FAX: 42-152997

**Cascade Norway**  
Østerliveien 37A  
1153 Oslo  
Norway  
Tel: 47-22-743160  
FAX: 47-22-743157

**Cascade France S.A.R.L.**  
11, Rue Jean Charcot  
Zone Industrielle Sud or  
B.P. 22  
91421 Morangis Cedex  
France  
Tel: 1- 64547501  
FAX: 1-9790584

**Cascade Hispania S.A.**  
Avenida De La Fabregada, 7  
Hospitalet De Llobregat  
Barcelona  
Spain  
Tel: 3-335-5158  
FAX: 3-335-4756

**Cascade Japan Ltd.**  
5-5-41,  
Torikai Kami  
Settsu, Osaka  
Japan, 566  
Tel: 81-726-53-3490  
FAX: 81-726-53-3497

**Cascade Korea**  
Room 508, Pum Yang Bldg.  
750-14, Bang Bac-Dong  
Se-Cho Ku, Seoul  
Korea  
Tel: 2599-7131 ext. 512  
FAX: 2533-8089

**HYCO-Cascade Pty. Ltd.**  
1445 Ipswich Road  
Rocklea,  
Queensland 4107  
Australia  
Tel: 3-274-2722  
FAX: 3-274-3456

**HYCO-Cascade (NZ) Ltd.**  
15 Ra Ora Drive, East Tamaki  
P.O. Box 38-440  
Howick, Auckland  
New Zealand  
Tel: 9-273-9136  
FAX: 9-273-9137

**Cascade (Africa) Pty. Ltd.**  
P.O. Box 625, Isando 1600  
60A Steel Road  
Sparton, Kempton Park  
South Africa  
Tel: 975-9240  
FAX: 394-1147

**Cascade-Xiamen**  
Wanshan No. 1 Workshop  
Huli Road  
Xiamen 361006  
Fujian, PRC  
Tel: 592-562-4600  
FAX: 592-562-4671

**Cascade (Singapore)  
Trading Co.**  
Four Seasons Park  
Autumn Block - Apt. 1802  
12 Cascaden Walk  
Singapore  
Tel: 65-834-1935  
FAX: 65-834-1936

