



Parts Manual

Model _____ Load Push _____

Serial Number _____ **45E-PLB-Q002R0** _____

cascade[®]
corporation

For Technical Assistance call: 800-227-2233, Fax: 888-329-8207

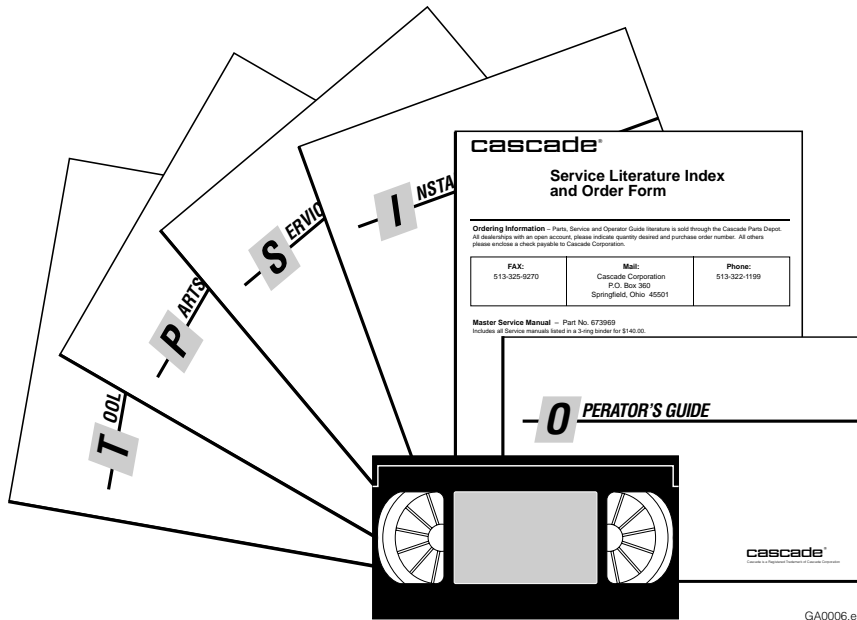
To Order Parts call: 888-227-2233, Fax: 888-329-0234

OR

Write: Cascade Corporation, P.O. Box 20187, Portland, OR 97220

Internet: www.cascorp.com

Publications



GA0006.eps

PART NO.	DESCRIPTION
	Parts Manual
686455	Service Manual
684945	Operators Guide
685531	Operators Pocket Guide
684944	Installation Instructions
680664	Servicing Cascade Cylinders-VHS
679929	Tool Catalog
673964	Literature Index Order Form

Decals



Optional Faceplate Extension



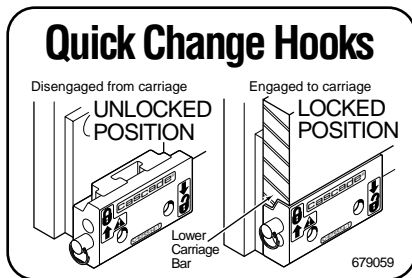
Part No. 679150
(1 Place & 1 optional)



Part No. 665595
(2 Place & 2 optional)



Part No. 656038
(6 Places)

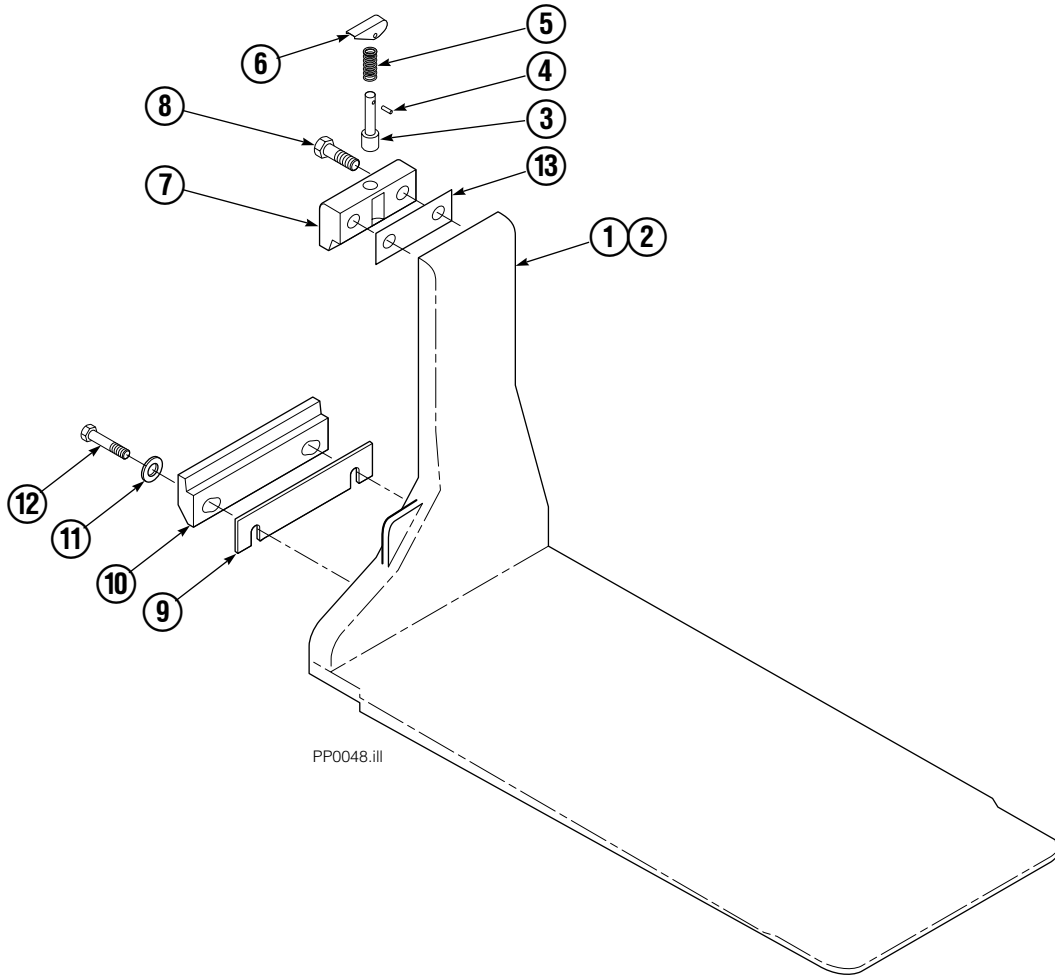


Part No. 679059
(1 Place if equipped with Quick Change Hooks)



PP0060.iii

Platens



Note: Usable platen lengths are determined by measuring from the faceplate (fully retracted position) to the platen tip or total platen length minus 4 1/2".

REF	QTY	PART NO.	DESCRIPTION
		685766	Platen Group
1	1	685767	Platen L. H.
2	1	685768	Platen R. H.
3	2	622907	■ Pin
4	2	8007	■ Rivet
5	2	622908	■ Spring
6	2	622897	■ Handle
7	2	685533	■ Upper Hook
8	4	685677	Capscrew
9	★	206969	Shim (.030)
10	2	682851	Lower Hook
11	4	667225	Washer
12	4	779009	Capscrew
13	●	688379	Shim (.060)

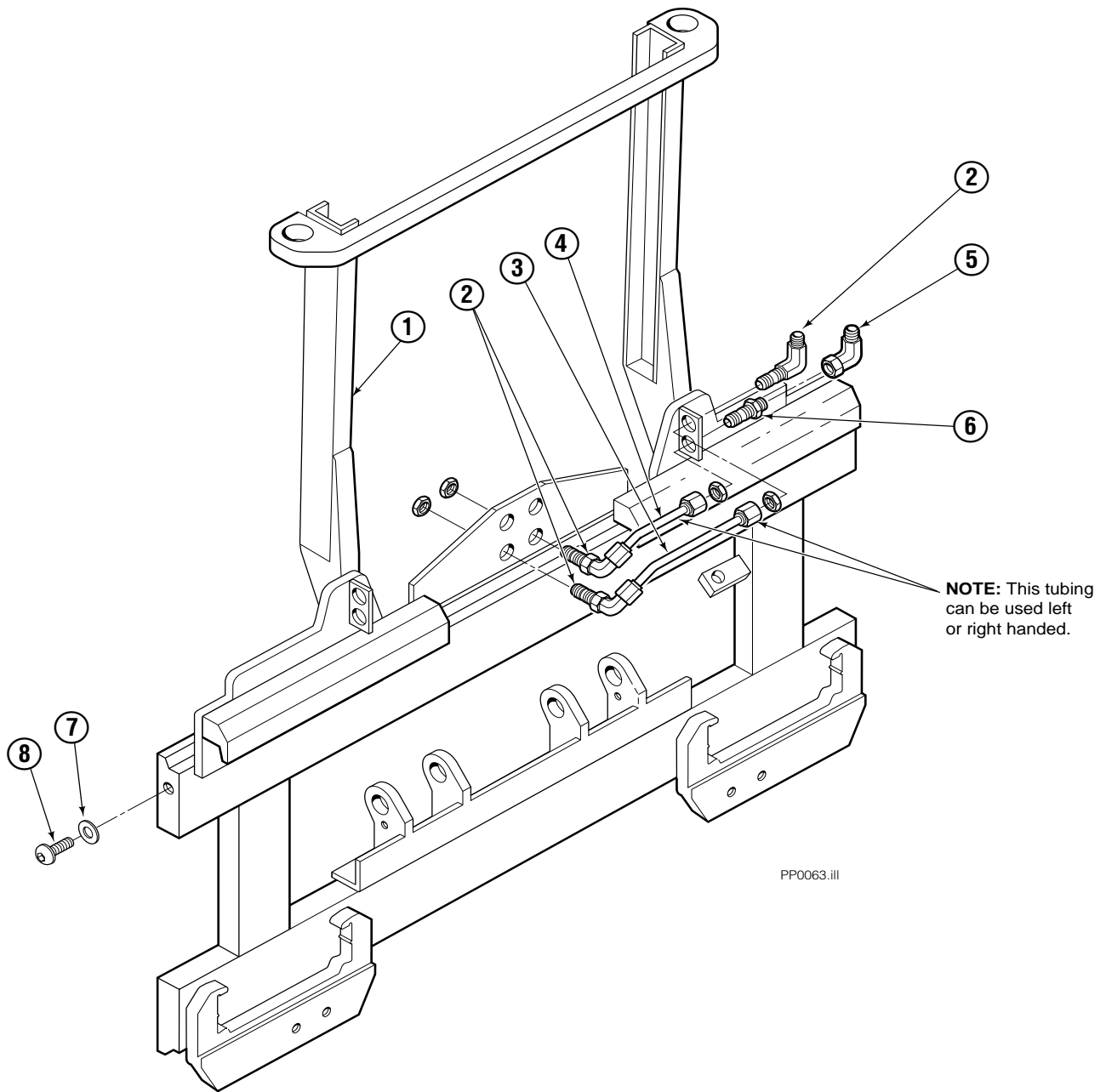
★ As required.

● As required (2 maximum)

■ Included in Upper Hook Assembly 688386.

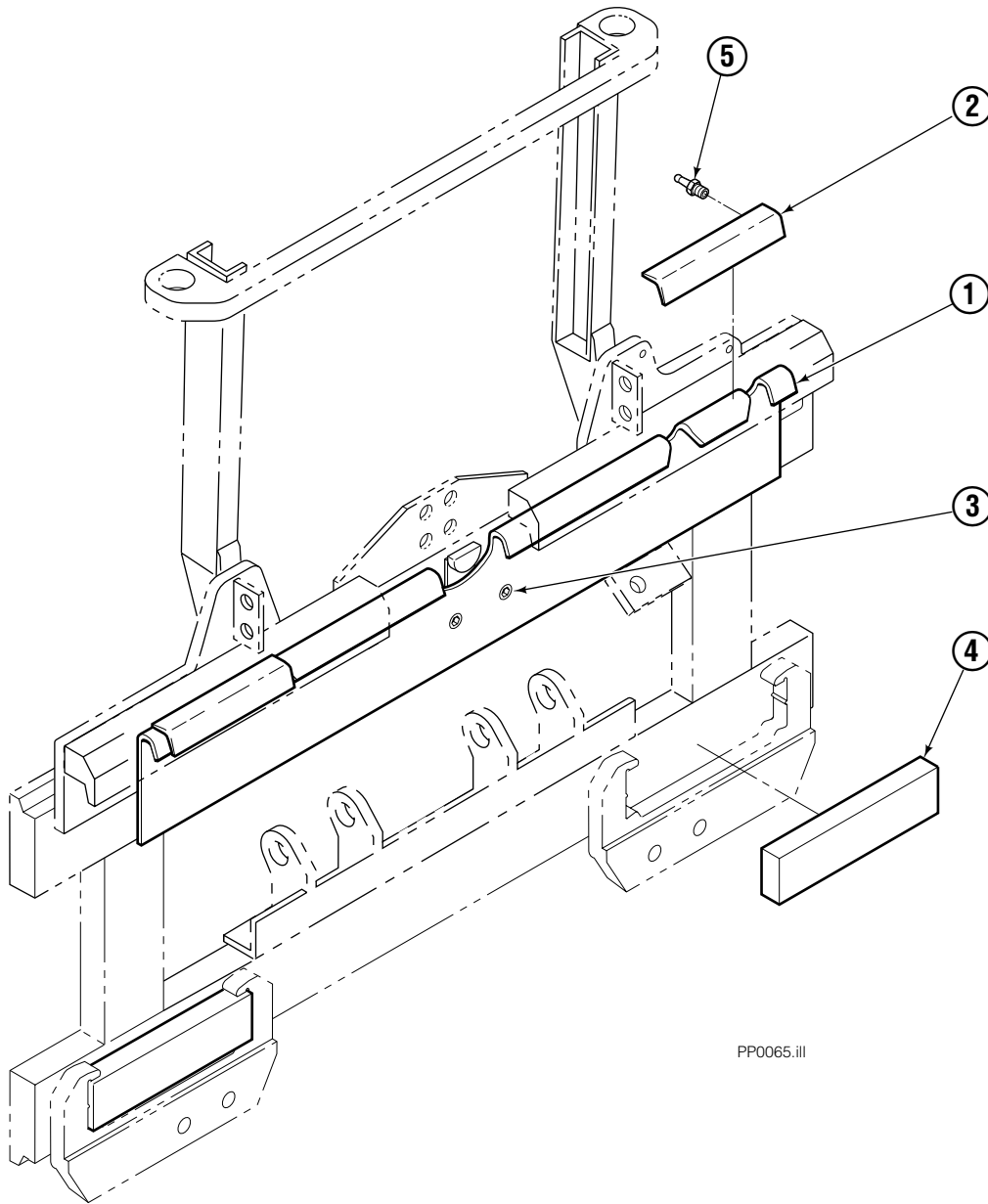
Reference: S-3408.

Frame Group ITA II



35E/45E			
REF	QTY	PART NO.	DESCRIPTION
		204649	Frame Group
1	1	204651	Frame
2	3	2453	Fitting, 6-6
3	1	686509	Tube
4	1	686510	Tube
5	1	2680	Fitting, 6-6
6	1	2375	Fitting, 6-6
7	2	683001	Washer
8	2	683142	Capscrew

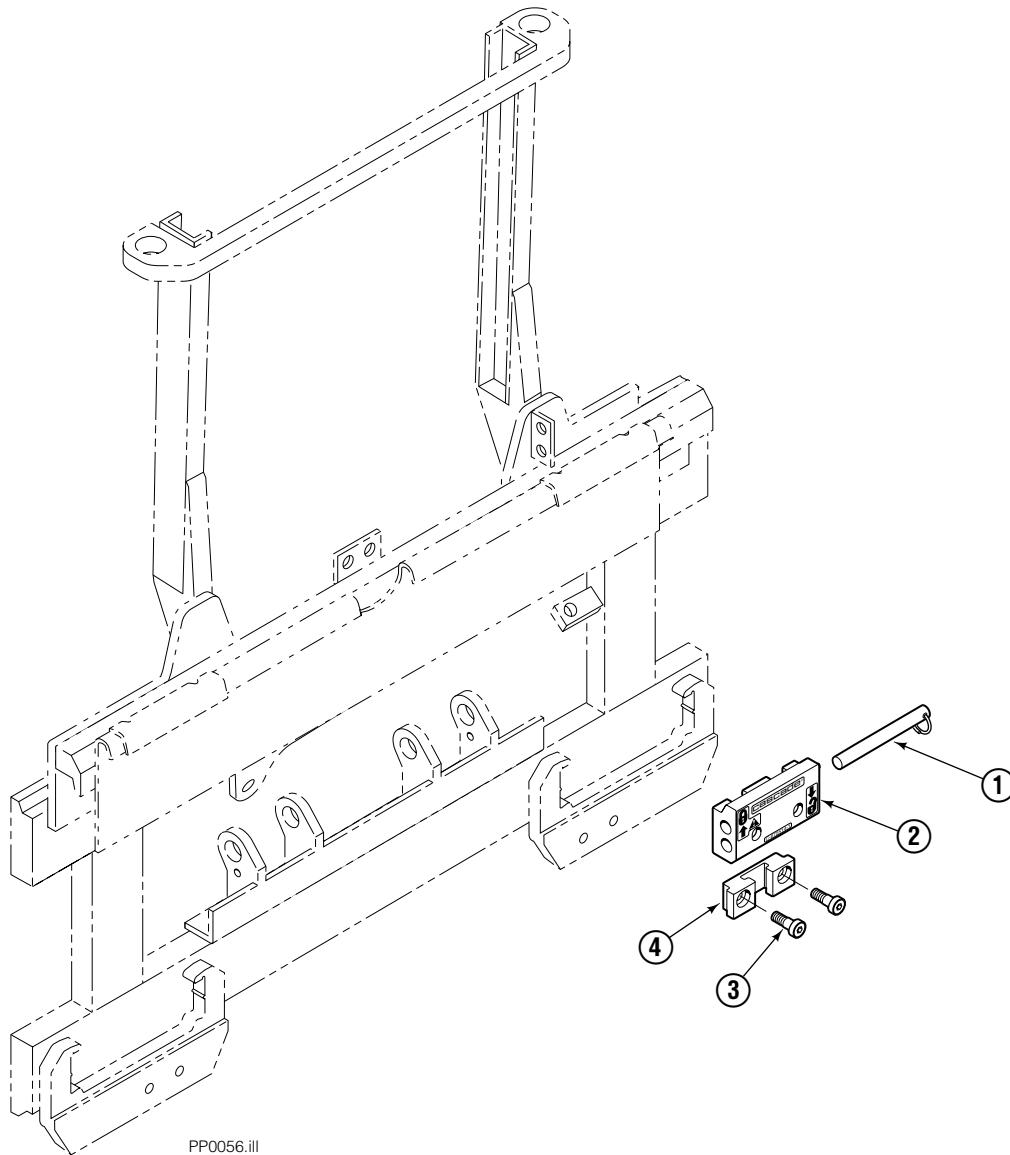
Non S/S Mounting Group ITA II



PP0065.III

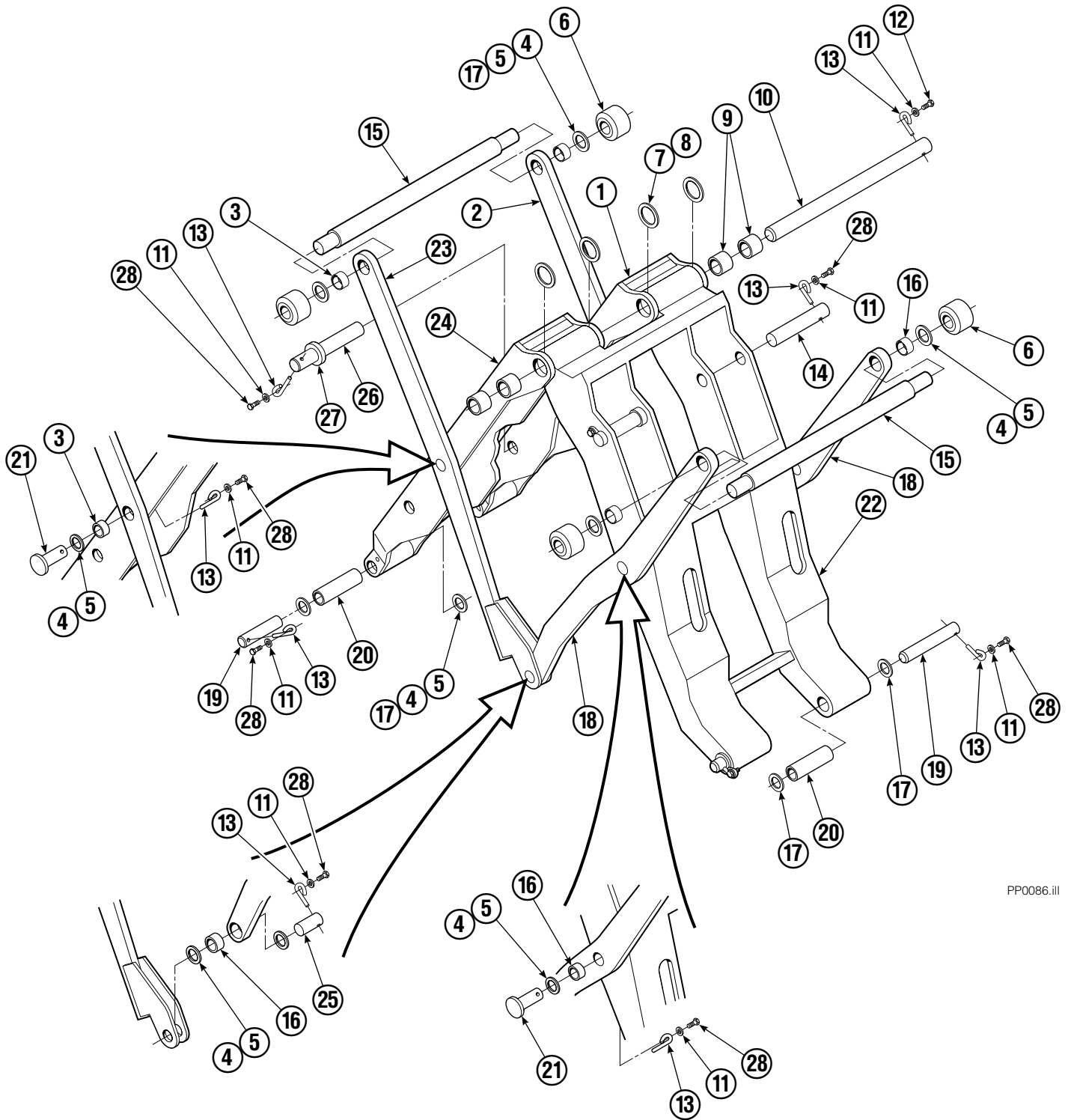
35E/45E			
REF	QTY	PART NO.	DESCRIPTION
		682832	Mounting Group-39" Wide
1	1	682550	Anchor Bracket-39" Wide
2	2	671165	Bearing Segment
3	2	768759	Setscrew
4	2	682814	Bearing
5	4	7403	Grease Fitting

Quick-Change Lower Hook Group ITA II



REF	QTY	PART NO.	DESCRIPTION
		683179	Lower Hook Group ITA II
1	2	678832	Pin
2	2	675514	Hook
3	4	683182	Capscrew
4	2	675515	Guide

Mechanism Group



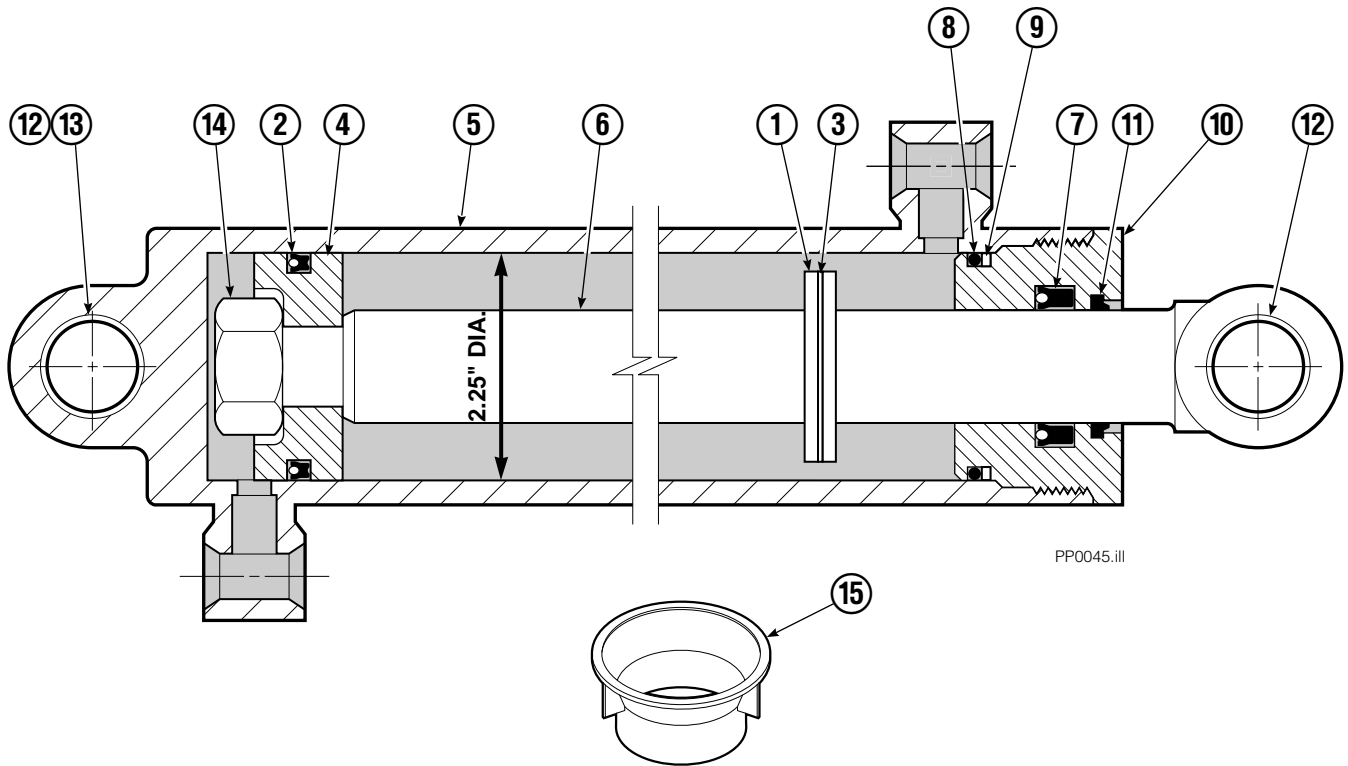
PP0086.ill

Mechanism Group

35E/45E			
REF	QTY	PART NO.	DESCRIPTION
		204644	Mechanism Group
1	1	204691	Arm-Inner Secondary R. H.
2	1	204692	Arm-Secondary Outer R. H.
3	4	683154	■ Bushing
4	●	683161	Shim (.030)
5	●	683162	Shim (.060)
6	4	205070	Roller
7	●	683163	Shim (.030)
8	●	683164	Shim (.060)
9	4	683155	■ Bushing
10	1	682821	Pin
11	15	6229	Washer
12	2	685661	Capscrew
13	15	682999	Eye-Pin
14	2	682822	Pin-Head
15	2	205065	Pin
16	6	683153	■ Bushing
17	●	204532	Shim (.12)
18	2	204694	Arm-Outer Primary
19	4	204533	Pin-Frame
20	4	204535	■ Bushing
21	4	204695	Pin
22	1	204604	Arm-Inner Primary
23	1	204693	Arm-Secondary Outer L. H.
24	1	204690	Arm-Inner Secondary L. H.
25	2	204696	Pin-Outer
26	2	682823	Pin-Rod
27	2	683165	Spacer
28	13	767961	Capscrew

- Quantity as required.
- Included in Bushing Service Kit 205075.

Cylinder

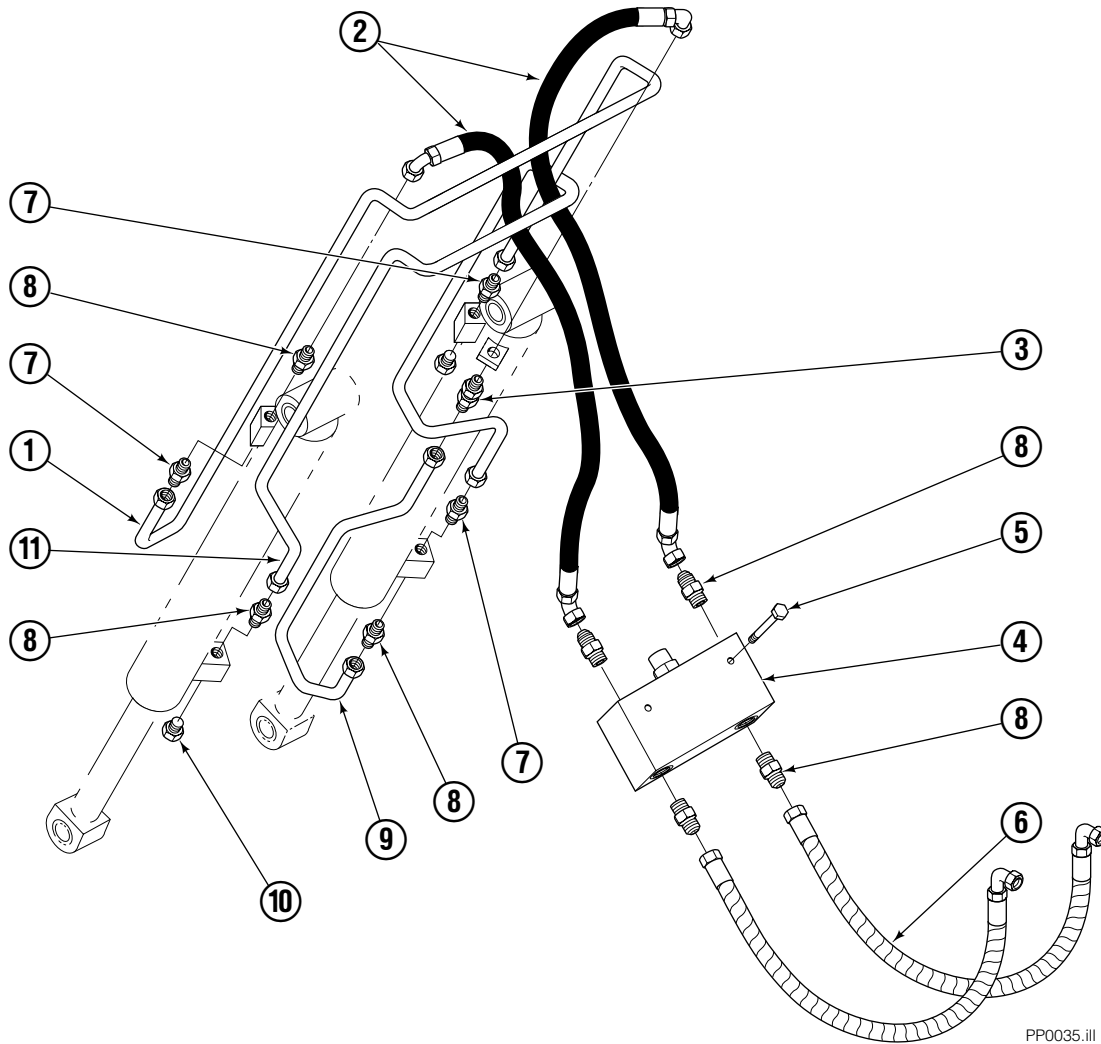


REF	QTY	PART NO.	DESCRIPTION
		582636	Cylinder Assembly
1	1	—	Spacer
2	1	564159	■ Seal
3	1	7348	Snap Ring
4	1	564161	Piston
5	1	562717	Shell
6	1	558626	Rod
7	1	662448	■ Seal
8	1	2787	■ O-Ring
9	1	615130	■ Back-Up Ring
10	1	558628	Retainer
11	1	636853	■ Wiper
12	4	559697	Bearing
13	1	559698	Spacer
14	1	678019	Nut
15	1	671048	■ Seal Loader Kit

■ Included in Service Kit 562339.

Reference: S-3424.

Hydraulic Group

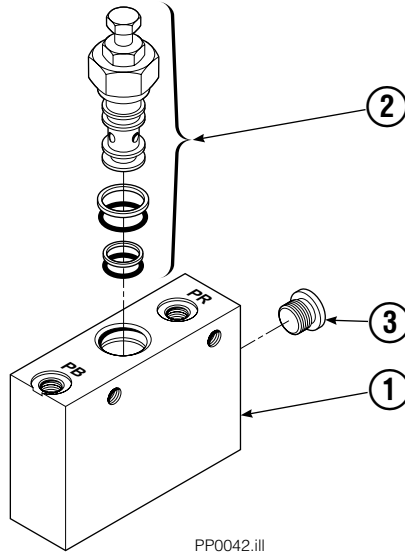


PP0035.iii

35E/45E			
REF	QTY	PART NO.	DESCRIPTION
		688382	Hydraulic Group ITA II
1	1	200649	Tube
2	2	683173	Hose
3	1	2375	Fitting, 6-6
4	1	688384	■ Valve
5	2	765329	Capscrew, M8x1.25x20-8.8
6	2	685980	Hose ITA II
7	4	605235	Fitting 5-6
8	6	604511	Fitting, 6-6
9	1	200647	Tube
10	2	604510	Plug, 6
11	1	200648	Tube

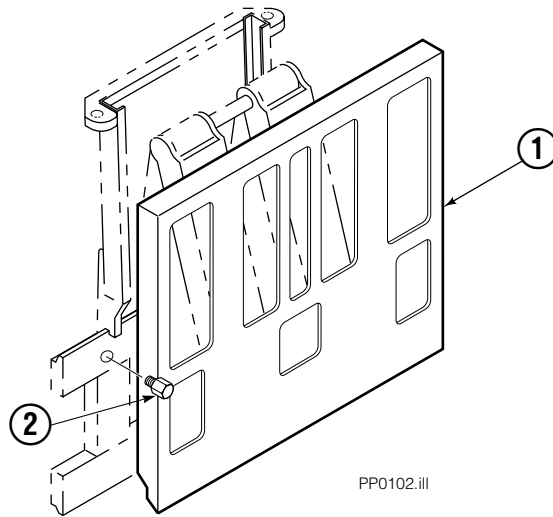
■ See Valve page for parts breakdown.

Valve Load Push



35E/45E			
REF	QTY	PART NO.	DESCRIPTION
		688384	Valve Assembly
1	1	688385	Body
2	1	687224	Relief Valve
3	2	663694	Fitting, 3

Faceplate Group Push



35E/45E			
REF	QTY	PART NO.	DESCRIPTION
		204635	Faceplate Group - 40" x 40" ★
1	1	204636	Faceplate - 40" x 40" ★
2	2	682850	Stop

★ Width x height.

Do you have questions you need answered right now? Call your nearest Cascade Parts Department. Visit us online at www.cascorp.com

Cascade Corporation
2501 Sheridan Avenue
Springfield, OH 45505
Tel: 888-CASCADE (227-2233)
FAX: 888-329-0234

Cascade Canada Inc.
5570 Timberlea Blvd.
Mississauga, Ontario
Canada L4W-4M6
Tel: 905-629-7777
FAX: 905-629-7785

Cascade GmbH
D-41199 Monchengladbach
Klosterhofweg 52
Germany
Tel: 49-216-668230
FAX: 49-216-6682323

Cascade Finland
Albert Petreliuksenkatu 3
01370 Vantaa
Finland
Tel: 358-9-836-1925
FAX: 358-9-836-1935

**Cascade N.V.
European Headquarters**
P.O. Box 3009
1300 El Almere
Damsluisweg 56
1332 ED Almere
The Netherlands
Tel: 31-36-5492911
FAX: 31-36-5492964

**Cascade N.V.
Benelux Sales and Service**
P.O. Box 3009
1300 El Almere
Damsluisweg 56
1332 ED Almere
The Netherlands
Tel: 31-36-5492950
FAX: 31-36-5492974

Cascade (UK) Ltd.
15, Orgreave Crescent
Dore House Industrial Estate
Handsworth
Sheffield S13 9NQ
England
Tel: 742-697524
FAX: 742-695121

Cascade Scandinavia AB
Box 124
Hammarvägen 10
567 23 Vaggeryd
Sweden
Tel: 42-0-393-36950
FAX: 46-0-393-36959

Cascade Norway
Østerliveien 37A
1153 Oslo
Norway
Tel: 47-22-743160
FAX: 47-22-743157

Cascade France S.A.R.L.
1D Rue De Charaintru
BP 18, 91360 Epinay-Sur-Orge
Morangis Cedex, France
Tel: 33-1- 64547500
FAX: 33-1-64547501

Cascade Hispania S.A.
Carrer 5 Sector C
Zona Franca Duanera
Poligono de la Zon Franca
08040 Barcelona, Spain
Office No. 256
Tel: 93-264-07-30
FAX: 93-264-07-31

Cascade Japan Ltd.
5-5-41,
Torikai Kami
Settsu, Osaka
Japan, 566
Tel: 81-726-53-3490
FAX: 81-726-53-3497

Cascade Korea
108B, Namdong Ind Complex
658-3 Gojan-Dong
Namdong-Gu
Inchon, 405-310 Korea
Tel: 82-32-821-2051
FAX: 82-32-821-2055

Cascade Australia
1445 Ipswich Road
Rocklea, QLD 4106
Australia
Tel: 1-800227-223
FAX: (07) 3373-7333

Cascade New Zealand
15 Ra Ora Drive
East Tamaki, Auckland
New Zealand
Tel: 9-273-9136
FAX: 9-273-9137

Cascade (Africa) Pty. Ltd.
P.O. Box 625, Isando 1600
60A Steel Road
Sparton, Kempton Park
South Africa
Tel: 27-11-975-9240
FAX: 27-11-394-1147

Cascade-Xiamen
No. 668 Yangguang Rd.
Xinyang Industrial Zone
Haicang, Xiamen City
Fujian Province
P.R. China 361026
Tel: 86-592-651-2500
FAX: 86-592-651-2571

**Cascade (Singapore)
Trading Co.**
Four Seasons Park
Autumn Block - Apt. 1802
12 Cuscaden Walk
Singapore
Tel: 65-834-1935
FAX: 65-834-1936

