



# Parts Manual

---

Model \_\_\_\_\_ Fork Positioner

Serial Number \_\_\_\_\_ 55F-FPS-232

---

**cascade**<sup>®</sup>  
corporation

**For Technical Assistance call:** 800-227-2233, Fax: 888-329-8207

**To Order Parts call:** 888-227-2233, Fax: 888-329-0234

**OR**

**Write:** Cascade Corporation, P.O. Box 20187, Portland, OR 97220

**Internet:** [www.cascorp.com](http://www.cascorp.com)

# Publications

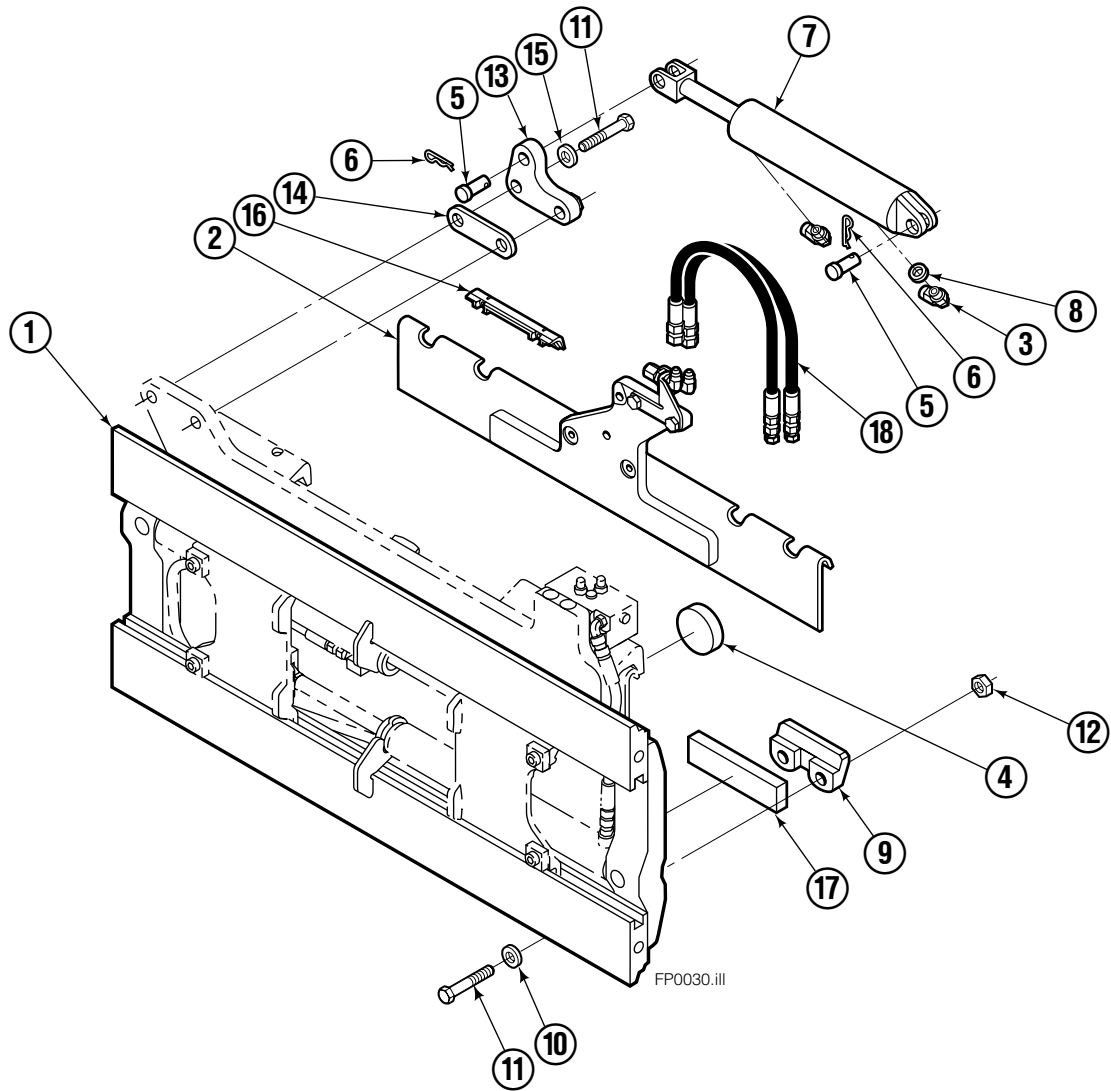


55F	
PART NO.	DESCRIPTION
	Parts Manual
208743	Service Manual
688261	Operators Guide
207363	Installation Instructions
680664	Servicing Cascade Cylinders-VHS
679929	Tool Catalog
673964	Literature Index Order Form

# Safety Decals



# Mounting Group Sideshifting

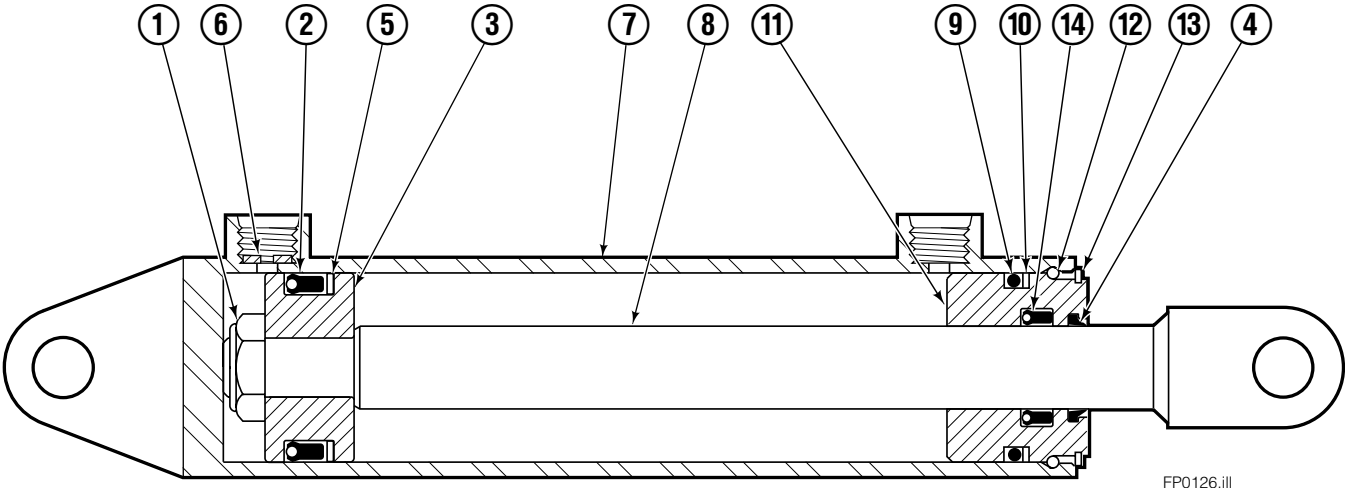


Reference:  
BC-101  
SK-5981  
2S-3988

<b>55F</b>							
REF	QTY	PART NO.	DESCRIPTION	REF	QTY	PART NO.	DESCRIPTION
		377245●	Sideshifting Mounting-41" ■	10	4	667225	Washer
1	1	397075	Frame-41" ■	11	6	766154	Capscrew, M16x2,0x40-8.8
2	1	377025	Anchor Bracket-41" ■	12	4	678990	Nut
3	2	601676	Fitting, 6-6	13	1	206909	Lug
4	1	—	Center Bearing-49" only	14	1	206910	Spacer
5	2	678525	Clevis Pin	15	2	684355	Lockwasher
6	2	672726	Hairpin Cotter	16	2	204187	Upper Bearing
◆7	1	675548	Cylinder Assembly	17	2	207209	Lower Bearing
8	1	675550	Washer (orifice .085)	18	2	207578	Hose
9	2	204186	Lower Hook				

- Carriage width.
- Includes items 2 through 17.
- ◆ See Cylinder page for parts breakdown.

# Sideshift Cylinder ITA Class III

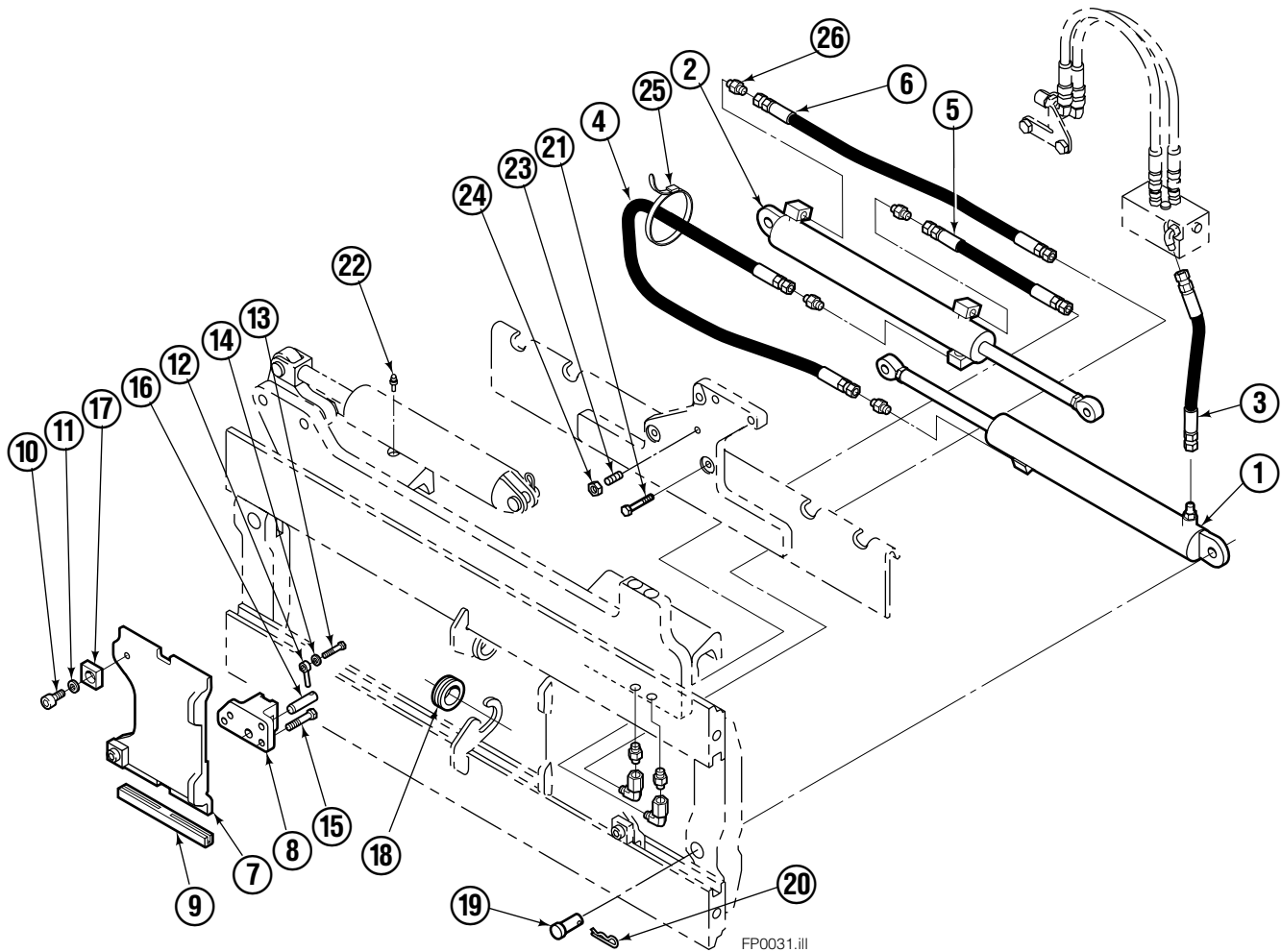


FP0126.ill

<b>55E</b>			
REF	QTY	PART NO.	DESCRIPTION
		675548	Cylinder Assembly
1	1	553857	Nut
2	1	662452	■ Seal
3	1	553501	Piston
4	1	636851	■ Wiper
5	1	638247	■ Back-up Ring
6	1	675550	Washer (orifice .085 in.)
7	1	675549	Shell
8	1	553449	Rod
9	1	2785	■ O-Ring
10	1	615128	■ Back-up Ring
11	1	553500	Retainer
12	1	553856	Retaining Ring
13	1	7202	Snap Ring
14	1	641835	■ Seal
		553861	Service Kit

■ Included in Service Kit 553861.

# Hydraulic/Fork Group



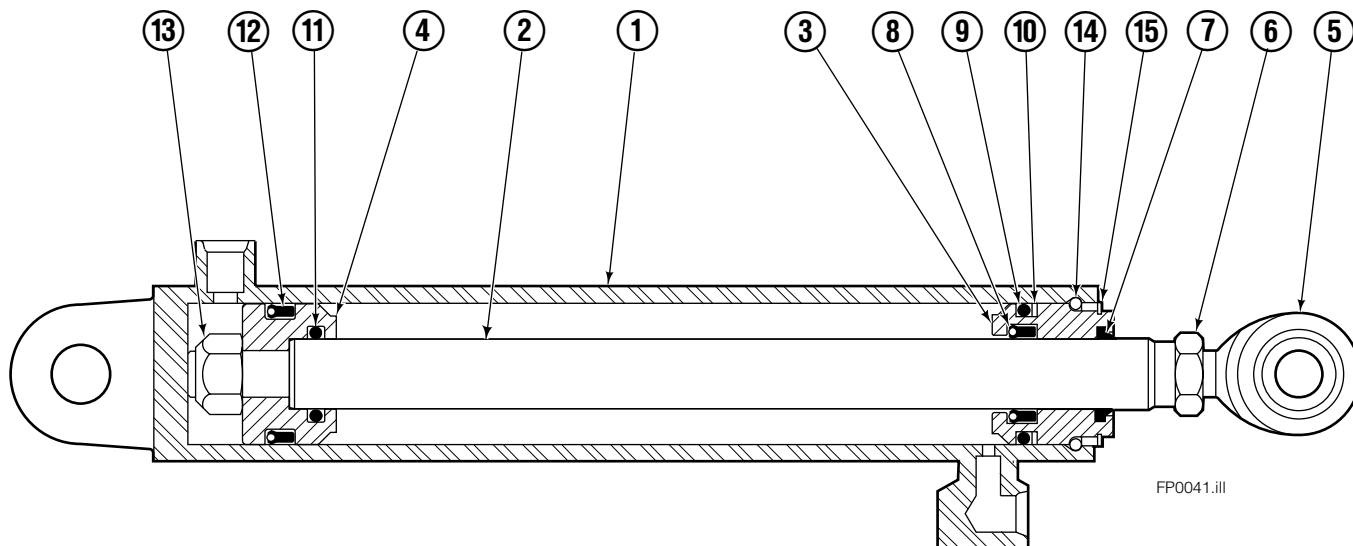
## 55F

REF	QTY	PART NO.	DESCRIPTION	REF	QTY	PART NO.	DESCRIPTION
		●375335	Hydraulic Group-41" ■	13	2	763169	Capscrew
		□206912	Fork Group	14	2	680217	Lockwasher
◆1	1	583944	Cylinder Assembly L. H. 41" ■	15	8	206924	Capscrew
▼2	1	583952	Cylinder Assembly R. H. 41" ■	16	2	206925	Pin
3	1	375369	Hose-41" ■	17	4	207552	Block
4	1	207568	Hose-41" ■	18	2	206916	Grommet
5	1	207565	Hose	19	2	206926	Clevis Pin
6	1	207569	Hose-41" ■	20	2	207210	Hairpin Cotter
7	2	207208	Fork Carrier	21	2	768551	Capscrew
8	2	206914	Lug	22	2	7403	Grease Fitting
9	4	206915	Bearing	23	1	768753	Setscrew
10	4	206922	Capscrew	24	1	207211	Jam Nut
11	4	678991	Lockwasher	25	1	200008	Cable Tie
12	2	206923	Eyebolt	26	6	617915	Fitting, 4-4

- Carriage width.
- ◆ See Left Hand Cylinder page for parts breakdown.
- ▼ See Right Hand Cylinder page for parts breakdown.

- Includes items 1 through 6.
- Includes items 7 through 26.

# Left Hand Cylinder



55F			
REF	QTY	PART NO.	DESCRIPTION
		583944	Cylinder Assembly – 41" ■
1	1	564169	Shell – 41" ■
2	1	564185	Rod – 41" ■
3	1	685664	Retainer
4	1	685665	Piston
5	1	564193	● Rod End
6	1	5718	● Nut
7	1	636850	● Rod Wiper
8	1	646540	● Rod Seal
9	1	2718	● O-Ring
10	1	615122	● Back-up Ring
11	1	2710	● O-Ring
12	1	663728	● Piston Seal
13	1	563462	Piston Nut
14	1	563916	Retaining Ring
15	1	3137	Snap Ring
		684827	Service Kit

■ Carriage width.

● Included in Service Kit 684827.

Reference: S-6140, S-6141.

# Right Hand Cylinder



<b>55F</b>			
REF	QTY	PART NO.	DESCRIPTION
		583952	Cylinder Assembly – 41" ■
1	1	564177	Shell – 41" ■
2	1	564185	Rod – 41" ■
3	1	685664	Retainer
4	1	685665	Piston
5	1	564193	● Rod End
6	1	5718	● Nut
7	1	636850	● Rod Wiper
8	1	646540	● Rod Seal
9	1	2718	● O-Ring
10	1	615122	● Back-up Ring
11	1	2710	● O-Ring
12	1	663728	● Piston Seal
13	1	563462	Piston Nut
14	1	563916	Retaining Ring
15	1	3137	Snap Ring
		684827	Service Kit

■ Carriage width.

● Included in Service Kit 684827.

Reference: S-6138, S-6139.

# Flow Divider Group

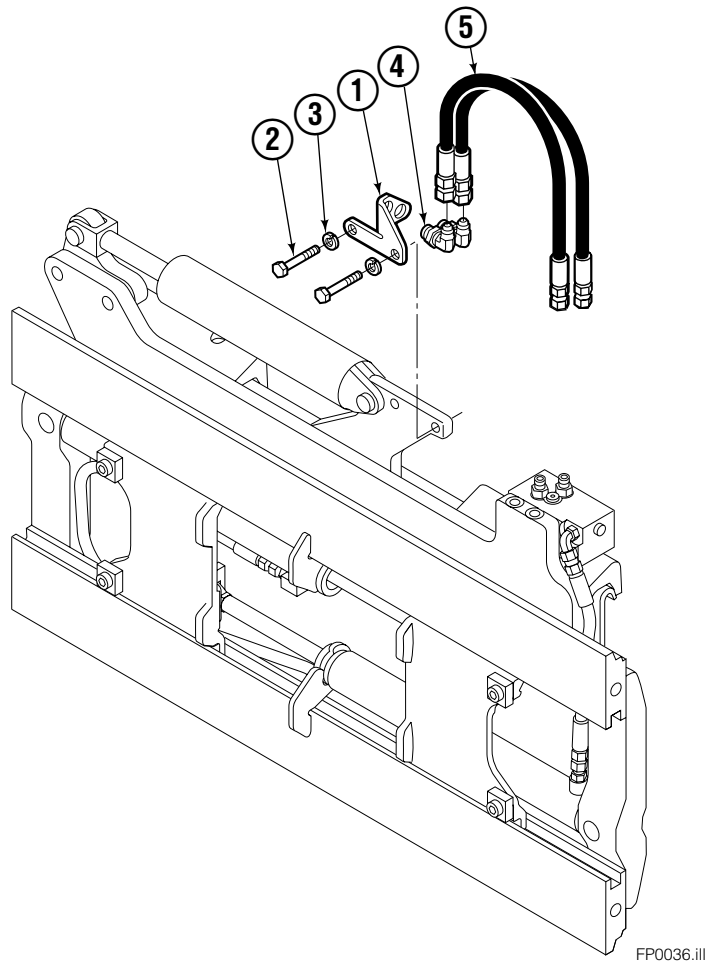


FP0035.iii

<b>55F</b>			
REF	QTY	PART NO.	DESCRIPTION
		206921	Flow Divider Group
1	1	206919	Valve ■
2	1	206918	Valve Body
3	1	207301	Cartridge-Combiner
4	2	663694	Fitting, 3
5	2	617915	Fitting, 4-4
6	1	617917	Fitting, 4-4
7	1	679992	Service Kit
8	3	685105	Capscrew
9	3	678993	Lockwasher
10	2	207300	O-Ring
11	6	617915	Fitting, 4-4
12	2	617641	Fitting, 4-4
13	2	609234	Fitting, 4-4
14	1	617916	Fitting, 4-4

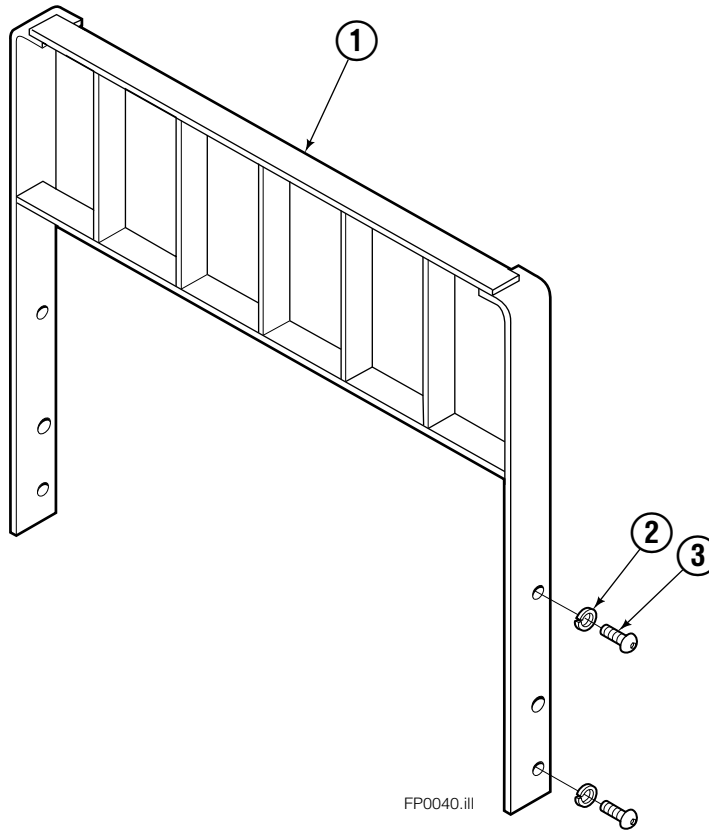
■ Includes items 1 through 7.

# Standard Installation Group



REF	QTY	PART NO.	DESCRIPTION
		207342	Installation Group
1	1	207314	Bracket
2	2	762899	Capscrew, M10X20-8.8
3	2	681238	Lockwasher
4	2	2453	Fitting, 8-8
5	2	207578	Hose

# Backrest



55F			
REF	QTY	PART NO.	DESCRIPTION
1	1	207131	Backrest – 41"x48" ■
2	4	684586	Lockwasher
3	4	200173	Capscrew

■ Width x Height.

Reference: S-3979.



**Do you have questions you need answered right now?** Call your nearest Cascade Parts Department. Visit us online at [www.cascorp.com](http://www.cascorp.com)

**Cascade Corporation**

2501 Sheridan Avenue  
Springfield, OH 45505  
Tel: 888-CASCADE (227-2233)  
FAX: 888-329-0234

**Cascade Canada Inc.**

5570 Timberlea Blvd.  
Mississauga, Ontario  
Canada L4W-4M6  
Tel: 905-629-7777  
FAX: 905-629-7785

**Cascade GmbH**

Dahlener Strasse 570  
41239 Mönchengladbach  
Germany  
Tel: 02166-68230  
FAX: 02166-682323

**Cascade Finland**

A. Petreliuksenkatu 3  
01370 Vantaa  
Finland  
Tel: 09-8361925  
FAX: 09-8361935

**Cascade N.V.  
Benelux Sales and Service**

Damsluisweg 56  
PO Box 3009  
1300 El Almere  
The Netherlands  
Tel: 036-5492950  
FAX: 036-5492974

**Cascade (UK) Ltd.**

Unit 5, Eden Close  
Hellaby Lane Ind. Estate  
Heellaby,  
Rotherham S66 8RW  
England  
Tel: 01709-704500  
FAX: 01709-704501

**Sales Scotland  
Macade Systems Ltd.**

18 Melford Road  
Righead Ind. Estate  
Bellshill ML4 3LR  
Scotland  
Tel: 01698-845777  
FAX: 01698-845888

**Cascade (Africa) Pty. Ltd.**

PO Box 625, Isando 1600  
60A Steel Road  
Sparton, Kempton Park  
South Africa  
Tel: 975-9240  
FAX: 394-1147

**Cascade Scandinavia AB**

Hammarvägen 10  
PO Box 124  
S-56723 Vaggeryd  
Sweden  
Tel: 039-336950  
FAX: 039-336959

**Cascade France  
S.A.R.L. MHP**

1D Rue De Charaintru  
BP 18,  
91360 Epinay-Sur-Orge  
France  
Tel: 01-6454-7500  
FAX: 01-6454-7501

**Cascade Hispania S.A.**

Carrer 5, Sector C  
Zona Franca Duanera  
Poligono de la Zona Franca  
08040 Barcelona  
Spain  
Tel: 93-264-07-30  
FAX: 93-264-07-31

**Sales Italy**

Via Ponzano 11  
50047 Prato  
Italy  
Tel: 0574-571726  
FAX: 0574-571726  
Mobile Phone: 0337-673029

**Sales Portugal FAG  
Santos Lda**

Rua do Mercado  
Lte 6, Loja 2-Tires  
2785-630  
S. Domingos De Rana  
Portugal  
Tel: 214-448-083  
FAX: 214-458-098

**Sales Switzerland  
Fahrzeugbedarf**

8810, Horgen  
Switzerland  
Tel: 01-7279797  
FAX: 01-7279798

**Sales Poland**

Targowa 35/61  
03-728 Warszawa  
Tel: 022-619 00 49  
FAX: 022-619 00 49  
Mobile Phone: 0501-27 29 55

**Sales Russia**

EMCG Material Handling  
Equipment  
Moscow  
Tel: 095-795-2400  
FAX: 095-795-2475  
Email: [emcg@dol.ru](mailto:emcg@dol.ru)

**Cascade Japan Ltd.**

5-5-41,  
Torikai Kami  
Settsu, Osaka  
Japan, 566  
Tel: 81-726-53-3490  
FAX: 81-726-53-3497

**Cascade Korea**

108B Namdong Ind. Complex  
658-3 Gojan-Dong  
Namdong-Gu  
Inchon, 405-310 Korea  
Tel: 82-32-821-2051  
FAX: 82-32-821-2055

**Cascade Australia**

1445 Ipswich Road  
Rocklea, QLD 4106  
Australia  
Tel: 1-800227-223  
FAX: (07) 3373-7333

**Cascade New Zealand**

15 Ra Ora Drive  
East Tamaki, Auckland  
New Zealand  
Tel: 9-273-9136  
FAX: 9-273-9137

**Cascade-Xiamen**

No. 668 Yangguang Rd.  
Xinyang Industrial Zone  
Haicang, Xiamen City  
Fujian Province  
P.R. China 361026  
Tel: 86-592-651-2500  
FAX: 86-592-651-2571

**Cascade (Singapore)  
Trading Co.**

Four Seasons Park  
Autumn Block - Apt. 1802  
12 Cuscaden Walk  
Singapore  
Tel: 65-834-1935  
FAX: 65-834-1936

