



Parts Manual

Model Single-Double Pallet Handler

Serial Number 55E-FDS-1111

cascade[®]
corporation

For Technical Assistance call: 800-227-2233, Fax: 888-329-8207

To Order Parts call: 888-227-2233, Fax: 888-329-0234

OR

Write: Cascade Corporation, P.O. Box 20187, Portland, OR 97220

Internet: www.cascorp.com

Decals



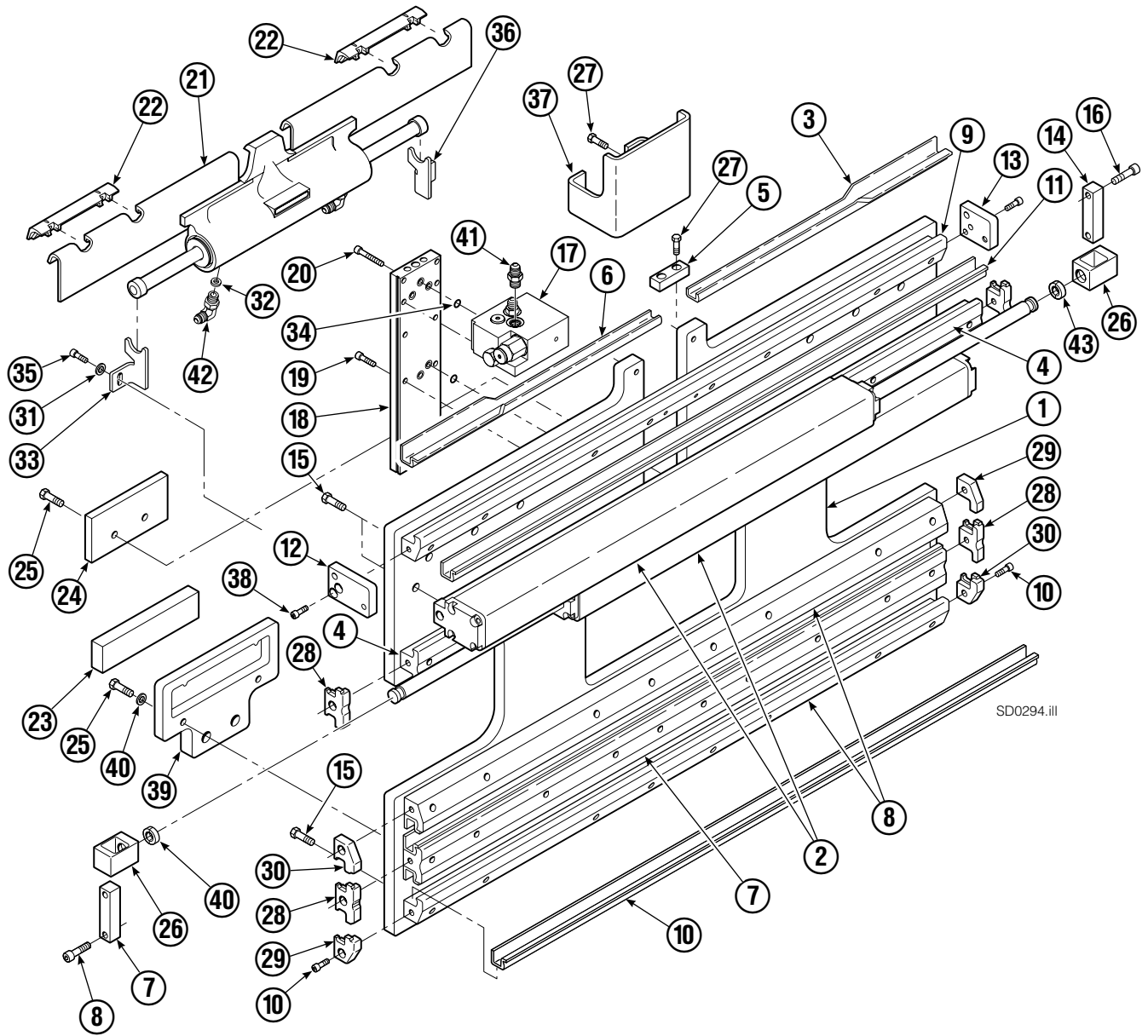
55E			
REF	QTY	PART NO.	DESCRIPTION
1	6	665595	No Hand Hold Decal
2	4	679150	No Step Decal

Publications

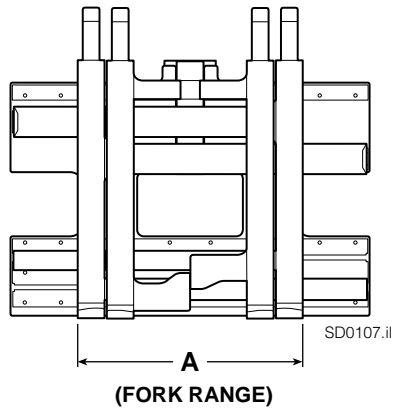


55E	
PART NO.	DESCRIPTION
214269	Parts Manual
213580	Operator's Guide
213372	Installation Instructions
679929	Tool Catalog
673964	Literature Index Order Form

Base Unit Group – ITA Class II



Base Unit Group – ITA Class II



NOTE: Position the outer forks to minimum width and measure **A** to determine minimum outer fork outside to outside (OTO) range.

55E			
REF	QTY	PART NO.	DESCRIPTION
		6104003	Base Unit Group – Class II
1	1	3010969	Baseplate
2	2	214620	Frame Cylinder ★
3	1	4786-0488	Bearing Segment – LH
4	2	214628	T-Bar – Upper
5	1	212722	Fork Stop
6	1	4787-0488	Bearing Segment – RH
7	1	214631	T-Bar – Lower
8	2	214633	T-Bar – Lower
9	1	220143	T-Bar – Upper
10	4	4730-1040	Bearing Segment
11	4	4730-1050	Bearing Segment

Common Parts

REF	QTY	PART NO.	DESCRIPTION	REF	QTY	PART NO.	DESCRIPTION
		6105187	Common Parts Group	28	4	210140	Bearing Retainer
12	1	220009	Retainer/Stop – RH	29	2	212585	Bearing Retainer
13	1	6101490	Retainer/Stop – LH	30	2	212586	Bearing Retainer
14	2	210489	Rod End Anchor ■	31	2	787398	Washer
15	15	211689	Capscrew	32	1	564226	Washer
16	2	768303	Capscrew, M10 x 35 ■	33	1	213737	Bracket – RH
17	1	216838	Valve Assembly ▲	34	7	214053	O-Ring
18	1	211456	Manifold	35	14	787375	Capscrew, M8 x 20 GR 8.8
19	10	768208	Capscrew, M8 x 25	36	1	213736	Bracket – LH
20	2	768810	Capscrew, M8 x 30	37	1	6007050	Valve Guard
21	1	205842	Sideshift Cylinder ●	38	37	214487	Capscrew, M12 x 40
22	2	204187	Upper Bearing	39	2	215226	Hanger
23	2	208350	Lower Bearing	40	4	787383	Lockwasher, M10
24	2	212709	Spacer Block	41	2	604511	Fitting, 6-6 ◆
25	8	767615	Capscrew, M10 x 25	42	2	601676	Fitting, 6-6 ◆
26	2	209741	Rod End ■	43	4	210490	Retainer Half Ring ■
27	2	684649	Capscrew, M10 x 25				

★ See Frame Cylinder page for parts breakdown.

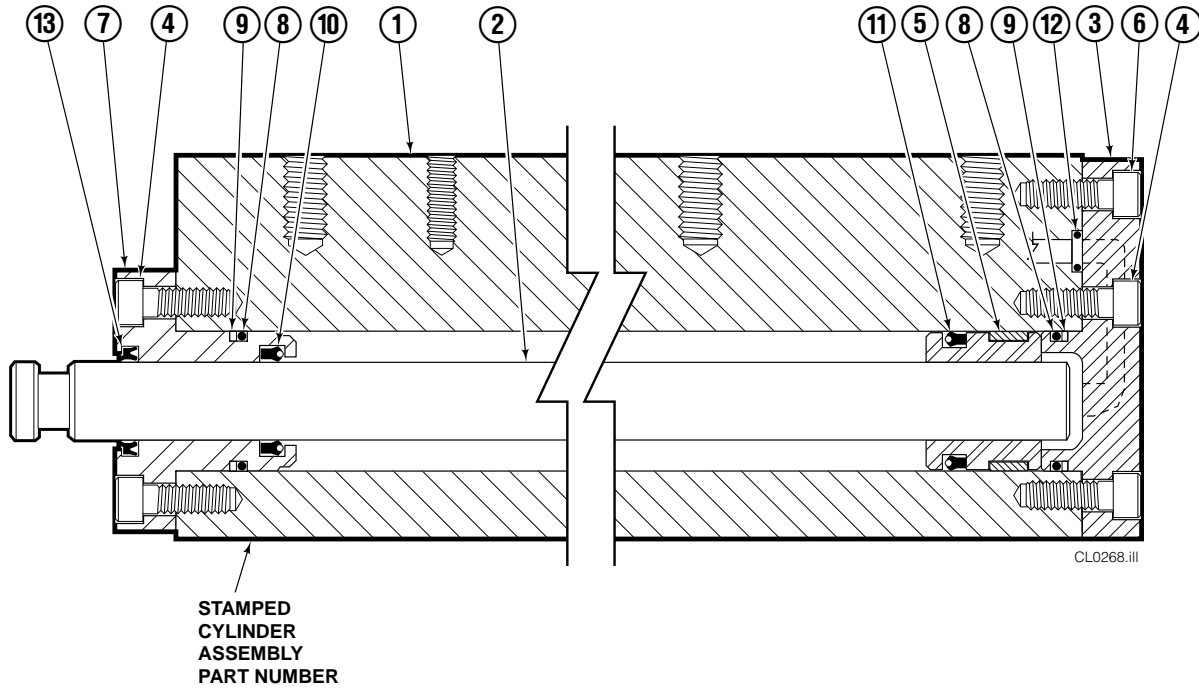
▲ See Valve Assembly page for parts breakdown.

■ Included in Cylinder Rod Anchor Kit 213856.

● See Sideshift Cylinder page for parts breakdown.

◆ Included in Fitting Group 213099.

Frame Cylinder



55E			
REF	QTY	PART NO.	DESCRIPTION
		214620	Cylinder Assembly
1	1	214621	Cylinder/Shell
2	1	4157-805	Rod
3	1	213783	End Cap
4	8	768208	Capscrew, M8 x 25
5	1	209809	Bearing ▲
6	1	787375	Capscrew, M8 x 20
7	1	212452	Retainer
8	3	643379	O-Ring ▲
9	2	210050	Back-Up Ring ▲
10	1	212477	Seal ▲
11	1	209808	Seal ▲
12	2	214053	O-Ring ▲
13	1	562131	Wiper ▲
		210090	Service Kit

▲ Included in Service Kit 210090.

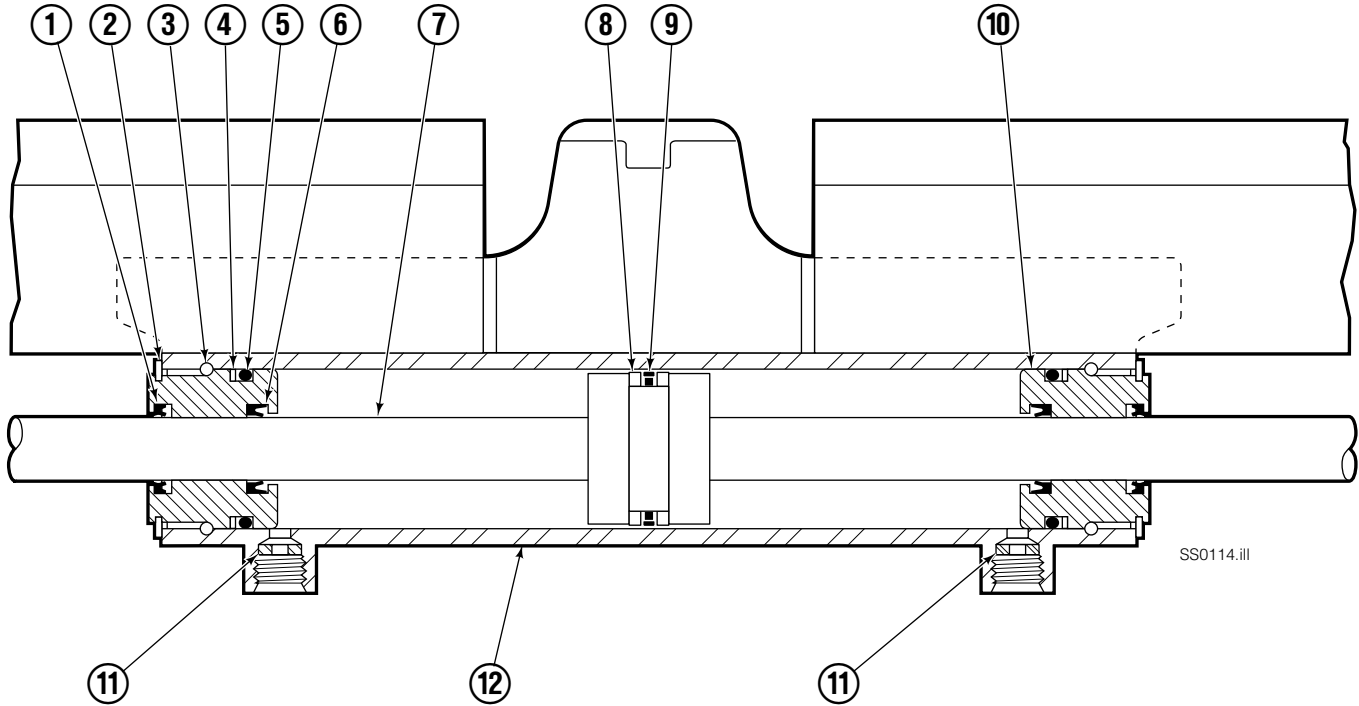
Reference: S-4643, S-4644.

Valve ITA Class III



55E			
REF	QTY	PART NO.	DESCRIPTION
		216838	Valve Assembly
1	1	219039	Check Valve
2	1	—	Service Kit
3	1	609234	Plug
4	1	216839	Valve Body
5	1	213535	Crossover Relief Valve
6	1	682170	Service Kit
7	1	219040	Flow Divider/Combiner
8	1	—	Service Kit

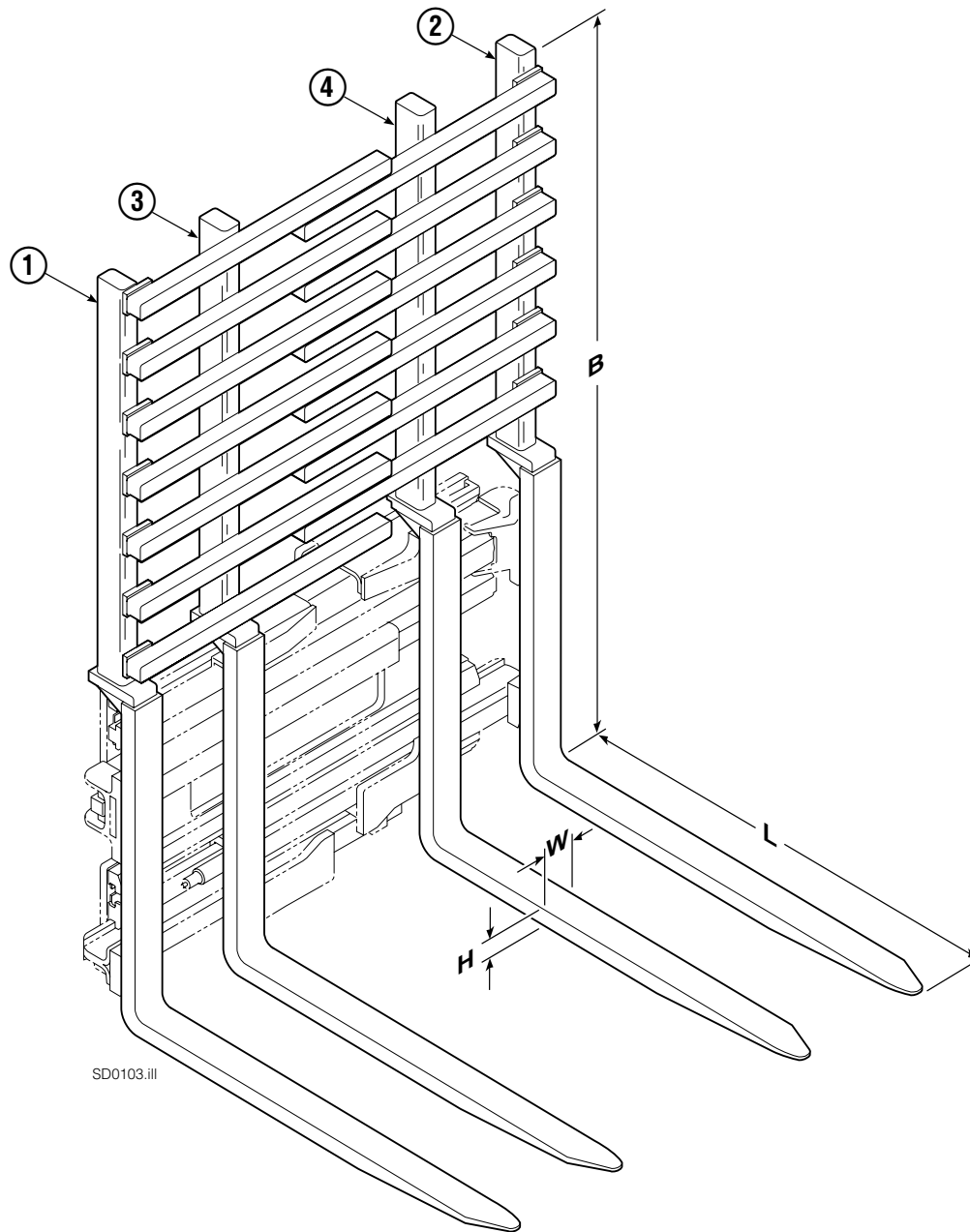
Sideshift Cylinder ITA Class II



55E			
REF	QTY	PART NO.	DESCRIPTION
		205842	Cylinder Assembly
● 1	2	562131	Wiper Seal
2	2	562951	Snap Ring
3	2	562942	Retaining Ring
● 4	2	563388	Back-Up Ring
● 5	2	562127	O-Ring
● 6	2	562132	Rod Seal
7	1	562055	Rod
● 8	2	563278	Bearing Ring
● 9	1	564141	Piston Seal
10	2	562792	Retainer
11	2	564226	Speed Control Washer ▲
12	-	■	Cylinder Shell
		563487	Service Kit

- Included in Service Kit 563487.
- Not serviceable, order new cylinder assembly.
- ▲ Reference: Restrictor Group 205369.

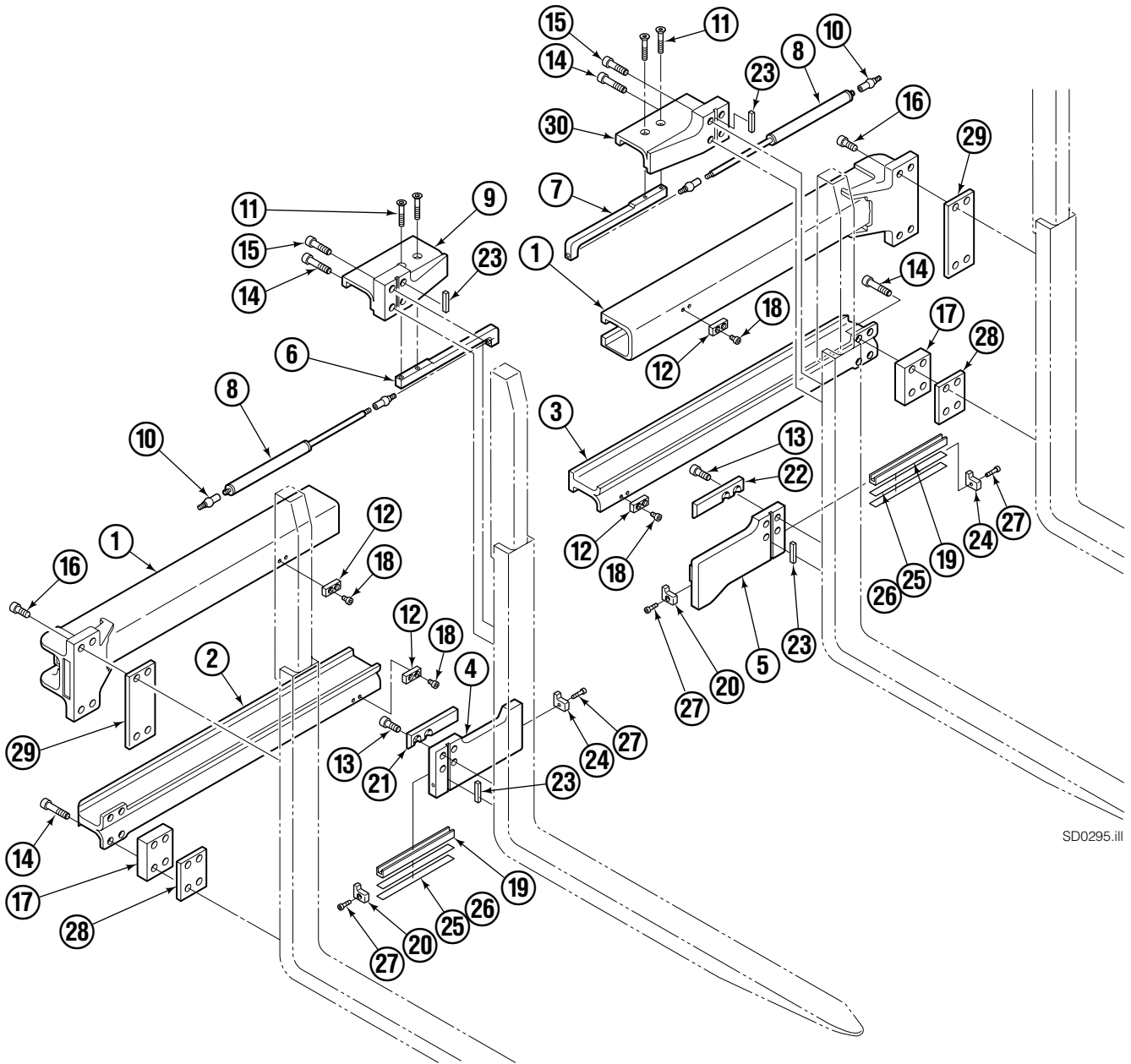
Interlocking Backrest/Fork Group



SD0103.iii

55E								
SIZE (IN.)				FORK GROUP PART NO.	REF 1	REF 2	REF 3	REF 4
L	W	H	B		Outer Fork-RH	Outer Fork-LH	Inner Fork-RH	Inner Fork-LH
46.0	3.2	2.0	70	391341	392149	392147	392153	392151

Arm Group



SD0295.ill

Arm Group

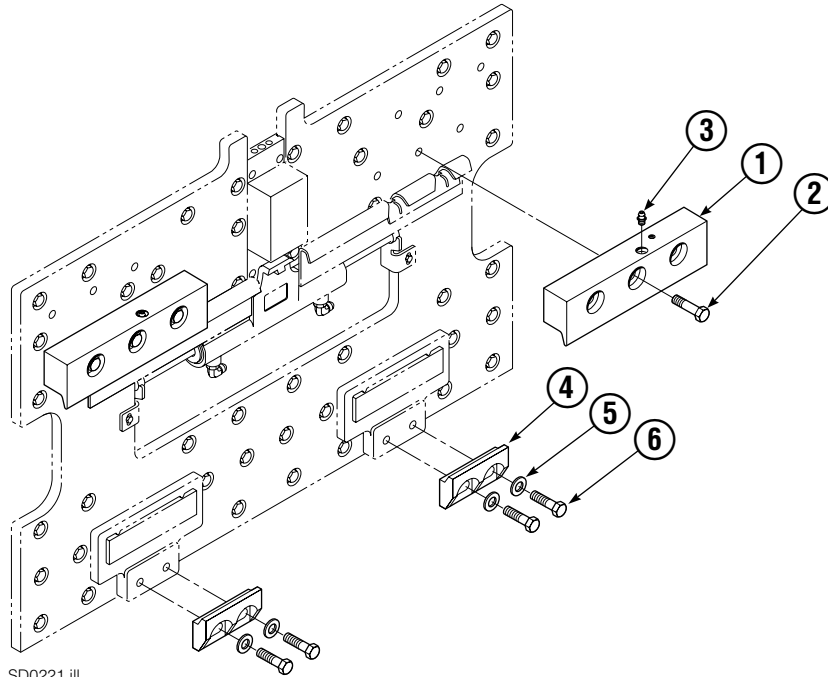
REF	QTY	PART NO.	DESCRIPTION
		6104469	Arm Group
1	2	220175	Upper Arm Bar
2	1	220214	Lower Arm Bar – RH
3	1	220204	Lower Arm Bar – LH
4	1	220135	Lower Hook – RH
5	1	220138	Lower Hook – LH
6	1	28088-0335	Bracket – RH
7	2	28087-0335	Bracket – LH
8	2	6104267	Gas Spring

Common Parts

REF	QTY	PART NO.	DESCRIPTION	REF	QTY	PART NO.	DESCRIPTION
9	1	220095	Upper Hook – RH	20	2	212979	Bearing Retainer
10	2	213011	Ball Joint	21	1	212682	Bearing – RH
11	4	766646	Capscrew, M10 x 20	22	1	213899	Bearing – LH
12	4	212687	Fork Stop	23	4	213364	Key
13	8	769574	Capscrew, M16 x 35	24	2	213360	Bearing Retainer
14	12	769578	Capscrew, M16 x 60	25	4	212559	Shim, .04 in. (1 mm)
15	4	769577	Capscrew, M16 x 50	26	4	213913	Shim, .02 in. (.5 mm)
16	8	769573	Capscrew, M16 x 30	27	4	787375	Capscrew, M8 x 20
17	2	210587	Spacer	28	4	797611	Spacer
18	4	214414	Capscrew, M10 x 12	29	4	797610	Spacer
19	2	4501-0222	Bearing Segment	30	1	6101471	Upper Hook – LH

Reference: SK-6373 and 6374. Common Parts Group 220285.

Mounting Group ITA Class II



SD0221.ill

55E			
REF	QTY	PART NO.	DESCRIPTION
		212569	Upper Hook Group ▲
		211173	Lower Hook Group ★
1	2	210591	Upper Hook
2	6	751511	Capscrew, M16 x 55
3	2	7403	Grease Fitting
4	2	675514	Lower Hook
5	4	678832	Washer
6	4	221304	Capscrew, M16 x 30

▲ Includes items 1 & 2.

★ Includes items 4-6.

Reference: SK-6373.

Do you have questions you need answered right now? Call your nearest Cascade Parts Department.

Cascade Corporation
2501 Sheridan Avenue
Springfield, OH 45505
Tel: 888-CASCADE (227-2233)
FAX: 888-329-0234
www.cascorp.com

Cascade Canada Inc.
5570 Timberlea Blvd.
Mississauga, Ontario
Canada L4W-4M6
Tel: 905-629-7777
FAX: 905-629-7785

Cascade GmbH
D-41199 Monchengladbach
Klosterhofweg 52
Germany
Tel: 21-66-602091
FAX: 21-66-680947

Cascade Finland
01370 Vantas
Finland
Tel: 358-0-836-1925
FAX: 358-0-836-1935

**Cascade N.V.
European Headquarters**
P.O. Box 3009
1300 El Almere
Damsluisweg 56
1332 ED Almere
The Netherlands
Tel: 31-36-5492911
FAX: 31-36-5492964

**Cascade N.V.
Benelux Sales and Service**
P.O. Box 3009
1300 El Almere
Damsluisweg 56
1332 ED Almere
The Netherlands
Tel: 31-36-5492950
FAX: 31-36-5492974

Cascade (UK) Ltd.
15, Orgreave Crescent
Dore House Industrial Estate
Handsworth
Sheffield S13 9NQ
England
Tel: 742-697524
FAX: 742-695121

**Cascade Scandinavia
Hydraulik A.B.**
Muskötgatan 19, E8-9
S25466 Helsingborg
Sweden
Tel: 42-151135
FAX: 42-152997

Cascade Norway
Østerliveien 37A
1153 Oslo
Norway
Tel: 47-22-743160
FAX: 47-22-743157

Cascade France S.A.R.L.
11, Rue Jean Charcot
Zone Industrielle Sud or
B.P. 22
91421 Morangis Cedex
France
Tel: 1- 64547501
FAX: 1-9790584

Cascade Hispania S.A.
Avenida De La Fabregada, 7
Hospitalet De Llobregat
Barcelona
Spain
Tel: 3-335-5158
FAX: 3-335-4756

Cascade Japan Ltd.
5-5-41,
Torikai Kami
Settsu, Osaka
Japan, 566
Tel: 81-726-53-3490
FAX: 81-726-53-3497

Cascade Korea
Room 508, Pum Yang Bldg.
750-14, Bang Bac-Dong
Se-Cho Ku, Seoul
Korea
Tel: 2599-7131 ext. 512
FAX: 2533-8089

HYCO-Cascade Pty. Ltd.
1445 Ipswich Road
Rocklea,
Queensland 4107
Australia
Tel: 3-274-2722
FAX: 3-274-3456

HYCO-Cascade (NZ) Ltd.
15 Ra Ora Drive, East Tamaki
P.O. Box 38-440
Howick, Auckland
New Zealand
Tel: 9-273-9136
FAX: 9-273-9137

Cascade (Africa) Pty. Ltd.
P.O. Box 625, Isando 1600
60A Steel Road
Sparton, Kempton Park
South Africa
Tel: 975-9240
FAX: 394-1147

Cascade-Xiamen
Wanshan No. 1 Workshop
Huli Road
Xiamen 361006
Fujian, PRC
Tel: 592-562-4600
FAX: 592-562-4671

**Cascade (Singapore)
Trading Co.**
Four Seasons Park
Autumn Block - Apt. 1802
12 Cascaden Walk
Singapore
Tel: 65-834-1935
FAX: 65-834-1936

