



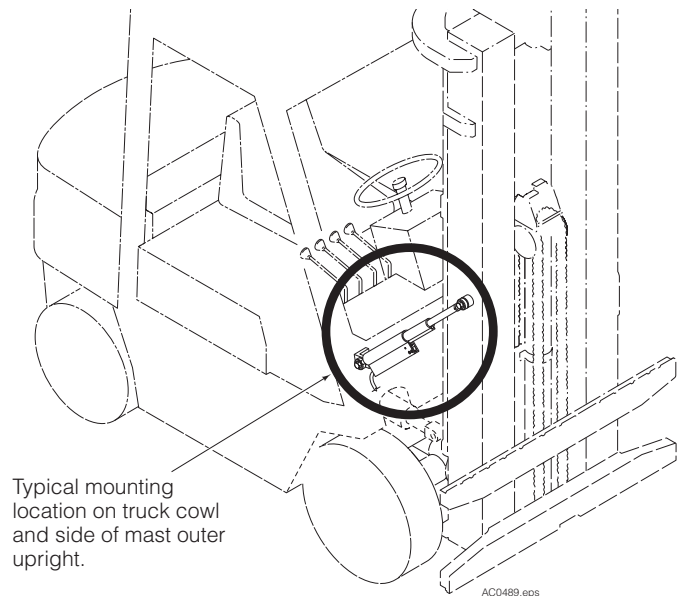
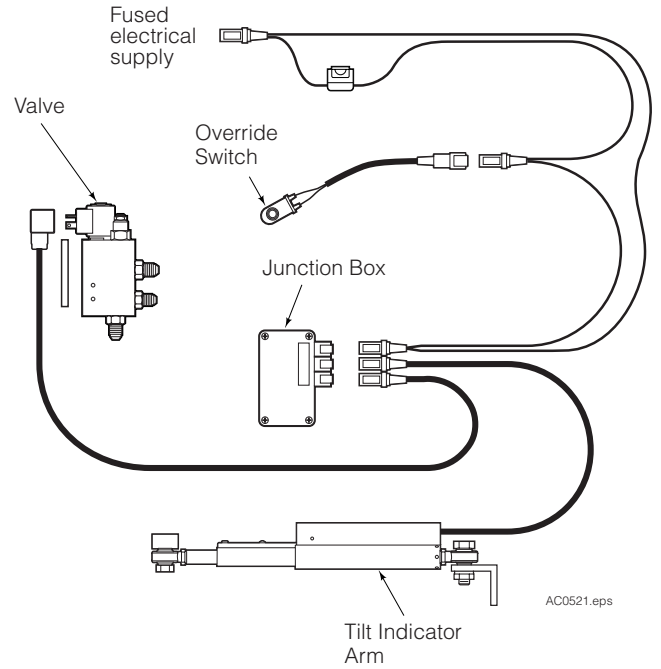
# Installation Instructions

## Tilt Control Mounting Locations for Specific Lift Trucks

This sheet provides specific mounting locations for Cascade Tilt Control. The tilt control positions the mast or attachment at true vertical from back tilt or forward tilt for precision handling of paper rolls and other applications such as rack storage. Components for tilt control are shown and truck models listed below.

Truck	Model	Tilt Group	Page
Advance Veh.	GAV-300-24	6018422	2
CAT	DP40KL-D	6057932	6
CAT	EC25K	6055437★	3
		6092308	3
CAT	EP16KT	6055437★	4
		6092308	4
CAT	GC70K	6045592★	5
		6092311	5
CAT	P4000-G	6057932	6
	P6000-D		
CAT	GP40K-LP	6099489	7
Clark	CGC70	6809370	8
Hoist	180	6018422	9
Hyster	H360XL2	6028702	10
Hyster	H5.00DX	6080527	11
Hyster	S155XL	6018486	12
Komatsu	FD100-T6	6025062	13
Komatsu	FG25T-16	6018422	14
	FG30HT-16		
Komatsu	FG45ST-8	6018486	15
Linde	E30P600	6024541	16
Nissan	JPD80Y	6063218	17
Taylor	T-360L	6059873	18
TCM	FHG30	6018486	19
Toyota	7FDU70	6070813	20

★ Kits are obsolete. Parts available for service.



Part No. 6018487-R19

**cascade**®  
**corporation**

For Technical Support . . .

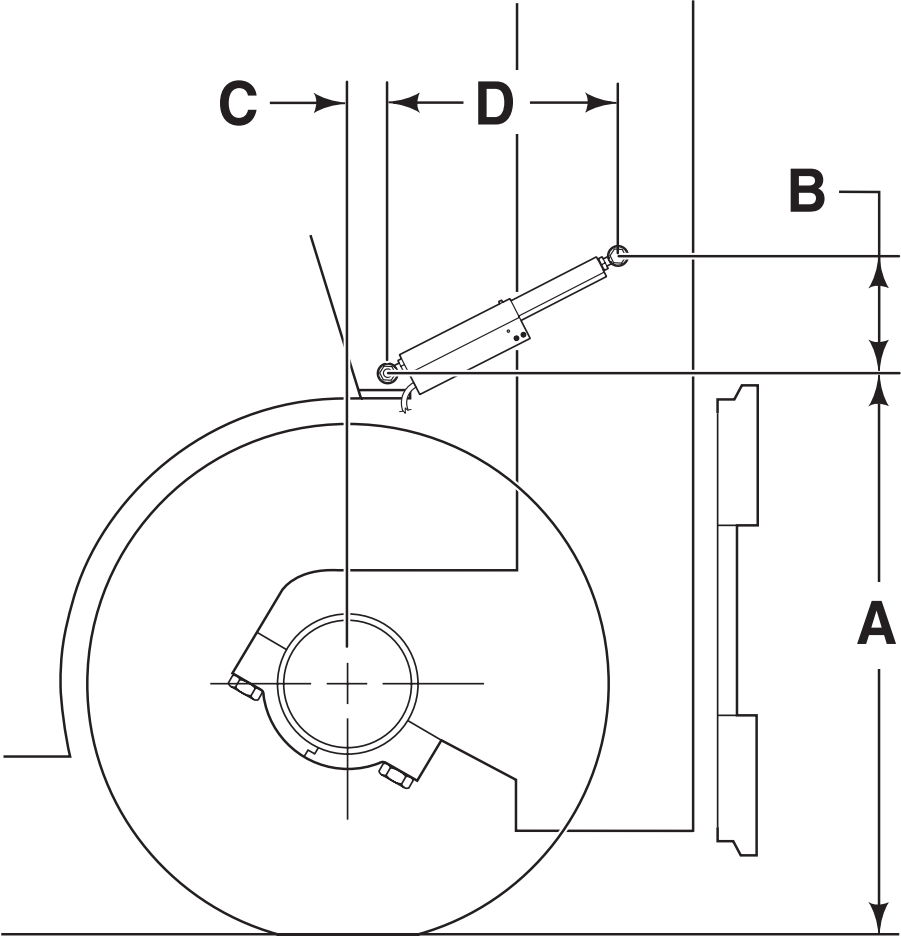
Call: 1-800-227-2233 Fax: 1-888-329-8207  
Internet: [www.cascorp.com](http://www.cascorp.com)  
Write: Cascade Corporation, PO Box 20187, Portland, OR 97294

To Order Parts . . .

Call: 1-888-227-2233 Fax: 1-888-329-0234  
Internet: [www.cascorp.com](http://www.cascorp.com)  
Write: Cascade Corporation, 2501 Sheridan Ave., Springfield, OH 45505

# Advance Vehicles GAV-300-24

## Tilt Group 6018422



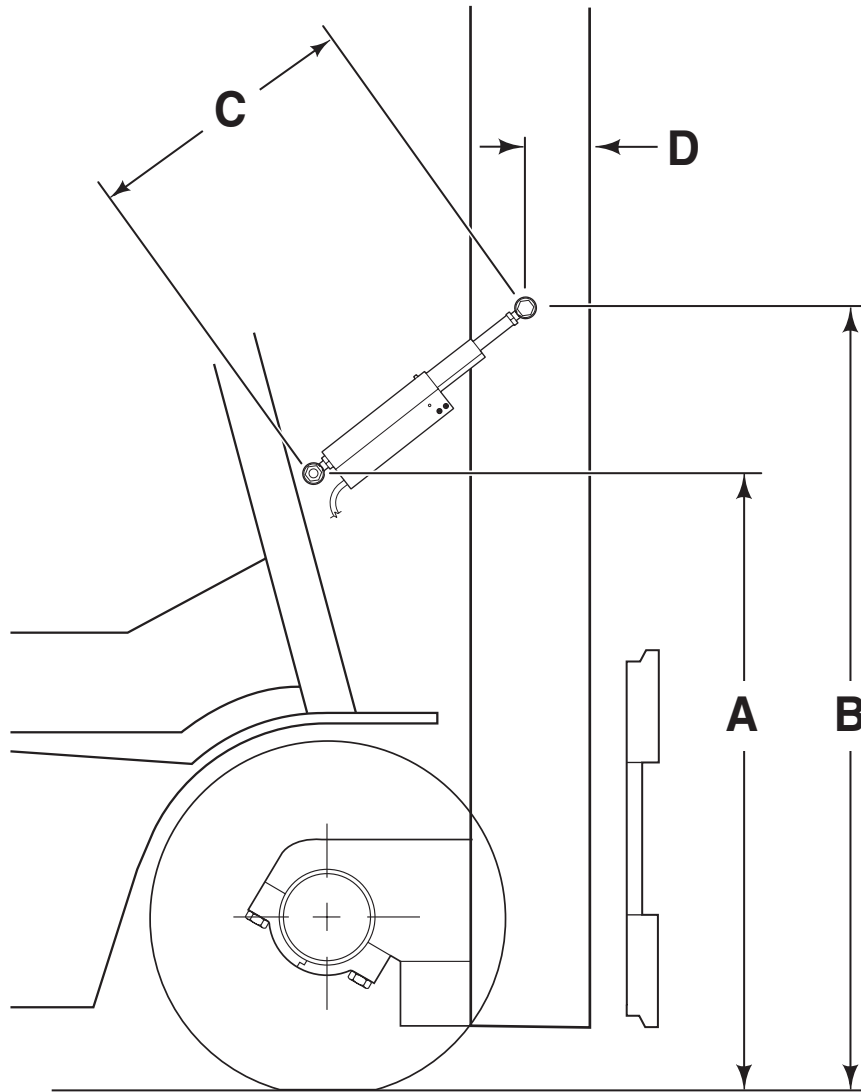
AC1245.eps

Model	Base Height A in. (mm)	Rod Height B in. (mm)	Axel to Base C in. (mm)	Horizontal Extension D in. (mm)
GAV-300-24	29.16 (740)	6.34 (161)	2.25 (57)	12.45 (316)

Reference: SK-9339

# CAT EC25K

## Tilt Group 6055437, 6092308 – 48V



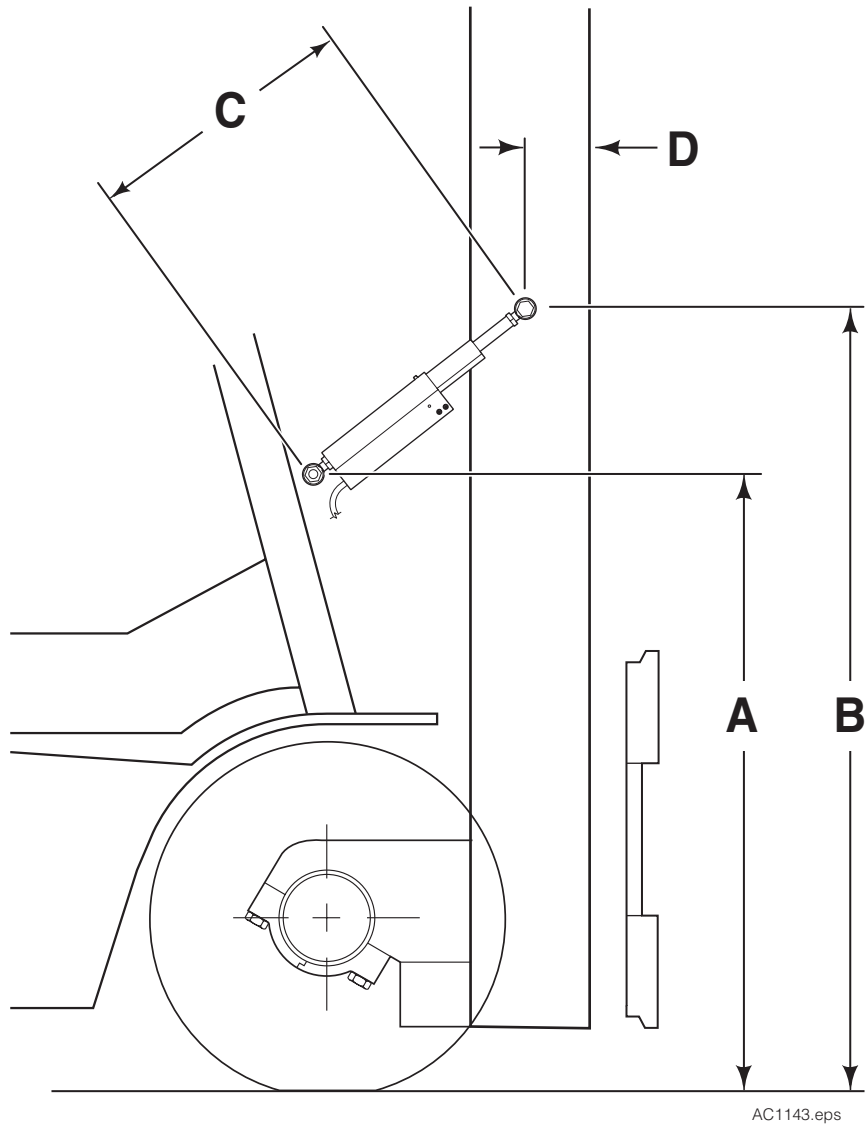
AC1143.eps

Model	Base Height A in. (mm)	Rod Height B in. (mm)	Neutral Length C in. (mm)	Mast Face Setback D in. (mm)
Cat EC25K	34.1 (866)	43.8 (1112)	15.7 (398)	3.4 (87.5)

Reference: SK-8680

# CAT EP16KT

## Tilt Group 6055437, 6092308 – 48V

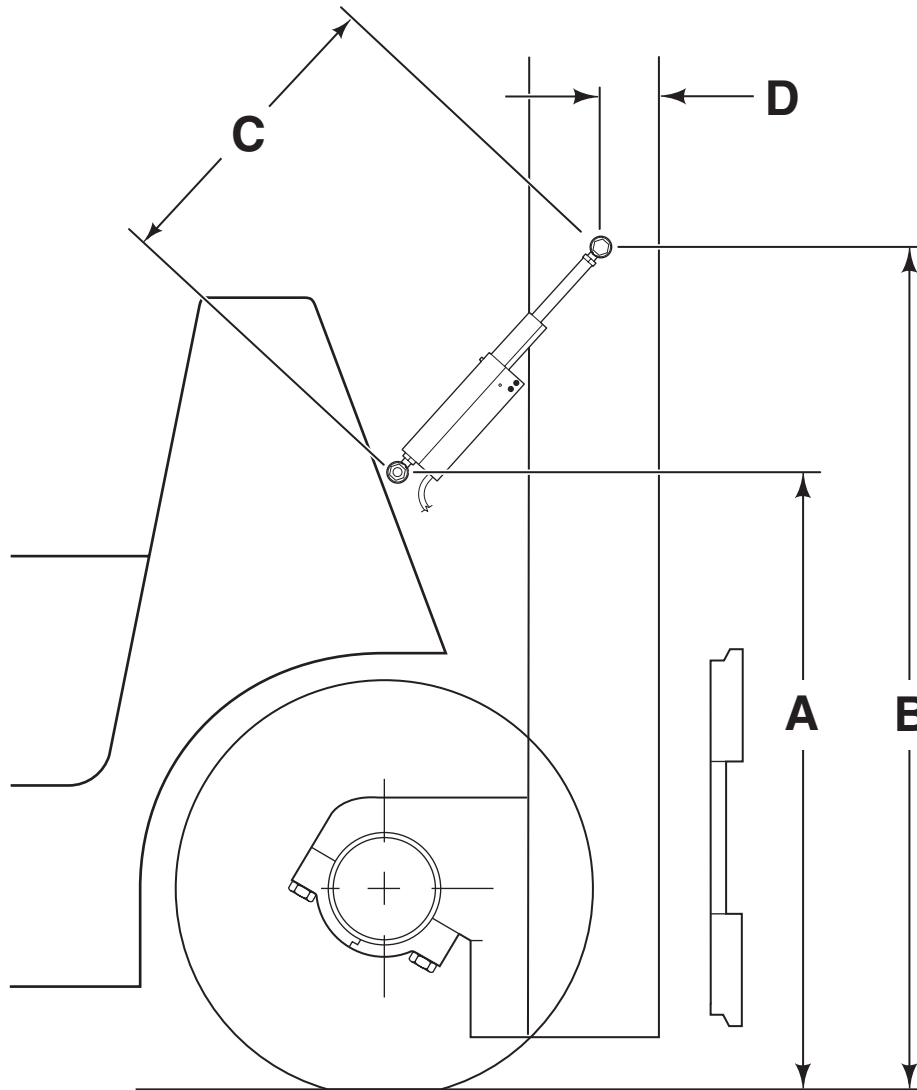


Model	Base Height A in. (mm)	Rod Height B in. (mm)	Neutral Length C in. (mm)	Mast Face Setback D in. (mm)
Cat EP16KT	31.0 (787)	39.7 (1007)	13.5 (342)	2.4 (61)

Reference: SK-8721

# CAT GC70K

## Tilt Group 6045592, 6092311 – 12V



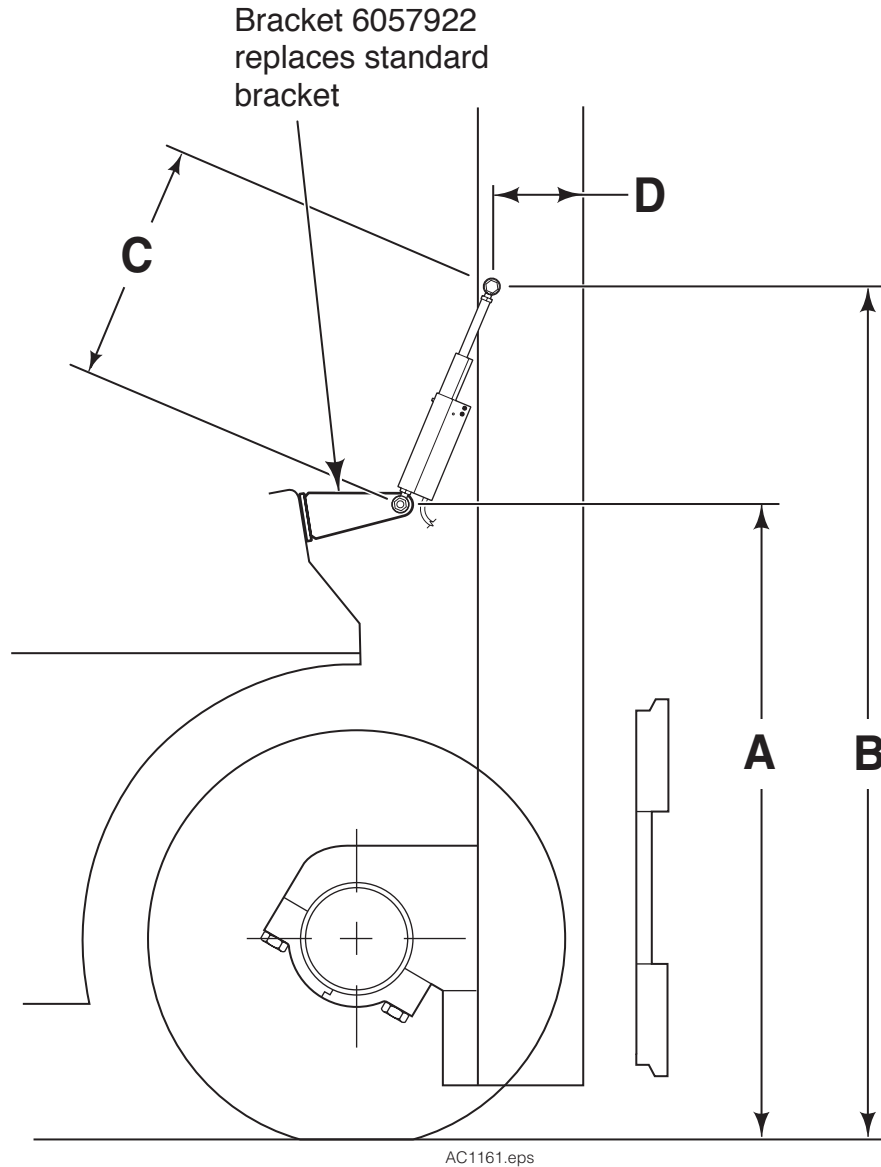
AC0968.eps

Model	Base Height A in. (mm)	Rod Height B in. (mm)	Neutral Length C in. (mm)	Mast Face Setback D in. (mm)
Cat GC70K	45.3 (1152)	61.2 (1555)	21.6 (550)	5.5 (141)

Reference: SK-8270

# CAT DP40KL-D, P4000-G & P6000-D

## Tilt Group 6057932 – 12V

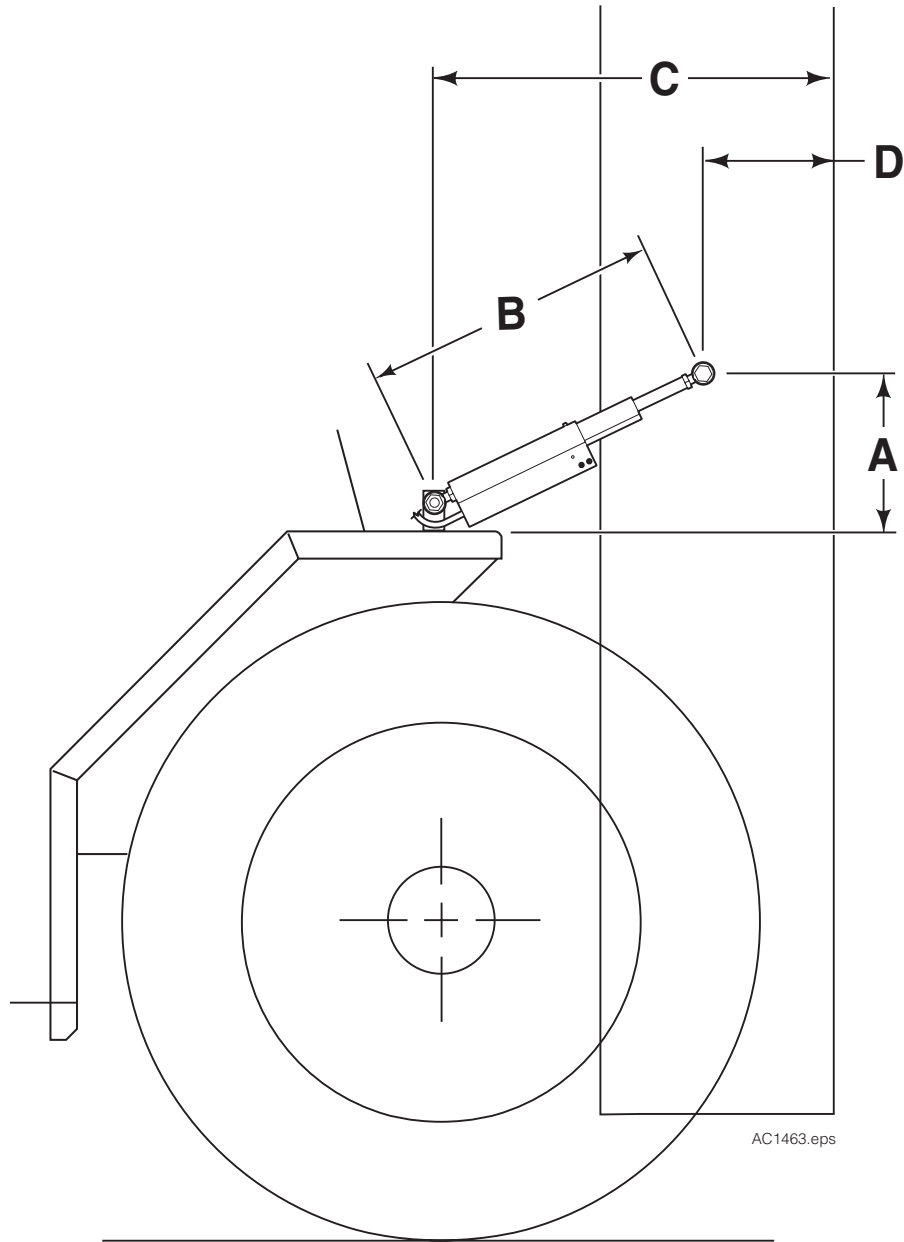


Model	Base Height A in. (mm)	Rod Height B in. (mm)	Neutral Length C in. (mm)	Mast Face Setback D in. (mm)
Cat DP40KL-D	47.0 (1194)	59.3 (1506)	15.1 (384)	4.4 (112)
Cat P4000-G	39.8 (1012)	53.3 (1354)	14.6 (372)	5.4 (138)
Cat P6000-D	41.3 (1050)	53.7 (1363)	15.1 (383)	3.9 (99)

Reference: SK-10624 (DP40KL-D), SK-8842 (P4000-G), SK-10613 (P6000-D)

# CAT GP40K-LP

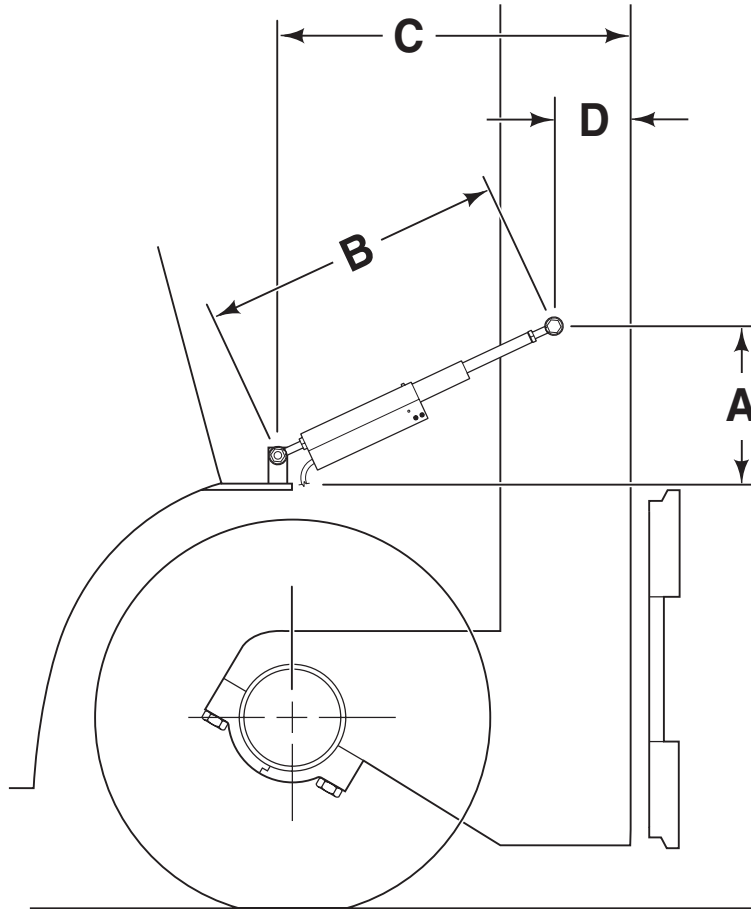
## Tilt Group 6099489



Model	Rod Height A in. (mm)	Neutral Length B in. (mm)	Base Setback C in. (mm)	Mast Face Setback D in. (mm)
CAT GP40K-LP	5.65 (143.6)	14.9 (378.5)	15.5 (392.9)	1.14 (29.1)

# Clark CGC70

## Tilt Group 6809370



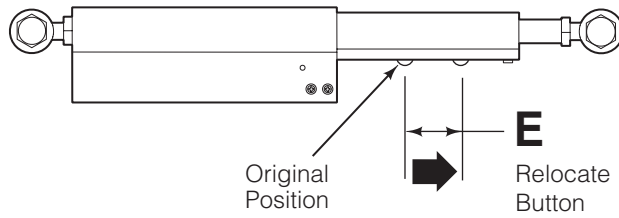
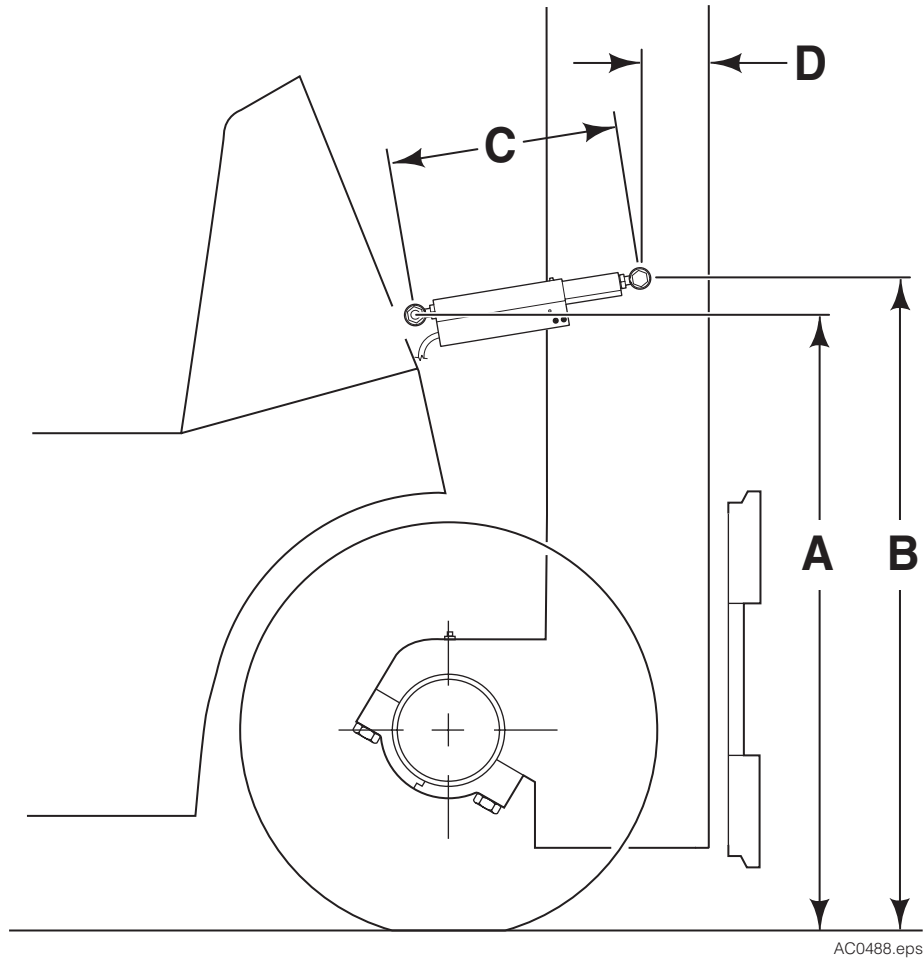
AC1996.eps

Model	Rod Height A in. (mm)	Neutral Length B in. (mm)	Base Setback C in. (mm)	Rod End Setback D in. (mm)
Clark CGC70	8.75 (222.4)	17.05 (433.2)	19.70 (500.6)	4.25 (108)

Reference: SK-29537

# Hoist 180

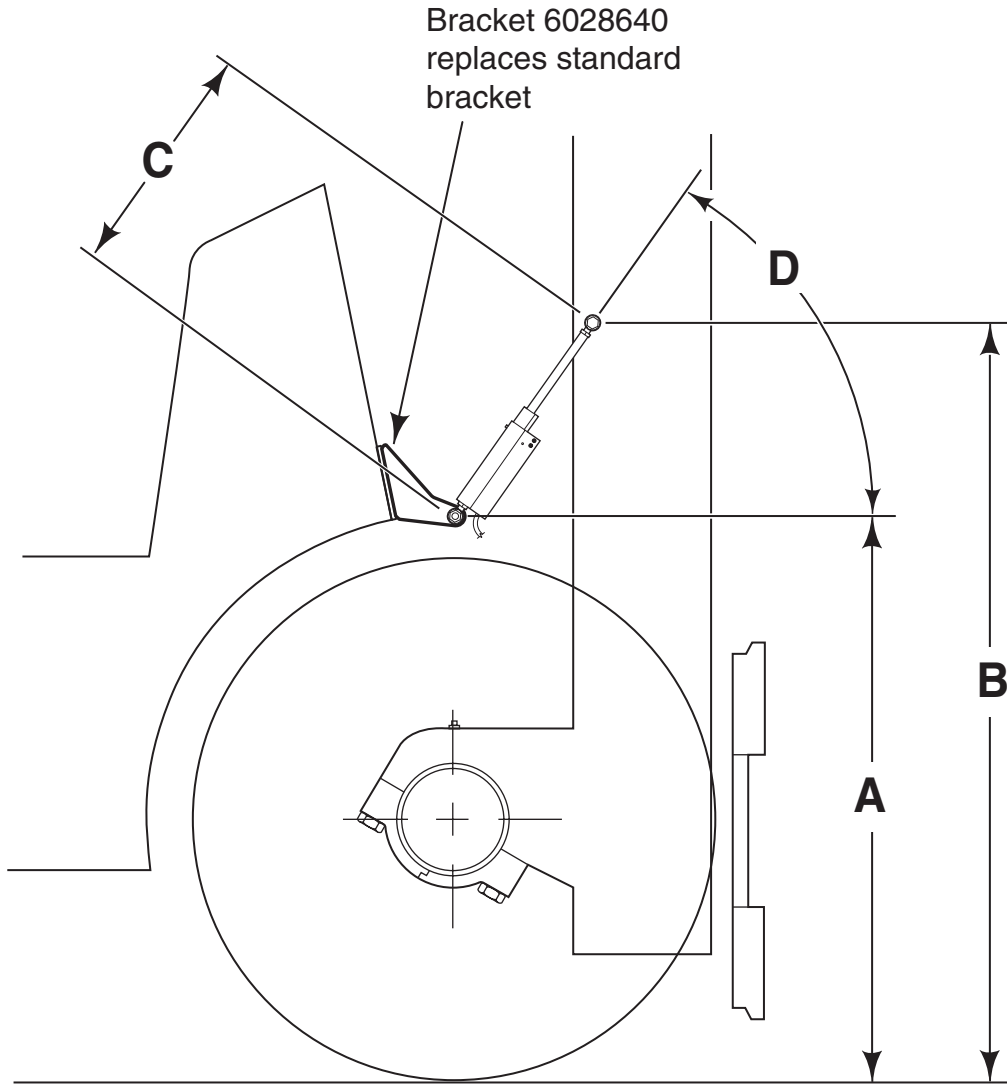
## Tilt Group 6018422 – 12V



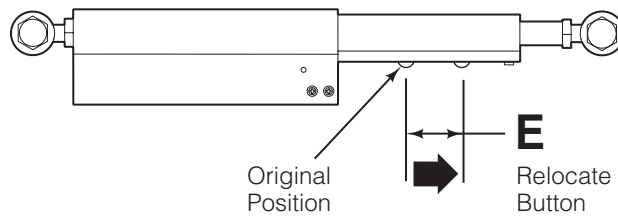
Model	Base Height A in. (mm)	Rod Height B in. (mm)	Neutral Length C in. (mm)	Mast Face Setback D in. (mm)	Relocate Button E in. (mm)
Hoist 180	42.6 (1082)	45.5 (1155)	15.0 (381)	5.2 (132)	1.86 (47.2)

# Hyster H360XL2

## Tilt Group 6028702 – 12V



AC0674.eps

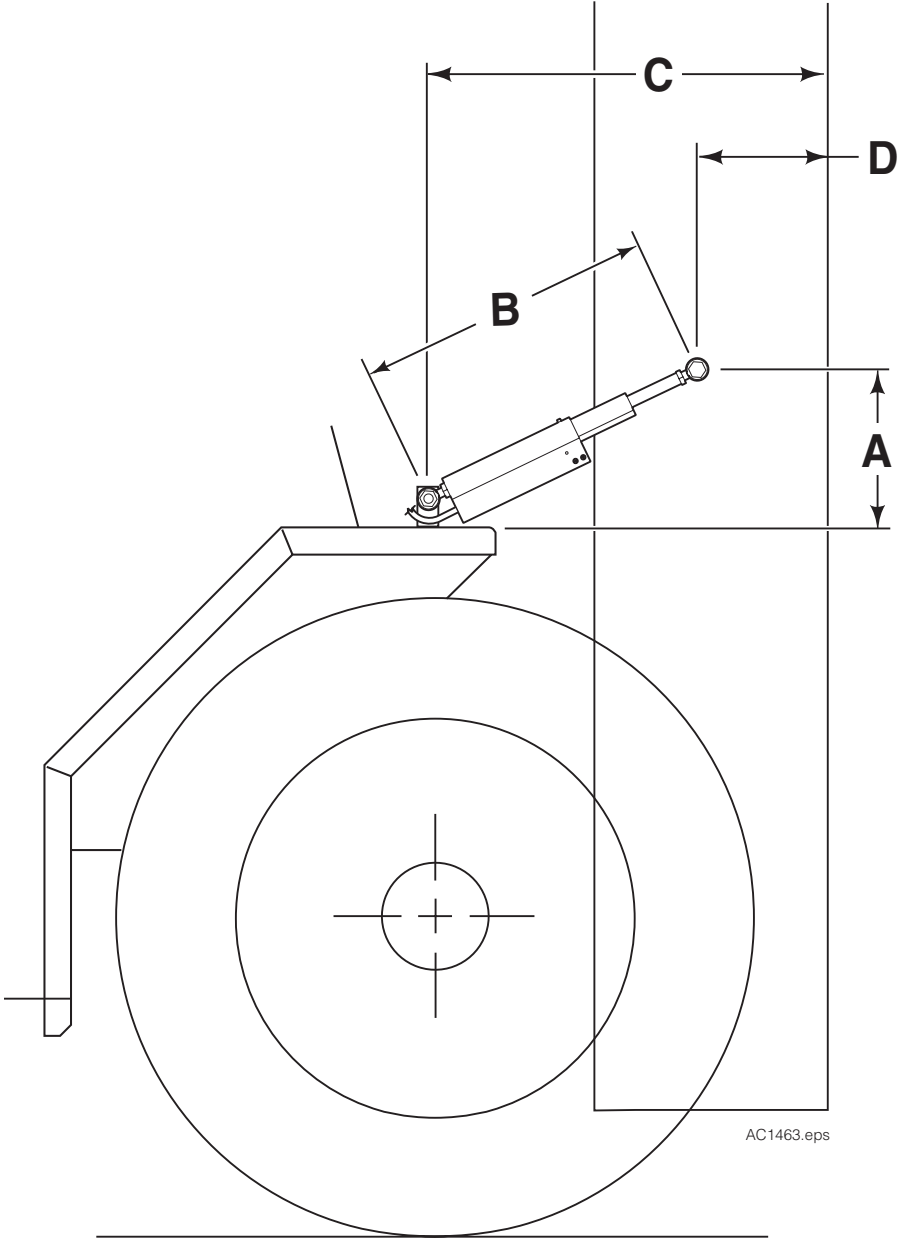


Model	Base Height A in. (mm)	Rod Height B in. (mm)	Neutral Length C in. (mm)	Angle D° degrees	Relocate Button E in. (mm)
Hyster H360XL2	48.5 (1231)	65.7 (1669)	19.7 (501)	61	1.6 (42)

Reference: SK-7338

# Hyster H5.00DX

Tilt Group 6080527

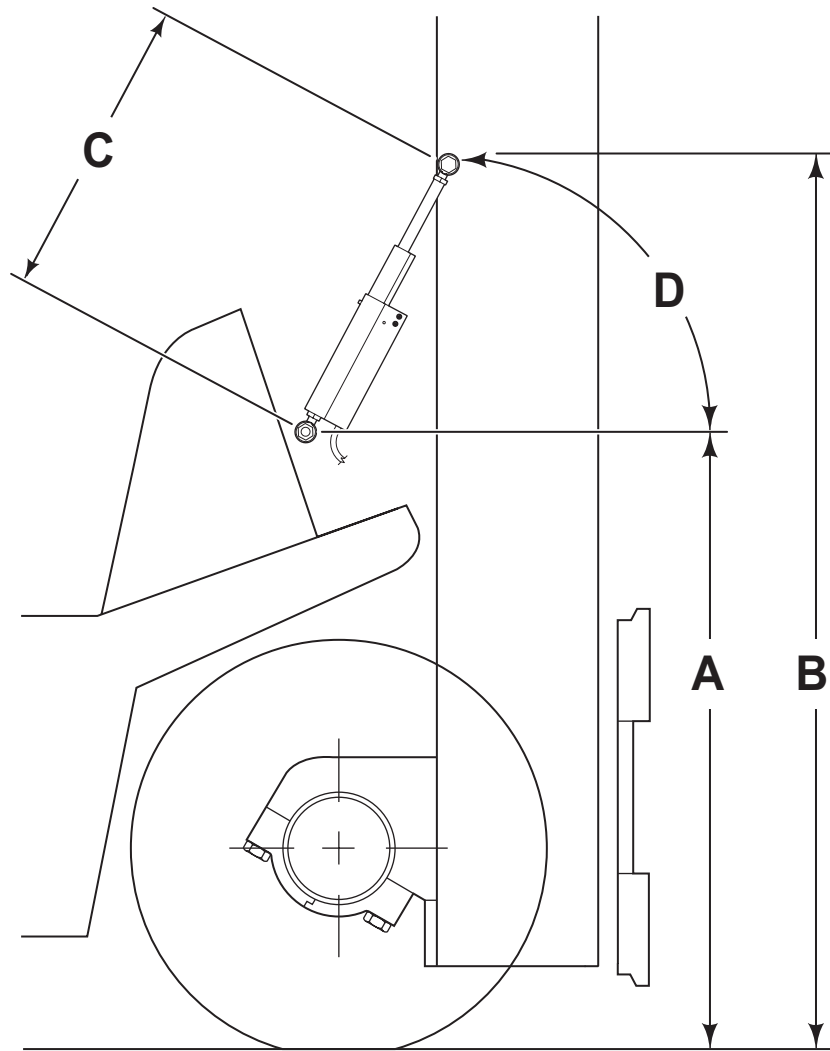


Model	Rod Height A in. (mm)	Neutral Length B in. (mm)	Base Setback C in. (mm)	Mast Face Setback D in. (mm)
Hyster H5.00DX	7.85 (200)	14.92 (379)	20.08 (510)	6.55 (166.5)

Reference: SK-10391

# Hyster S155XL & XL2

## Tilt Group 6018486 – 12V



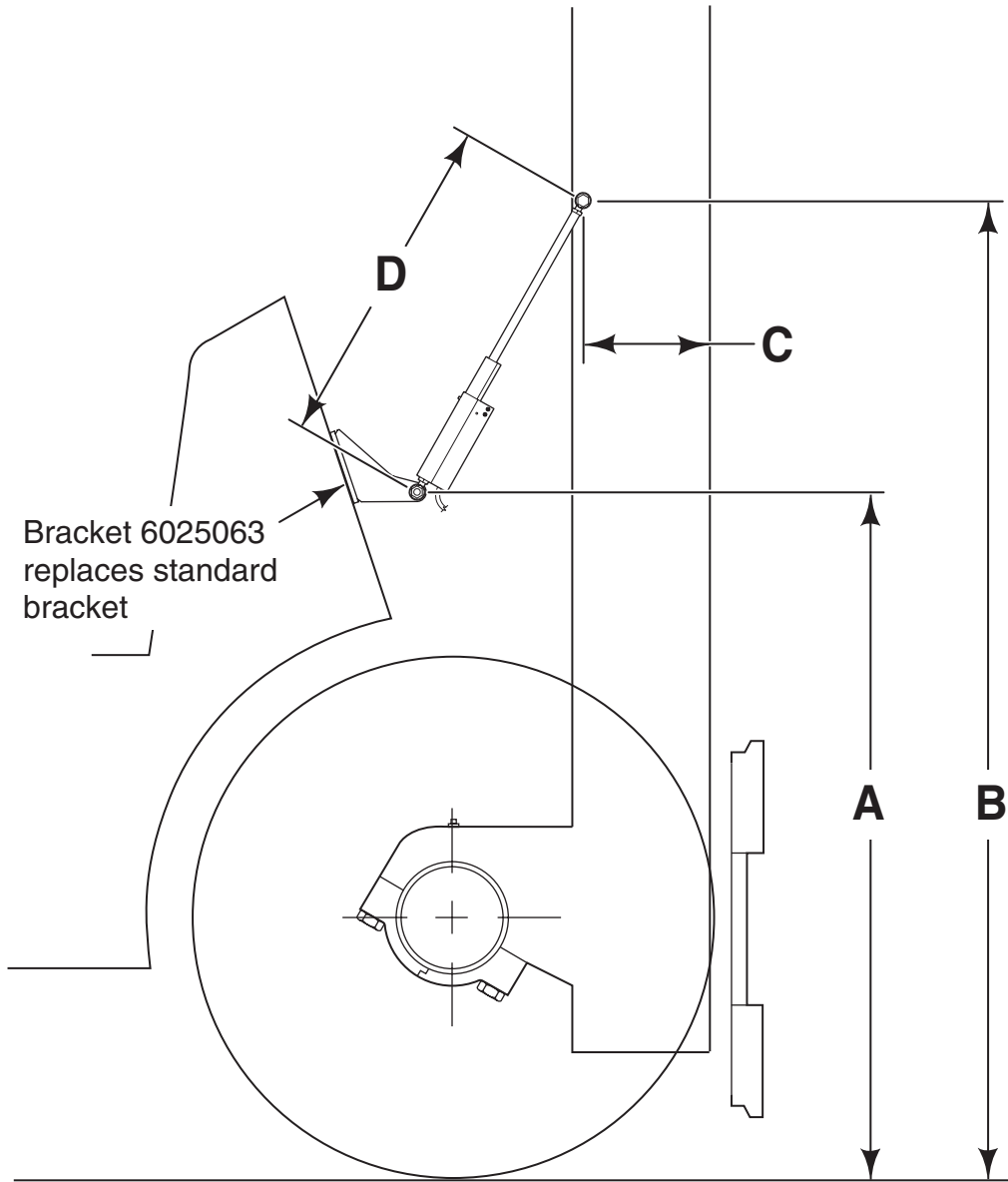
AC0487.eps

Model	Base Height A in. (mm)	Rod Height B in. (mm)	Neutral Length C in. (mm)	Angle D° degrees
Hyster S155XL Hyster S155XL2	47.0 (1194)	67.9 (1724)	24.8 (630)	57

Reference: SK-8406

# Komatsu FD100-T6

## Tilt Group 6025062 – 24V



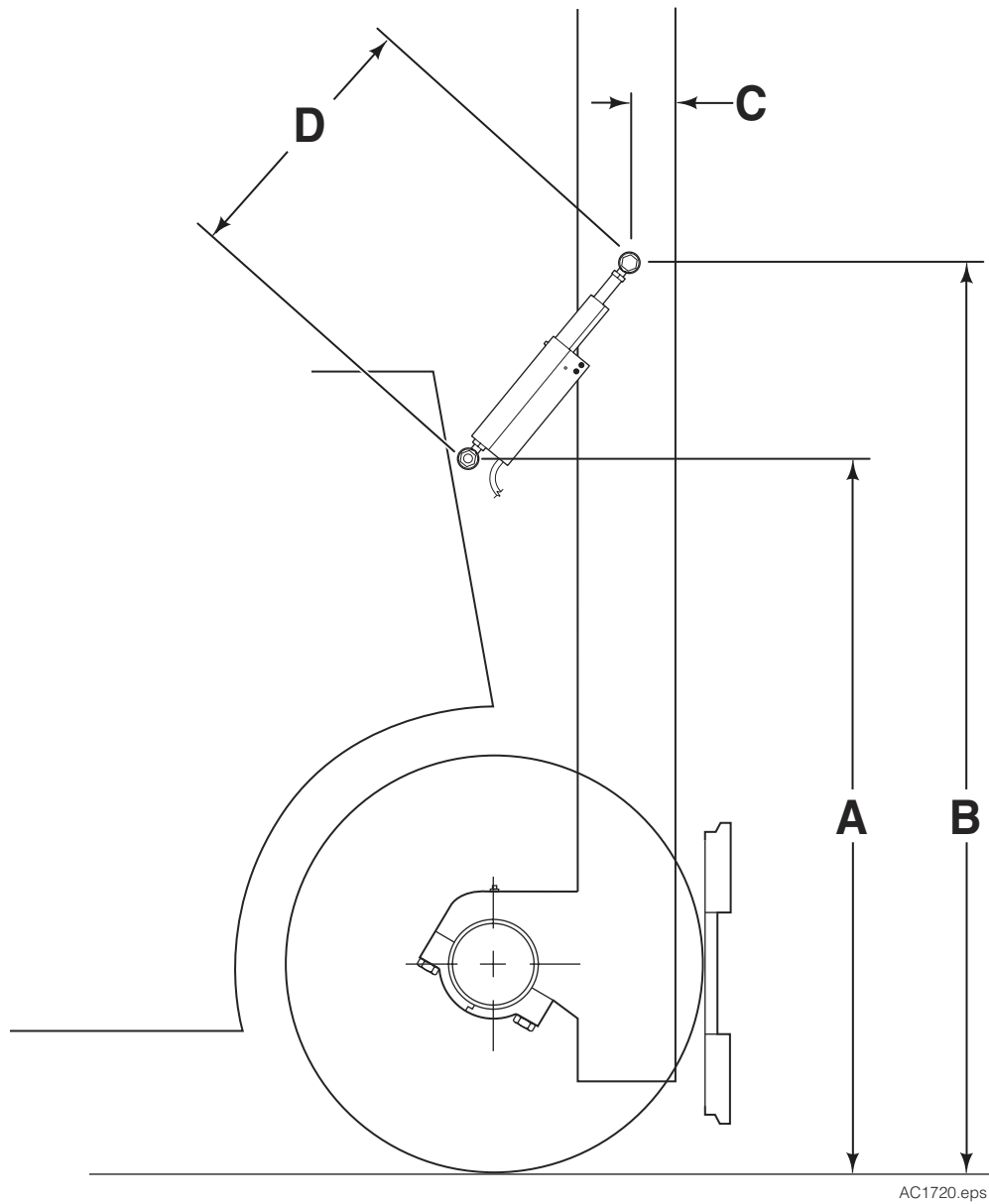
AC0567.eps

Model	Base Height A in. (mm)	Rod Height B in. (mm)	Mast Face Setback C in. (mm)	Neutral Length D in. (mm)
Komatsu FD100-T6	52.7 (1338)	75.1 (1909)	9.7 (246)	25.8 (655)

Reference: SK-7231

# Komatsu FG25T-16, FG30HT-16

## Tilt Group 6018422 – 12V

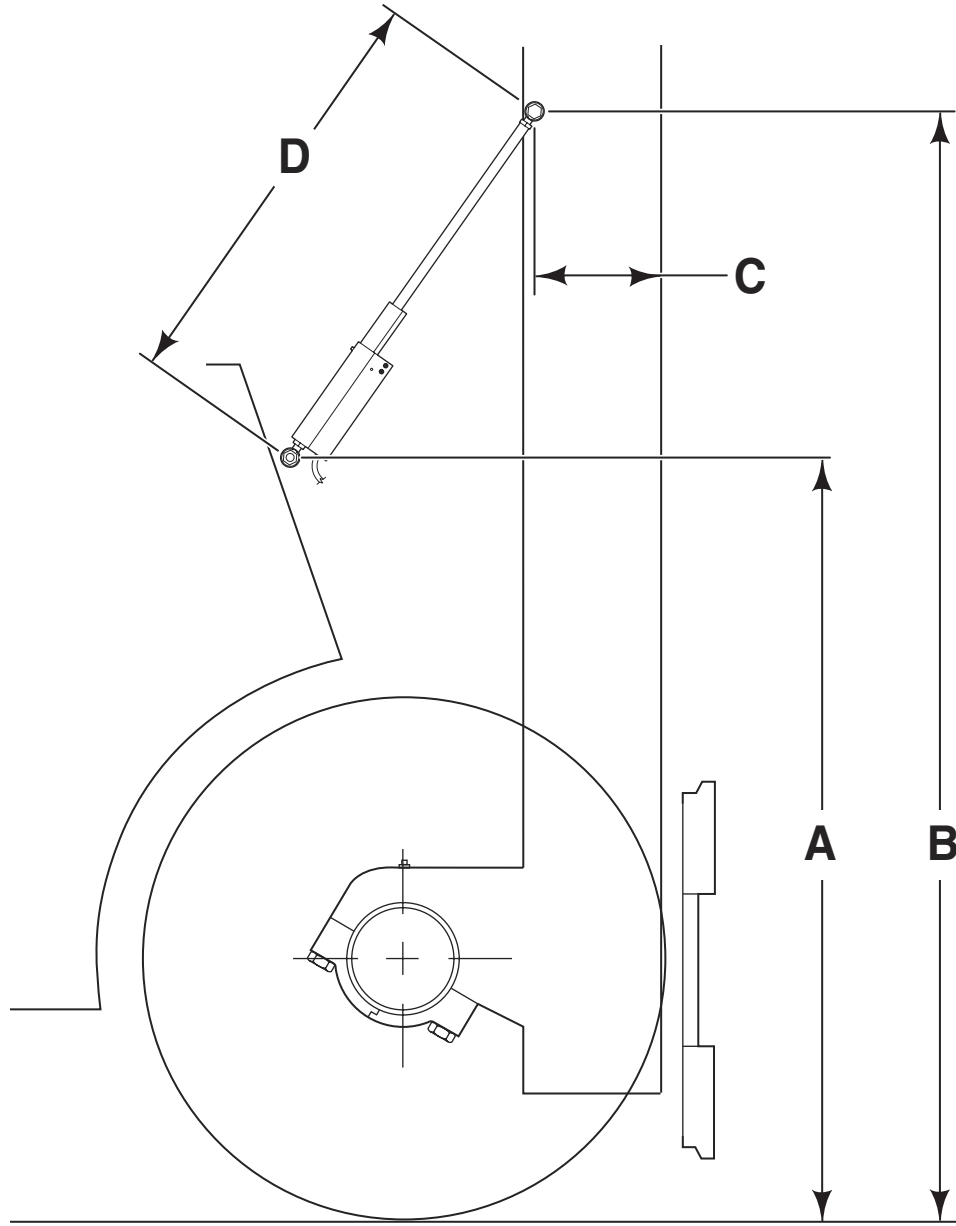


Model	Base Height A in. (mm)	Rod Height B in. (mm)	Mast Face Setback C in. (mm)	Neutral Length D in. (mm)
Komatsu FG25T-16	42.8 (1088)	54.8 (1391)	2.6 (65.7)	15.6 (396)
Komatsu FG30HT-16	43.2 (1096)	55.1 (1400)	3.7 (95.0)	15.6 (396)

Reference: SK-8164, SK-11417

# Komatsu FG45ST-8

## Tilt Group 6018486 – 12V



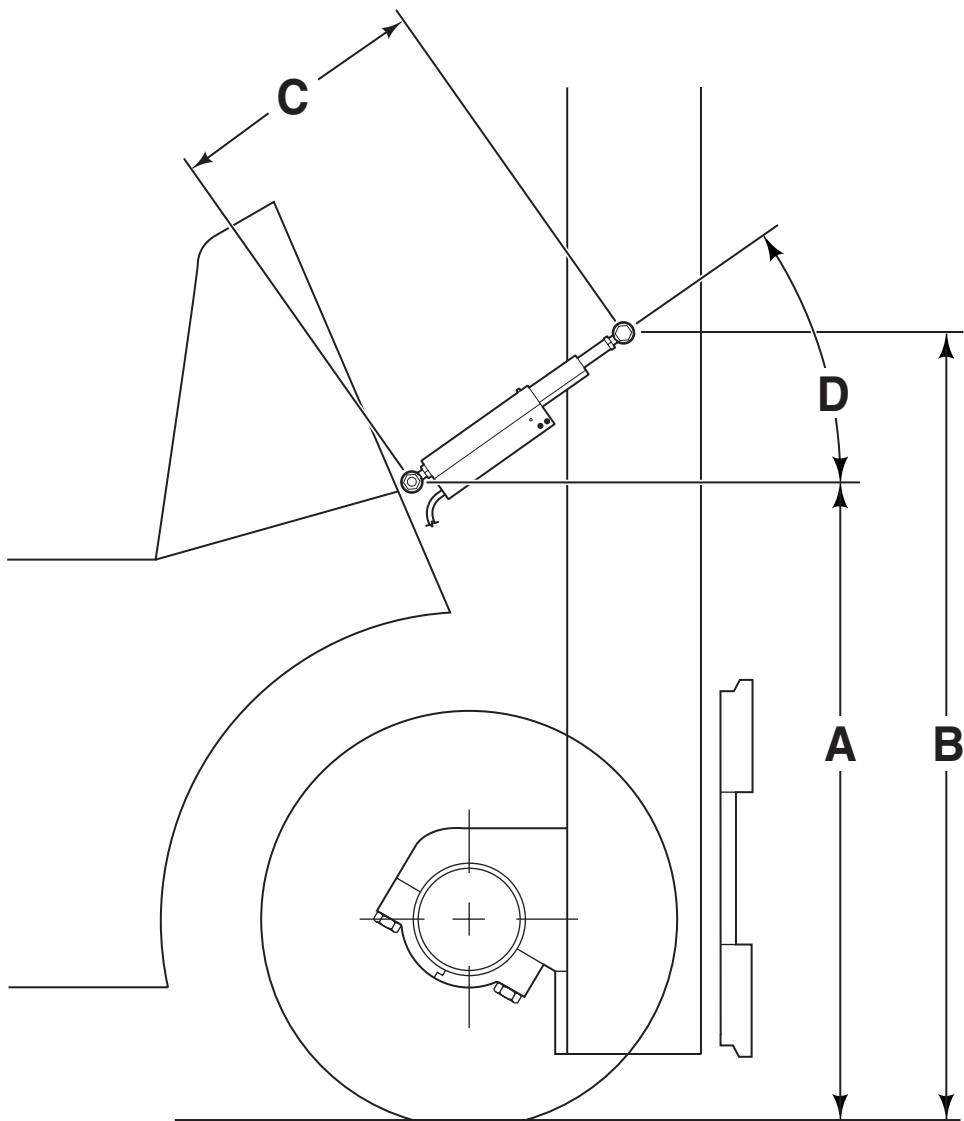
AC0932.eps

Model	Base Height A in. (mm)	Rod Height B in. (mm)	Mast Face Setback C in. (mm)	Neutral Length D in. (mm)
Komatsu FG45ST-8	40.1 (1019)	59.8 (1520)	6.2 (158)	24.1 (612)

Reference: SK-8164

# Linde E30P600

## Tilt Group 6024541 – 80V



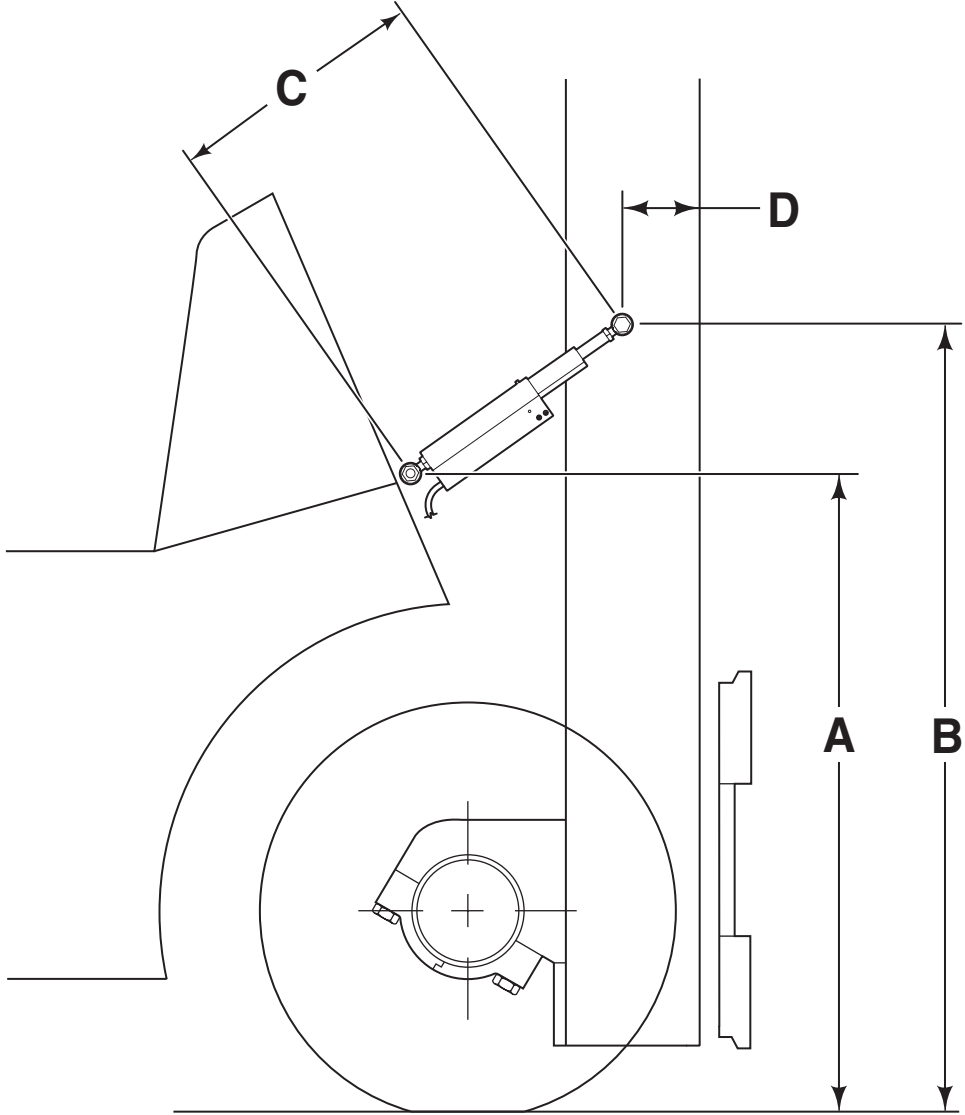
AC0555.eps

Model	Base Height A in. (mm)	Rod Height B in. (mm)	Neutral Length C in. (mm)	Angle D° degrees
Linde E30P600	34.0 (863)	41.8 (1063)	13.7 (349)	35

Reference: SK-7217

# Nissan JPD80Y

## Tilt Group 6063218 – 24V



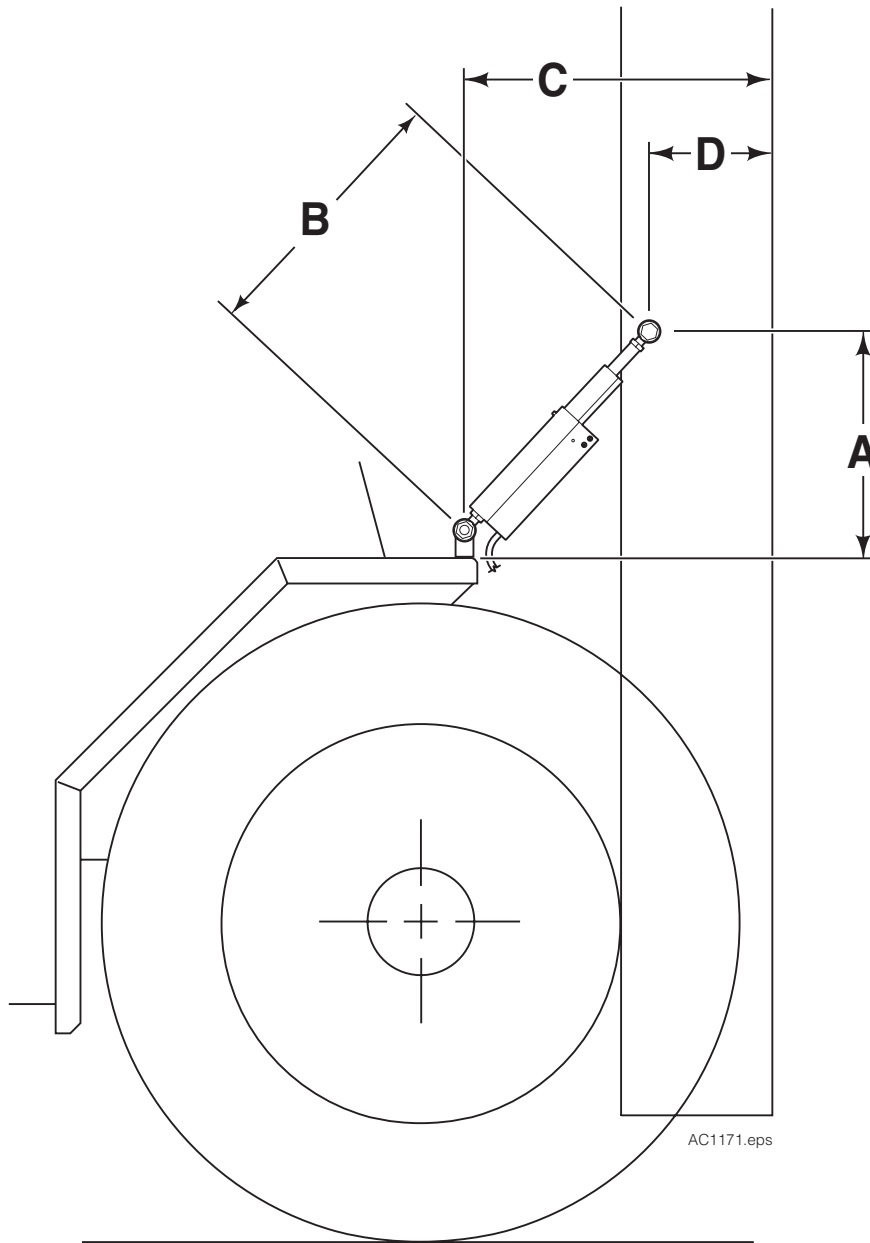
AC1197.eps

Model	Base Height A in. (mm)	Rod Height B in. (mm)	Neutral Length C in. (mm)	Mast Face Setback D in. (mm)
Nissan JPD80Y	43.32 (1100)	52.94 (1345)	15.63 (397)	5.58 (142)

Reference: SK-9107

# Taylor T-360L

## Tilt Group 6059873

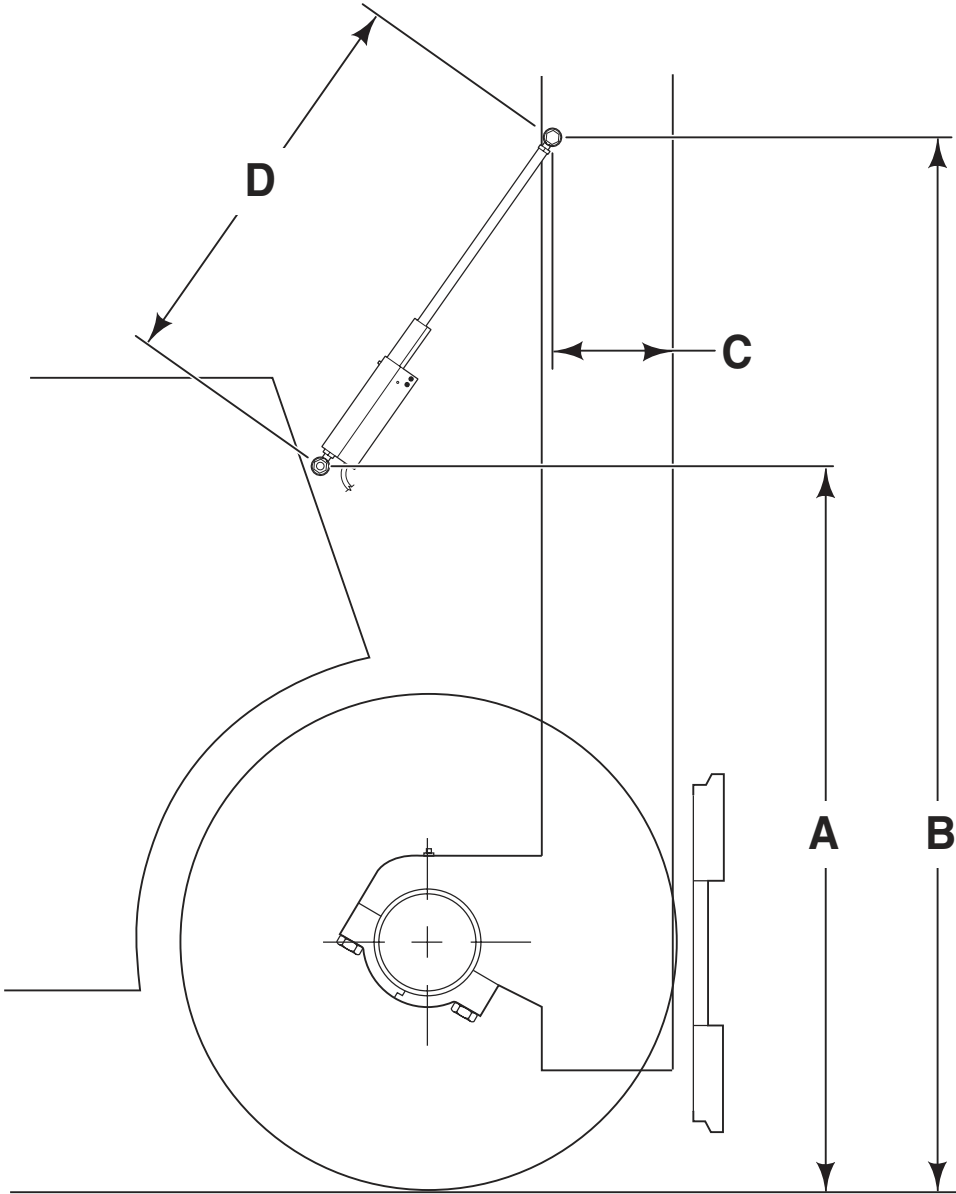


Model	Rod Height A in. (mm)	Neutral Length B in. (mm)	Base Setback C in. (mm)	Mast Face Setback D in. (mm)
Taylor T-360L	13.03 (331)	15.76 (400)	19.61 (498)	8.86 (225)

Reference: SK-8948

# TCM FHG30

## Tilt Group 6018486 – 12V

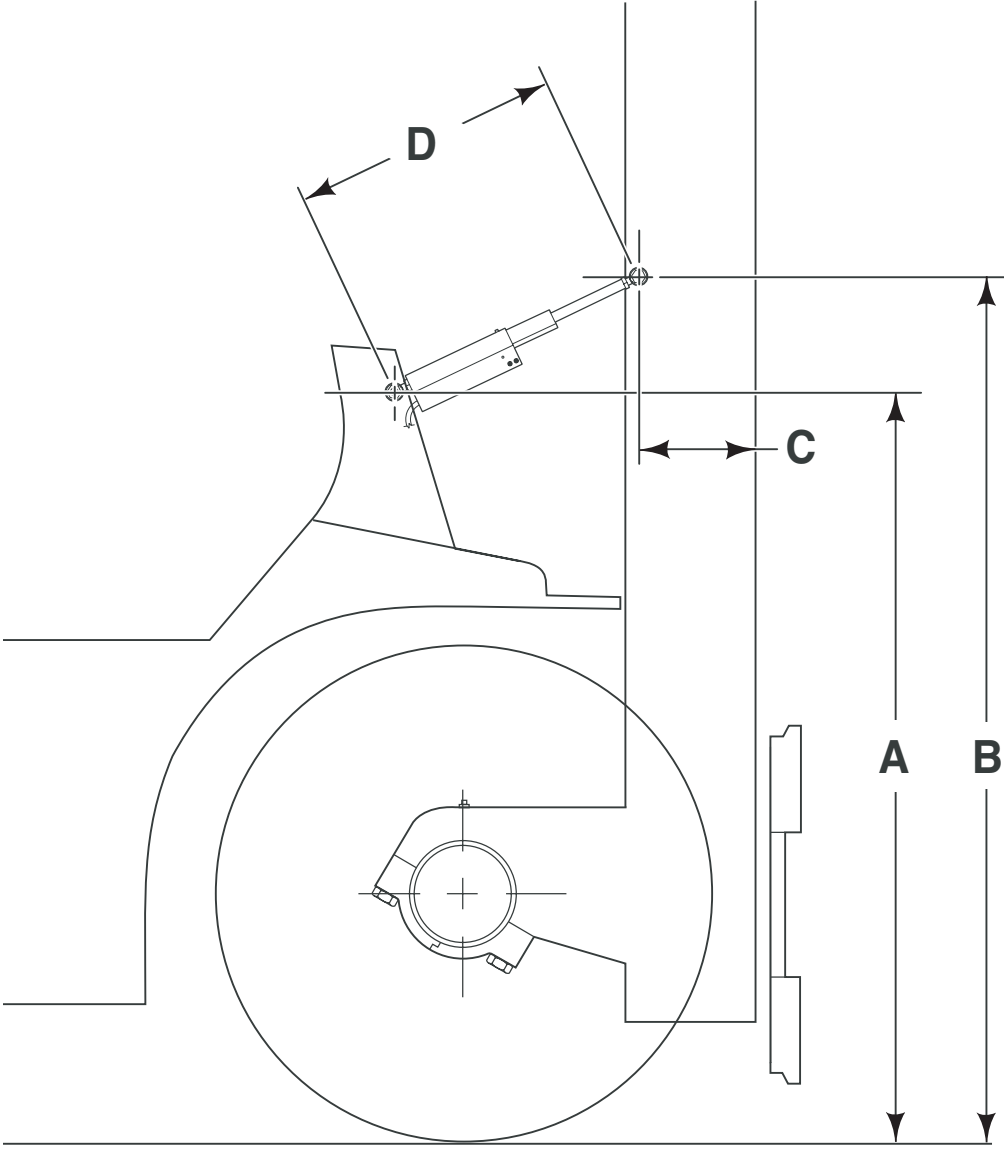


AC1198.eps

Model	Base Height A in. (mm)	Rod Height B in. (mm)	Mast Face Setback C in. (mm)	Neutral Length D in. (mm)
TCM FHG30	45.3 (1152)	66.6 (1693)	5.8 (148)	25.12 (638)

# Toyota 7FDU70

## Tilt Group 6070813 – 12V



AC1322.eps

Model	Base Height A in. (mm)	Rod Height B in. (mm)	Mast Face Setback C in. (mm)	Neutral Length D in. (mm)
Toyota 7FDU70	48.3 (1227)	55.8 (1417)	7.4 (188)	17.7 (449)

Reference: SK-9643



**Do you have questions you need answered right now?**

Call your nearest Cascade Service Department.  
Visit us online at [www.cascorp.com](http://www.cascorp.com)

**AMERICAS**

**Cascade Corporation  
U.S. Headquarters**  
2201 NE 201st  
Fairview, OR 97024-9718  
Tel: 800-CASCADE (227-2233)  
Fax: 888-329-8207

**Cascade Canada Inc.**  
5570 Timberlea Blvd.  
Mississauga, Ontario  
Canada L4W-4M6  
Tel: 905-629-7777  
Fax: 905-629-7785

**Cascade do Brasil**  
Rua João Guerra, 134  
Macuco, Santos - SP  
Brasil 11015-130  
Tel: 55-13-2105-8800  
Fax: 55-13-2105-8899

**EUROPE-AFRICA**

**Cascade Italia S.R.L.  
European Headquarters**  
Via Dell'Artigianato 1  
37030 Vago di Lavagno (VR)  
Italy  
Tel: 39-045-8989111  
Fax: 39-045-8989160

**Cascade (Africa) Pty. Ltd.**  
PO Box 625, Isando 1600  
60A Steel Road  
Sparton, Kempton Park  
South Africa  
Tel: 27-11-975-9240  
Fax: 27-11-394-1147

**ASIA-PACIFIC**

**Cascade Japan Ltd.**  
2-23, 2-Chome,  
Kukuchi Nishimachi  
Amagasaki, Hyogo  
Japan, 661-0978  
Tel: 81-6-6420-9771  
Fax: 81-6-6420-9777

**Cascade Korea**  
121B 9L Namdong Ind.  
Complex, 691-8 Gojan-Dong  
Namdong-Ku  
Inchon, Korea  
Tel: +82-32-821-2051  
Fax: +82-32-821-2055

**Cascade-Xiamen**  
No. 668 Yangguang Rd.  
Xinyang Industrial Zone  
Haicang, Xiamen City  
Fujian Province  
P.R. China 361026  
Tel: 86-592-651-2500  
Fax: 86-592-651-2571

**Cascade India Material  
Handling Private Limited**  
No 34, Global Trade Centre  
1/1 Rambaugh Colony  
Lal Bahadur Shastri Road,  
Navi Peth, Pune 411 030  
(Maharashtra) India  
Phone: +91 020 2432 5490  
Fax: +91 020 2433 0881

**Cascade Australia Pty. Ltd.**  
1445 Ipswich Road  
Rocklea, QLD 4107  
Australia  
Tel: 1-800-227-223  
Fax: +61 7 3373-7333

**Cascade New Zealand**  
15 Ra Ora Drive  
East Tamaki, Auckland  
New Zealand  
Tel: +64-9-273-9136  
Fax: +64-9-273-9137

**Sunstream Industries  
Pte. Ltd.**  
18 Tuas South Street 5  
Singapore 637796  
Tel: +65-6795-7555  
Fax: +65-6863-1368

