



# Parts Manual

---

Model 45E Sheet-Save Push Pull

Serial Number 45E-PAX-131

---

**cascade**<sup>®</sup>  
**corporation**

**For Technical Assistance call:** 800-227-2233, Fax: 888-329-8207

**To Order Parts call:** 888-227-2233, Fax: 888-329-0234

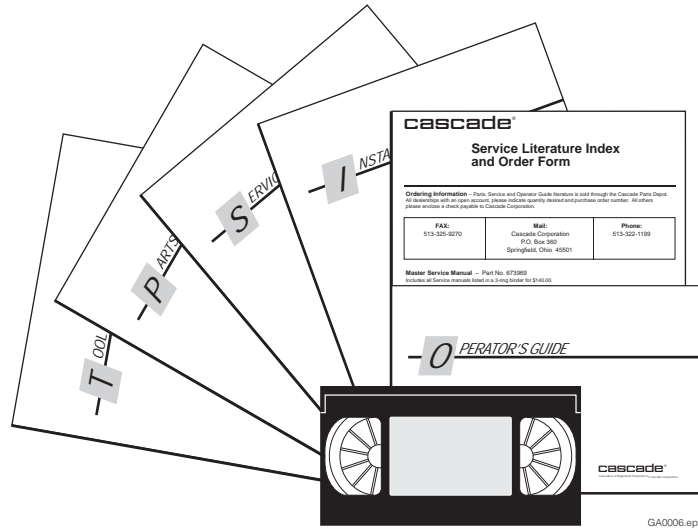
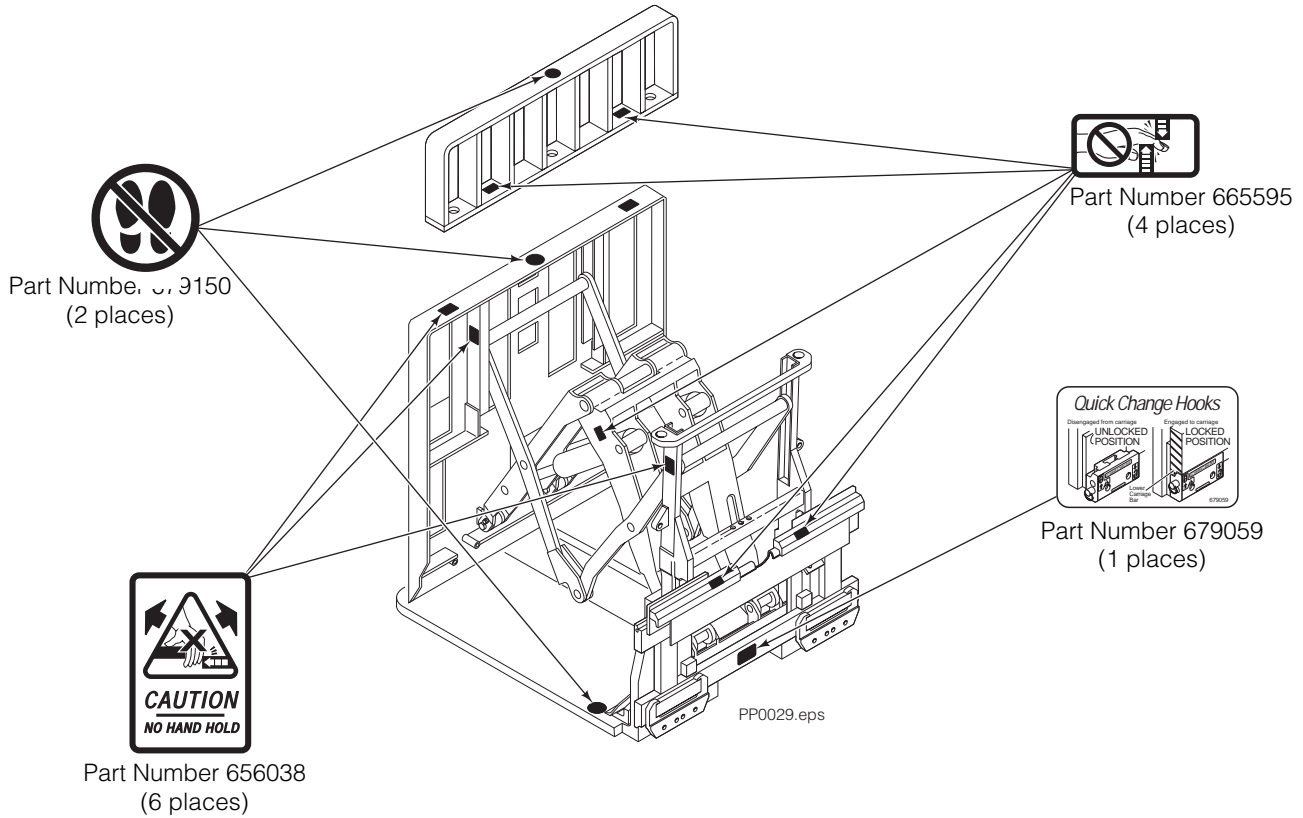
**OR**

**Write:** Cascade Corporation, P.O. Box 20187, Portland, OR 97220

**Internet:** [www.cascorp.com](http://www.cascorp.com)

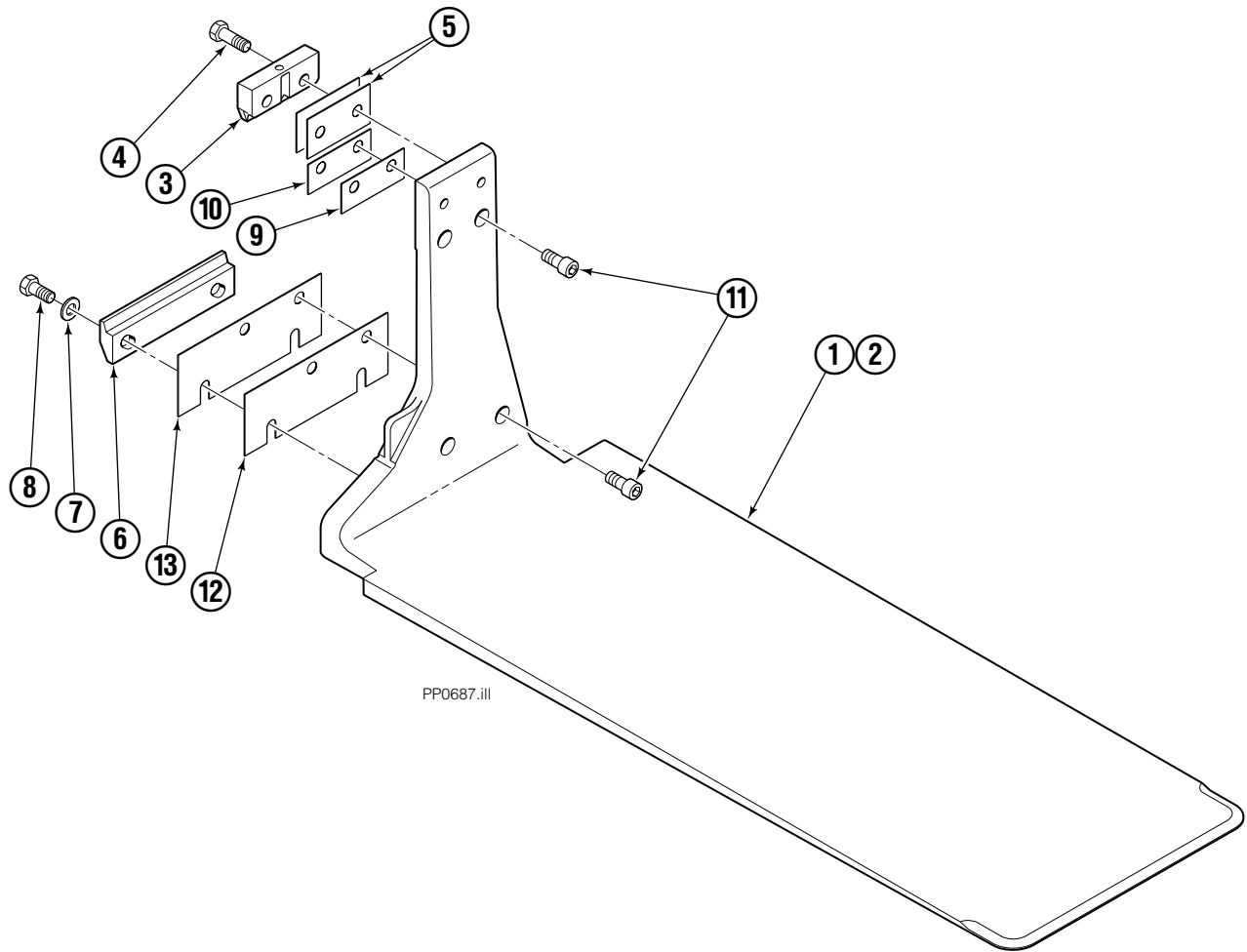
# Decals

## 35E/45E Sheet-Sav



PART NO.	DESCRIPTION
	Parts Manual
686455	Service Manual
684945	Operators Guide
685531	Operators Pocket Guide
684944	Installation Instructions
680664	Servicing Cascade Cylinders-VHS
679929	Tool Catalog
673964	Literature Index Order Form

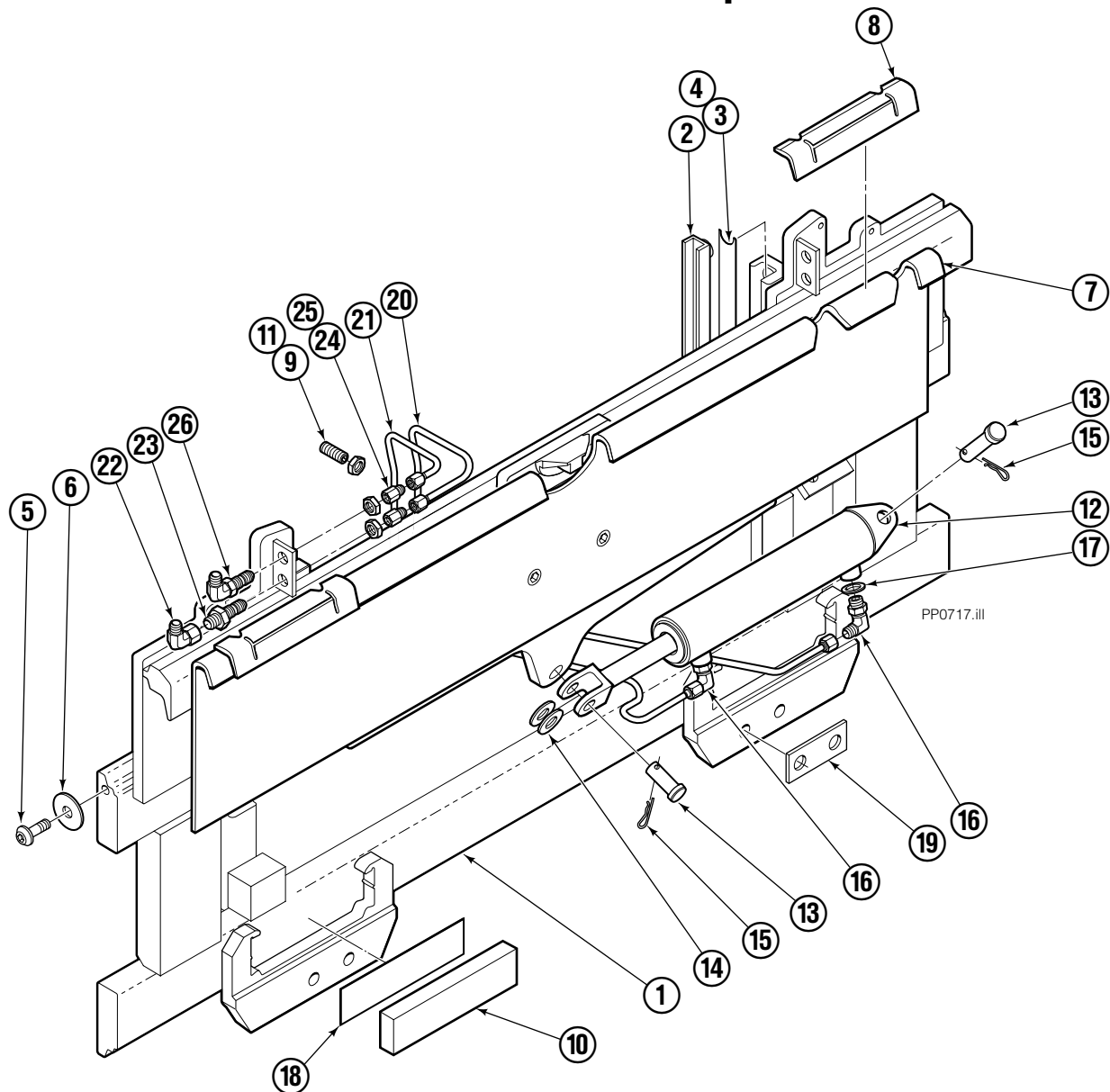
# Platen Group



PP0687.iii

45E			
REF	QTY	PART NO.	DESCRIPTION
		6027448	Platen Group
1	1	6027449	Platen - RH
2	1	6027450	Platen - LH
3	2	685533	Upper Hook
4	4	685677	Capscrew, M16 x 45
5	4	688379	Shim (.06)
6	2	682851	Lower Hook
7	4	667225	Washer, .625
8	4	209016	Capscrew, M16 x 35
9	2	6014136	Shim (.06)
10	2	6014137	Shim (.03)
11	8	769577	Capscrew, M16 x 50
12	2	6019260	Shim (.06)
13	2	6019261	Shim (.03)

# S/S Platen Carrier Group ITA III



## 35E/45E

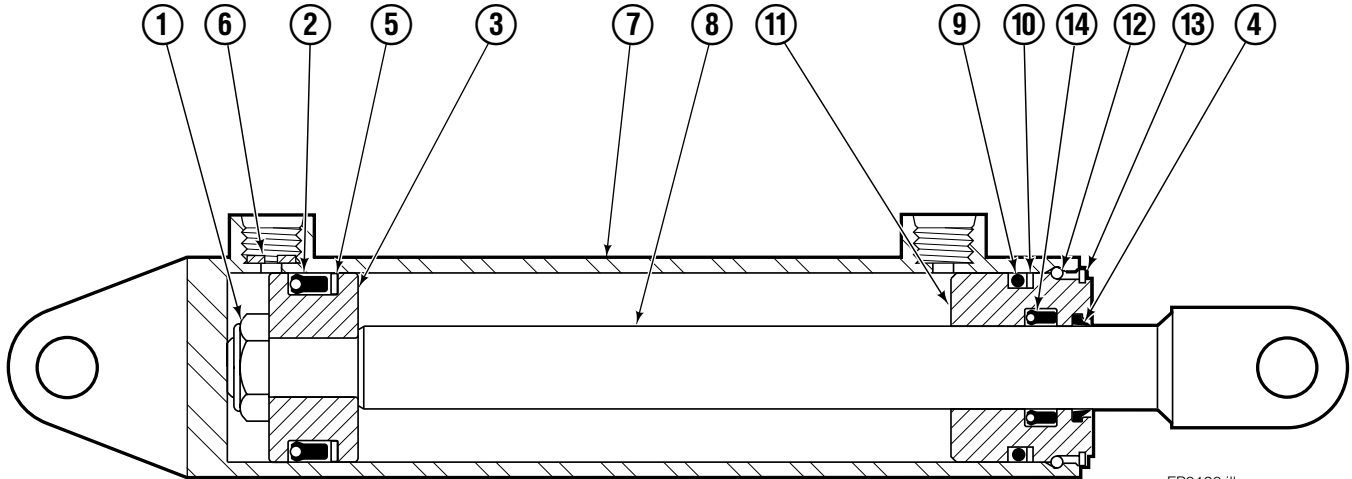
REF	QTY	PART NO.	DESCRIPTION	REF	QTY	PART NO.	DESCRIPTION
		6027551	Platen Carrier Group	14	2	6234	Washer
1	1	6027455	Platen Carrier	15	2	6517	Cotter Pin
2	2	206964	Bearing	16	2	666984	Fitting, 6-6
3	●	674298	Shim (.015)	17	1	675550	Washer
4	●	674299	Shim (.020)	18	2	683250	Strip
5	2	683142	Capscrew, M12 x 20	19	2	683218	Spacer
6	2	683001	Washer	20	1	382990	Tube
7	1	200311	Anchor Bracket	21	1	382991	Tube
8	2	672018	Bearing	22	1	2680	Fitting, 6-6
9	2	768759	Setscrew, M12 x 35	23	1	2453	Fitting, 6-6
10	2	682814	Bearing	24	2	2617	Fitting, 6
11	2	688387	Jam Nut	25	2	2669	Fitting, 4-6
12	1	675548	Cylinder Assembly ■	26	1	2375	Fitting, 6-6
13	2	214036	Clevis Pin				

● As required, maximum 1 per side.

■ See Cylinder page for parts breakdown.

Reference: Mounting Group 382989, SK-5986.

# Sideshift Cylinder ITA Class III

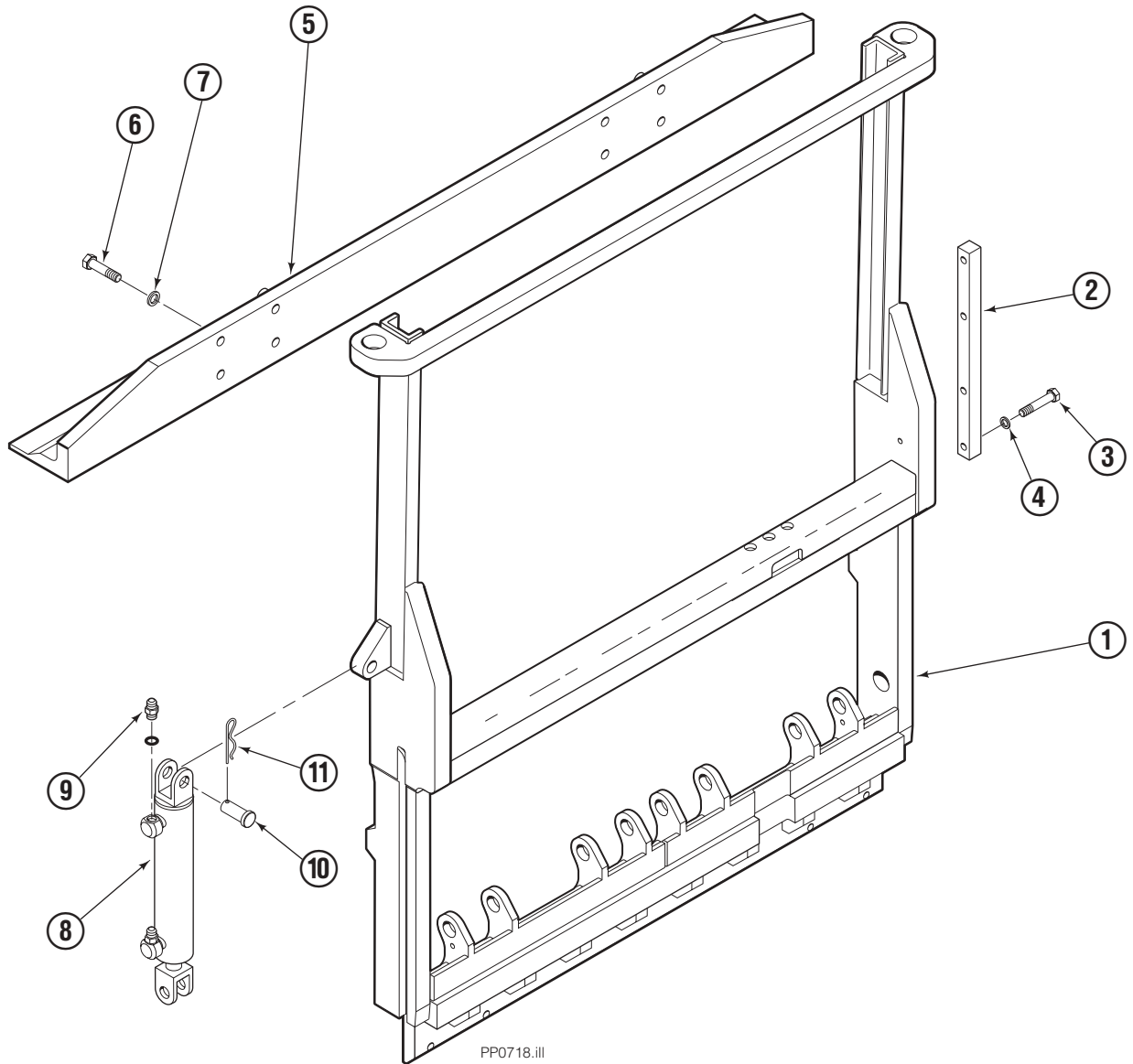


FP0126.ill

55E			
REF	QTY	PART NO.	DESCRIPTION
		675548	Cylinder Assembly
1	1	553857	Nut
2	1	662452	■ Seal
3	1	553501	Piston
4	1	636851	■ Wiper
5	1	638247	■ Back-up Ring
6	1	675550	Washer (orifice .085 in.)
7	1	675549	Shell
8	1	553449	Rod
9	1	2785	■ O-Ring
10	1	615128	■ Back-up Ring
11	1	553500	Retainer
12	1	553856	Retaining Ring
13	1	7202	Snap Ring
14	1	641835	■ Seal
		553861	Service Kit

■ Included in Service Kit 553861.

# Frame Group

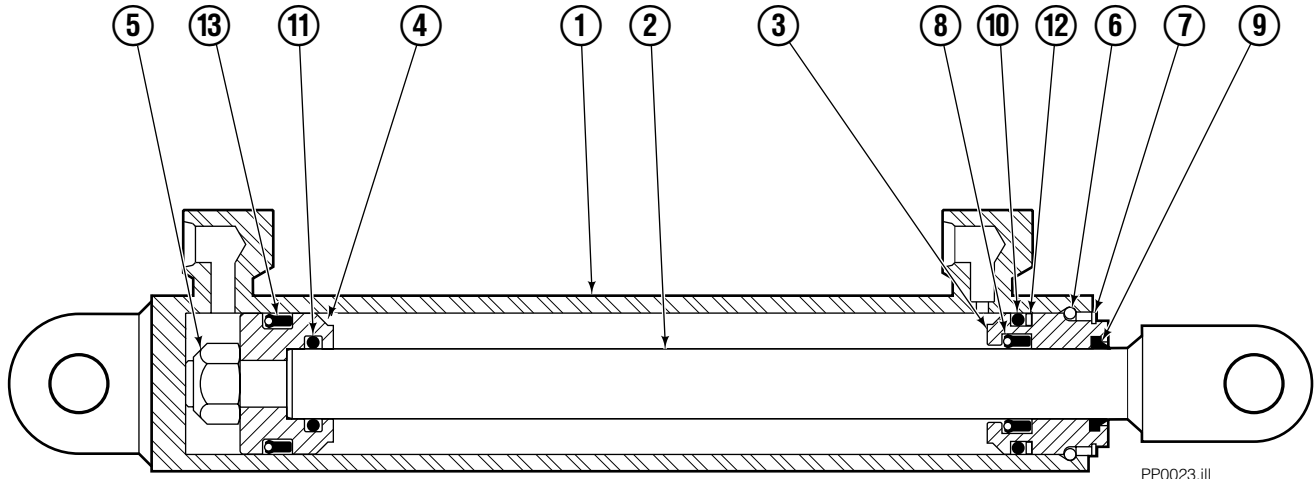


PP0718.ill

REF	QTY	PART NO.	DESCRIPTION
		371585	Frame Group
1	1	371608	Frame
2	1	372234	Bar
3	2	768525	Capscrew
4	2	686119	Washer
5	1	371779	Foot
6	8	766929	Capscrew
7	8	678991	Lockwasher
8	2	583942	Cylinder ●
9	4	617915	Fitting, 4-4
10	4	678525	Pin-Clevis
11	4	672726	Cotter Pin

● See Cylinder page for parts breakdown.

# Sheet-Sav Cylinder



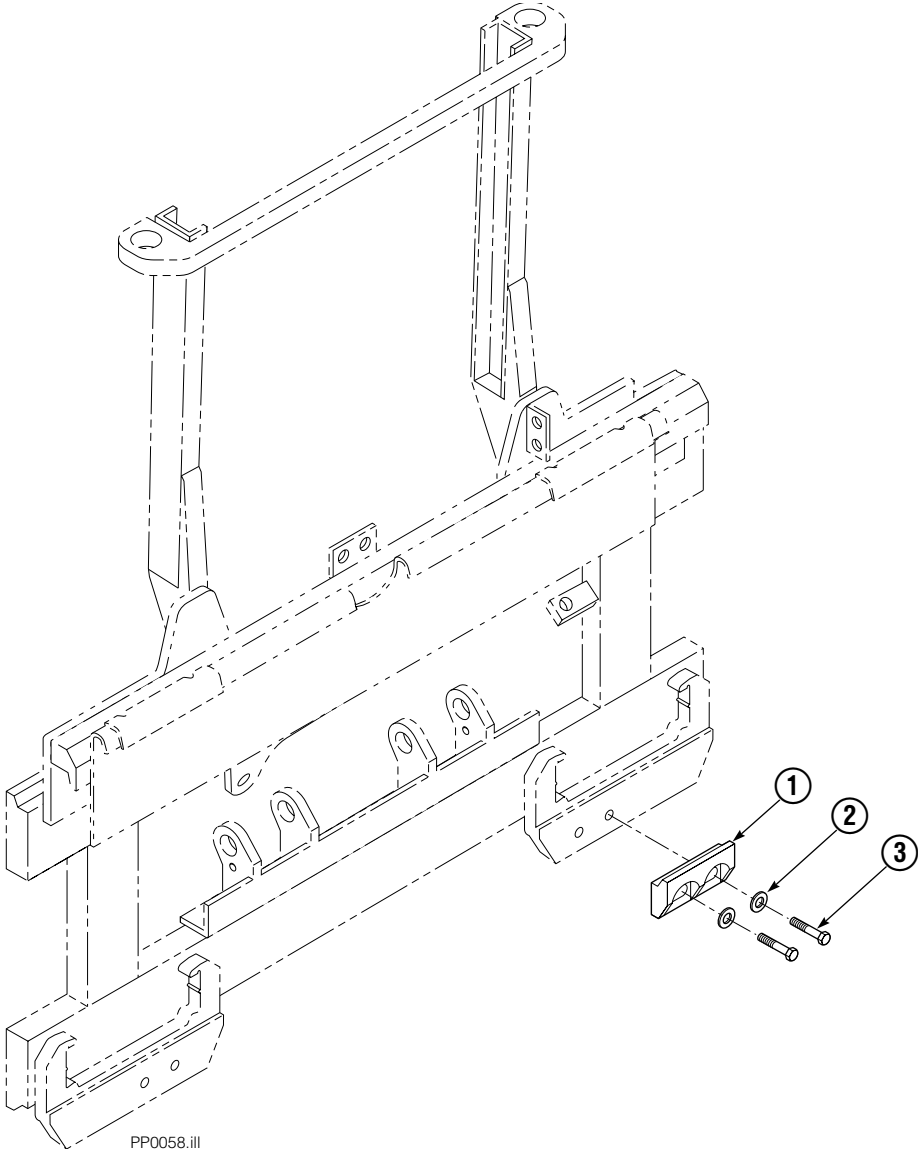
PP0023.ill

## 35E/45E

REF	QTY	PART NO.	DESCRIPTION
		583942	Cylinder Assembly
1	1	564162	Shell
2	1	564165	Rod
3	1	685664	Retainer
4	1	685665	Piston
5	1	563462	Nut
6	1	563916	Seal
7	1	3137	Retaining Ring
8	1	646540	■ Seal
9	1	636850	■ Wiper
10	1	2718	■ O-Ring
11	1	2710	■ O-Ring
12	1	615122	■ Back-up Ring
13	1	663728	■ Seal

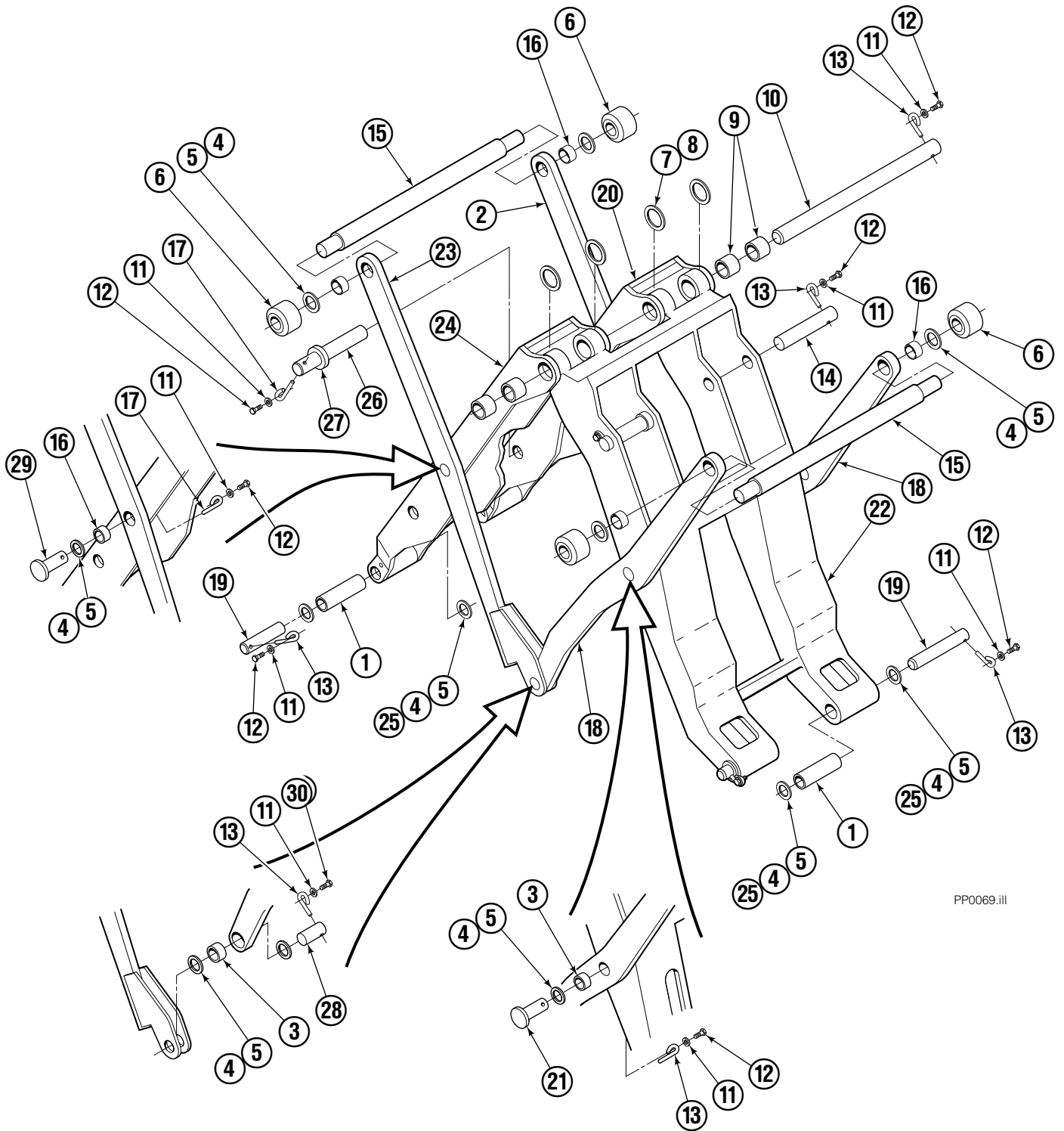
■ Included in Service Kit 684827.

# Bolt-On Lower Hook Group – ITA III



35E/45E			
REF	QTY	PART NO.	DESCRIPTION
		683180	Lower Hook Group ITA III
1	2	679361	Hook
2	4	667225	Washer
3	4	779010	Capscrew

# Mechanism Group



PP0069.iii

# Mechanism Group

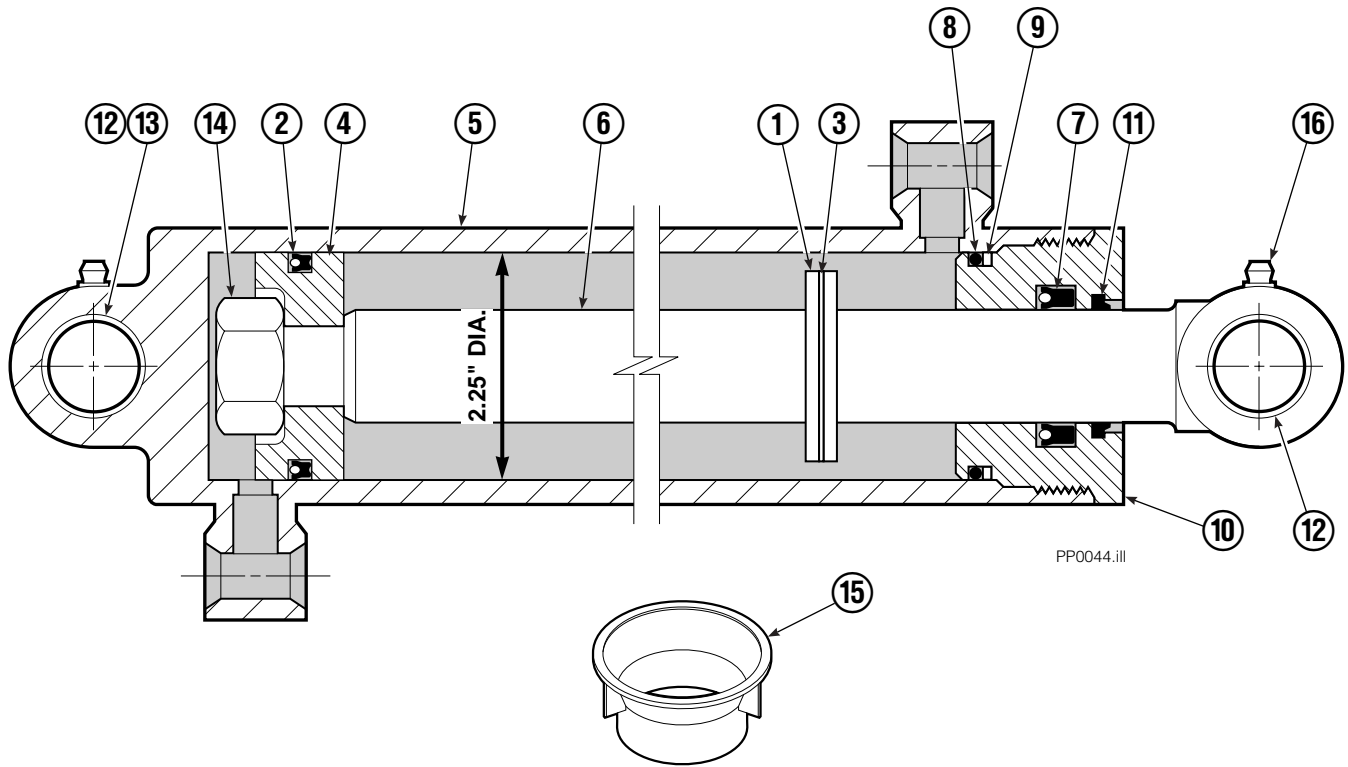
<b>35E/45E</b>			
<b>REF</b>	<b>QTY</b>	<b>PART NO.</b>	<b>DESCRIPTION</b>
		370829	Mechanism Group
1	7	360869	Bushing
2	1	204522	Arm – Secondary Outer RH
3	6	683154	■ Bushing
4	●	683161	Shim (.030)
5	●	683162	Shim (.060)
6	4	205070	Roller
7	●	683163	Shim (.030)
8	●	683164	Shim (.060)
9	8	683155	■ Bushing
10	1	204596	Pin
11	19	6229	Washer
12	17	767961	Capscrew, M8 x 16
13	11	689954	Eye-Pin
14	2	682822	Pin-Head
15	2	205067	Pin
16	4	689202	■ Bushing
17	8	689954	Eye-Pin
18	2	204520	Arm – Outer Primary
19	7	204533	Pin – Frame
20	2	370952	Arm – Inner Secondary RH
21	2	204695	Pin – Primary Outer
22	2	370832	Arm – Inner Primary
23	1	204521	Arm – Secondary Outer LH
24	1	370833	Arm – Inner Secondary LH
25	●	204532	Shim
26	2	682823	Pin – Rod
27	2	683165	Spacer
28	2	204534	Pin – Outer
29	2	204600	Pin – Secondary Outer
30	2	685661	Capscrew
31	11	7401	Grease Fitting (Not Shown)

● Quantity as required.

■ Included in Service Kit 205077.

Reference: Arm Group 370831.

# Cylinder



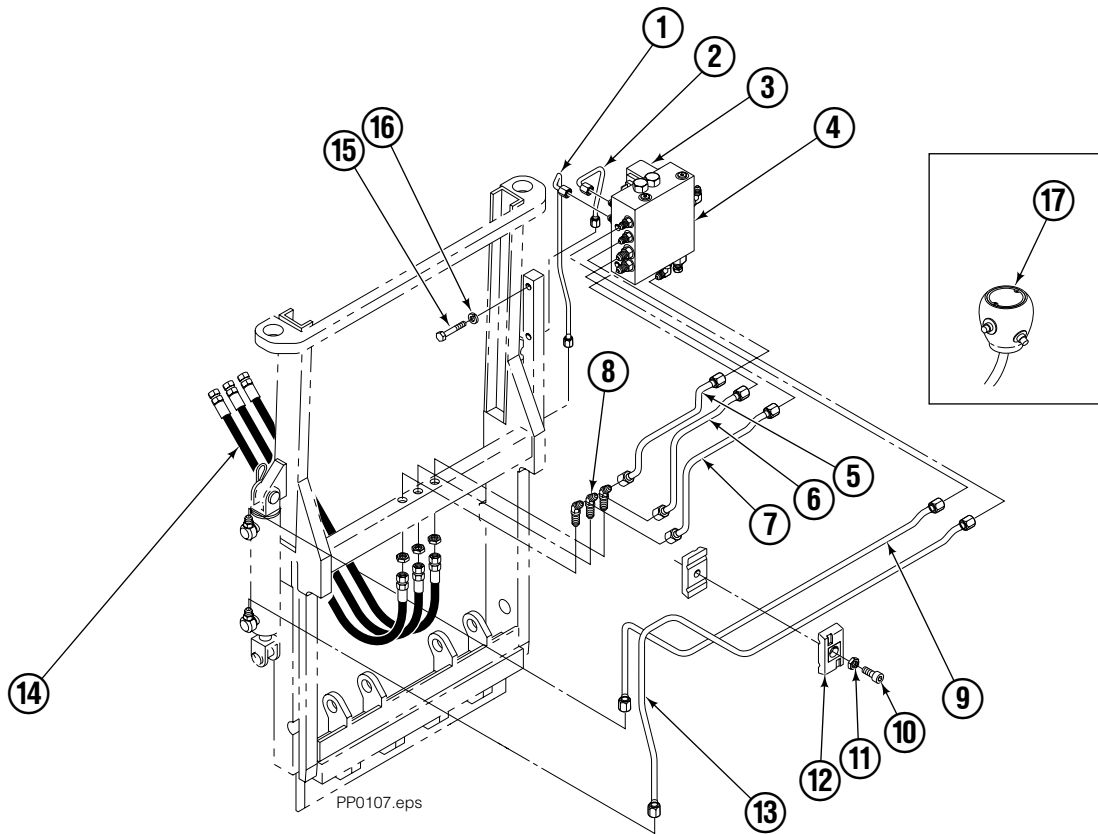
REF	QTY	PART NO.	DESCRIPTION
		358091	Cylinder Group
		358093	Cylinder Modified ●
1	1	685379	Spacer
2	1	562553	■ Seal
3	1	7348	Snap Ring
4	1	564161	Piston
5	1	562717	Shell
6	1	558626	Rod
7	1	559705	■ Seal
8	1	2787	■ O-Ring
9	1	615130	■ Back-Up Ring
10	1	558628	Retainer
11	1	636853	■ Wiper
12	4	559697	Bearing
13	1	559698	Spacer
14	1	678019	Nut
15	1	671048	■ Seal Loader Kit
16	2	7401	Grease Fitting

● Cylinder 582636 shell and rod has had special machining applied to it.

■ Included in Service Kit 562339.

Reference: S-8434.

# Hydraulic Group

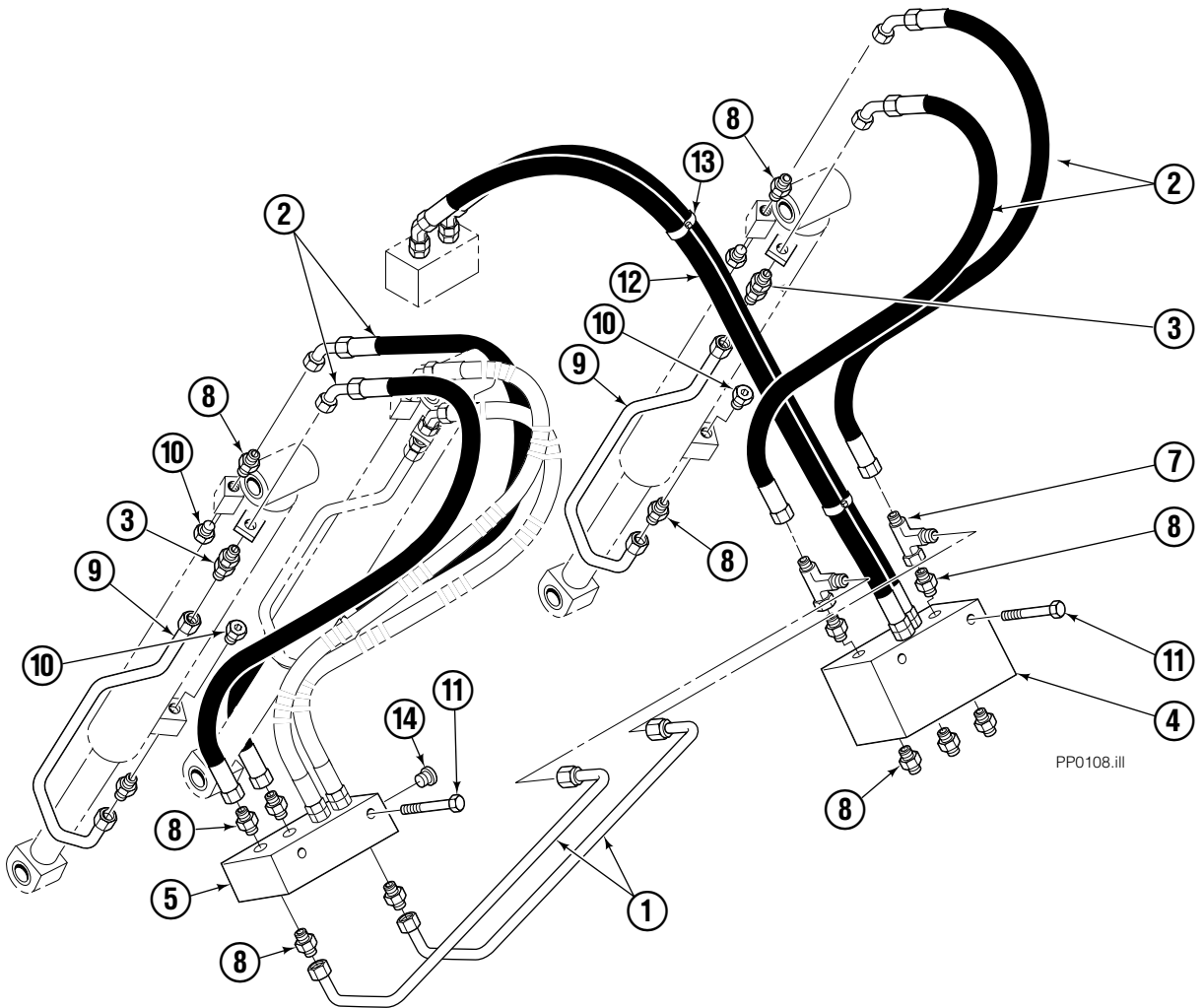


35E/45E			
REF	QTY	PART NO.	DESCRIPTION
		6027431	Hydraulic Group (without gripper)
1	1	372239	Tube
2	1	372238	Tube
3	1	669432	Diode
4	1	206942	■ Valve
5	1	372235	Tube
6	1	372236	Tube
7	1	372237	Tube
8	3	2492	Fitting, 6-6
9	1	371602	Tube
10	1	787375	Capscrew, M8 x 20
11	1	767414	Nut, M8
12	2	207041	Clamp
13	1	371607	Tube
14	3	386296	Hose
15	2	768525	Capscrew, M8 x 40
16	2	686119	Washer, M8
17	1	206939	● Knob

■ See Valve page for parts breakdown.

● See Knob page for parts breakdown.

# Wide Hydraulic Group



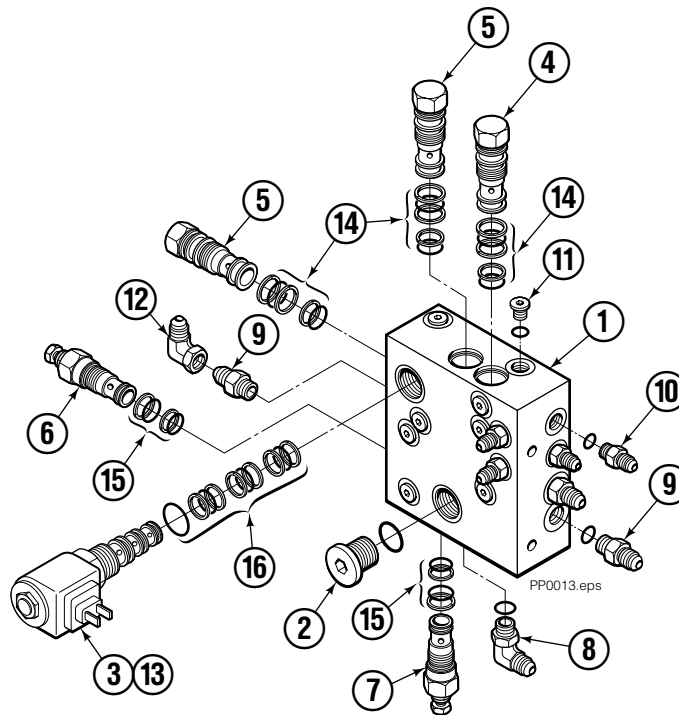
45E			
REF	QTY	PART NO.	DESCRIPTION
1	2	200322	■ Tube Wide
2	4	386274	■ Hose Assembly
3	2	2375	■ Fitting, 6-6
4	1	206927	Junction Block Assembly
5	1	200372	■ Junction Block
7	2	611307	■ Fitting, 6-6 Tee
8	8	604511	■ Fitting, 6-6
9	1	682995	■ Tube
	1	200647	■ Tube
10	4	604510	■ Fitting, 6
11	4	765329	■ Capscrew, M8x1, 25 20 Lg
12	1	6014844	Hose Assembly
13	2	684956	Cable Tie
14	2	663694	■ Plug, #3

■ Included in Hydraulic Components Group 386297.

Reference: SK-5694, SK-5988.

# Valve

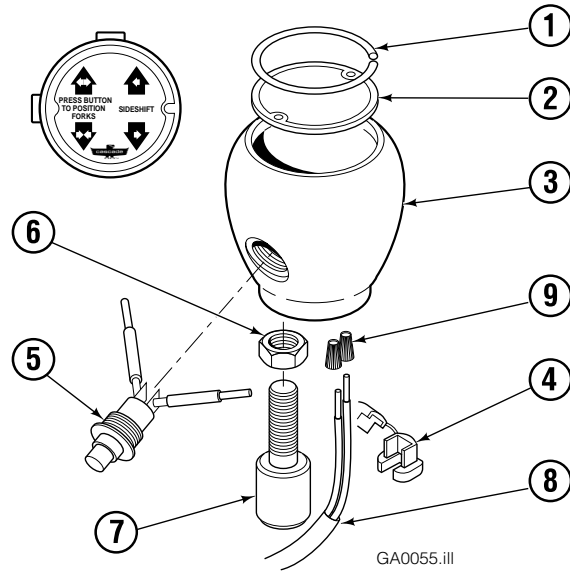
## Without Independent Gripper Control



<b>35E/45E</b>			
REF	QTY	PART NO.	DESCRIPTION
		206942	Valve Assembly
1	1	206943	Valve Body
2	1	609453	Fitting, 10
3	1	206991	Solenoid Valve
4	1	206944	Check Valve
5	2	659058	Check Valve
6	1	677125	Relief Valve
7	1	677124	Relief Valve
8	2	601676	Fitting, 6-6
9	3	604511	Fitting, 6-6
10	4	617915	Fitting, 4-4
11	12	609234	Fitting, 4
12	1	2680	Fitting, 6-6
13	1	<b>206995</b>	Coil - 12V
13	1	206996	Coil - 24V
13	1	206997	Coil - 36V
13	1	206998	Coil - 48V
14	3	667516	Service Kit
15	2	669597	Service Kit
16	1	667379	Service Kit

# Control Knob

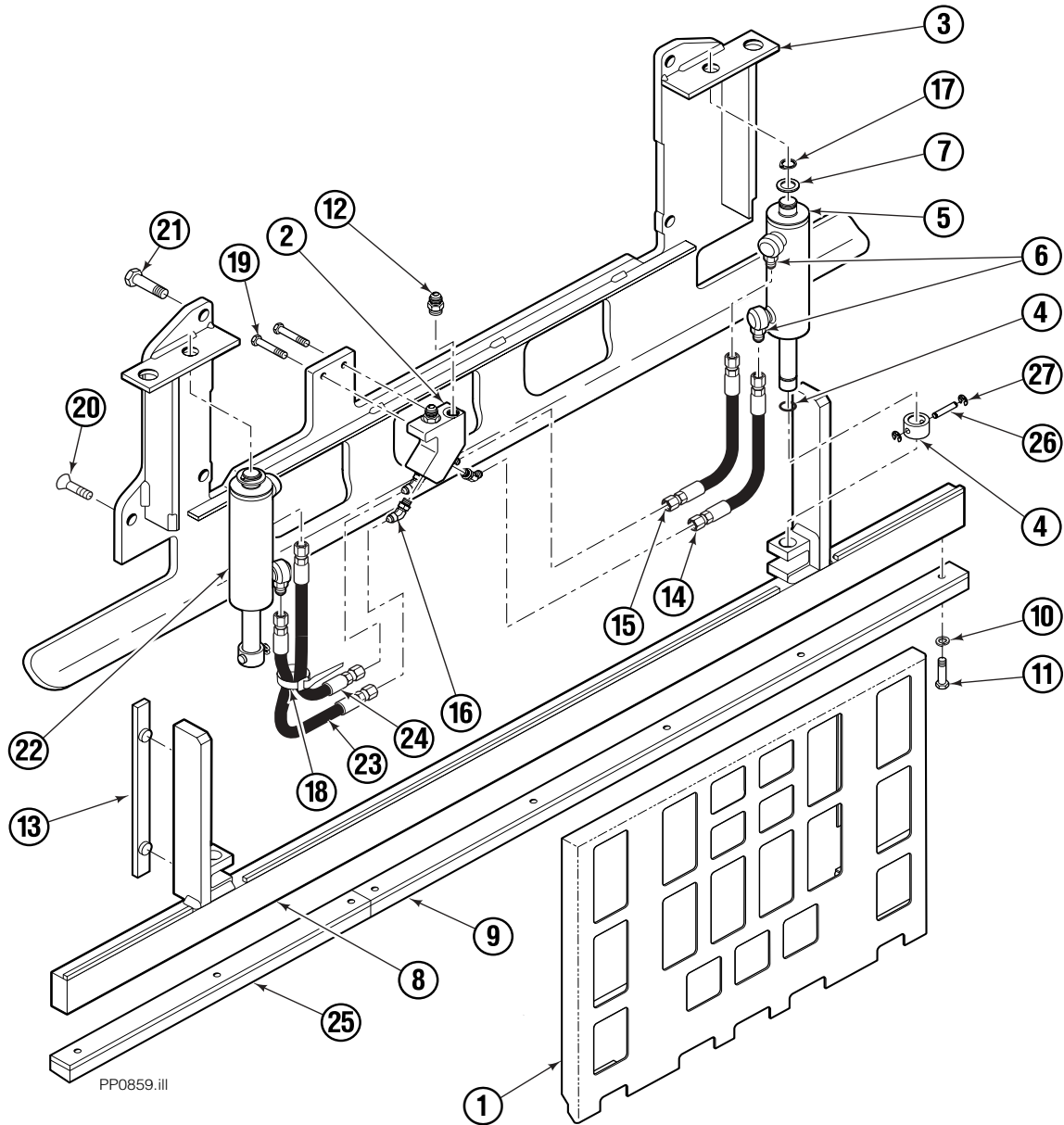
## Without Gripper Control



35E/45E			
REF	QTY	PART NO.	DESCRIPTION
		206939	Knob Group
1	1	665250	Snap Ring
2	1	206986	Cover
3	1	667012	Knob
4	1	665076	Strain Relief
5	1	677112	■ Switch
6	1	5902	Nut, 3/8 NC
7	1	665081	Adapter
8	1	667718	Cable Assembly
9	2	667752	Connector – Gray

■ This switch may be purchased without wires. Order part number 665004. Soldering is required.

# Faceplate Group



## 35E/45E

REF	QTY	PART NO.	DESCRIPTION	REF	QTY	PART NO.	DESCRIPTION
		6027441	Faceplate Group 60" x 48" ■	14	1	6002164	Hose, 32.67
		6027541	Gripper Jaw Assembly ●	15	1	6002163	Hose, 27.36
1	1	6027442	Faceplate 60" x 48" ■	16	4	617918	Fitting, 4-4
2	1	6002134	Valve	17	4	6003718	Retaining Ring
3	1	6027542	Gripper Jaw	18	4	684956	Wire Tie
4	2	6020451	Collar	19	2	787373	Capscrew, M8 x 20
5	1	6020456	Gripper Cylinder, LH ▲	20	2	768714	Capscrew, M16 x 60
6	4	617915	Fitting, 4-4	21	4	225346	Capscrew, M16 x 60
7	2	6001555	Washer	22	1	6020455	Gripper Cylinder, RH ▲
8	1	6028187	Gripper Bar	23	1	6002138	Hose, 12.40
9	1	672712	Gripper Pad	24	1	6002139	Hose, 17.72
10	8	680253	Lockwasher, M8	25	1	689164	Gripper Pad
11	8	787375	Capscrew, M8 x 20	26	2	6020412	Clevis Pin
12	2	604511	Fitting, 6-6	27	4	6020463	Retaining Ring
13	2	686573	Bearing				

■ Width x height.

● Includes items 2 thru 19, 22 thru 27.

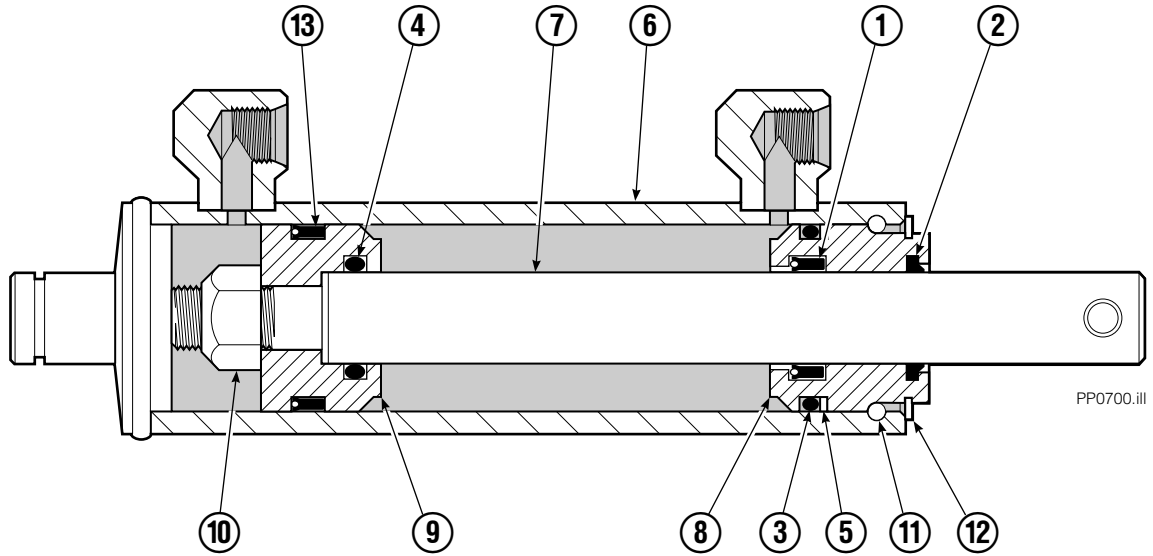
▲ See Gripper Cylinder page(s) for parts breakdown.

**cascade**®

For Technical Assistance call: 800-227-2233, Fax: 888-329-8207

To Order Parts call: 888-227-2233, Fax: 888-329-0234

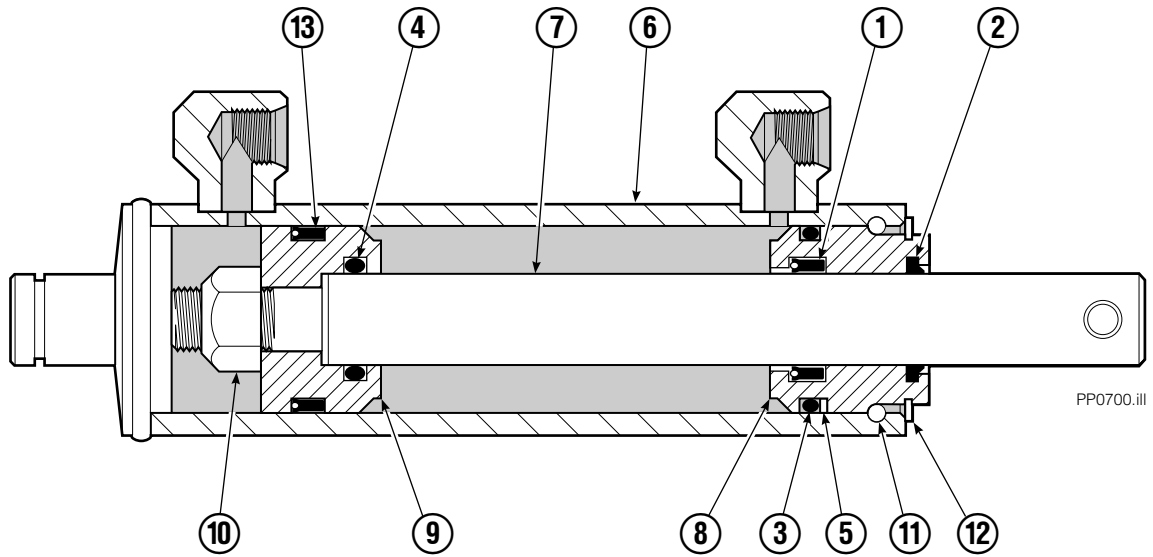
# Gripper Cylinder Right Hand



REF	QTY	PART NO.	DESCRIPTION
		6020455	Gripper Cylinder – RH
1	1	646540	▼ Seal
2	1	636850	▼ Wiper
3	1	2718	▼ O-Ring
4	1	2710	▼ O-Ring
5	1	615122	▼ Back-Up Ring
6	1	6014091	Shell
7	1	6020445	Rod
8	1	685664	Retainer
9	1	685665	Piston
10	1	563462	Nut
11	1	563916	Ring
12	1	3137	Ring
13	1	663728	▼ Piston Seal

▼ Included in Service Kit 684827.

# Gripper Cylinder Left Hand



REF	QTY	PART NO.	DESCRIPTION
		6020456	Gripper Cylinder - LH
1	1	646540	▼ Seal
2	1	636850	▼ Wiper
3	1	2718	▼ O-Ring
4	1	2710	▼ O-Ring
5	1	615122	▼ Back-Up Ring
6	1	6002131	Shell
7	1	6020445	Rod
8	1	685664	Retainer
9	1	685665	Piston
10	1	563462	Nut
11	1	563916	Ring
12	1	3137	Ring
13	1	663728	▼ Piston Seal

▼ Included in Service Kit 684827.



**Do you have questions you need answered right now?** Call your nearest Cascade Parts Department. Visit us online at [www.cascorp.com](http://www.cascorp.com)

**Cascade Corporation**  
2501 Sheridan Avenue  
Springfield, OH 45505  
Tel: 888-CASCADE (227-2233)  
FAX: 888-329-0234

**Cascade Canada Inc.**  
5570 Timberlea Blvd.  
Mississauga, Ontario  
Canada L4W-4M6  
Tel: 905-629-7777  
FAX: 905-629-7785

**Cascade GmbH**  
D-41199 Monchengladbach  
Klosterhofweg 52  
Germany  
Tel: 49-216-668230  
FAX: 49-216-6682323

**Cascade Finland**  
Albert Petreliuksenkatu 3  
01370 Vantaa  
Finland  
Tel: 358-9-836-1925  
FAX: 358-9-836-1935

**Cascade N.V.  
European Headquarters**  
P.O. Box 3009  
1300 El Almere  
Damluisweg 56  
1332 ED Almere  
The Netherlands  
Tel: 31-36-5492911  
FAX: 31-36-5492964

**Cascade N.V.  
Benelux Sales and Service**  
P.O. Box 3009  
1300 El Almere  
Damluisweg 56  
1332 ED Almere  
The Netherlands  
Tel: 31-36-5492950  
FAX: 31-36-5492974

**Cascade (UK) Ltd.**  
15, Orgreave Crescent  
Dore House Industrial Estate  
Handsworth  
Sheffield S13 9NQ  
England  
Tel: 742-697524  
FAX: 742-695121

**Cascade Scandinavia AB**  
Box 124  
Hammarvägen 10  
567 23 Vaggeryd  
Sweden  
Tel: 42-0-393-36950  
FAX: 46-0-393-36959

**Cascade Norway**  
Østerliveien 37A  
1153 Oslo  
Norway  
Tel: 47-22-743160  
FAX: 47-22-743157

**Cascade France S.A.R.L.**  
1D Rue De Charaintru  
BP 18, 91360 Epinay-Sur-Orge  
Morangis Cedex, France  
Tel: 33-1- 64547500  
FAX: 33-1-64547501

**Cascade Hispania S.A.**  
Carrer 5 Sector C  
Zona Franca Duanera  
Poligono de la Zon Franca  
08040 Barcelona, Spain  
Office No. 256  
Tel: 93-264-07-30  
FAX: 93-264-07-31

**Cascade Japan Ltd.**  
5-5-41,  
Torikai Kami  
Settsu, Osaka  
Japan, 566  
Tel: 81-726-53-3490  
FAX: 81-726-53-3497

**Cascade Korea**  
108B, Namdong Ind Complex  
658-3 Gojan-Dong  
Namdong-Gu  
Inchon, 405-310 Korea  
Tel: 82-32-821-2051  
FAX: 82-32-821-2055

**Cascade Australia**  
1445 Ipswich Road  
Rocklea, QLD 4106  
Australia  
Tel: 1-800227-223  
FAX: (07) 3373-7333

**Cascade New Zealand**  
15 Ra Ora Drive  
East Tamaki, Auckland  
New Zealand  
Tel: 9-273-9136  
FAX: 9-273-9137

**Cascade (Africa) Pty. Ltd.**  
P.O. Box 625, Isando 1600  
60A Steel Road  
Sparton, Kempton Park  
South Africa  
Tel: 27-11-975-9240  
FAX: 27-11-394-1147

**Cascade-Xiamen**  
No. 668 Yangguang Rd.  
Xinyang Industrial Zone  
Haicang, Xiamen City  
Fujian Province  
P.R. China 361026  
Tel: 86-592-651-2500  
FAX: 86-592-651-2571

**Cascade (Singapore)  
Trading Co.**  
Four Seasons Park  
Autumn Block - Apt. 1802  
12 Cuscaden Walk  
Singapore  
Tel: 65-834-1935  
FAX: 65-834-1936

