



# Parts Manual

---

Model 35E Push Pull

Serial Number 35E-PHB-103

---

**cascade**<sup>®</sup>  
corporation

**For Technical Assistance call:** 800-227-2233, Fax: 888-329-8207

**To Order Parts call:** 888-227-2233, Fax: 888-329-0234

OR

**Write:** Cascade Corporation, P.O. Box 20187, Portland, OR 97220

**Internet:** [www.cascorp.com](http://www.cascorp.com)

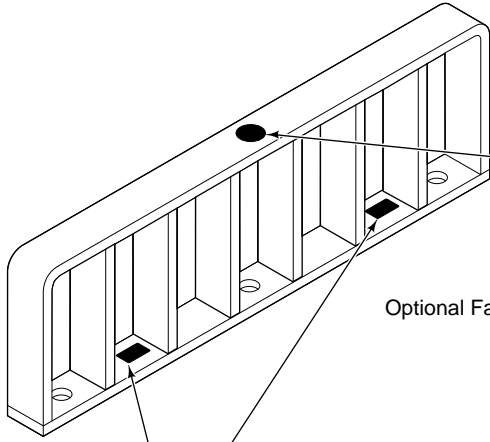
# Publications



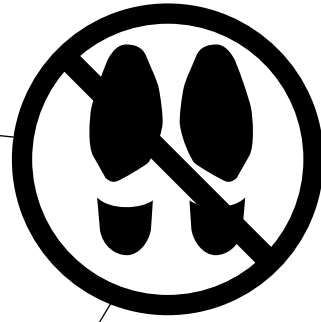
GA0006.eps

PART NO.	DESCRIPTION
	Parts Manual
686455	Service Manual
684945	Operators Guide
685531	Operators Pocket Guide
684944	Installation Instructions
680664	Servicing Cascade Cylinders-VHS
679929	Tool Catalog
673964	Literature Index Order Form

# Decals



Optional Faceplate Extension



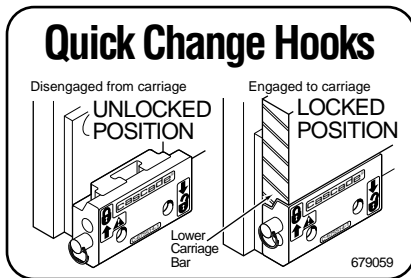
Part No. 679150  
(1 Place & 1 optional)



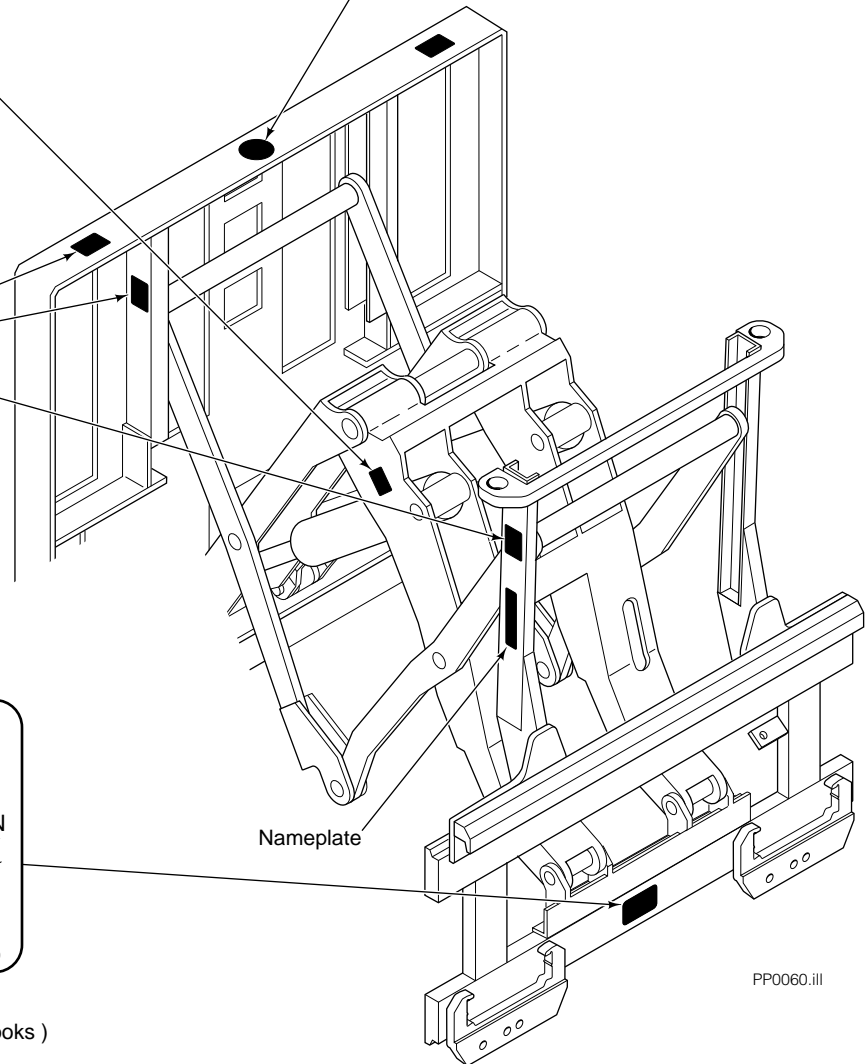
Part No. 665595  
(2 Place & 2 optional)



Part No. 656038  
(6 Places)



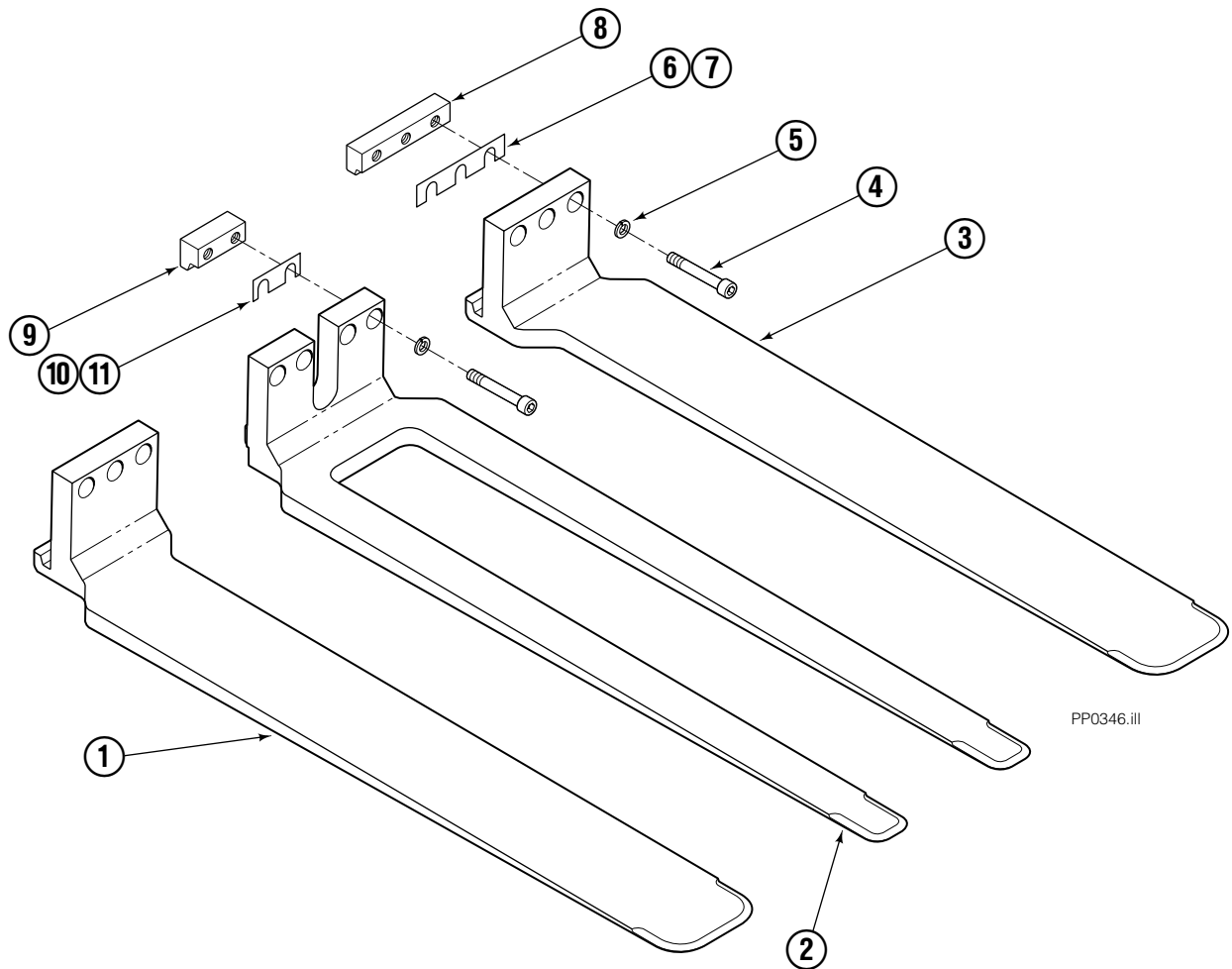
Part No. 679059  
(1 Place if equipped with Quick Change Hooks)



Nameplate

PP0060.iii

# Platen Group



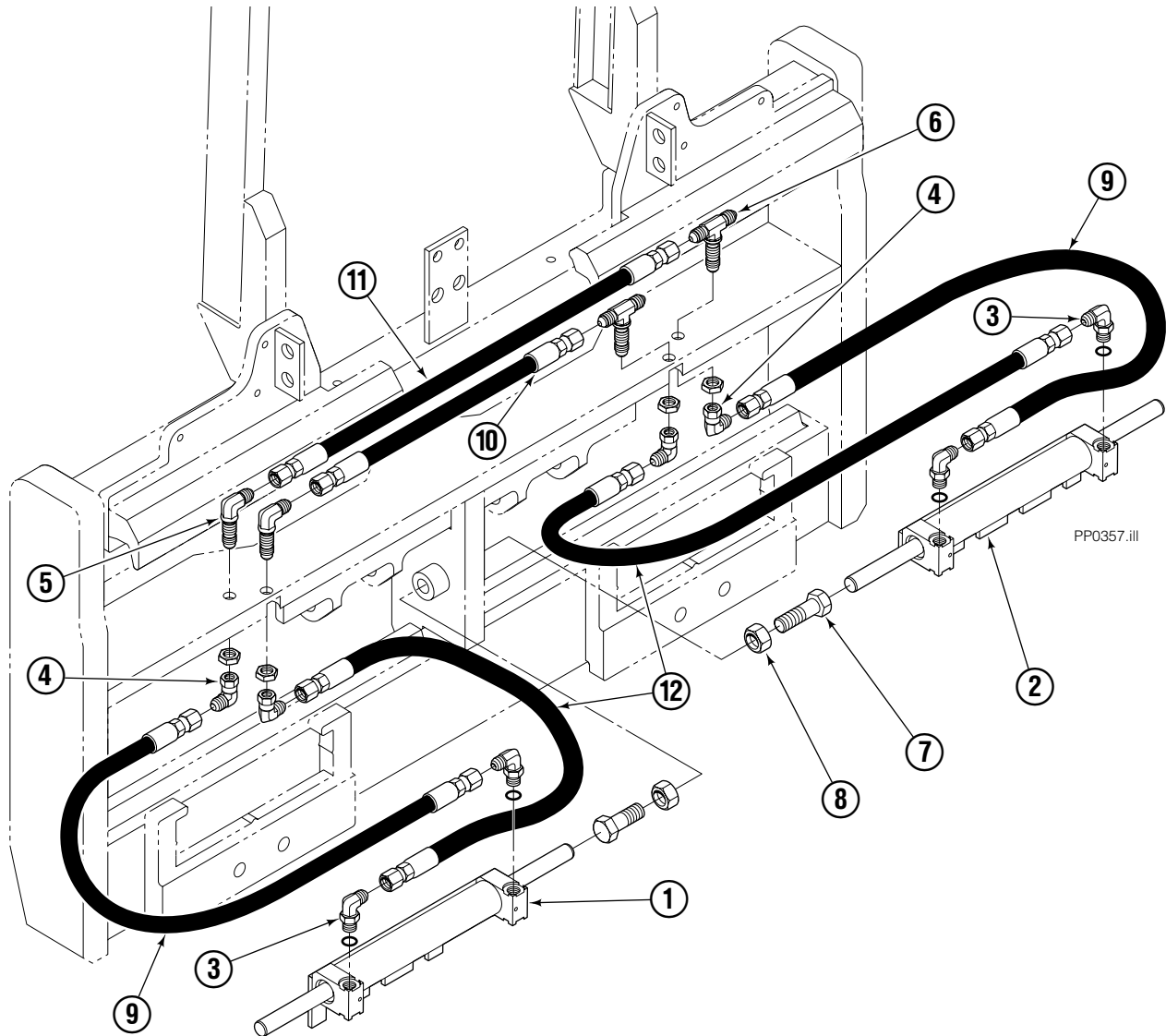
PP0346.iii

35E			
REF	QTY	PART NO.	DESCRIPTION
		3008460	Platen Group
1	1	3008498	Platen – R.H.
2	1	3008501	Platen – Center
3	1	3008495	Platen – L.H.
4	10	769583	Capscrew
5	10	681467	Lockwasher
6	◆	3008509	Shim – .030 in. (.762 mm)
7	◆	3008510	Shim – .021 in. (.533 mm)
8	2	3008508	Hook
9	2	3008504	Hook
10	◆	3008505	Shim – .030 in. (.762 mm)
11	◆	3008506	Shim – .021 in. (.533 mm)
12	1	3008465	Hydraulic Component Group ■

◆ Quantity as required.

■ See Hydraulic Components page for part breakdown.

# Platen Hydraulic Group

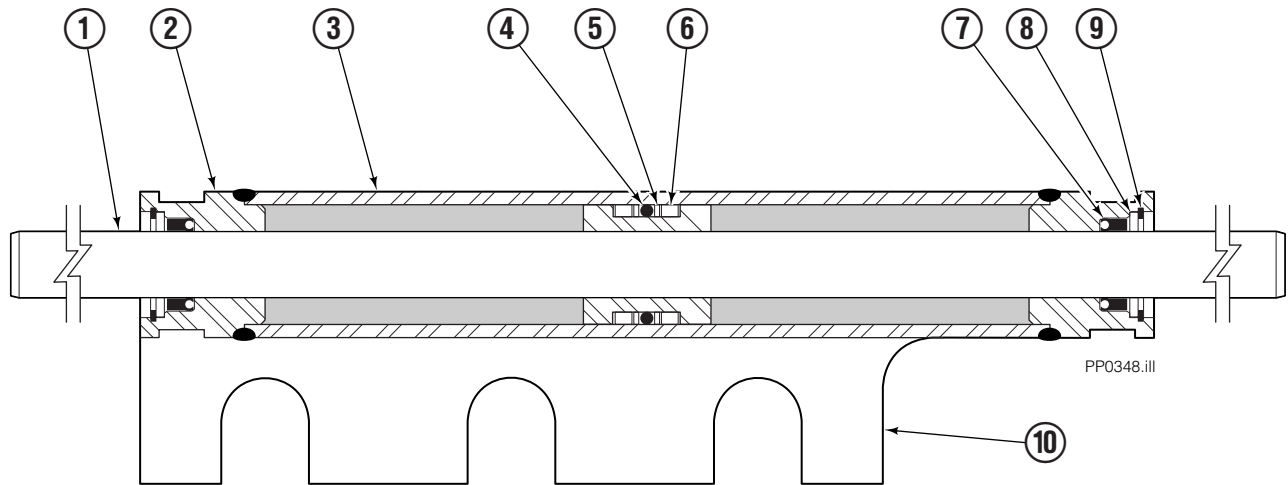


35E			
REF	QTY	PART NO.	DESCRIPTION
		3008465	Hydraulic Component Group
1	1	3008466	Cylinder – L.H. ◆
2	1	3008467	Cylinder – R.H. ◆
3	4	617917	Fitting, 4-4
4	4	617641	Fitting, 4-4
5	2	2451	Fitting, 4-4
6	2	222939	Fitting, 4-4
7	2	763024	Capscrew
8	2	679828	Nut
9	2	3008477	Hose ■
10	1	3008478	Hose ■
11	1	3008479	Hose ■
12	2	6002109	Hose ■

◆ See Cylinder page for parts breakdown.

■ Included in Hose Group 3009543.

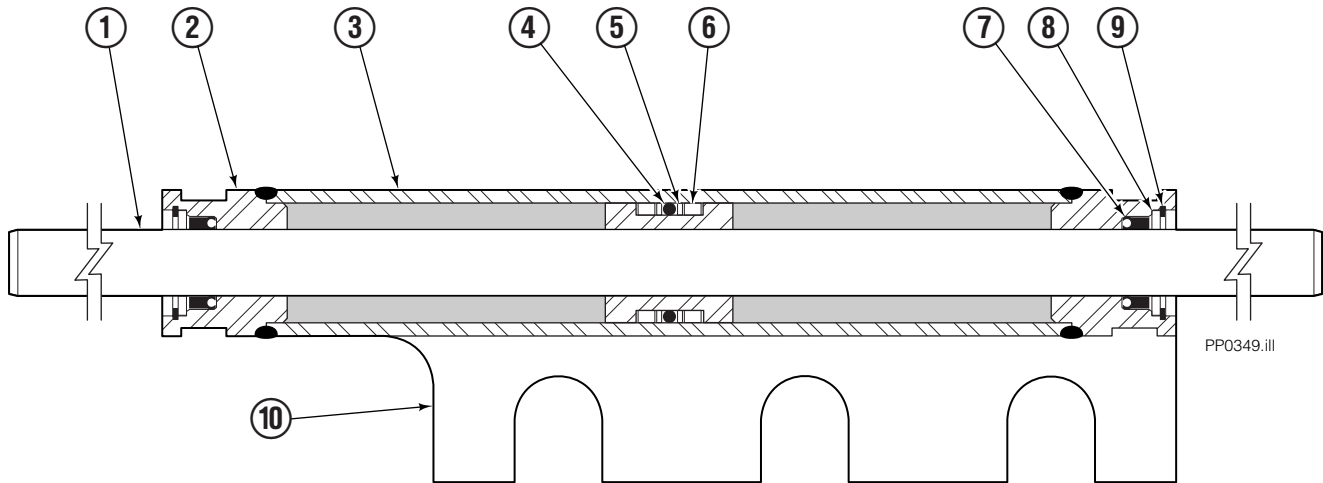
# Left-Hand Cylinder



35E			
REF	QTY	PART NO.	DESCRIPTION
		3008466	Cylinder - L.H.
1	1	3008471	Piston Rod ♦
2	2	3008470	Retainer ♦
3	1	3008469	Tube ♦
4	1	2712	O-Ring ♦
5	2	615116	Back-up Ring ♦
6	2	3008474	Nylon Ring ♦
7	2	641332	Seal
8	2	3008476	Washer
9	2	3017	Snap Ring
10	1	3008475	Plate ♦

♦ Parts cannot be serviced.  
Order complete Cylinder if replacement needed.

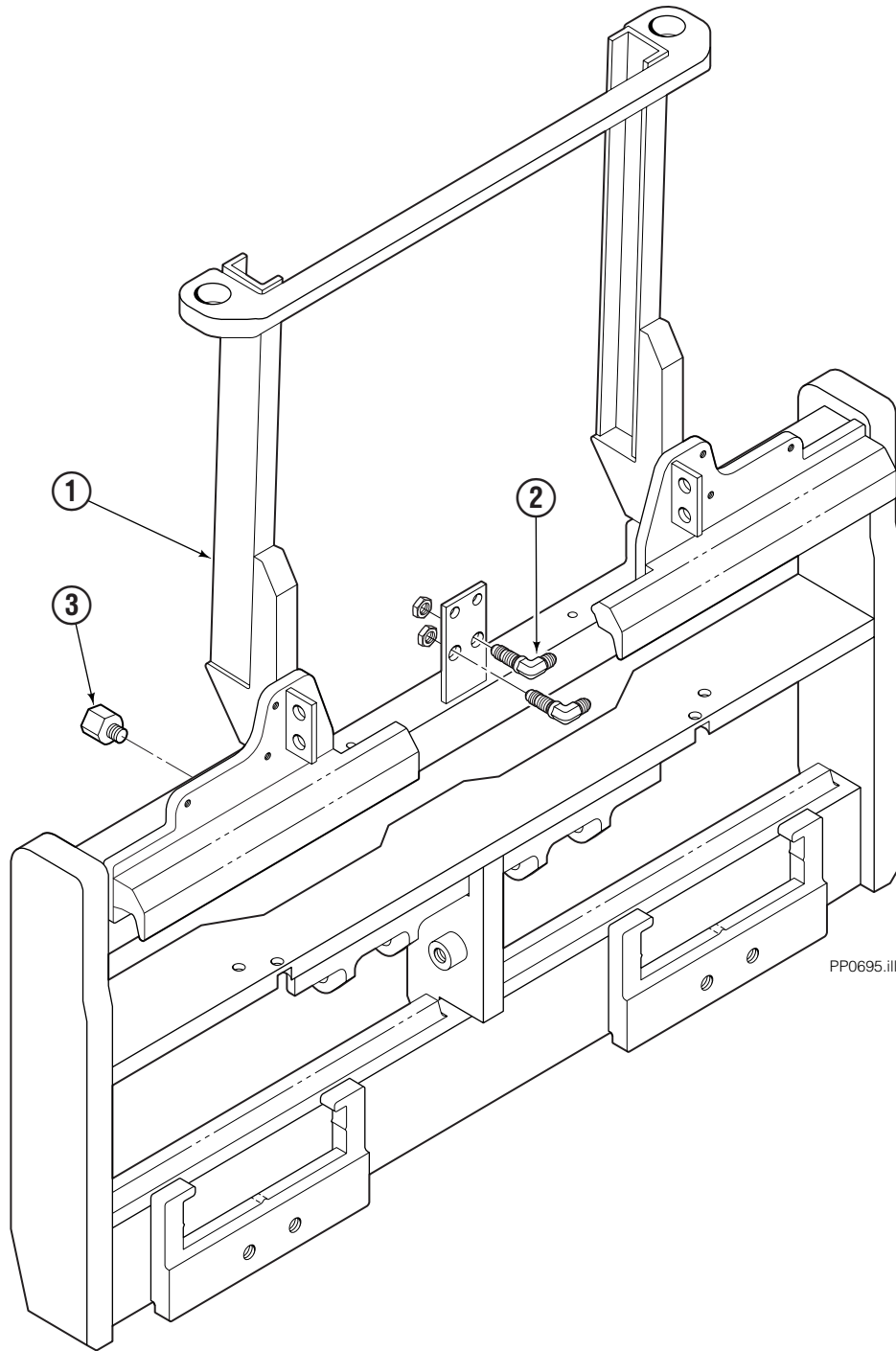
# Right-Hand Cylinder



35E			
REF	QTY	PART NO.	DESCRIPTION
		3008467	Cylinder - R.H.
1	1	3008471	Piston Rod ◆
2	2	3008470	Retainer ◆
3	1	3008469	Tube ◆
4	1	2712	O-Ring ◆
5	2	615116	Back-up Ring ◆
6	2	3008474	Nylon Ring ◆
7	2	641332	Seal
8	2	3008476	Washer
9	2	3017	Snap Ring
10	1	3008475	Plate ◆

◆ Parts cannot be serviced.  
Order complete Cylinder if replacement needed.

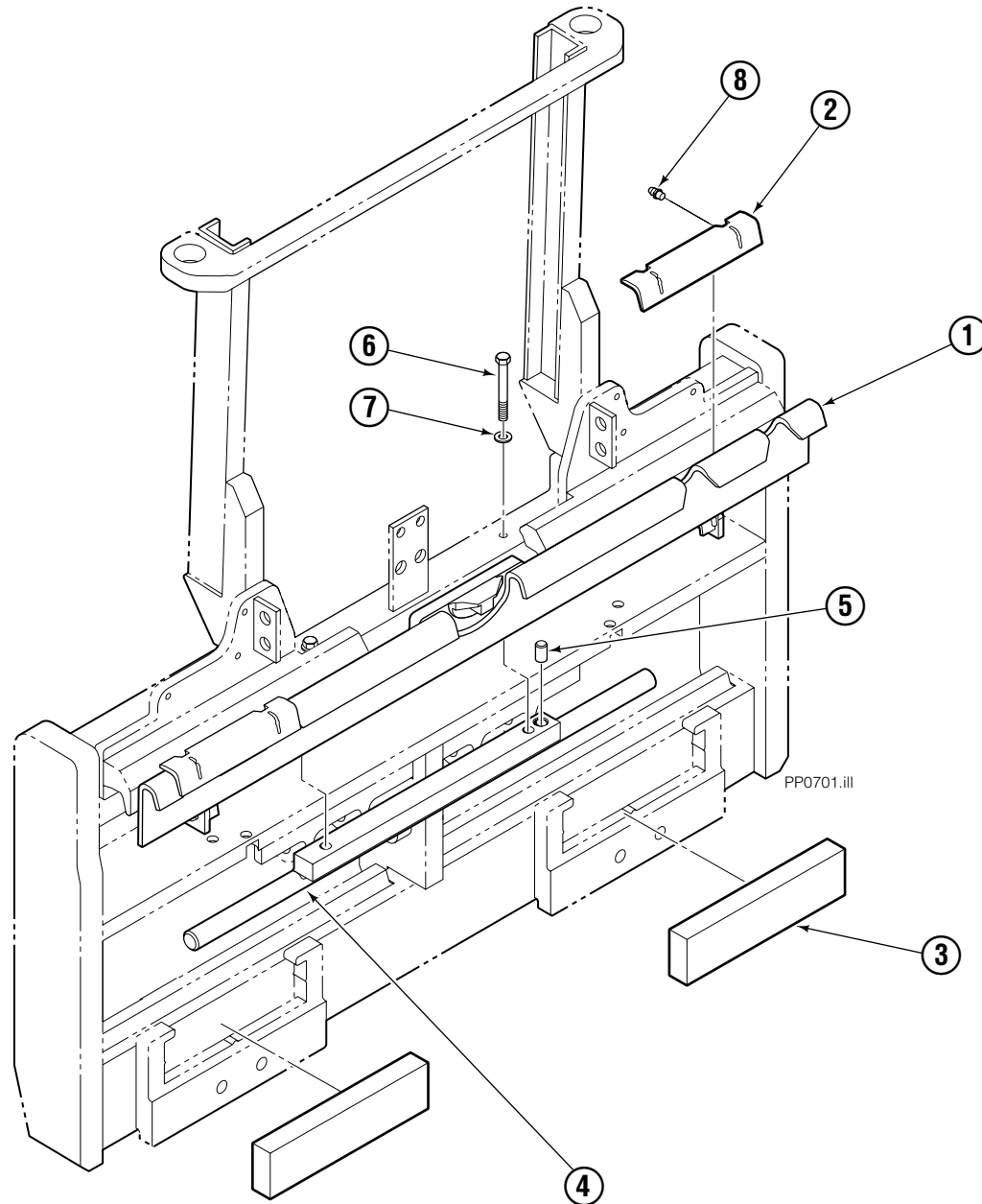
# Frame Group



PP0695.ill

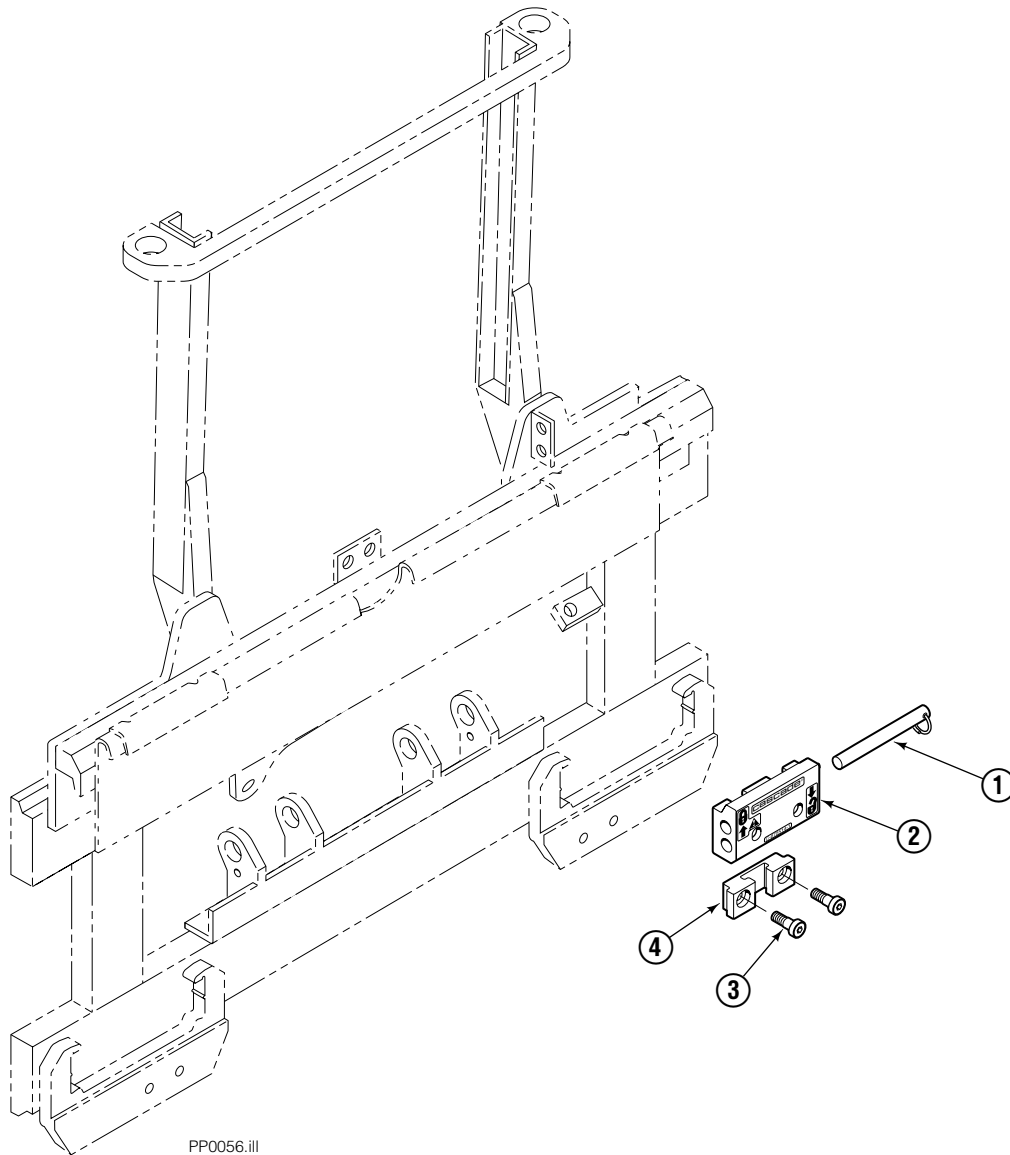
35E			
REF	QTY	PART NO.	DESCRIPTION
		6014750	Frame Group
1	1	6013400	Frame
2	2	2453	Fitting, 6-6
3	2	3008564	Stop

# Non S/S Mounting Group



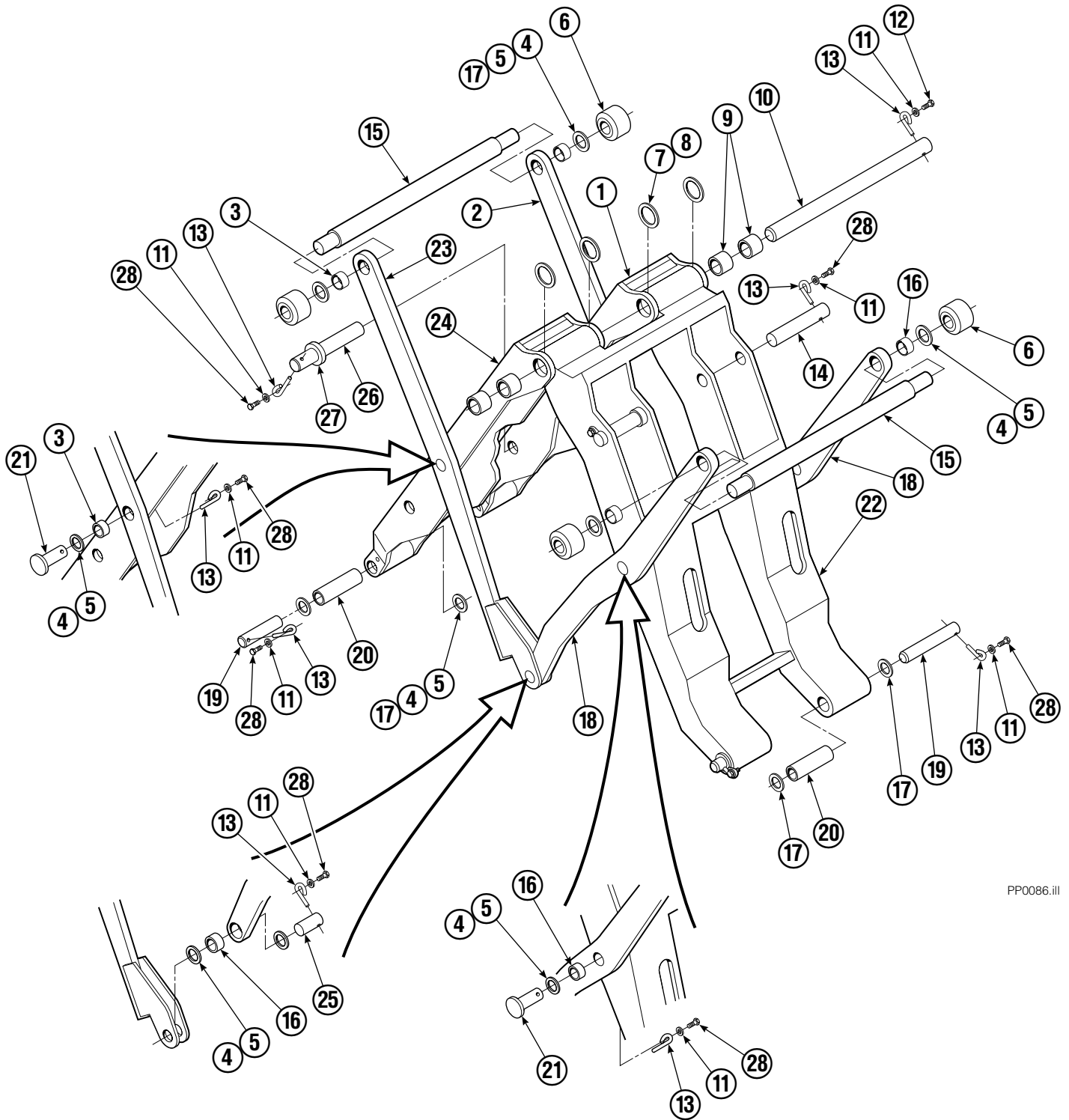
35E/45E			
REF	QTY	PART NO.	DESCRIPTION
		6001613	Mounting Group
1	1	6013403	Anchor Bracket
2	2	671165	Bearing Segment
3	2	682814	Bearing, Lower
4	1	6001615	Spacer
5	1	6012865	Dowel Pin
6	2	213774	Capscrew, M12 x 65
7	2	6013090	Washer, M12
8	4	7401	Grease Fitting

# Quick-Change Lower Hook Group ITA II



REF	QTY	PART NO.	DESCRIPTION
		683179	Lower Hook Group ITA II
1	2	678832	Pin
2	2	675514	Hook
3	4	683182	Capscrew
4	2	675515	Guide

# Mechanism Group



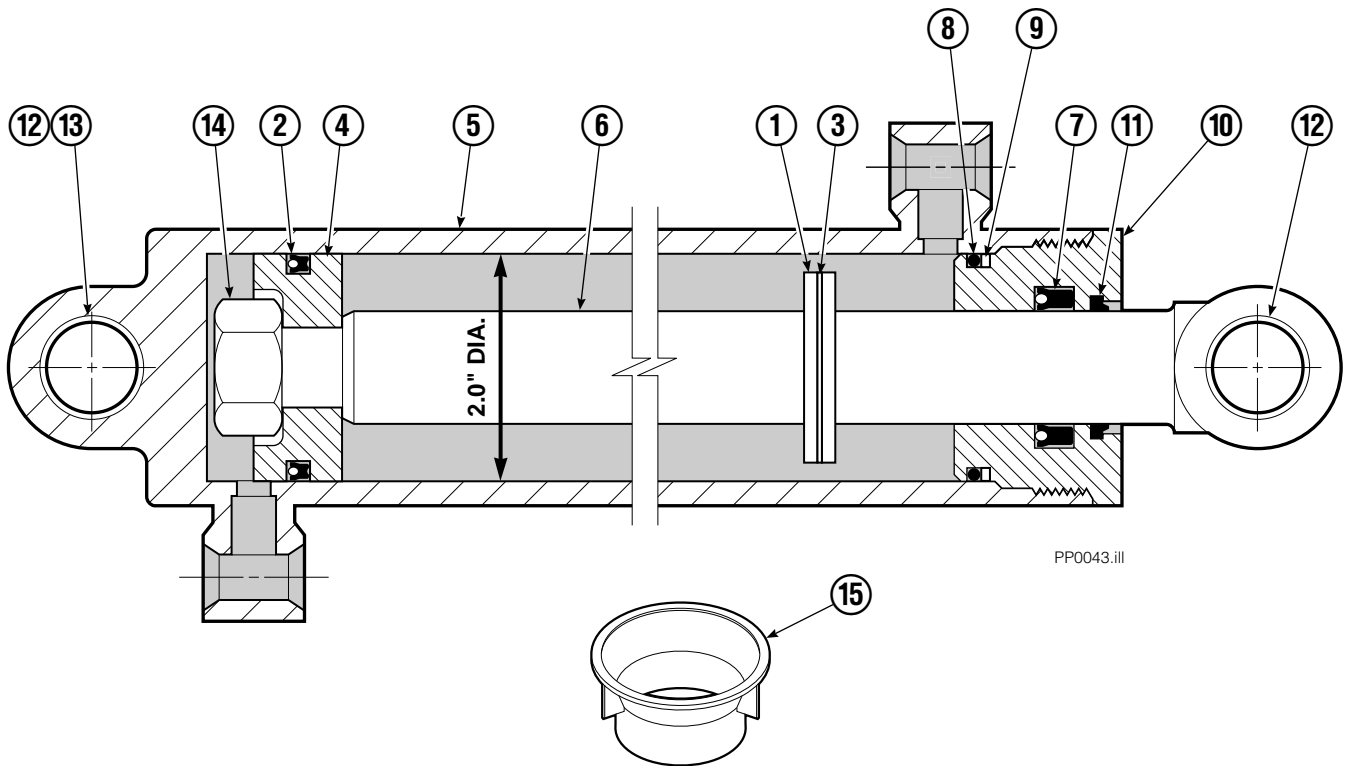
PP0086.ill

# Mechanism Group

<b>35E/45E</b>			
REF	QTY	PART NO.	DESCRIPTION
		204644	Mechanism Group
1	1	204691	Arm-Inner Secondary R. H.
2	1	204692	Arm-Secondary Outer R. H.
3	4	683154	■ Bushing
4	●	683161	Shim (.030)
5	●	683162	Shim (.060)
6	4	205070	Roller
7	●	683163	Shim (.030)
8	●	683164	Shim (.060)
9	4	683155	■ Bushing
10	1	682821	Pin
11	15	6229	Washer
12	2	685661	Capscrew
13	15	682999	Eye-Pin
14	2	682822	Pin-Head
15	2	205065	Pin
16	6	683153	■ Bushing
17	●	204532	Shim (.12)
18	2	204694	Arm-Outer Primary
19	4	204533	Pin-Frame
20	4	204535	■ Bushing
21	4	204695	Pin
22	1	204604	Arm-Inner Primary
23	1	204693	Arm-Secondary Outer L. H.
24	1	204690	Arm-Inner Secondary L. H.
25	2	204696	Pin-Outer
26	2	682823	Pin-Rod
27	2	683165	Spacer
28	13	767961	Capscrew

- Quantity as required.
- Included in Bushing Service Kit 205075.

# Cylinder

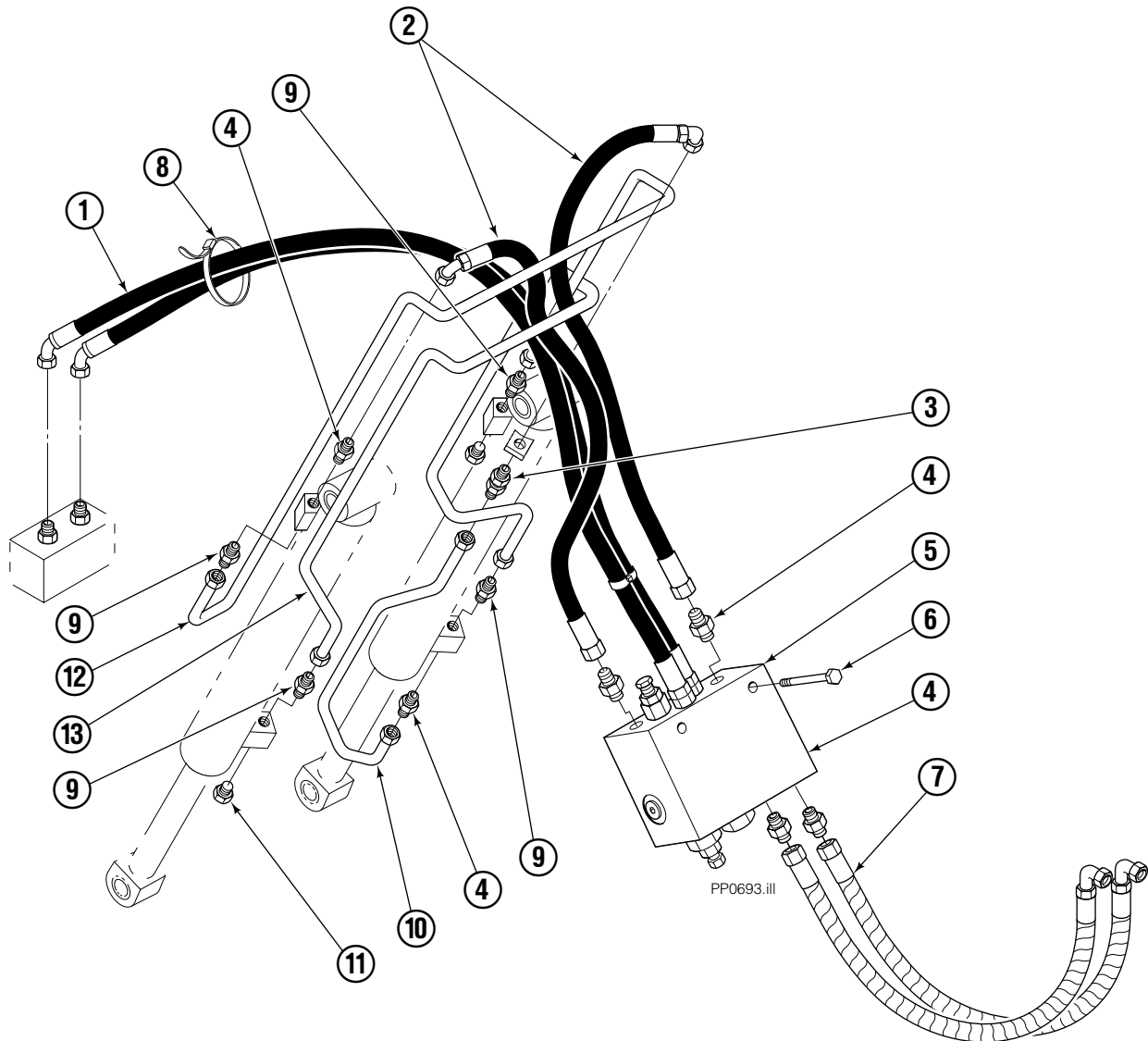


REF	QTY	PART NO.	DESCRIPTION
		582635	Cylinder Assembly
1	1	—	Spacer
2	1	562552	Seal ■
3	1	7348	Snap Ring
4	1	562334	Piston
5	1	562716	Shell
6	1	558626	Rod
7	1	559705	Seal ■
8	1	2785	O-Ring ■
9	1	615128	Back-Up Ring ■
10	1	559696	Retainer
11	1	636853	Wiper ■
12	4	559697	Bearing
13	1	559698	Spacer
14	1	678019	Nut
15	1	671047	Seal Loader Kit ■

■ Included in Service Kit 562338.

Reference: S-3424.

# Hydraulic Group

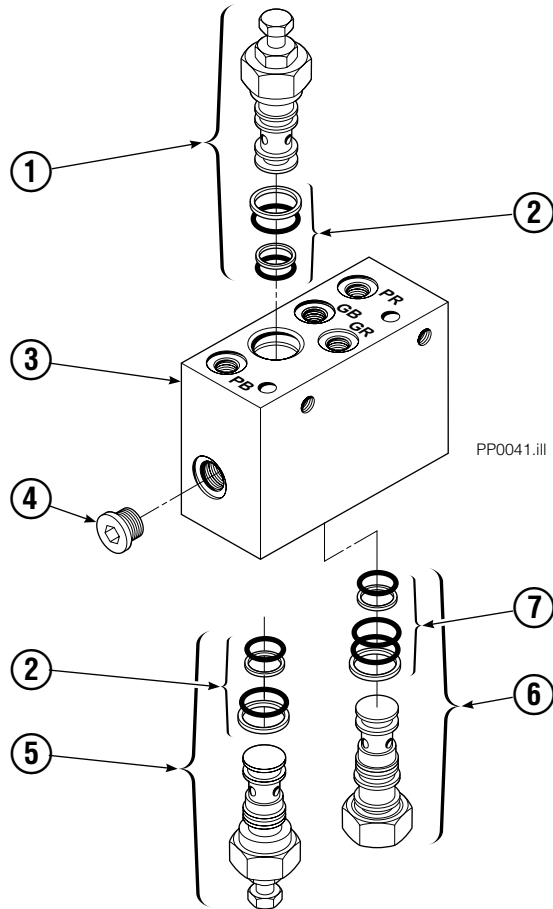


35E/45E			
REF	QTY	PART NO	DESCRIPTION
		6015387	Hydraulic Group ITA II
1	1	6015389	Hose
2	2	683173	Hose
3	1	2375	Fitting, 6-6
4	8	604511	Fitting, 6-6
5	1	682812	Valve ■
6	2	763166	Capscrew, M8
7	2	685978	Hose
8	2	684956	Cable Tie
9	4	605235	Fitting, 5-6
10	1	200647	Tube
11	2	604510	Fitting, 6
12	1	200649	Tube
13	1	200648	Tube

■ See Valve page for parts breakdown.  
Reference: 200581 Hydraulic Components.

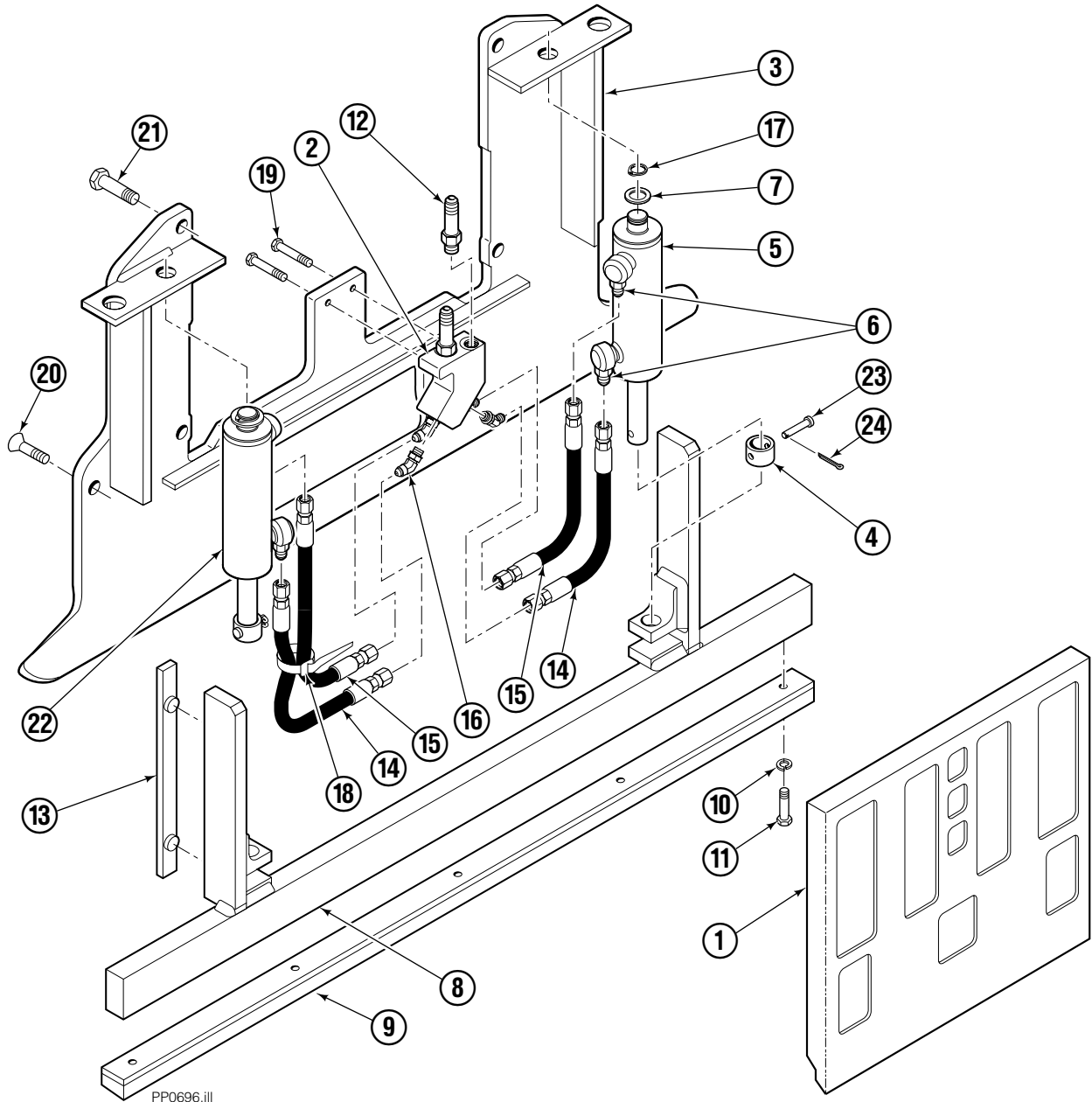
# Valve

## Load Push/Pull



REF	QTY	PART NO.	DESCRIPTION
		682812	Valve Assembly
1	1	677125	Sequence Valve (Retract)
2	2	669597	Service Kit
3	1	682813	Body
4	5	663694	Fitting, 3
5	1	677124	Sequence Valve (Extend)
6	1	659058	Gripper Check Valve
7	1	667516	Service Kit

# Faceplate Group



PP0696.ill

## 35E

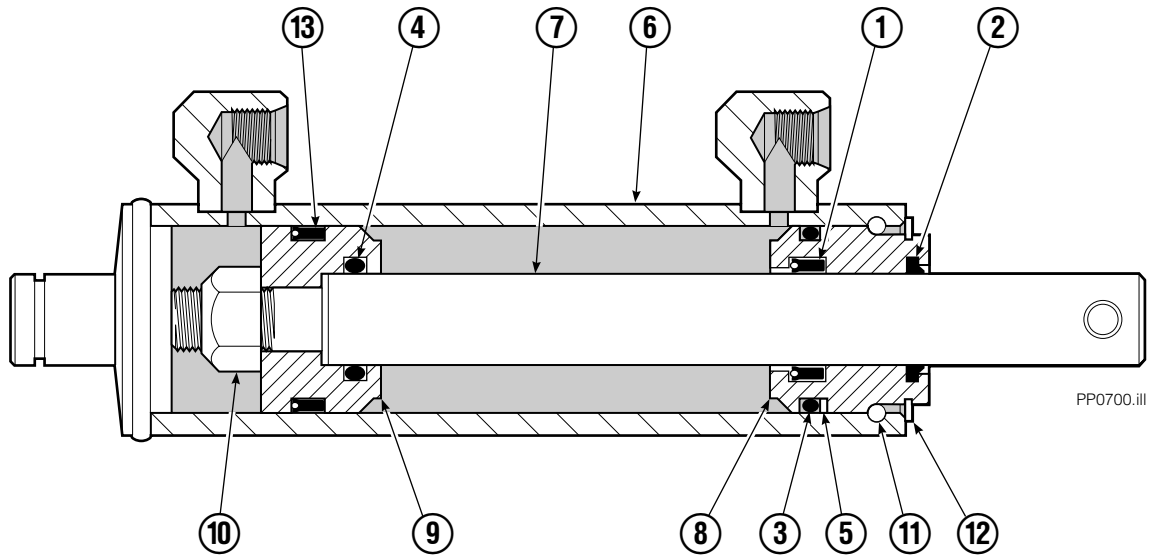
REF	QTY	PART NO.	DESCRIPTION	REF	QTY	PART NO.	DESCRIPTION
		6002169	Faceplate Group 40" x 40" ■	12	2	605743	Fitting, 6-6
		6014095	Gripper Jaw Assembly ●	13	2	686573	Bearing
1	1	6002170	Faceplate 40" x 40" ■	14	2	6002138	Hose
2	1	6002134	Valve	15	2	6002139	Hose
3	1	206396	Gripper Jaw	16	4	617918	Fitting, 4-4
4	2	6020451	Sleeve	17	2	6003718	Retaining Ring
5	1	6020456	Gripper Cylinder, LH ▼	18	4	684956	Wire Tie
6	4	617915	Fitting, 4-4	19	2	787373	Capscrew, M8x20
7	2	6001555	Washer	20	2	768714	Capscrew, M16
8	1	6002135	Gripper Bar	21	4	225346	Capscrew, M16
9	1	672712	Gripper Pad	22	1	6020455	Gripper Cylinder, RH ▼
10	5	680253	Lockwasher, M8	23	2	664762	Clevis Pin
11	5	787375	Capscrew, M8x20	24	2	6507	Cotter Pin

■ Width x height.

● Includes items 2 through 19, 22.

▼ See Gripper Cylinder page for parts breakdown.

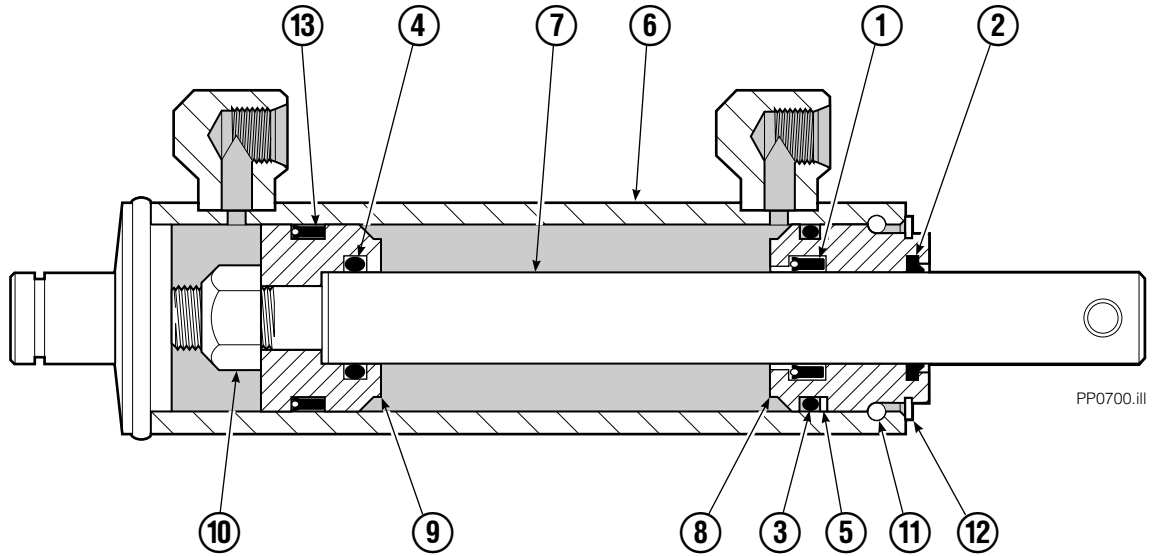
# Gripper Cylinder Left Hand



REF	QTY	PART NO.	DESCRIPTION
		6020456	Gripper Cylinder - LH
1	1	646540	▼ Seal
2	1	636850	▼ Wiper
3	1	2718	▼ O-Ring
4	1	2710	▼ O-Ring
5	1	615122	▼ Back-Up Ring
6	1	6002131	Shell
7	1	6020445	Rod
8	1	685664	Retainer
9	1	685665	Piston
10	1	563462	Nut
11	1	563916	Ring
12	1	3137	Ring
13	1	663728	▼ Piston Seal

▼ Included in Service Kit 684827.

# Gripper Cylinder Right Hand

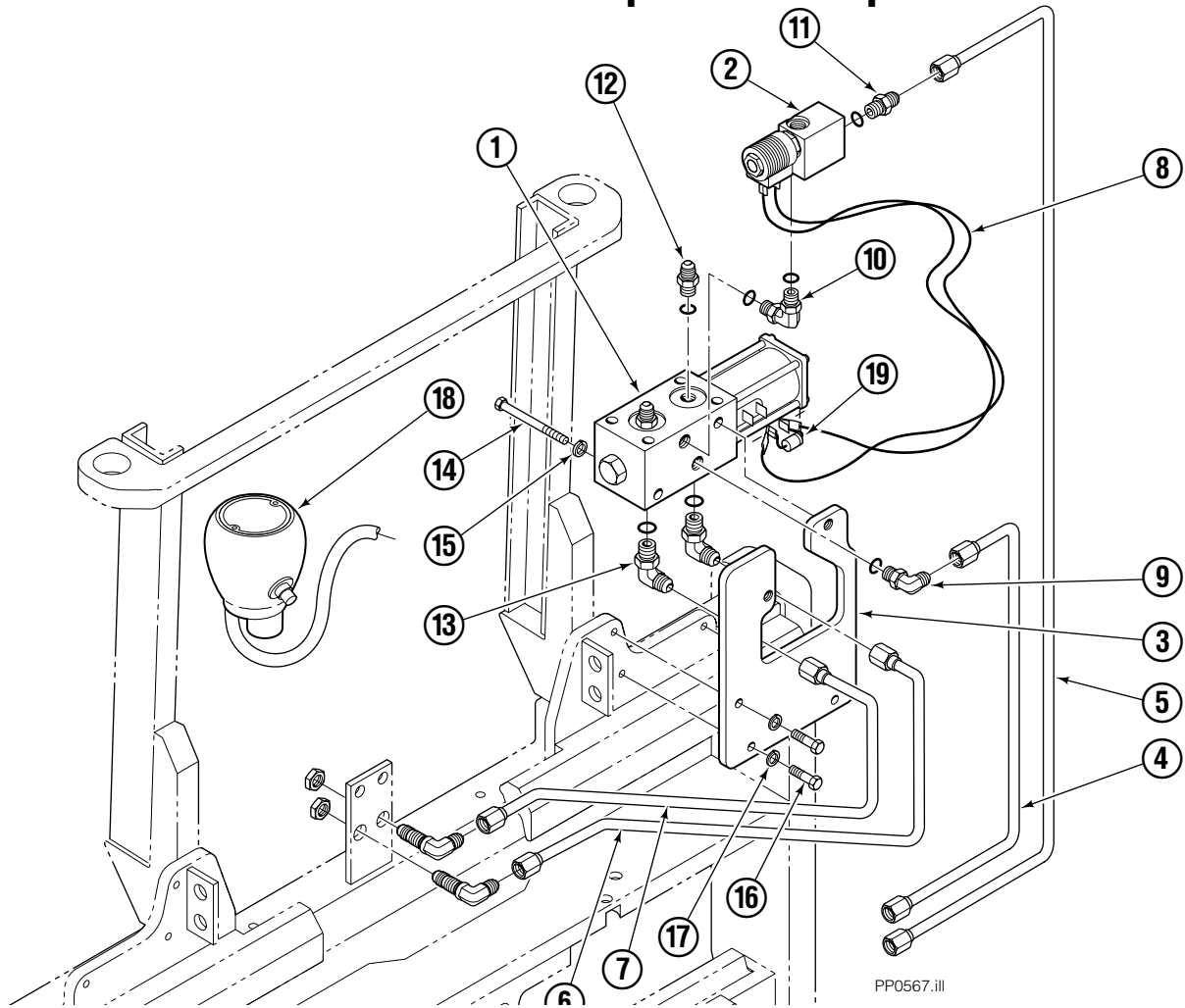


PP0700.iii

REF	QTY	PART NO.	DESCRIPTION
		6020455	Gripper Cylinder – RH
1	1	646540	▼ Seal
2	1	636850	▼ Wiper
3	1	2718	▼ O-Ring
4	1	2710	▼ O-Ring
5	1	615122	▼ Back-Up Ring
6	1	6014091	Shell
7	1	6020445	Rod
8	1	685664	Retainer
9	1	685665	Piston
10	1	563462	Nut
11	1	563916	Ring
12	1	3137	Ring
13	1	663728	▼ Piston Seal

▼ Included in Service Kit 684827.

# Solenoid Adaption Group



PP0567.iii

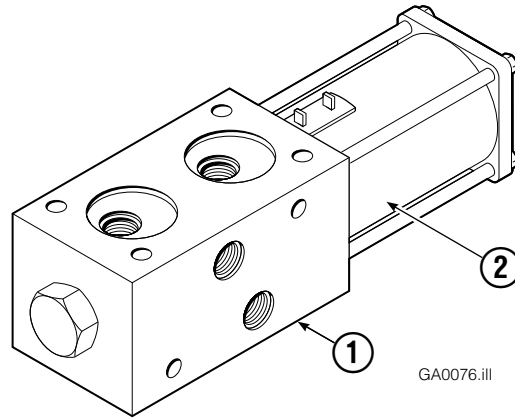
35E			
REF	QTY	PART NO.	DESCRIPTION
		6013421	Solenoid Adaption Group
1	1	■	Solenoid Valve
2	1	●	Solenoid Valve
3	1	3008565	Plate
4	1	3008566	Tube
5	1	3008567	Tube
6	1	3008657	Tube
7	1	3008658	Tube
8	2	204977	Wire Assembly
9	1	666984	Fitting, 4-6
10	1	619235	Fitting, 6-6
11	1	617915	Fitting, 4-4
12	2	604511	Fitting, 6-6
13	2	601676	Fitting, 6-6
14	2	768520	Capscrew
15	2	6201	Washer
16	3	765329	Capscrew
17	3	6287	Lockwasher
18	1	355058	▲ Knob Assembly
19	1	669432	Diode Assembly

■ See Solenoid Valve page for parts breakdown.

● See Solenoid Valve page for parts breakdown.

▲ See Control Knob page for parts breakdown.

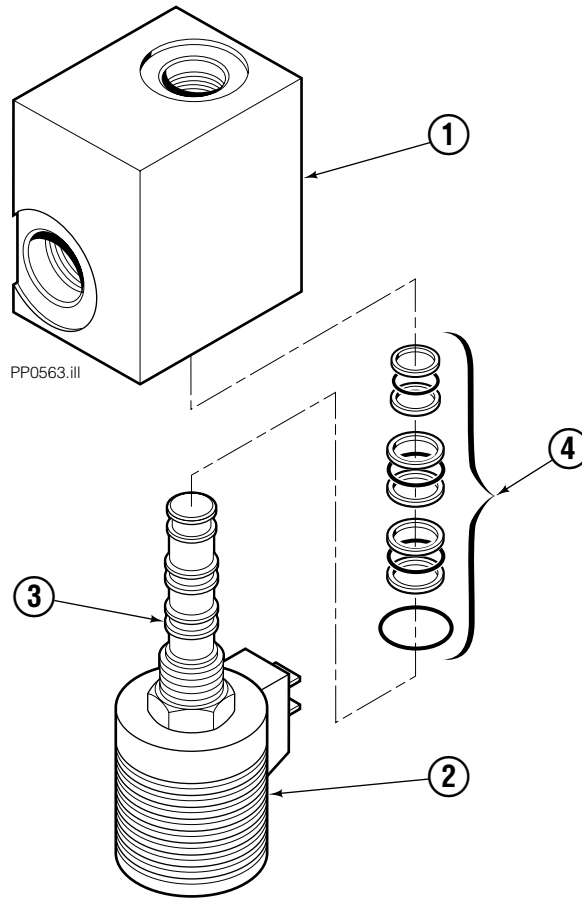
# Solenoid Valves



## Racine

REF	QTY	PART NO.	DESCRIPTION
1	1	614093	Solenoid Valve - 48V
2	1	665047	Coil - 48V
		685012	Service Kit

# Solenoid Valves

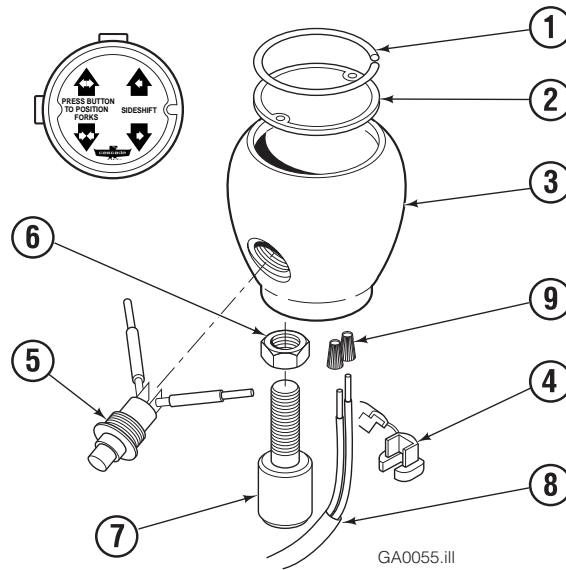


REF	QTY	PART NO.	DESCRIPTION
		6009149	Solenoid Valve Assy
1	1	204978	Valve Body
2	1	6000359	Coil - 48V
3	1	6002084	Valve Cartridge
4	1	6009164	Service Kit

Reference: S-21076.

# Control Knob

## Two Function – Sideshift Only



<b>35E/45E</b>			
REF	QTY	PART NO.	DESCRIPTION
		355058	Knob Group
1	1	665250	Snap Ring
2	1	355059	Cover
3	1	665012	Knob
4	1	665076	Strain Relief
5	1	677112	■ Switch
6	1	5902	Nut, 3/8 NC
7	1	665081	Adapter
8	1	667718	Cable Assembly
9	2	667752	Connector-Gray

■ This switch may be purchased without wires. Order part number 665004. Soldering is required.



**Do you have questions you need answered right now?** Call your nearest Cascade Parts Department.

**Cascade Corporation**

2501 Sheridan Avenue  
Springfield, OH 45505  
Tel: 888-CASCADE (227-2233)  
FAX: 888-329-0234  
www.cascorp.com

**Cascade Canada Inc.**

5570 Timberlea Blvd.  
Mississauga, Ontario  
Canada L4W-4M6  
Tel: 905-629-7777  
FAX: 905-629-7785

**Cascade GmbH**

D-41199 Monchengladbach  
Klosterhofweg 52  
Germany  
Tel: 49-216-668230  
FAX: 49-216-6682323

**Cascade Finland**

Albert Petreliuksenkatu 3  
01370 Vantaa  
Finland  
Tel: 358-9-836-1925  
FAX: 358-9-836-1935

**Cascade N.V.  
European Headquarters**

P.O. Box 3009  
1300 El Almere  
Damsluisweg 56  
1332 ED Almere  
The Netherlands  
Tel: 31-36-5492911  
FAX: 31-36-5492964

**Cascade N.V.  
Benelux Sales and Service**

P.O. Box 3009  
1300 El Almere  
Damsluisweg 56  
1332 ED Almere  
The Netherlands  
Tel: 31-36-5492950  
FAX: 31-36-5492974

**Cascade (UK) Ltd.**

15, Orgreave Crescent  
Dore House Industrial Estate  
Handsworth  
Sheffield S13 9NQ  
England  
Tel: 742-697524  
FAX: 742-695121

**Cascade Scandinavia AB**

Box 124  
Hammarvägen 10  
567 23 Vaggeryd  
Sweden  
Tel: 42-0-393-36950  
FAX: 46-0-393-36959

**Cascade Norway**

Østerliveien 37A  
1153 Oslo  
Norway  
Tel: 47-22-743160  
FAX: 47-22-743157

**Cascade France S.A.R.L.**

1D Rue De Charaintru  
BP 18, 91360 Epinay-Sur-Orge  
Morangis Cedex, France  
Tel: 33-1- 64547500  
FAX: 33-1-64547501

**Cascade Hispania S.A.**

Carrer 5 Sector C  
Zona Franca Duanera  
Poligono de la Zon Franca  
08040 Barcelona, Spain  
Office No. 256  
Tel: 93-264-07-30  
FAX: 93-264-07-31

**Cascade Japan Ltd.**

5-5-41,  
Torikai Kami  
Settsu, Osaka  
Japan, 566  
Tel: 81-726-53-3490  
FAX: 81-726-53-3497

**Cascade Korea**

108B, Namdong Ind Complex  
658-3 Gojan-Dong  
Namdong-Gu  
Inchon, 405-310 Korea  
Tel: 82-32-821-2051  
FAX: 82-32-821-2055

**Cascade Australia**

1445 Ipswich Road  
Rocklea, QLD 4106  
Australia  
Tel: 1-800227-223  
FAX: (07) 3373-7333

**Cascade New Zealand**

15 Ra Ora Drive  
East Tamaki, Auckland  
New Zealand  
Tel: 9-273-9136  
FAX: 9-273-9137

**Cascade (Africa) Pty. Ltd.**

P.O. Box 625, Isando 1600  
60A Steel Road  
Sparton, Kempton Park  
South Africa  
Tel: 27-11-975-9240  
FAX: 27-11-394-1147

**Cascade-Xiamen**

No. 668 Yangguant Rd.  
Xinyang Industry Zone  
Haicant, Xiamen City  
Fujian Province  
P.R. China 361026  
Tel: 86-592-651-2500  
FAX: 86-592-651-2571

**Cascade (Singapore)  
Trading Co.**

Four Seasons Park  
Autumn Block - Apt. 1802  
12 Cuscaden Walk  
Singapore  
Tel: 65-834-1935  
FAX: 65-834-1936

