



Parts Manual

40D, 55D, 100D, 125D

360° Rotators

Serial Numbers 670607 through 670832

Manual Number 672159 R-1

**cascade[®]
corporation**

Cascade is a Registered Trademark of Cascade Corporation.
P.O. Box 360 • Springfield, Ohio 45505 • (513) 322-1199

C

HOW TO USE THIS MANUAL

Introduction

This manual illustrates service replacement parts for standard production Cascade 40D, 55D, 100D, and 125D Rotators.

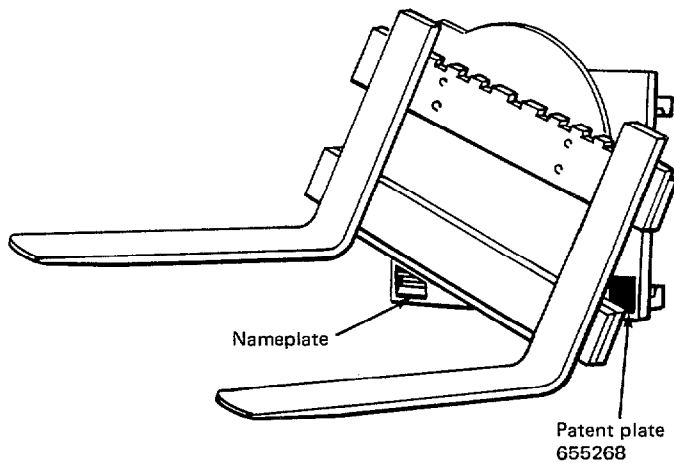
The parts manuals for attachments designed by the Application Engineering Department have an A.E.D. designation on the cover of the manual.

This standard attachment manual is not interchangeable with an A.E.D. Manual since it does not reflect the special engineering of an A.E.D. attachment.

To locate a service replacement part for a standard attachment follow the steps below.

1. Locate Nameplate

The nameplate is attached to the lower right front face of the baseplate. If the nameplate is missing, all of the necessary information is stamped into the baseplate at the same location.



2. Note the Serial Number

Record the six-digit Serial Number. See the example.

3. Refer to Serial Number Index

Locate your Serial Number in the Serial Number Index on the following page.

IMPORTANT: DO NOT USE THIS MANUAL TO ORDER PARTS FOR AN A.E.D. ATTACHMENT. Contact Cascade Corporation to obtain the correct parts manual. You must supply the serial number and all additional equipment numbers to order the correct parts manual.

4. Ordering

To order service replacement parts contact:

Parts Depot
Cascade Corporation
2501 Sheridan Ave.
Springfield, Ohio 45505
Telephone: (513) 322-1199
Telex: 205413

To order parts or service manuals contact:

Technical Publication Dept.
Cascade Corporation
2201 N.E. 201
Portland, Oregon 97230
Telephone: 1-800-547-5266
or
503-666-1511

5. For Your Convenience

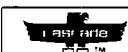
... we have supplied a parts ordering log located on the last page. Use this log as a permanent record of parts ordered from this manual.

A rectangular nameplate for a Cascade Lift Truck Attachment. The top section features the Cascade logo and the text 'cascade LIFT TRUCK ATTACHMENT'. Below this, there are fields for 'SERIAL NUMBER' (670607-P-2) and 'CATALOG NUMBER' (40D-RR-11F). There are also fields for 'ADDITIONAL EQUIPMENT' and 'WEIGHT LBS.'. The bottom section is titled 'ATTACHMENT CAPACITY' and includes fields for 'POUNDS AT' and 'INCH LOAD CENTER'. A note states: 'CAPACITY OF TRUCK AND ATTACHMENT COMBINATION MAY BE LESS THAN ATTACHMENT CAPACITY SHOWN ABOVE. CONSULT TRUCK NAMEPLATE.' At the bottom, it says 'FOR SERVICE AND PARTS LITERATURE CONTACT cascade corporation 503/6661511 PORTLAND, OREGON, U.S.A.'



Serial Number Index

Serial Number	Model	Base Unit Group Page	Drive Group Page	Drive Motor Page	Check Valve Page	Fork Group Page	Fork Bar Group Page	Mounting Group Page	180° Stop Group Page
670607	40D	1	2	2C	3	4	5	6	7
670608	40D	1	2	2C	3	4	5	6	7
670609	40D	1	2	2C	3	4	5	6	7
670610	40D	1	2	2C	3	4	5	6	7
670613	40D	1	2	2C	3	4	5	6	7
670614	40D	1	2	2C	3	4	5	6	7
670615	40D	1	2	2C	3	4	5	6	7
670616	40D	1	2	2C	3	4	5	6	7
670621	55D	1A	2	2C	3	4	5	6	7
670622	55D	1A	2	2C	3	4	5	6	7
670623	55D	1A	2	2C	3	4	5	6	7
670624	55D	1A	2	2C	3	4	5	6	7
670627	55D	1A	2	2C	3	4	5	6	7
670628	55D	1A	2	2C	3	4	5	6	7
670629	55D	1A	2	2C	3	4	5	6	7
670630	55D	1A	2	2C	3	4	5	6	7
670636	55D	1A	2	2C	3	4	5	6	7
670637	55D	1A	2	2C	3	4	5	6	7
670638	55D	1A	2	2C	3	4	5	6	7
670639	55D	1A	2	2C	3	4	5	6	7
670641	55D	1A	2	2C	3	4	5	6	7
670642	55D	1A	2	2C	3	4	5	6	7
670643	55D	1A	2	2C	3	4	5	6	7
670644	55D	1A	2	2C	3	4	5	6	7
670646	55D	1A	2	2C	3	4	5	6A	7
670647	55D	1A	2	2C	3	4	5	6A	7
670648	55D	1A	2	2C	3	4	5	6A	7
670649	55D	1A	2	2C	3	4	5	6A	7
670652	55D	1A	2	2C	3	4	5	6A	7
670653	55D	1A	2	2C	3	4	5	6A	7
670654	55D	1A	2	2C	3	4	5	6A	7
670655	55D	1A	2	2C	3	4	5	6A	7
670658	55D	1A	2	2C	3	4	5	6A	7
670659	55D	1A	2	2C	3	4	5	6A	7
670660	55D	1A	2	2C	3	4	5	6A	7
670661	55D	1A	2	2C	3	4	5	6A	7
670663	55D	1A	2	2C	3	4	5	6A	7
670664	55D	1A	2	2C	3	4	5	6A	7
670665	55D	1A	2	2C	3	4	5	6A	7
670666	55D	1A	2	2C	3	4	5	6A	7
670711	100D	1B	2A	2C	3	4A	5	6B	7
670712	100D	1B	2A	2C	3	4A	5	6B	7
670713	100D	1B	2A	2C	3	4A	5	6B	7
670714	100D	1B	2A	2C	3	4A	5	6B	7
670717	100D	1B	2A	2C	3	4A	5	6B	7
670718	100D	1B	2A	2C	3	4A	5	6B	7
670719	100D	1B	2A	2C	3	4A	5	6B	7
670720	100D	1B	2A	2C	3	4A	5	6B	7

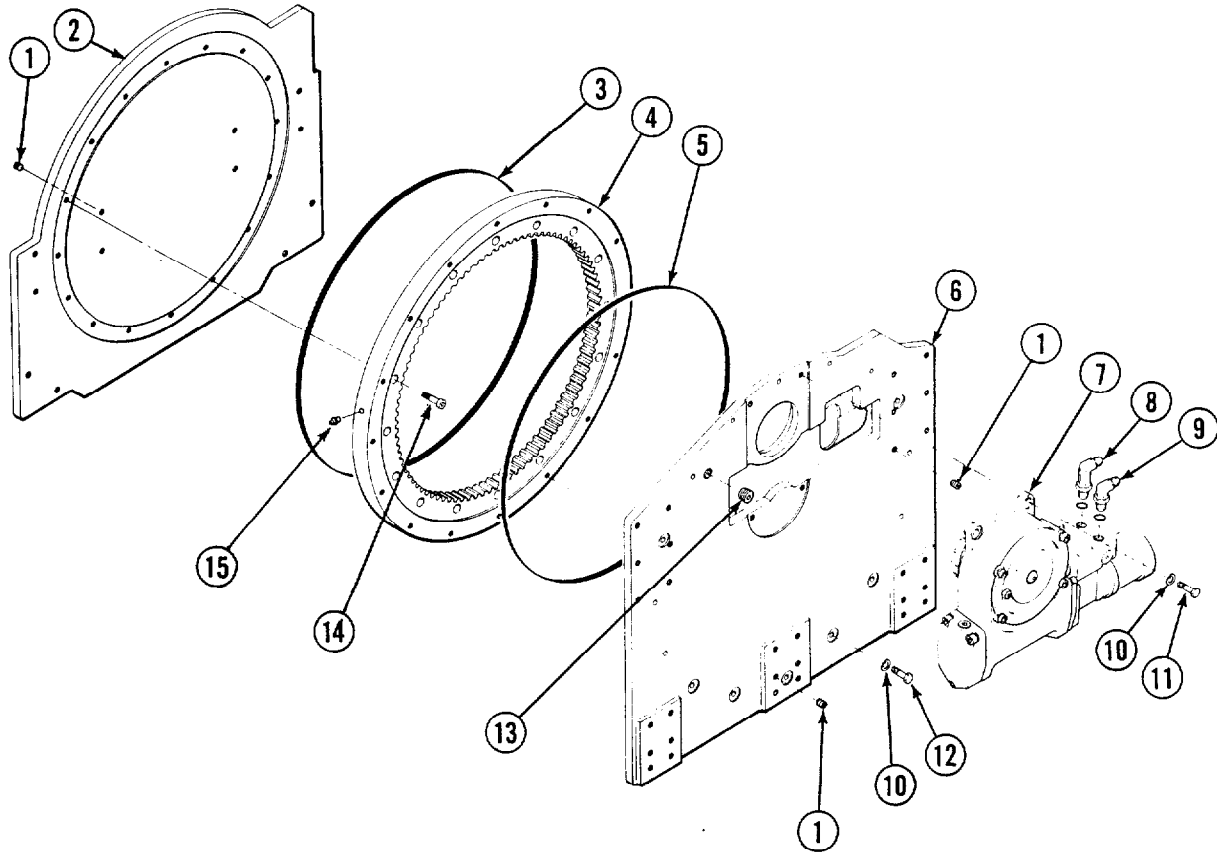


Serial Number Index

Serial Number	Model	Base Unit Group Page	Drive Group Page	Drive Motor Page	Check Valve Page	Fork Group Page	Fork Bar Group Page	Mounting Group Page	180° Stop Group Page
670726	100D	1B	2A	2C	3	4A	5	6B	7
670627	100D	1B	2A	2C	3	4A	5	6B	7
670728	100D	1B	2A	2C	3	4A	5	6B	7
670729	100D	1B	2A	2C	3	4A	5	6B	7
670731	100D	1B	2A	2C	3	4A	5	6B	7
670732	100D	1B	2A	2C	3	4A	5	6B	7
670733	100D	1B	2A	2C	3	4A	5	6B	7
670734	100D	1B	2A	2C	3	4A	5	6B	7
670736	100D	1B	2A	2C	3	4A	5	6C	7
670737	100D	1B	2A	2C	3	4A	5	6C	7
670738	100D	1B	2A	2C	3	4A	5	6C	7
670739	100D	1B	2A	2C	3	4A	5	6C	7
670742	100D	1B	2A	2C	3	4A	5	6C	7
670743	100D	1B	2A	2C	3	4A	5	6C	7
670744	100D	1B	2A	2C	3	4A	5	6C	7
670745	100D	1B	2A	2C	3	4A	5	6C	7
670748	100D	1B	2A	2C	3	4A	5	6C	7
670749	100D	1B	2A	2C	3	4A	5	6C	7
670750	100D	1B	2A	2C	3	4A	5	6C	7
670751	100D	1B	2A	2C	3	4A	5	6C	7
670753	100D	1B	2A	2C	3	4A	5	6C	7
670754	100D	1B	2A	2C	3	4A	5	6C	7
670755	100D	1B	2A	2C	3	4A	5	6C	7
670756	100D	1B	2A	2C	3	4A	5	6C	7
670808	125D	1C	2B	2C	3	4A	5	6D	7
670809	125D	1C	2B	2C	3	4A	5	6D	7
670810	125D	1C	2B	2C	3	4A	5	6D	7
670813	125D	1C	2B	2C	3	4A	5	6D	7
670814	125D	1C	2B	2C	3	4A	5	6D	7
670815	125D	1C	2B	2C	3	4A	5	6D	7
670817	125D	1C	2B	2C	3	4A	5	6D	7
670818	125D	1C	2B	2C	3	4A	5	6D	7
670819	125D	1C	2B	2C	3	4A	5	6D	7
670821	125D	1C	2B	2C	3	4A	5	6D	7
670822	125D	1C	2B	2C	3	4A	5	6D	7
670823	125D	1C	2B	2C	3	4A	5	6D	7
670826	125D	1C	2B	2C	3	4A	5	6D	7
670827	125D	1C	2B	2C	3	4A	5	6D	7
670828	125D	1C	2B	2C	3	4A	5	6D	7
670830	125D	1C	2B	2C	3	4A	5	6D	7
670831	125D	1C	2B	2C	3	4A	5	6D	7
670832	125D	1C	2B	2C	3	4A	5	6D	7



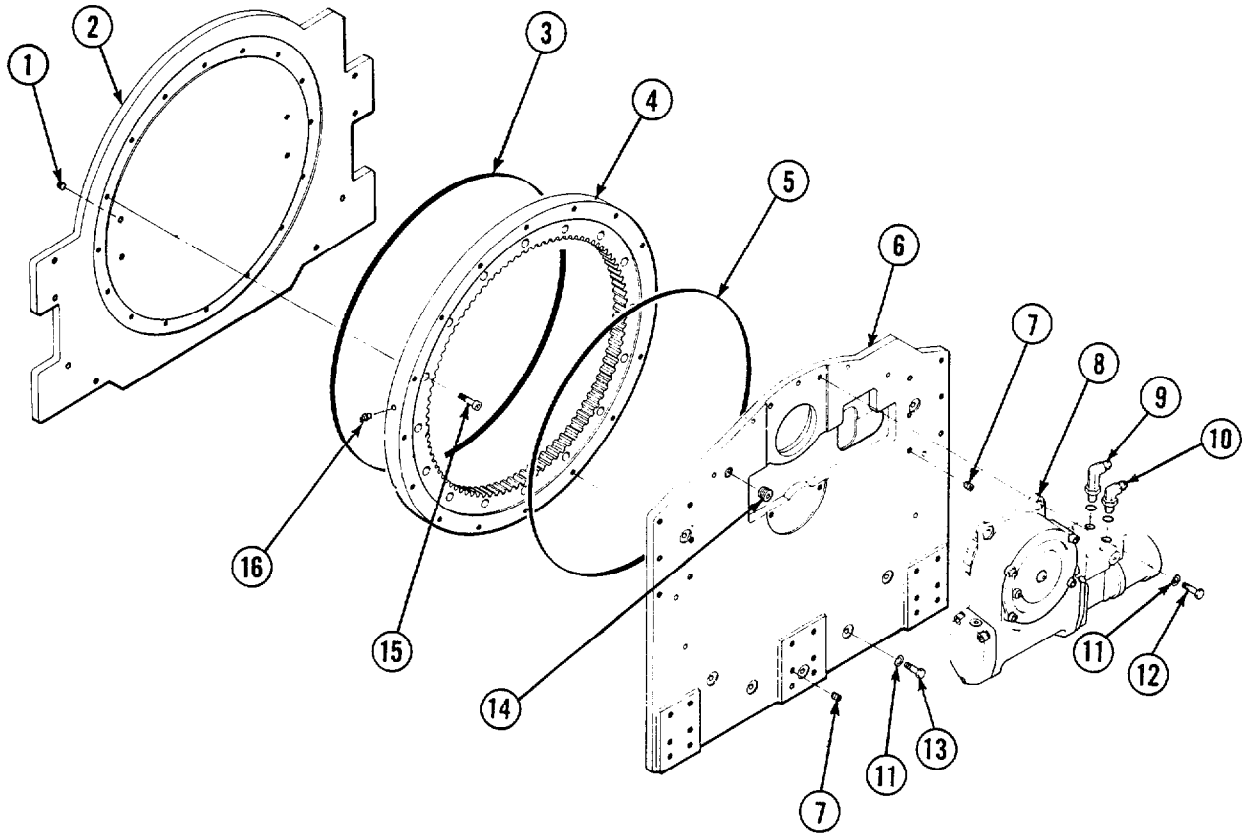
Base Unit Group



40D			
REF. NO.	QTY.	PART NO.	DESCRIPTION
1	12	631385	Plug
2	1	670503	Faceplate
3	1	670513	Seal
◆ 4	1	672828	Bearing Assembly
5	1	670514	Seal
6	1	670497	Baseplate
● 7	1	670505	Drive Group
8	1	660385	Fitting
9	1	601250	Fitting
10	20	6290	Lockwasher
11	4	661742	Capscrew, 1/2 NC x 1.25 GR5
12	16	640013	Capscrew, 1/2 NC x 1.75 GR5
13	1	6605	Plug
◆ 14	16	669322	Capscrew, 1/2 NC x 1.5
15	1	7401	Grease Fitting
		672481	Bearing Service Kit

- Includes items 3 and 5.
- See page 2 for replacement parts breakdown.
- ◆ Included in bearing Service Kit 672481.

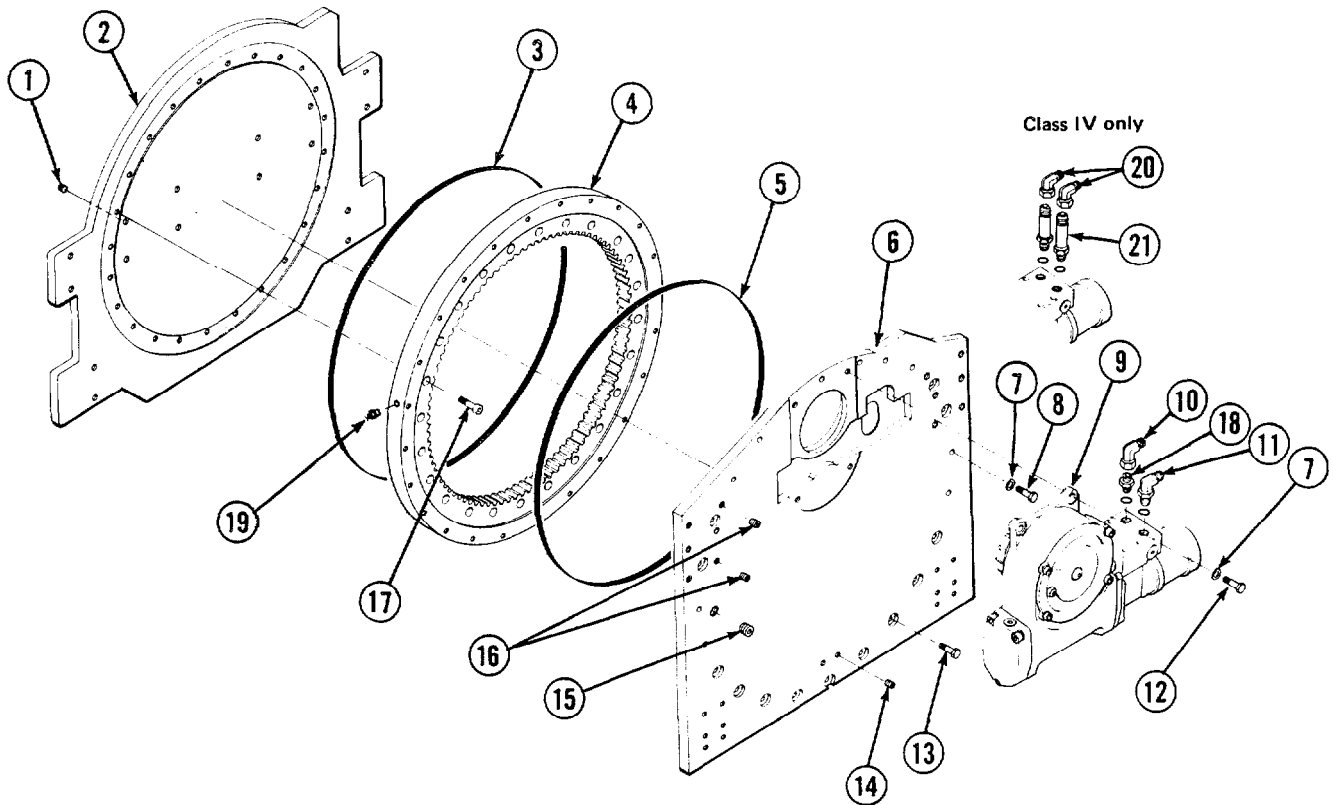
Base Unit Group



55D			
REF. NO.	QTY.	PART NO.	DESCRIPTION
1	4	631428	Plug
2	1	670496	Faceplate
3	1	670513	Seal
◆ 4	1	672828	Bearing Assembly
5	1	670514	Seal
6	1	670497	Baseplate
7	8	631385	Plug
● 8	1	670505	Drive Group
9	1	660385	Fitting
10	1	601250	Fitting
11	20	6290	Lockwasher
12	4	661742	Capscrew, 1/2 NC x 1.25 GR5
13	16	640013	Capscrew, 1/2 NC x 1.75 GR5
14	1	6605	Plug
◆ 15	16	669322	Capscrew, 1/2 NC x 1.5
16	1	7401	Grease Fitting
		672481	Bearing Service Kit

- Includes items 3 and 5.
- See page 2 for replacement parts breakdown.
- ◆ Included in Bearing Service Kit 672481.

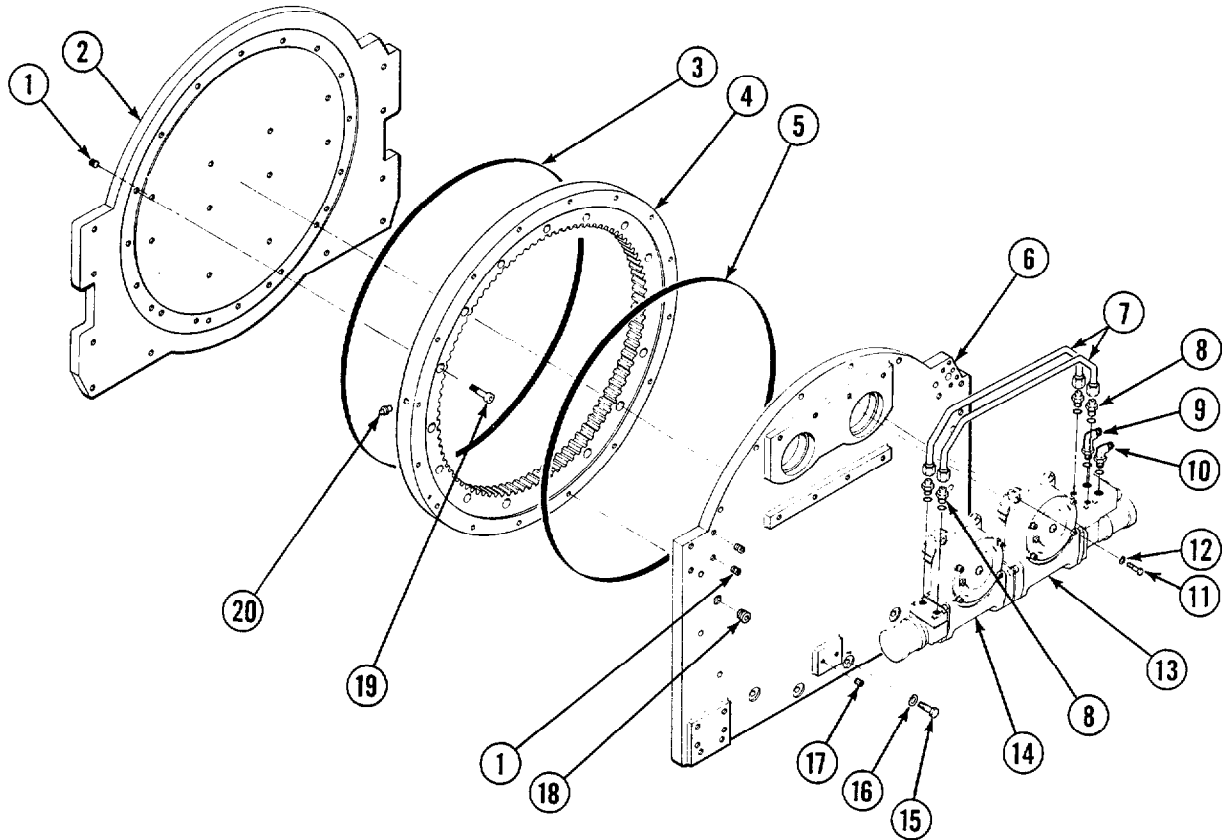
Base Unit Group



100D			
REF. NO.	QTY.	PART NO.	DESCRIPTION
1	10	631428	Plug
2	1	670669	Faceplate
3	1	670515	Seal
◆ 4	1	672830	Bearing Assembly
5	1	670516	Seal
6	1	670670	Baseplate
7	17	6290	Lockwasher
8	13	636408	Capscrew, 1/2 NC x 2.0 GR5
● 9	1	670555	Drive Group
10	1	605761	Fitting - Class III only
11	1	601250	Fitting - Class III only
12	4	661742	Capscrew, 1/2 NC x 1.25 GR5
13	11	670682	Capscrew, 1/2 NC x 1.5 GR5
14	2	631427	Plug
15	1	6605	Plug
16	6	631385	Plug
◆ 17	24	617254	Capscrew, 1/2 NC x 1.75
18	1	601377	Fitting - Class III only
19	1	7401	Grease Fitting
20	2	605761	Fitting - Class IV only
21	2	611295	Fitting - Class IV only
		672482	Bearing Service Kit

- ◆ Includes items 3 and 5.
- See page 2A for replacement parts breakdown.
- ◆ Included in Bearing Service Kit 672482.

Base Unit Group



125D			
REF. NO.	QTY.	PART NO.	DESCRIPTION
1	18	631428	Plug
2	1	670773	Faceplate
3	1	670518	Seal
◆ 4	1	670782	Bearing Assembly
5	1	670517	Seal
6	1	670774	Baseplate
7	2	670786	Tube Assembly
8	4	662187	Fitting 8-6
9	1	660385	Fitting 8-8
10	1	601250	Fitting 8-8
11	8	661742	Capscrew, 1/2 NC x 1.25 GR5
12	8	6290	Lockwasher
● 13	1	670558	Drive Group - R.H.
● 14	1	670562	Drive Group - L.H.
15	16	637582	Capscrew, 3/4 NC x 2.25 GR5
16	16	6294	Lockwasher
17	2	631427	Plug
18	1	6605	Plug
◆ 19	16	672832	Capscrew, 3/4 NC x 2.00
20	1	7401	Grease Fitting
		672483	Bearing Service Kit

■ Includes items 3 and 5.

● See page 2B for replacement parts breakdown.

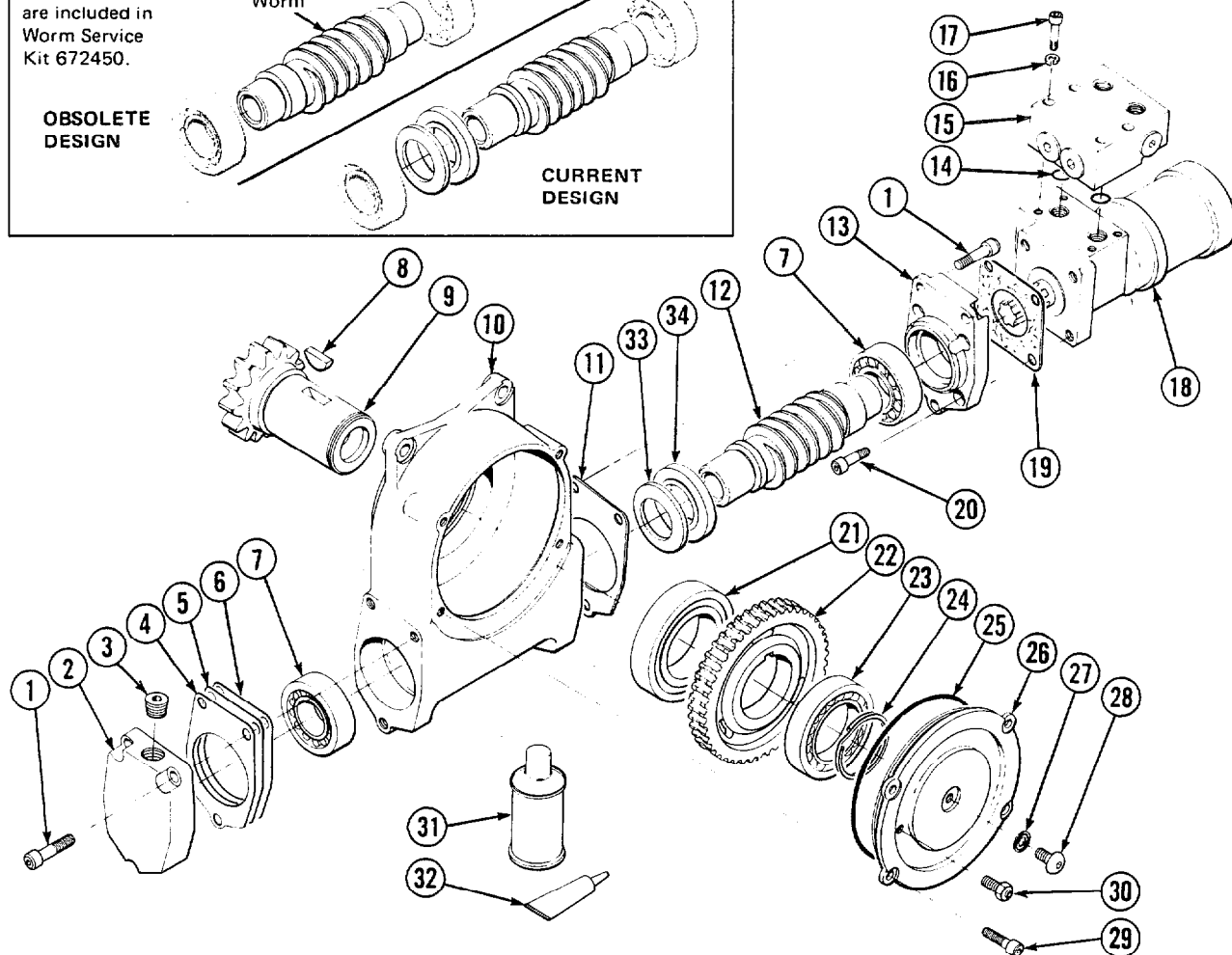
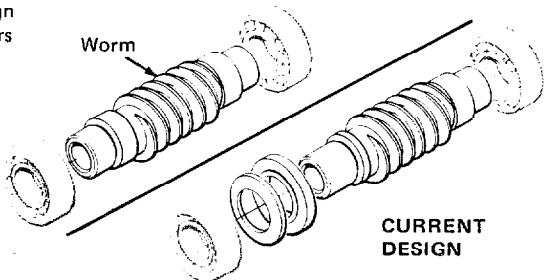
◆ Included in Bearing Service Kit 672483.

Drive Group

The obsolete design worm is not available. It must be replaced with the current design worm and end washers shown below.

The current design worm and washers are included in Worm Service Kit 672450.

OBSOLETE DESIGN



40/55D

REF. NO.	QTY.	PART NO.	DESCRIPTION	REF. NO.	QTY.	PART NO.	DESCRIPTION
		670555	Drive Group	19	1	670575	Gasket
1	6	607071	Capscrew, 7/16 NC x 1 .0 GR8	20	4	4468	Capscrew, 3/8 NC x .75
2	1	670572	Cover	21	1	670580	Bearing
3	1	6609	Plug	22	1	670577	Worm Gear
★ 4	●	670574	Shim — .010" (Brown)	23	1	670581	Bearing
★ 5	●	671757	Shim — .015" (Pink)	24	1	7214	Snap Ring
★ 6	●	671758	Shim — .020" (Yellow)	25	1	643423	O-Ring
† 7	2	670579	Bearing	26	1	670567	Cover
8	1	670582	Key	27	1	670569	Seal
9	1	670556	Pinion	28	1	4874	Capscrew, 3/8 NC x .50 GR8
10	1	670565	Housing	29	4	671535	Capscrew, 5/16 NC x .75
11	1	670574	Shim — .010" (Brown)	30	1	644010	Relief Fitting
12	1	672447	Worm	31	1	656300	Gear Box Lub — 48 oz.
13	1	670570	Adapter	32	1	668184	Sealant
14	2	2705	Seal	33	1	672449	Washer Spring
◆ 15	1	670549	Valve Assembly	34	1	672448	Washer
16	4	6444	Lockwasher			†670578	Shim Service Kit
17	4	607059	Capscrew, 5/16 NC x 1.75 GR8			671583	Bearing Service Kit
‡ 18	1	670557	Drive Motor			671584	Bearing Service Kit

● Quantity as required.

◆ Included in Bearing Service Kit 671583.

† Included in Bearing Service Kit 671584.

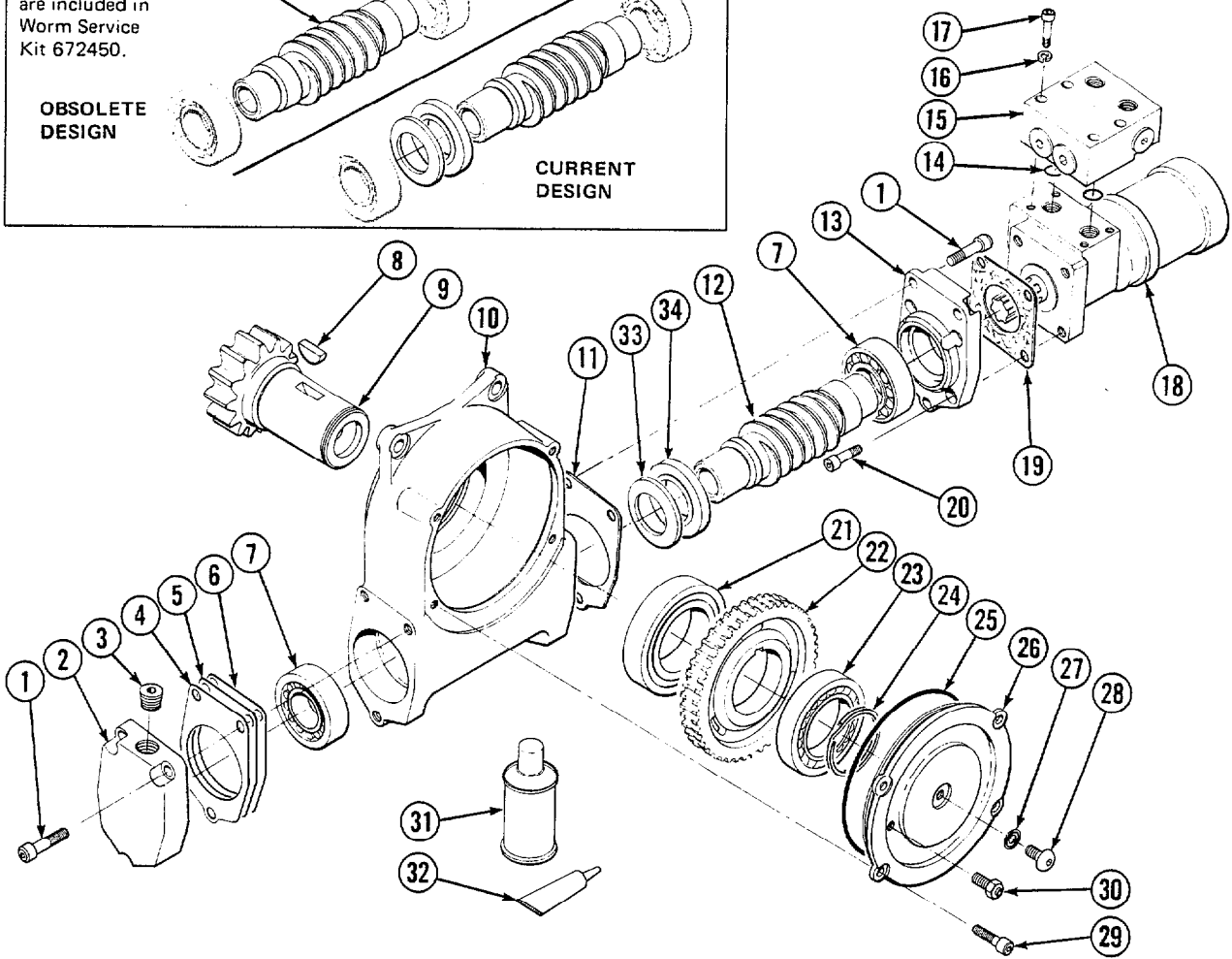
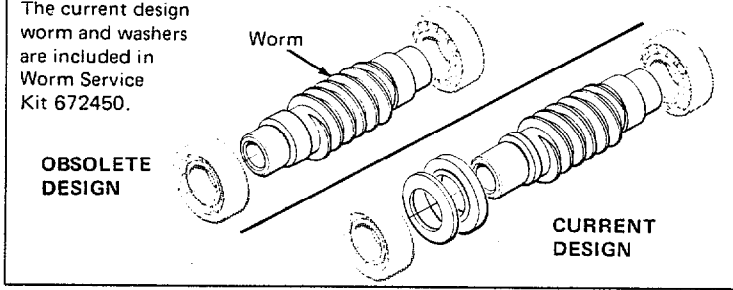
★ Included in Shim Service Kit 670578.

◆ See page 3 for replacement parts breakdown.

‡ See page 2C for replacement parts breakdown.

Drive Group

The obsolete design worm is not available. It must be replaced with the current design worm and end washers shown below.
 The current design worm and washers are included in Worm Service Kit 672450.



100D							
REF. NO.	QTY.	PART NO.	DESCRIPTION	REF. NO.	QTY.	PART NO.	DESCRIPTION
		670505	Drive Group	19	1	670575	Gasket
1	6	607071	Capscrew, 7/16 NC x 1.0 GR8	20	4	4468	Capscrew, 3/8 NC x .75
2	1	670572	Cover	21	1	670580	Bearing
3	1	6609	Plug	22	1	670577	Worm Gear
★ 4	•	670574	Shim - .010" (Brown)	23	1	670581	Bearing
★ 5	•	671757	Shim - .015" (Pink)	24	1	7214	Snap Ring
★ 6	•	671758	Shim - .020" (Yellow)	25	1	643423	O-Ring
† 7	2	670579	Bearing	26	1	670567	Cover
8	1	670582	Key	27	1	670569	Seal
9	1	670506	Pinion	28	1	4874	Capscrew, 3/8 NC x .50 GR8
10	1	670565	Housing	29	4	671535	Capscrew, 5/16 NC x .75
11	1	670574	Shim - .010" (Brown)	30	1	644010	Relief Fitting
12	1	672447	Worm	31	1	656300	Gear Box Lube - 48 oz.
13	1	670570	Adapter	32	1	668184	Sealant
14	2	2705	Seal	33	1	672449	Washer Spring
◆ 15	1	670549	Valve Assembly	34	1	672448	Washer
16	4	6444	Lockwasher			† 670578	Shim Service Kit
17	4	607059	Capscrew, 5/16 NC x 1.75 GR8			671583	Bearing Service Kit
‡ 18	1	670548	Drive Motor			671584	Bearing Service Kit

- Quantity as required.
- Included in Bearing Service Kit 671583.
- † Included in Bearing Service Kit 671584.
- ★ Included in Shim Service Kit 670578.
- ◆ See page 3 for replacement parts breakdown.
- ‡ See page 2C for replacement parts breakdown.

Drive Group

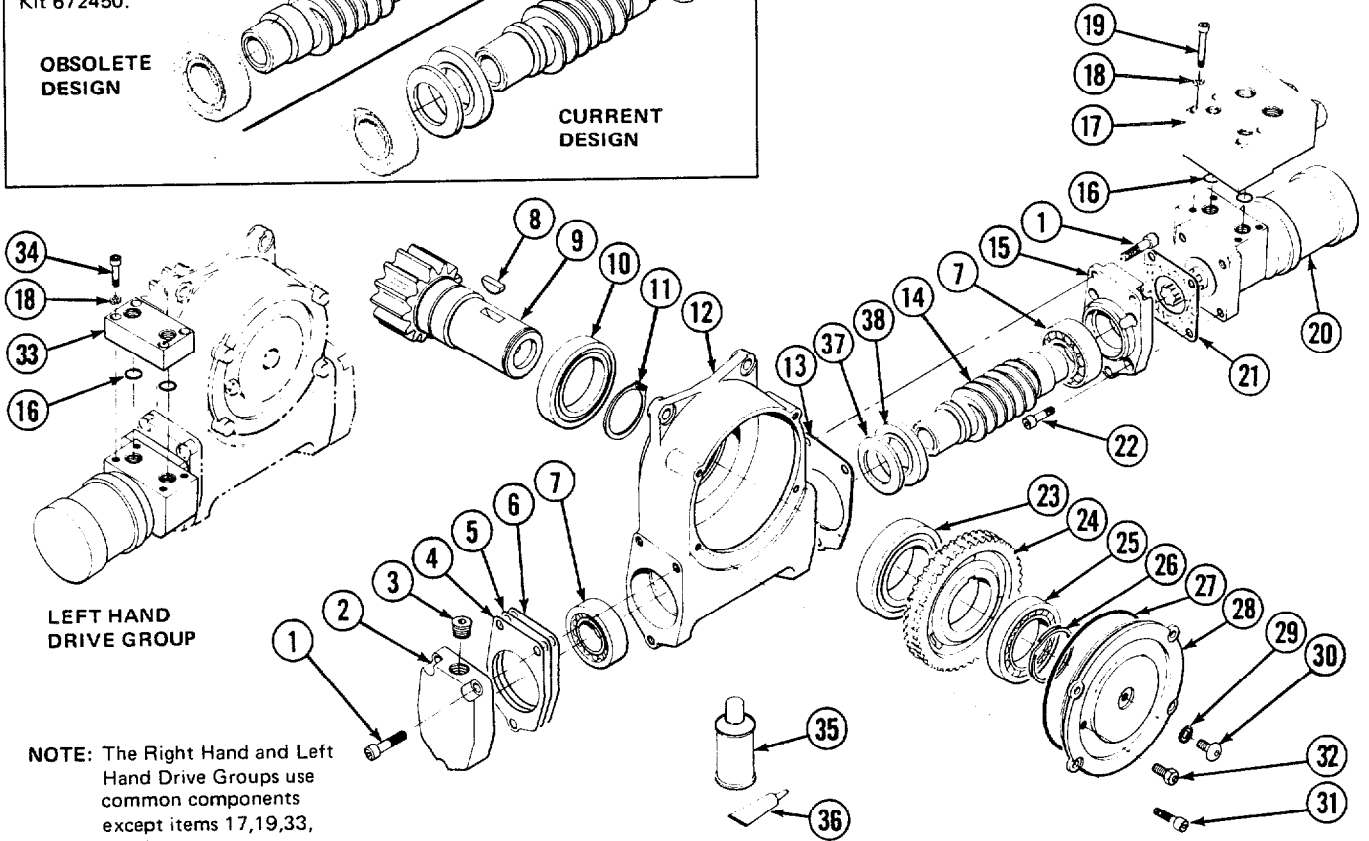
The obsolete design worm is not available. It must be replaced with the current design worm and end washers shown below.

The current design worm and washers are included in Worm Service Kit 672450.

OBSOLETE DESIGN

CURRENT DESIGN

Worm



NOTE: The Right Hand and Left Hand Drive Groups use common components except items 17, 19, 33, and 34.

125D

REF. NO.	QTY.	PART NO.	DESCRIPTION	REF. NO.	QTY.	PART NO.	DESCRIPTION
		670558	Drive Group—R.H.	‡ 20	1	670548	Drive Motor
		670562	Drive Group—L.H.	21	1	670575	Gasket
1	6	607071	Capscrew, 7/16 NC x 1.0 GR8	22	4	4468	Capscrew, 3/8 NC x .75
2	1	670572	Cover	■ 23	1	670580	Bearing
3	1	6609	Plug	24	1	675609	Worm Gear
★ 4	•	670574	Shim — .010" (Brown)	25	1	670581	Bearing
★ 5	•	671757	Shim — .015" (Pink)	26	1	7214	Snap Ring
★ 6	•	671758	Shim — .020" (Yellow)	27	1	643423	O-Ring
† 7	2	670579	Bearing	28	1	670567	Cover
8	1	670582	Key	29	1	670569	Seal
9	1	670559	Pinion	30	1	4874	Capscrew, 3/8 NC x .50 GR8
10	1	670560	Bearing	31	4	671535	Capscrew, 5/16 NC x .75
11	1	3160	Snap Ring	32	1	644010	Relief
12	1	670565	Housing	33	1	670563	Manifold—L.H. Drive only
13	1	670574	Shim — .010" (Brown)	34	4	607054	Capscrew, 5/16 NC x .75 GR8
14	1	675608	Worm	35	1	656300	Gear Box Lube — 48 oz.
15	1	670570	Adapter	■ 36	1	668184	Sealant
16	2	2705	Seal	37	1	672449	Washer Spring
◆ 17	1	670561	Valve Assembly—R.H. only	38	1	672448	Washer
18	4	6444	Lockwasher			† 670578	Shim Service Kit
19	4	607060	Capscrew, 5/16 NC x 2.00 GR8			671583	Bearing Service kit
						671584	Bearing Service Kit

• Quantity as required.

■ Included in Bearing Service Kit 671583.

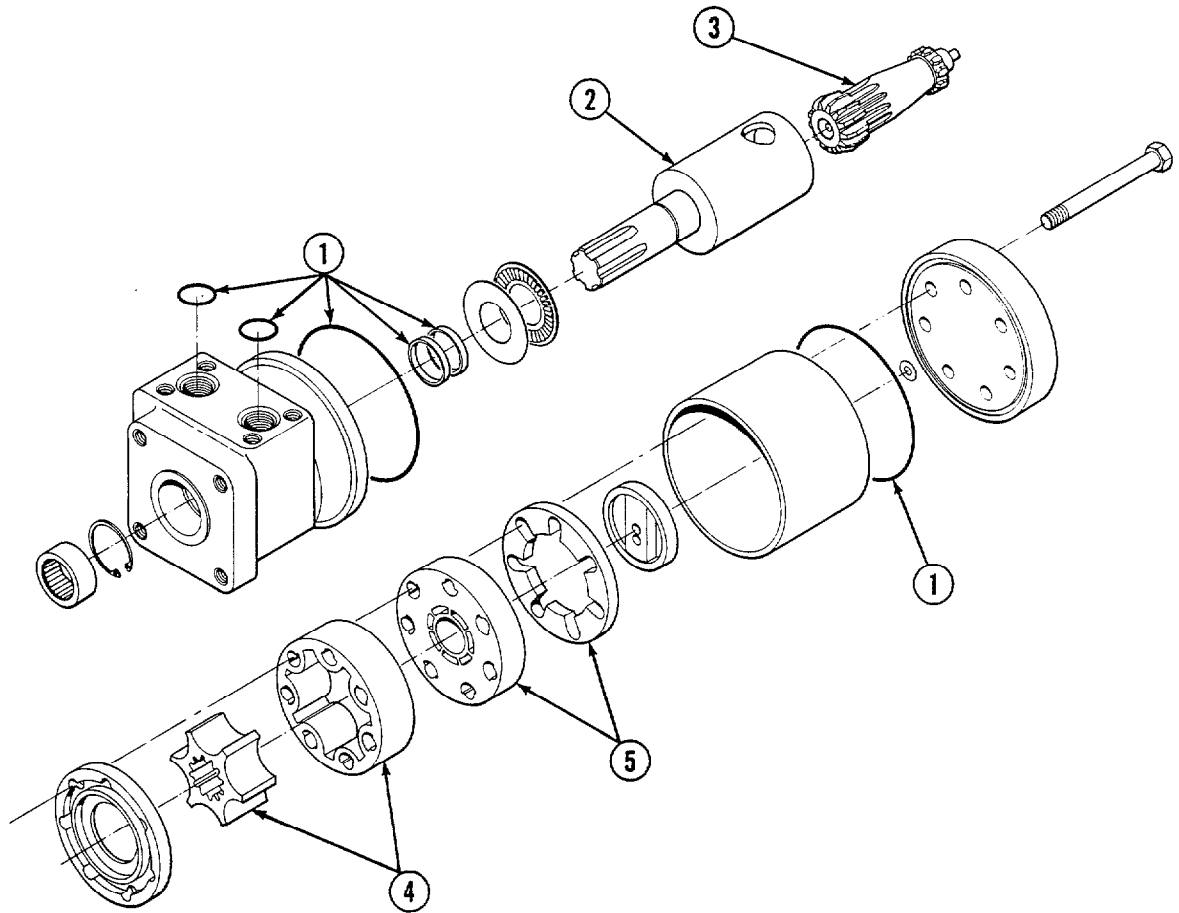
† Included in Bearing Service Kit 671584.

★ Included in Shim Service Kit 670578.

◆ See page 3 for replacement parts breakdown.

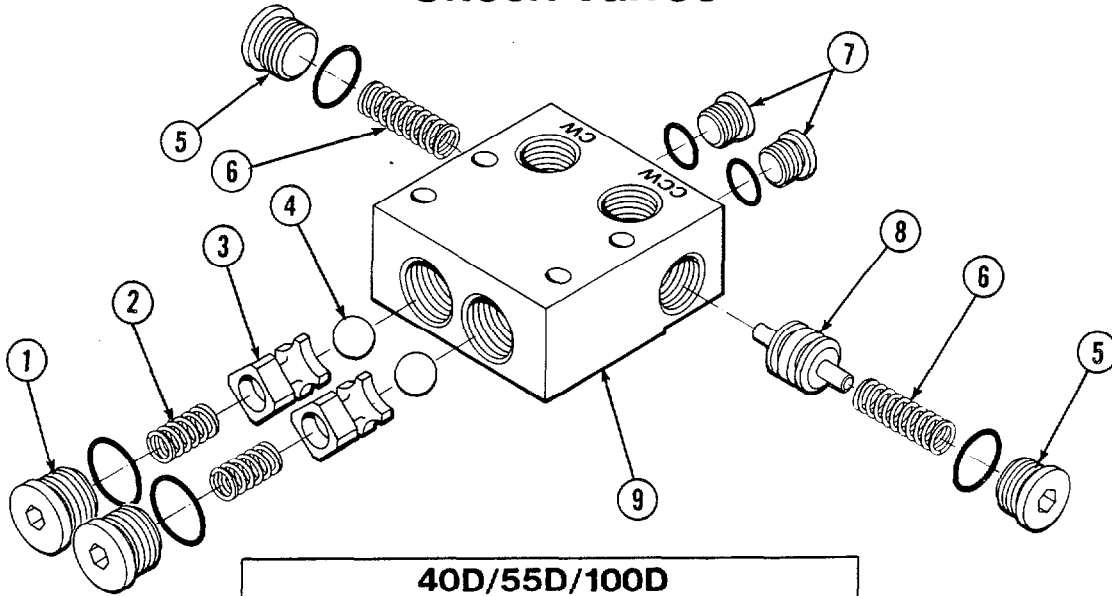
‡ See page 2C for replacement parts breakdown.

Drive Motor

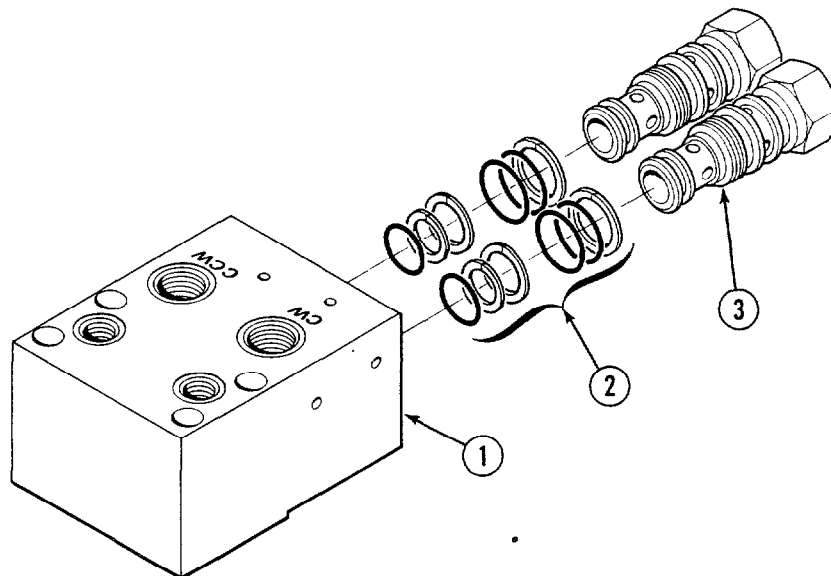


REF. NO.	QTY.	40D/55D PART NO.	100D PART NO.	125D PART NO.	DESCRIPTION
		670548	670557	670548	Drive Motor
1	1	671426	671426	671426	Seal Kit
2	1	671430	671430	671430	Coupling Shaft
3	1	671428	671433	671428	Drive Link
4	1	671427	671432	671427	Rotor Set
5	1	671429	671429	671429	Commutator Set

Check Valves

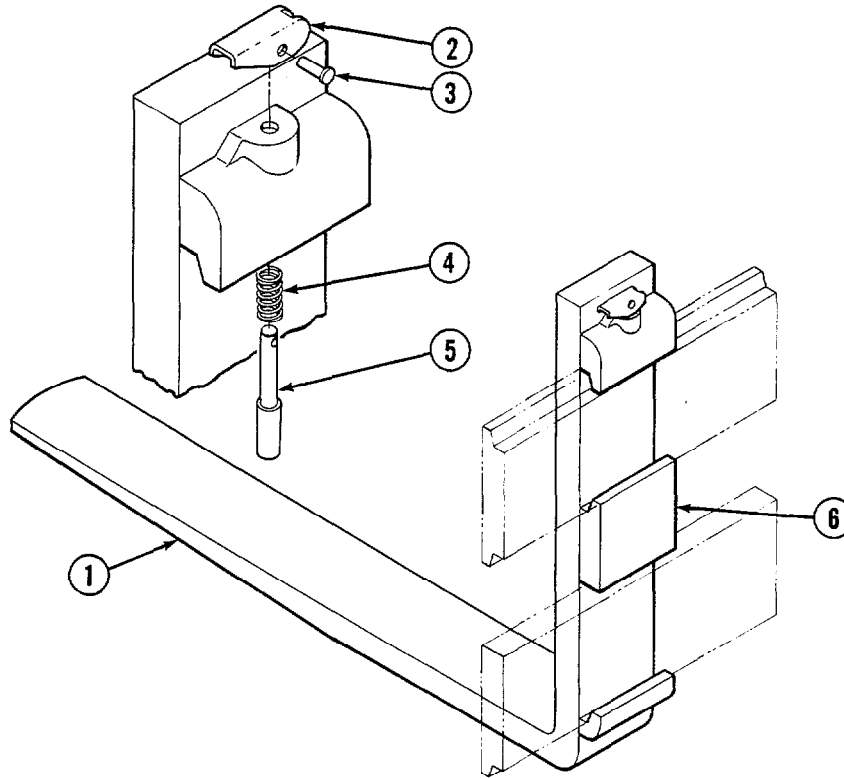


40D/55D/100D			
REF. NO.	QTY.	PART NO.	DESCRIPTION
		670549	Check Valve Assembly
1	2	609453	Plug
2	2	670552	Spring
3	2	670551	Guide
4	2	7020	Ball
5	2	602580	Plug
6	2	670554	Spring
7	2	604510	Plug
8	1	670553	Spool
9	1	670550	Body



125D			
REF. NO.	QTY.	PART NO.	DESCRIPTION
		670561	Check Valve Assembly
1	1	670583	Body
2	2	656223	Seal Kit
3	2	665097	Check Valve

Adjustable Forks



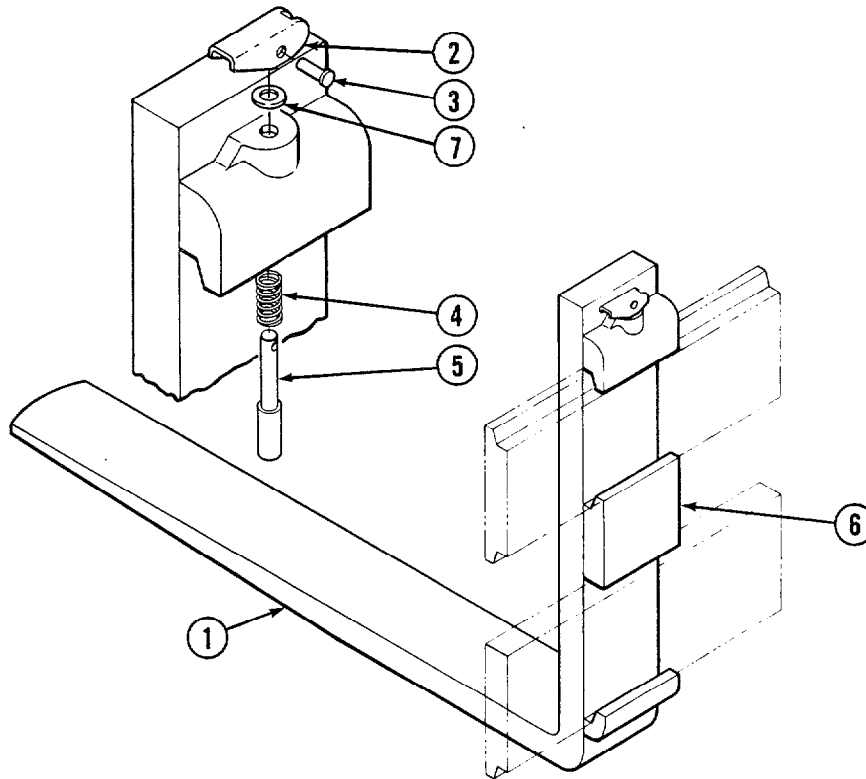
40D						
REF. NO.	QTY.	30" PART NO.	36" PART NO.	42" PART NO.	48" PART NO.	DESCRIPTION
■ 1	1	633042	633043	633044	633045	Fork Assembly
2	1	645602	645603	645604	645605	Fork
3	1	622897	622897	622897	622897	Handle
4	1	8007	8007	8007	8007	Rivet
5	1	622908	622908	622908	622908	Spring
6	1	622907	622907	622907	622907	Pin
● 6	1	608585	608585	608585	608585	Hook

- Includes item 6 welded in place.
- Required when using customer supplied forks.

55D						
REF. NO.	QTY.	36" PART NO.	42" PART NO.	48" PART NO.	54" PART NO.	DESCRIPTION
■ 1	1	615329	615330	615331	615332	Fork Assembly
2	1	645606	645607	645608	645609	Fork
3	1	622897	622897	622897	622897	Handle
4	1	8007	8007	8007	8007	Rivet
5	1	622908	622908	622908	622908	Spring
6	1	622907	622907	622907	622907	Pin
● 6	1	606508	606508	606508	606508	Hook

- Includes item 6 welded in place.
- Required when using customer supplied forks.

Adjustable Forks



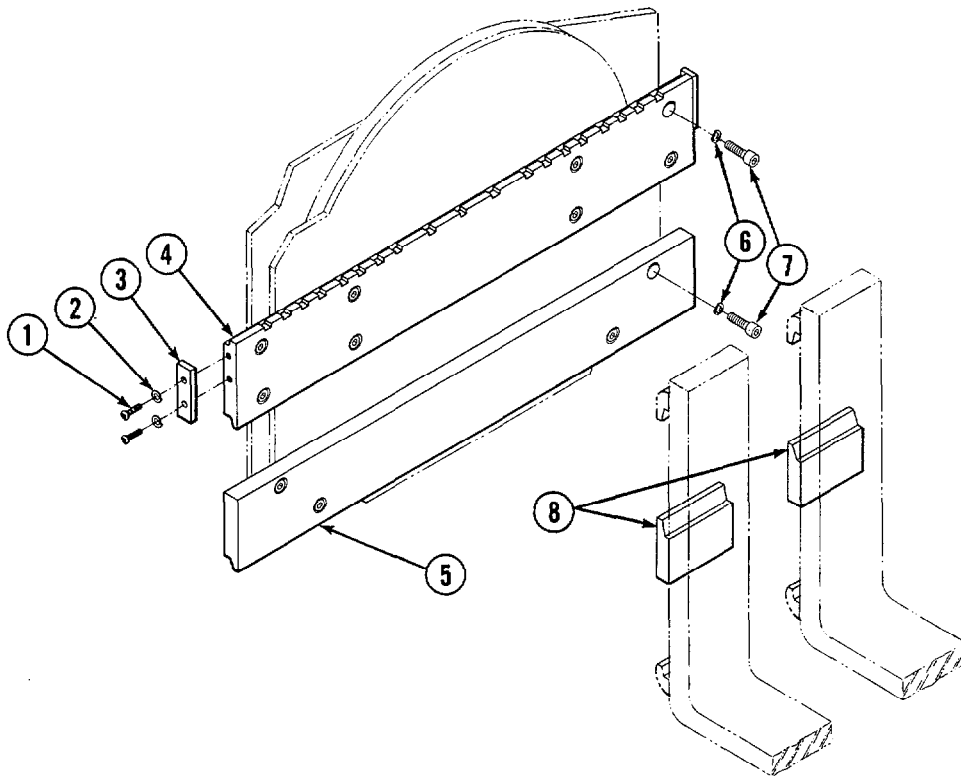
100D						
REF. NO.	QTY.	42" PART NO.	48" PART NO.	54" PART NO.	60" PART NO.	DESCRIPTION
		672281	672282	672283	672284	Fork Assembly
■ 1	1	645614	645615	645616	645617	Fork
2	1	622897	622897	622897	622897	Handle
3	1	8007	8007	8007	8007	Rivet
4	1	622898	622898	622898	622898	Spring
5	1	622899	622899	622899	622899	Pin
● 6	1	606993	606993	606993	622993	Hook

- Includes item 6 welded in place.
- Required when using customer supplied forks.

125D					
REF. NO.	QTY.	48" PART NO.	60" PART NO.	72" PART NO.	DESCRIPTION
		633708	633709	633710	Fork Assembly
■ 1	1	646988	646989	646990	Fork
2	1	622897	622897	622897	Handle
3	1	8007	8007	8007	Rivet
4	1	633668	633668	633668	Spring
5	1	633670	633670	633670	Pin
● 6	1	633671	633671	633671	Hook
7	1	633669	633669	633669	Washer

- Includes item 6 welded in place.
- Required when using customer supplied forks.

Fork Bar Group



REF. NO.	QTY.	40D	55D		DESCRIPTION
		32" PART NO.	37" PART NO.	45" PART NO.	
		670534	625493	625494	Fork Bar Group
1	4	4880	4880	4880	Cap screw, 1/2 NC x 1.0 GR8
3	2	624394	624394	624394	Keeper
4	1	625457	625495	625497	Upper Bar
5	1	679535	625496	625498	Lower Bar
6	12	6447	6448	6448	Lockwasher
7	12	607084	---	---	Cap screw, 5/8 NC x 1.25 GR8
	12	---	607102	607102	Cap screw, 3/4 NC x 1.25 GR8
8	2	608585	608508	608508	Hook

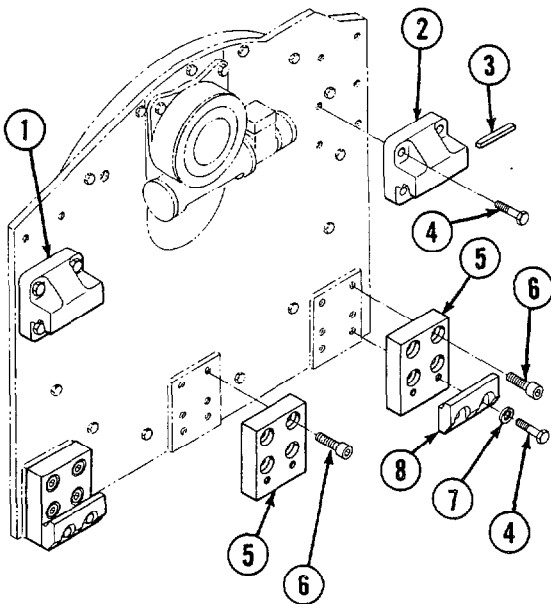
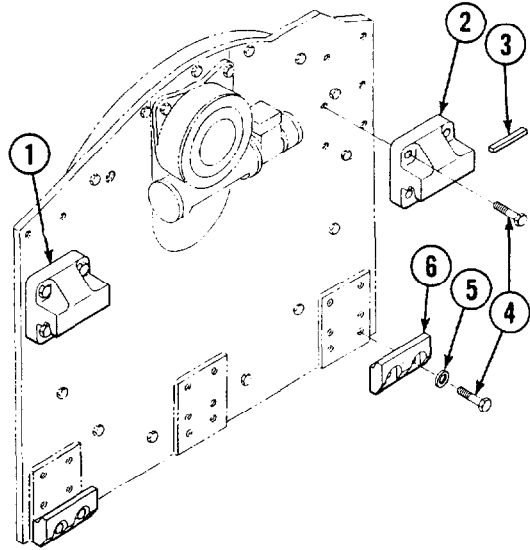
■ Required when using customer supplied forks.

REF. NO.	QTY.	100D		125D			DESCRIPTION
		42" PART NO.	60" PART NO.	49" PART NO.	61" PART NO.	73" PART NO.	
		625523	625524	622149	622150	622151	Fork Bar Group
1	4	4880	4880	4880	4880	4880	Cap screw, 1/2 NC x 1.0 GR8
2	4	---	---	6290	6290	6290	Lockwasher
3	2	606988	606988	622148	622148	622148	Keeper
4	1	625525	625527	622611	622612	622613	Upper Bar
5	1	625526	625528	622614	622615	622616	Lower Bar
6	18	6448	6448	---	---	---	Lockwasher
	24	---	---	6448	6448	6448	Lockwasher
7	18	607103	607103	---	---	---	Cap screw, 3/4 NC x 1.50 GR8
	24	---	---	607106	607106	607106	Cap screw, 3/4 NC x 1.50 GR8
8	2	606993	606993	633761	633761	633761	Hook

■ Required when using customer supplied forks.

Mounting Groups

40/55D Class II, 4°			
REF. NO.	QTY.	PART NO.	DESCRIPTION
		670519	Mounting Group
1	1	670523	Upper Hook - L.H.
2	1	670524	Upper Hook - R.H.
3	1	669344	Stop Kit
4	12	667765	Capscrew, 5/8 NC x 1.5 GR5
5	4	667225	Washer
6	2	667370	Lower Hook

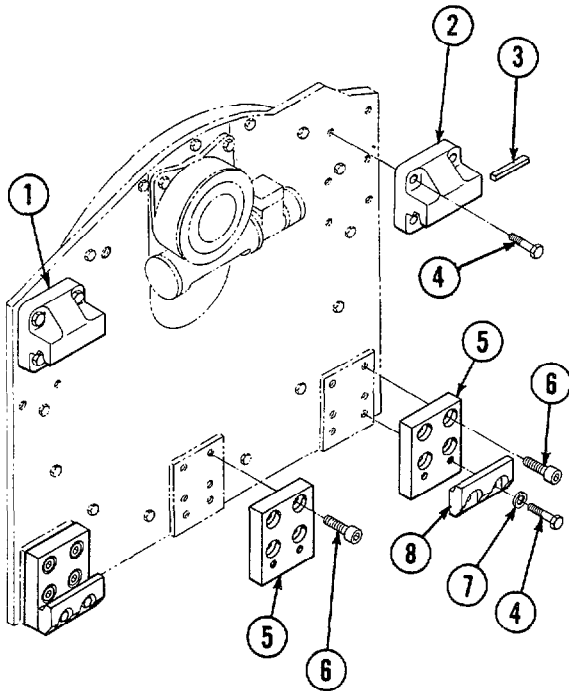
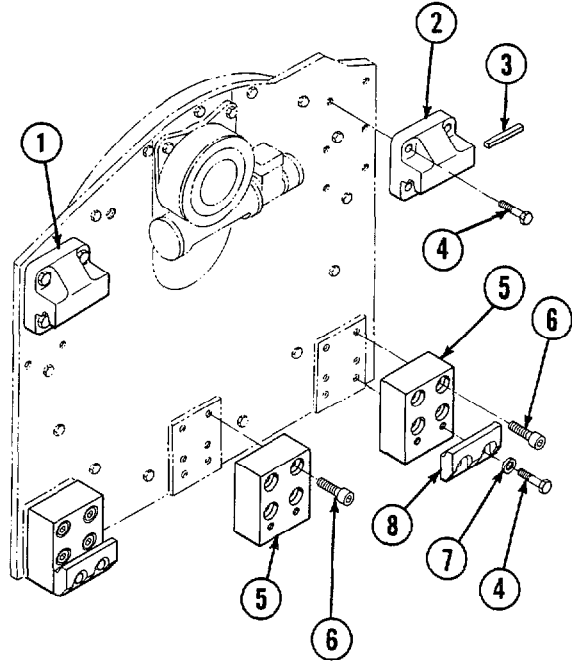


40/55D Class II, 0°			
REF. NO.	QTY.	PART NO.	DESCRIPTION
		670520	Mounting Group
1	1	670523	Upper Hook - L.H.
2	1	670524	Upper Hook - R.H.
3	1	669344	Stop Kit
4	12	667765	Capscrew, 5/8 NC x 1.5 GR5
5	3	670526	Adapter Plate
6	12	622467	Capscrew, 5/8 NC x 1.25
7	4	667225	Washer
8	2	667370	Lower Hook



Mounting Groups

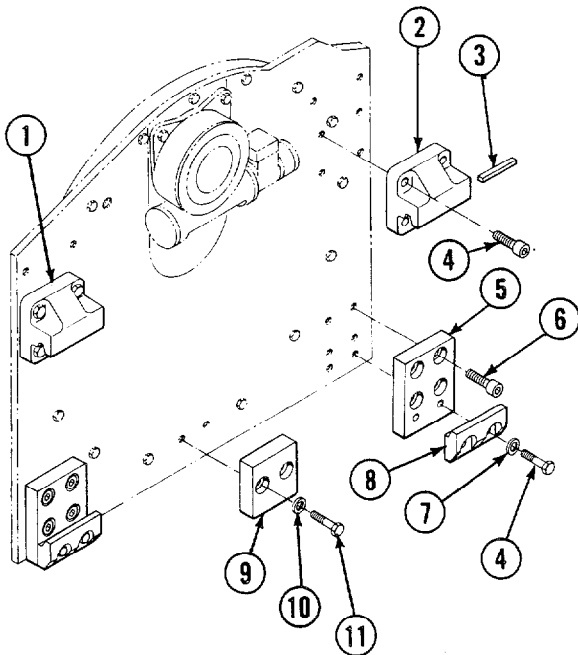
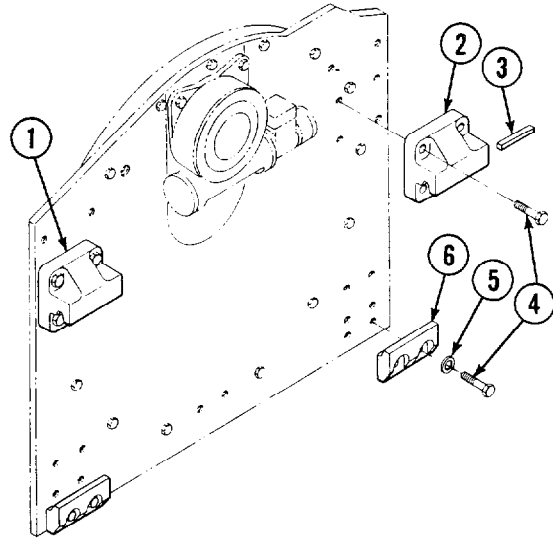
55D Class III, 4°			
REF. NO.	QTY.	PART NO.	DESCRIPTION
		670521	Mounting Group
1	1	670527	Upper Hook - L.H.
2	1	670528	Upper Hook - R.H.
3	1	669344	Stop Kit
4	12	667369	Capscrew, 5/8 NC x 1.25 GR5
5	3	670530	Adapter Plate
6	12	622467	Capscrew, 5/8 NC x 1.25
7	4	667225	Washer
8	2	667371	Lower Hook



55D Class III, 0°			
REF. NO.	QTY.	PART NO.	DESCRIPTION
		670522	Mounting Group
1	1	670527	Upper Hook - L.H.
2	1	670528	Upper Hook - R.H.
3	1	669344	Stop Kit
4	12	667369	Capscrew, 5/8 NC x 1.25 GR5
5	3	670532	Adapter Plate
6	12	624337	Capscrew, 5/8 NC x 2.25
7	4	667225	Washer
8	2	667371	Lower Hook

Mounting Groups

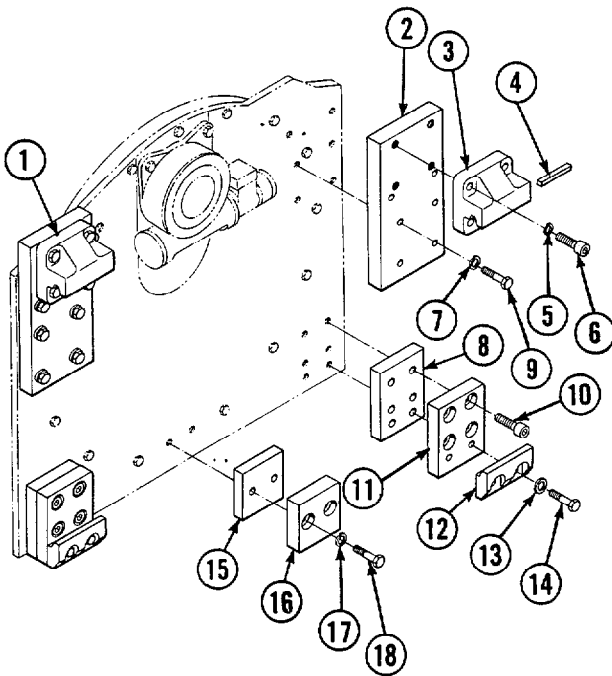
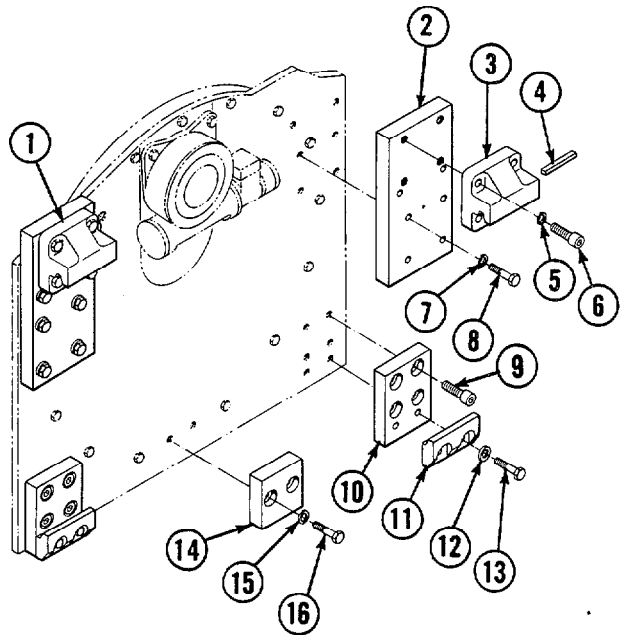
100D Class III, 4°			
REF. NO.	QTY.	PART NO.	DESCRIPTION
		670683	Mounting Group
1	1	670684	Upper Hook - L.H.
2	1	670685	Upper Hook - R.H.
3	1	670704	Stop Kit
4	12	667369	Capscrew, 5/8 NC x 1.25 GR5
5	4	667225	Washer
6	2	667371	Lower Hook



100D Class III, 0°			
REF. NO.	QTY.	PART NO.	DESCRIPTION
		670686	Mounting Group
1	1	670684	Upper Hook - L.H.
2	1	670685	Upper Hook - R.H.
3	1	670704	Stop Kit
4	12	667369	Capscrew, 5/8 NC x 1.25 GR5
5	2	670668	Adapter Plate
6	8	622467	Capscrew, 5/8 NC x 1.25
7	4	667225	Washer
8	2	667371	Lower Hook
9	1	670687	Bumper
10	2	6290	Lockwasher
11	2	3655	Capscrew, 1/2 NC x 1.5

Mounting Groups

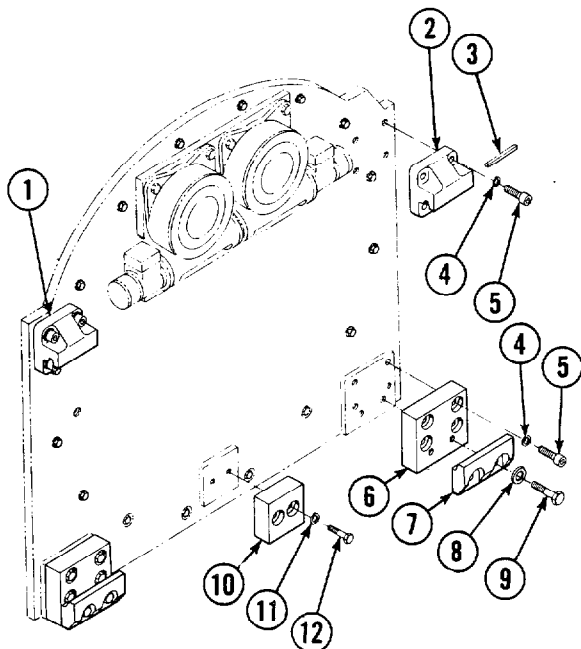
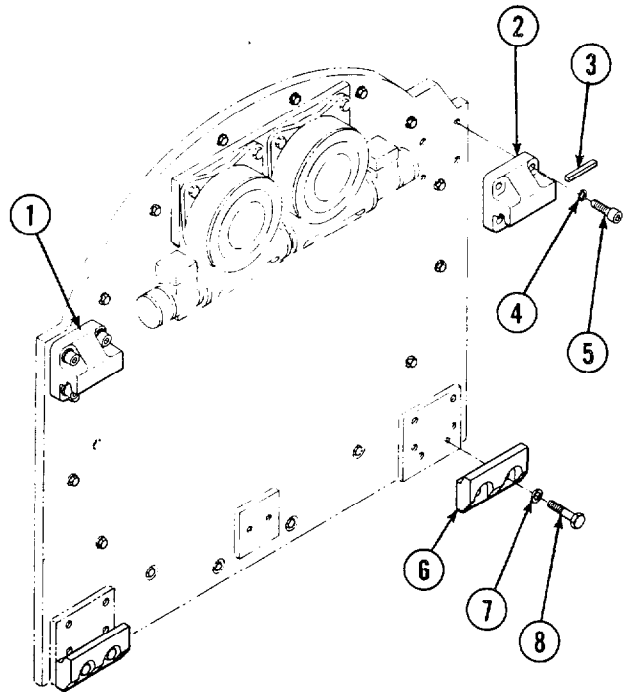
100D Class IV, 4°			
REF. NO.	QTY.	PART NO.	DESCRIPTION
		670689	Mounting Group
1	1	670690	Upper Hook - L.H.
2	2	670697	Adapter Plate
3	1	670691	Upper Hook - R.H.
4	1	670704	Stop Kit
5	8	6448	Lockwasher
6	8	607104	Capscrew, 3/4 NC x 1.75 GR8
7	12	6292	Lockwasher
8	12	638601	Capscrew, 5/8 NC x 2.0 GR5
9	8	622467	Capscrew, 5/8 NC x 1.25
10	2	670696	Adapter Plate
11	2	670694	Lower Hook
12	4	670692	Washer
13	4	670693	Capscrew, 3/4 NC x 1.75 GR5
14	1	670695	Bumper
15	2	6290	Lockwasher
16	2	3656	Capscrew, 1/2 NC x 1.75



100D Class IV, 0°			
REF. NO.	QTY.	PART NO.	DESCRIPTION
		670707	Mounting Group
1	1	670690	Upper Hook - L.H.
2	2	670697	Adapter Plate
3	1	670691	Upper Hook - R.H.
4	1	670704	Stop Kit
5	8	6448	Lockwasher
6	8	607104	Capscrew, 3/4 NC x 1.75 GR8
7	12	6292	Lockwasher
8	2	670700	Spacer
9	12	638601	Capscrew, 5/8 NC x 2.0 GR5
10	8	670698	Capscrew, 5/8 NC x 3.5
11	2	670696	Adapter Plate
12	2	670694	Lower Hook
13	4	670692	Washer
14	4	670693	Capscrew, 3/4 NC x 1.75 GR5
15	1	670699	Spacer
16	1	670695	Bumper
17	2	6290	Lockwasher
18	2	3664	Capscrew, 1/2 NC x 3.75

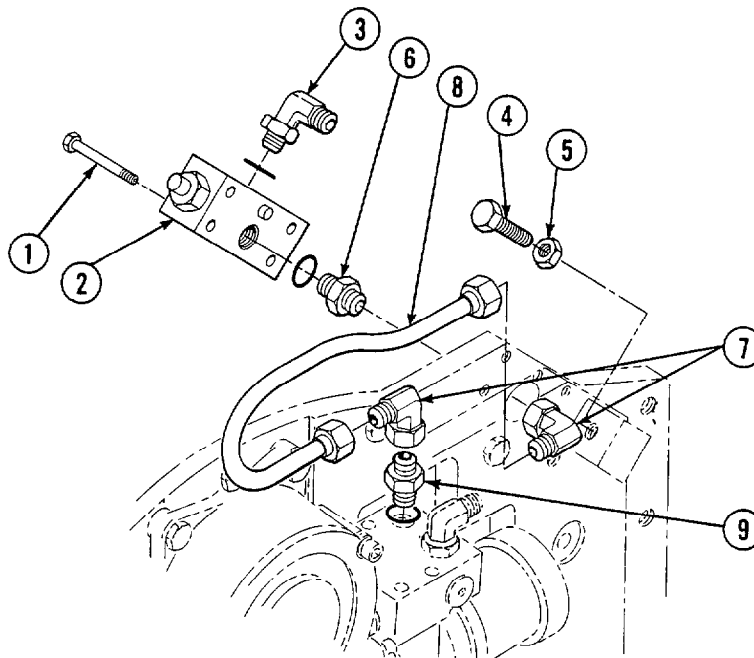
Mounting Groups

125D Class IV, 4°			
REF. NO.	QTY.	PART NO.	DESCRIPTION
		670787	Mounting Group
1	1	670690	Upper Hook - L.H.
2	1	670691	Upper Hook - R.H.
3	1	670704	Stop Kit
4	8	6448	Lockwasher
5	8	607104	Capscrew, 3/4 NC x 1.75 GR8
6	2	670694	Lower Hook
7	4	670692	Washer
8	4	670693	Capscrew, 3/4 NC x 1.75 GR5



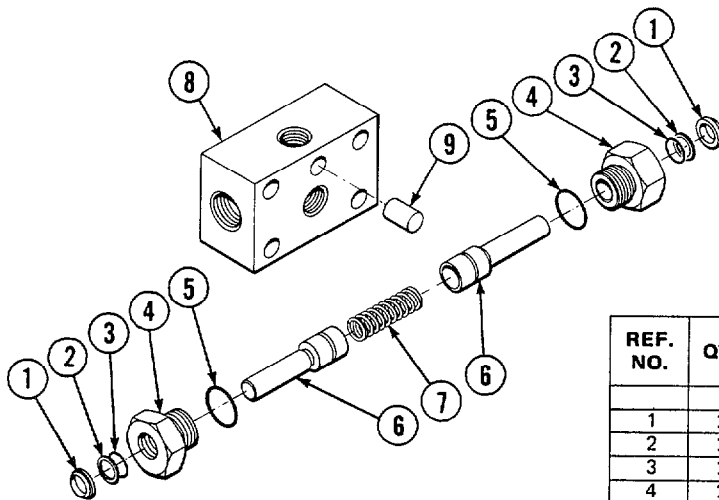
125D Class IV, 0°			
REF. NO.	QTY.	PART NO.	DESCRIPTION
		670788	Mounting Group
1	1	670690	Upper Hook - L.H.
2	1	670691	Upper Hook - R.H.
3	1	670704	Stop Kit
4	14	6448	Lockwasher
5	14	607104	Capscrew, 3/4 NC x 1.75 GR8
6	1	672700	Adapter Plate - R.H.
7	2	670694	Lower Hook
8	4	670692	Washer
9	4	670693	Capscrew, 3/4 NC x 1.75 GR5
10	1	670695	Bumper
11	2	6290	Lockwasher
12	2	3657	Capscrew, 1/2 NC x 2.0
13	1	672699	Adapter Plate - L.H.

180° Stop Group



REF. NO.	QTY.	40D/55D PART NO.	100D PART NO.	125D PART NO.	DESCRIPTION
		670545	670703	670706	Stop Group
1	4	670544	670544	670544	Capscrew, 3/8 NC x 1.75
2	1	670537	670537	670537	Valve Assembly
3	1	651303	651303	651303	Fitting
4	2	3735	3735	3735	Capscrew, 3/4 NC x 1.75
5	2	5933	5933	5933	Nut, 3/4 NC
6	1	662187	662187	662187	Fitting
7	2	605761	605761	605761	Fitting
8	1	670543	670702	670803	Tube Assembly
9	1	601377	601377	601377	Fitting

Stop Valve



REF. NO.	QTY.	PART NO.	DESCRIPTION
		670537	Stop Valve Assembly
1	2	670541	Wiper Ring
2	2	615006	Back-Up Ring
3	2	2702	O-Ring
4	2	670540	Gland
5	2	2841	O-Ring
6	2	670539	Plunger
7	1	670542	Spring
8	1	670538	Body
9	1	611210	Pin

Recommended Spare Parts List

40D, 55D, 100D, 125D ROTATORS						
PART NUMBER			DESCRIPTION	ATTACHMENTS SERVICED		
40/55D	100D	125D		1-5	6-19	20-50
			DRIVE GROUP			
672447	672447	675608	Worm	0	1	2
670506	670556	670559	Pinion	0	1	2
670581	670581	670581	Bearing	0	1	1
7214	7214	7214	Snap Ring	2	2	4
643423	643423	643423	O-ring	1	2	2
670548	670557	670548	Drive Motor	0	1	1
671426	671426	671426	Drive Motor Seal Kit	1	1	2
668184	668184	668184	Sealant	1	2	2
—	—	670560	Bearing	0	1	2
671684	671584	671584	Bearing Service Kit	1	1	2
671583	671583	671583	Bearing Service Kit	1	2	2
656300	656300	656300	Gear Box Lube	1	2	2
			CHECK VALVE			
670549	670549	670561	Check Valve Assembly	0	1	1
—	—	665097	Check Valve	0	2	2
—	—	656223	Seal Kit	1	2	2
			STOP KIT			
669344	670704	670704	Stop Kit	1	2	2
			PAINT, CASCADE YELLOW			
668209	668209	668209	12 oz. Aerosol Can	1	1	1



NATIONAL
ASSOCIATION
OF SERVICE
MANAGERS



**Do you have questions
you need answered right
right now?**

Dial Directline
800-547-5266
(toll free)