



# Parts Manual

---

Model Single-Double Pallet Handler

Serial Number 50D-ES-135

---

**cascade**<sup>®</sup>  
**corporation**

**For Technical Assistance call:** 800-227-2233, Fax: 888-329-8207

**To Order Parts call:** 888-227-2233, Fax: 888-329-0234

**OR**

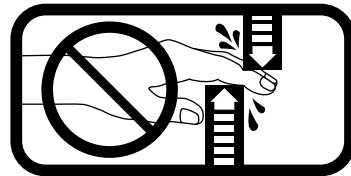
**Write:** Cascade Corporation, P.O. Box 20187, Portland, OR 97220

**Internet:** [www.cascorp.com](http://www.cascorp.com)

# Safety Decals

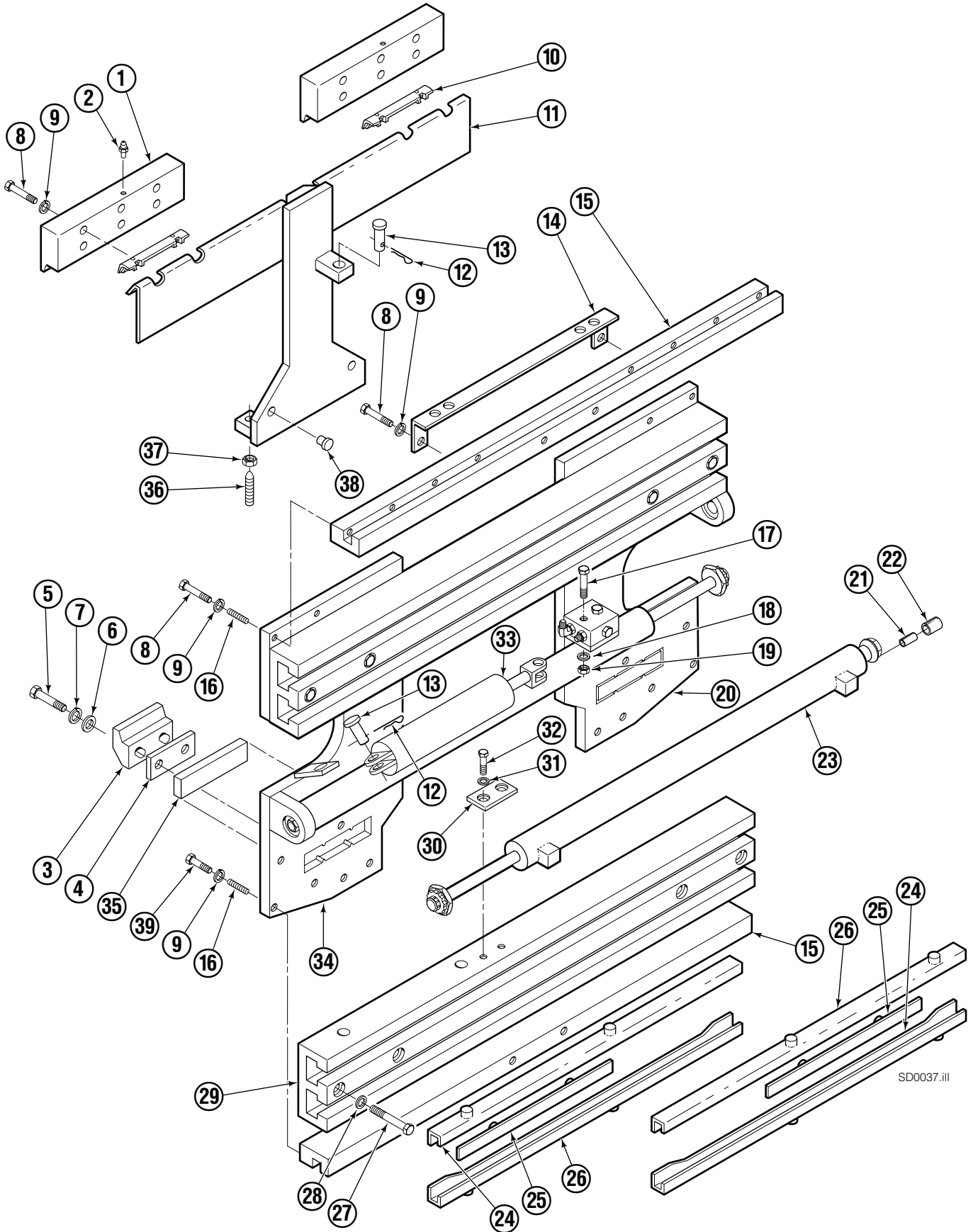


Part No. 679150  
(1 Place & 1 Optional)



Part No. 665595  
(2 Place & 2 Optional)

# Base Unit and Mounting ITA Class II



SD0037.iii

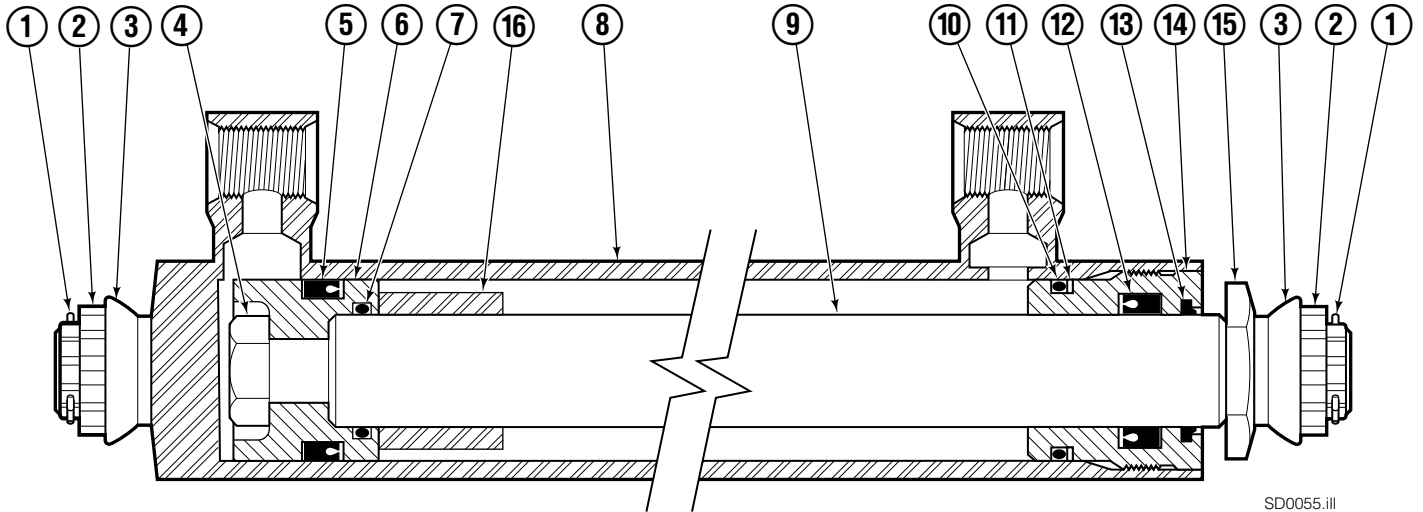
# Base Unit and Mounting ITA Class II

<b>50D</b>							
<b>REF</b>	<b>QTY</b>	<b>PART NO.</b>	<b>DESCRIPTION</b>	<b>REF</b>	<b>QTY</b>	<b>PART NO.</b>	<b>DESCRIPTION</b>
		211279	Base Unit Group	19	2	6097	Nut
		211283	Common Parts Group	20	1	204284	Mounting Plate-LH
		204275	Mounting Group	21	2	7962	Roll Pin
1	2	204211	Upper Hook	22	2	7861	Roll Pin
2	4	7403	Grease Fitting	■23	2	204200	Cylinder
3	2	675968	Lower Hook	24	4	208857	Bearing
4	2	204213	Spacer	25	4	208858	Bearing
5	4	667808	Capscrew, 5/8NCx2.0 GR8	26	4	667663	Bearing
6	4	667225	Washer	27	8	667909	Capscrew, 1/2NCx3.0
7	4	6292	Lockwasher	28	8	667910	Washer
8	20	643539	Capscrew, 1/2NCx1.75 GR8	29	2	211273	Frame
9	30	6290	Lockwasher, 1/2	30	2	211267	Stop
10	2	671165	Bearing	31	4	6288	Lockwasher, 3/8
11	1	204201	Anchor	32	4	629516	Capscrew, 3/8NCx.75 GR8
12	2	672726	Cotter Pin	◆33	1	675548	Sideshift Cylinder
13	2	678525	Pin	34	1	204254	Mounting Plate-RH
14	1	205227	Bracket	35	2	204212	Lower Bearing
15	2	205222	Channel	36	2	5027	Setscrew
16	4	205324	Spring	37	2	5932	Nut
17	2	3559	Capscrew, 1/4NCx2.0 GR5	38	2	200762	Thrust Plug
18	2	6201	Washer, 1/4	39	6	643538	Capscrew, 1/2NCx1.50 GR8

■ See Cylinder page for parts breakdown.

◆ See Sideshift Cylinder page for parts breakdown.

# Cylinder

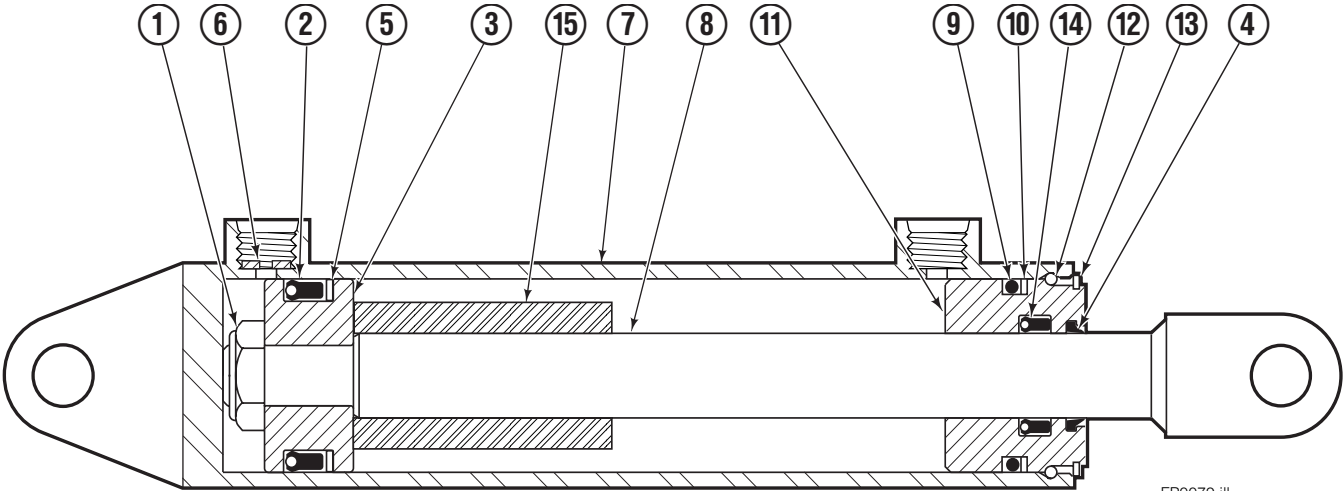


SD0055.iii

<b>50D</b>			
REF	QTY	PART NO.	DESCRIPTION
		204200	Cylinder Assembly
1	2	6510	Cotter Pin
2	2	667624	Retainer
3	2	667625	Nut
4	1	667623	Nut
■ 5	1	557598	Seal
6	1	559702	Piston
■ 7	1	2716	O-Ring
8	1	559662	Shell
9	1	416991	Rod
■ 10	1	2722	O-Ring
■ 11	1	615126	Back-up Ring
■ 12	1	662448	Seal
■ 13	1	636853	Wiper
14	1	413799	Retainer
15	1	667626	Washer
16	1	---	Spacer
		560729	Service Kit

■ Included in Service Kit 560729.

# Sideshift Cylinder

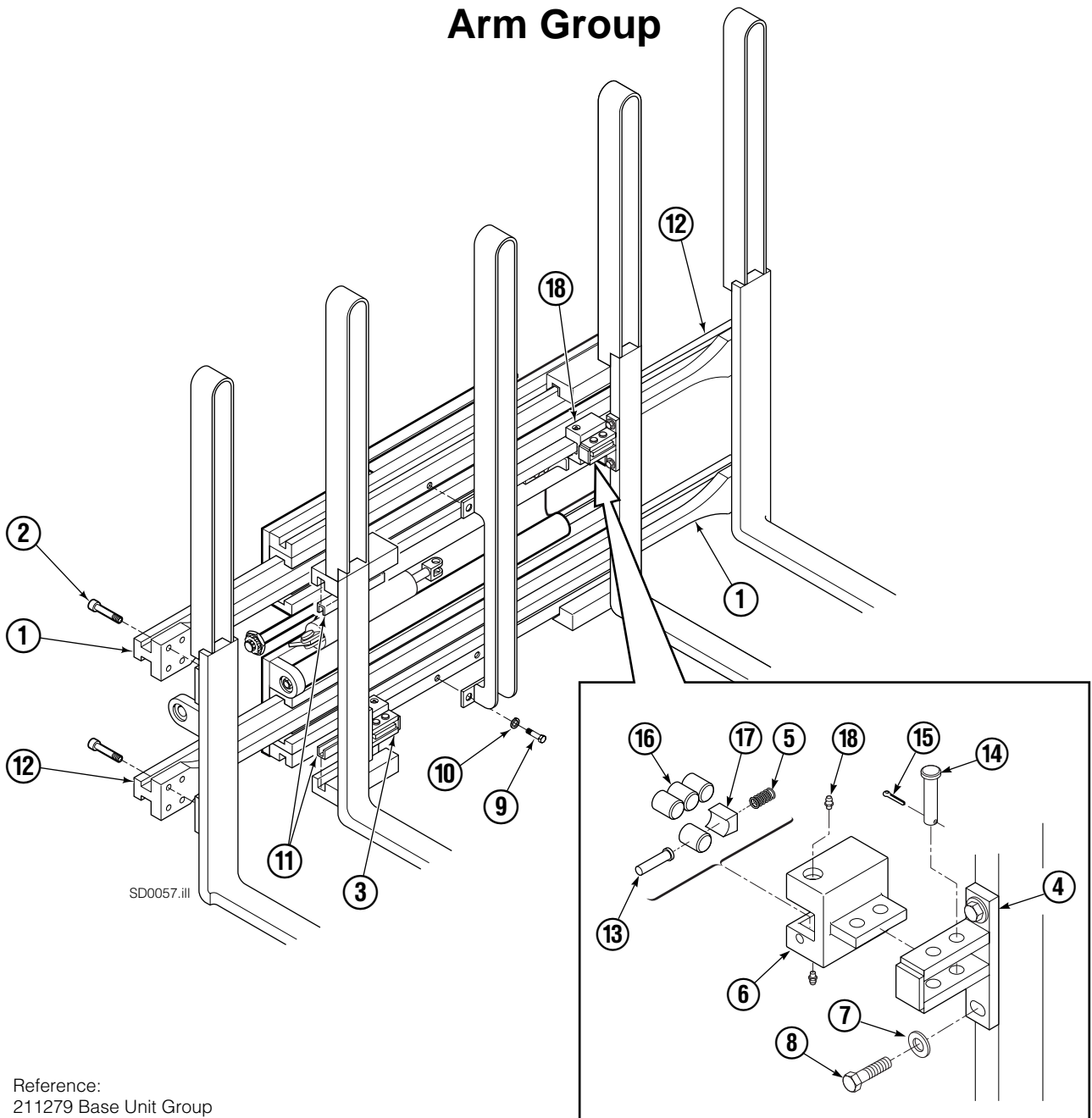


FP0079.iii

REF	QTY	PART NO.	DESCRIPTION
		675548	Cylinder Assembly
1	1	553857	Nut
■ 2	1	662452	Seal
3	1	553501	Piston
■ 4	1	636851	Wiper
■ 5	1	638247	Back-up Ring
6	1	675550	Washer (orifice .085)
7	1	675549	Shell
8	1	553449	Rod
■ 9	1	2785	O-Ring
■ 10	1	615128	Back-up Ring
11	1	553500	Retainer
12	1	553856	Retaining Ring
13	1	7202	Snap Ring
■ 14	1	641835	Seal
15	1	---	Spacer
		553861	Service Kit

■ Included in Service Kit 553861.

# Arm Group

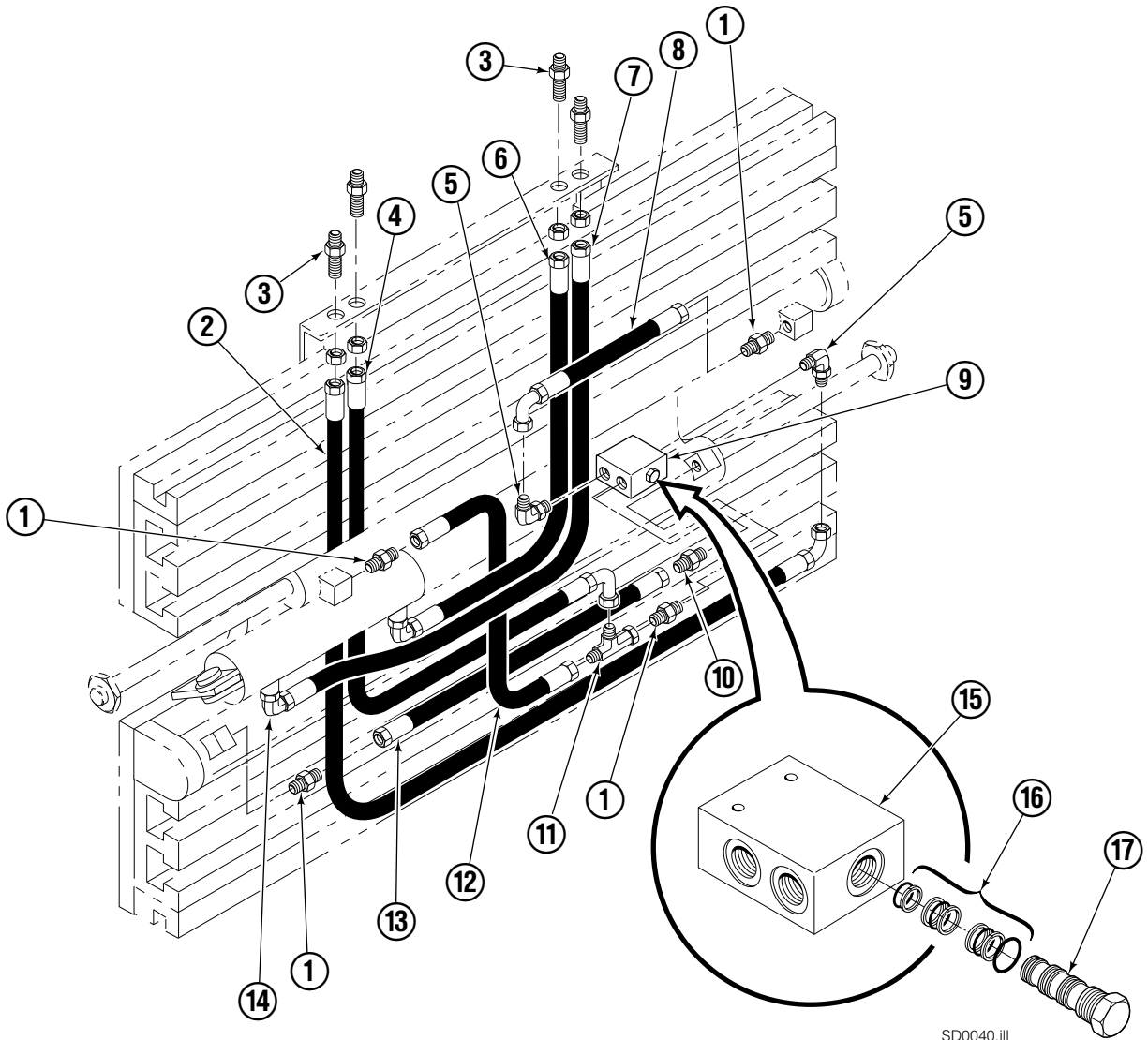


Reference:  
211279 Base Unit Group  
211283 Common Parts Group

50D							
REF	QTY	PART NO.	DESCRIPTION	REF	QTY	PART NO.	DESCRIPTION
		204261	Arm Group	9	4	633801	Capscrew
1	2	204258	Arm Bar	10	4	6290	Washer
2	16	607103	Capscrew, 3/4 NCx1.50 GR8	11	4	209654	Bearing
3	1	211272	Roller Assembly – R.H.	12	2	204259	Arm Bar
3	1	211277	Roller Assembly – L.H.	■ 13	1	209433	Pin
■ 4	2	209410	Anchor Plate	■ 14	2	674265	Clevis Pin
■ 5	1	211729	Spring	■ 15	2	6524	Cotter Pin
■ 6	1	211271	Housing – R.H.	■ 16	4	209430	Roller
■ 6	1	211271	Housing – L.H.	■ 17	1	209431	Spring Keeper
7	4	6455	Washer	■ 18	2	211270	Grease Fitting
8	4	4506	Capscrew				

■ Included in Roller Assembly (Item 3).

# Hydraulics



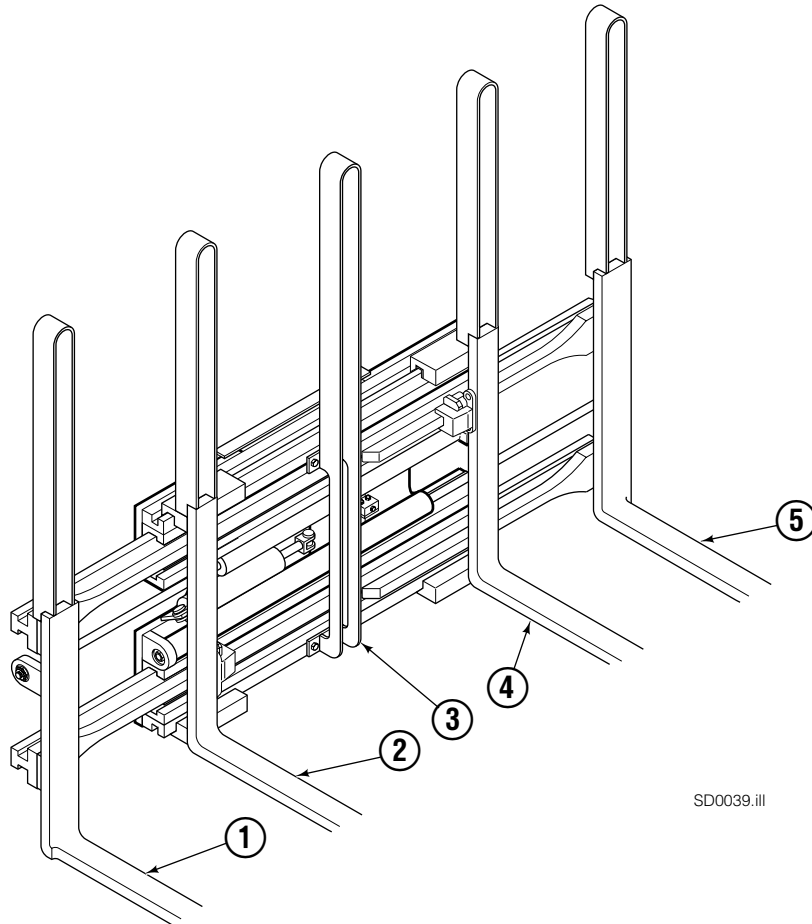
SD0040.ill

50D			
REF	QTY	PART NO.	DESCRIPTION
1	4	611288	Fitting, 6-8
2	1	205226	Hose
3	4	2375	Fitting, 6-6
4	1	205225	Hose
5	2	601676	Fitting, 6-6
6	1	205224	Hose
7	1	205223	Hose
8	1	201567	Hose
■ 9	1	204223	Valve Assembly
10	2	604511	Fitting, 6-6
11	1	611329	Fitting, 6-6
12	1	675953	Hose
13	1	204224	Hose
14	2	666984	Fitting, 4-6
15	1	204222	Valve Body
16	1	204951	Service Kit
17	1	201527	Valve Cartridge

■ Includes items 15-17.

Reference:  
211279 Base Unit Group  
211283 Common Parts Group

# Fork and Backrest Group Loop Backrest

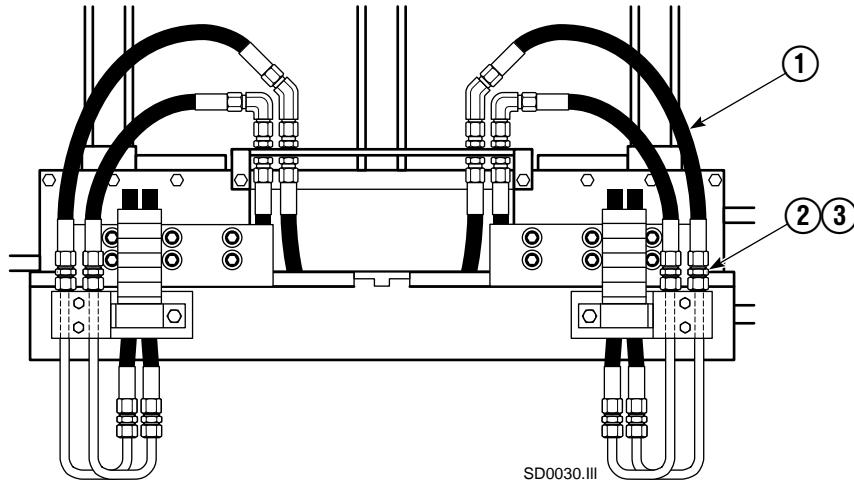


SD0039.ill

50D			
REF	QTY	42"x 62"■ PART NO.	DESCRIPTION
		369644	Fork and Backrest Group
1	1	369648	Outer Fork-RH
2	1	369646	Inner Fork-RH
3	1	369651	Center Backrest
4	1	369645	Inner Fork-LH
5	1	369647	Outer Fork-LH

■ Fork length x backrest height.

# Installation Kit



REF	QTY	PART NO.	DESCRIPTION
		205854	Installation Kit
1	4	2161	Hose
2	4	2347	Fitting, 6-6
3	4	674294	Fitting, 6-8



**Do you have questions you need answered right now?** Call your nearest Cascade Parts Department. Visit us online at [www.cascorp.com](http://www.cascorp.com)

**Cascade Corporation**  
2501 Sheridan Avenue  
Springfield, OH 45505  
Tel: 888-CASCADE (227-2233)  
FAX: 888-329-0234

**Cascade Canada Inc.**  
5570 Timberlea Blvd.  
Mississauga, Ontario  
Canada L4W-4M6  
Tel: 905-629-7777  
FAX: 905-629-7785

**Cascade GmbH**  
D-41199 Monchengladbach  
Klosterhofweg 52  
Germany  
Tel: 49-216-668230  
FAX: 49-216-6682323

**Cascade Finland**  
Albert Petreliuksenkatu 3  
01370 Vantaa  
Finland  
Tel: 358-9-836-1925  
FAX: 358-9-836-1935

**Cascade N.V.  
European Headquarters**  
P.O. Box 3009  
1300 El Almere  
Damsluisweg 56  
1332 ED Almere  
The Netherlands  
Tel: 31-36-5492911  
FAX: 31-36-5492964

**Cascade N.V.  
Benelux Sales and Service**  
P.O. Box 3009  
1300 El Almere  
Damsluisweg 56  
1332 ED Almere  
The Netherlands  
Tel: 31-36-5492950  
FAX: 31-36-5492974

**Cascade (UK) Ltd.**  
15, Orgreave Crescent  
Dore House Industrial Estate  
Handsworth  
Sheffield S13 9NQ  
England  
Tel: 742-697524  
FAX: 742-695121

**Cascade Scandinavia AB**  
Box 124  
Hammarvägen 10  
567 23 Vaggeryd  
Sweden  
Tel: 42-0-393-36950  
FAX: 46-0-393-36959

**Cascade Norway**  
Østerliveien 37A  
1153 Oslo  
Norway  
Tel: 47-22-743160  
FAX: 47-22-743157

**Cascade France S.A.R.L.**  
1D Rue De Charaintru  
BP 18, 91360 Epinay-Sur-Orge  
Morangis Cedex, France  
Tel: 33-1- 64547500  
FAX: 33-1-64547501

**Cascade Hispania S.A.**  
Carrer 5 Sector C  
Zona Franca Duanera  
Poligono de la Zon Franca  
08040 Barcelona, Spain  
Office No. 256  
Tel: 93-264-07-30  
FAX: 93-264-07-31

**Cascade Japan Ltd.**  
5-5-41,  
Torikai Kami  
Settsu, Osaka  
Japan, 566  
Tel: 81-726-53-3490  
FAX: 81-726-53-3497

**Cascade Korea**  
108B, Namdong Ind Complex  
658-3 Gojan-Dong  
Namdong-Gu  
Inchon, 405-310 Korea  
Tel: 82-32-821-2051  
FAX: 82-32-821-2055

**Cascade Australia**  
1445 Ipswich Road  
Rocklea, QLD 4106  
Australia  
Tel: 1-800227-223  
FAX: (07) 3373-7333

**Cascade New Zealand**  
15 Ra Ora Drive  
East Tamaki, Auckland  
New Zealand  
Tel: 9-273-9136  
FAX: 9-273-9137

**Cascade (Africa) Pty. Ltd.**  
P.O. Box 625, Isando 1600  
60A Steel Road  
Sparton, Kempton Park  
South Africa  
Tel: 27-11-975-9240  
FAX: 27-11-394-1147

**Cascade-Xiamen**  
No. 668 Yangguang Rd.  
Xinyang Industrial Zone  
Haicang, Xiamen City  
Fujian Province  
P.R. China 361026  
Tel: 86-592-651-2500  
FAX: 86-592-651-2571

**Cascade (Singapore)  
Trading Co.**  
Four Seasons Park  
Autumn Block - Apt. 1802  
12 Cuscaden Walk  
Singapore  
Tel: 65-834-1935  
FAX: 65-834-1936

