



Number 131

February 1984

Technical Bulletin

Load Push/Pull Cylinder Service Kit Installation Instructions

MODELS: 30C and 45C Load Push/Pull attachments.

Installation Instruction for Cylinder Kits 674193(30C) and 674203(45C). Each kit includes (1) cylinder assembly and (2) 90° 5-6 fittings. Two cylinders are required per attachment.

The old cylinders have No.5 ports and fittings that connect to No.5 hoses. The new replacement cylinders have No.6 ports requiring No.5-6 fittings to connect to the No.5 hoses. Cylinder and kit numbers listed below:

NEW KIT NO.	NEW CYLINDER NO.	OLD CYLINDER NO.
674193	673188	667278
674203	673171	668917

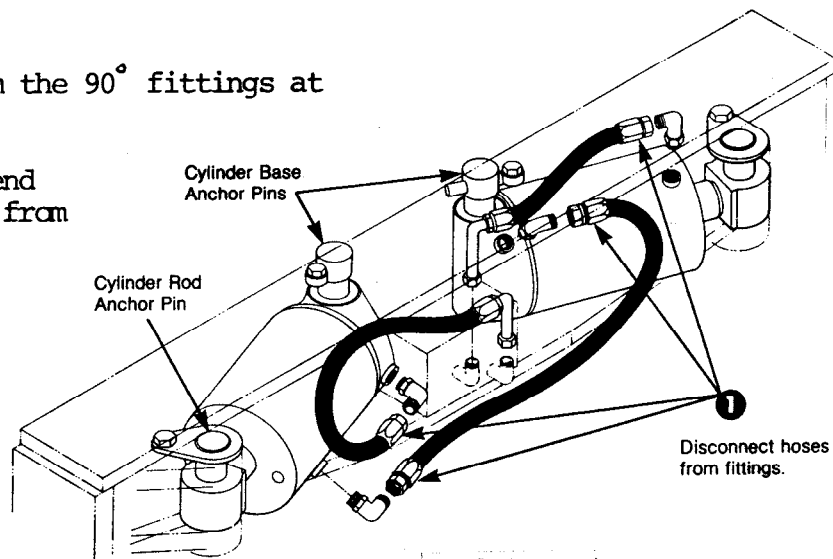


WARNING: Before removing any hoses, relieve pressure that might be present in the hydraulic system. With the truck off, open the truck auxiliary control valve(s) several times in both directions.

- 1 Disconnect the cylinder hoses from the 90° fittings at the cylinder.
- 2 Remove the cylinder rod and base end anchor pins. Remove the cylinder from the attachment.
- 3 Install the 90° fittings supplied in the kit to the new cylinder.

NOTE: The old fittings are not compatible with the new cylinder.

- 4 Install the cylinder to the frame and arm. Tighten the rod end anchor pin capscrews to a torque of 14-16 ft.-lbs. Tighten the base end anchor pin capscrews to a torque of 35-39 ft.-lbs.



(continued)

cascade®

For Technical Support . . .

Call: 1-800-227-2233

OR

Write: Cascade Corporation, P.O. Box 20187, Portland, OR 97220

To Order Parts . . .

Call: 1-888-227-2233

OR

Write: Cascade Corporation, 2501 Sheridan Ave., Springfield, OH 45505

- 5 Reinstall the hoses to the cylinder fittings.
- 6 Remove air from the system by extending the faceplate fully and keeping it there for 10-20 seconds with the truck valve actuated. Repeat if necessary.