



# Parts Manual

---

Model \_\_\_\_\_ Bin Dumper

Serial Number \_\_\_\_\_ 40D-FBB-192

---

**cascade**<sup>®</sup>  
corporation

**For Technical Assistance call:** 800-227-2233, Fax: 888-329-8207

**To Order Parts call:** 888-227-2233, Fax: 888-329-0234

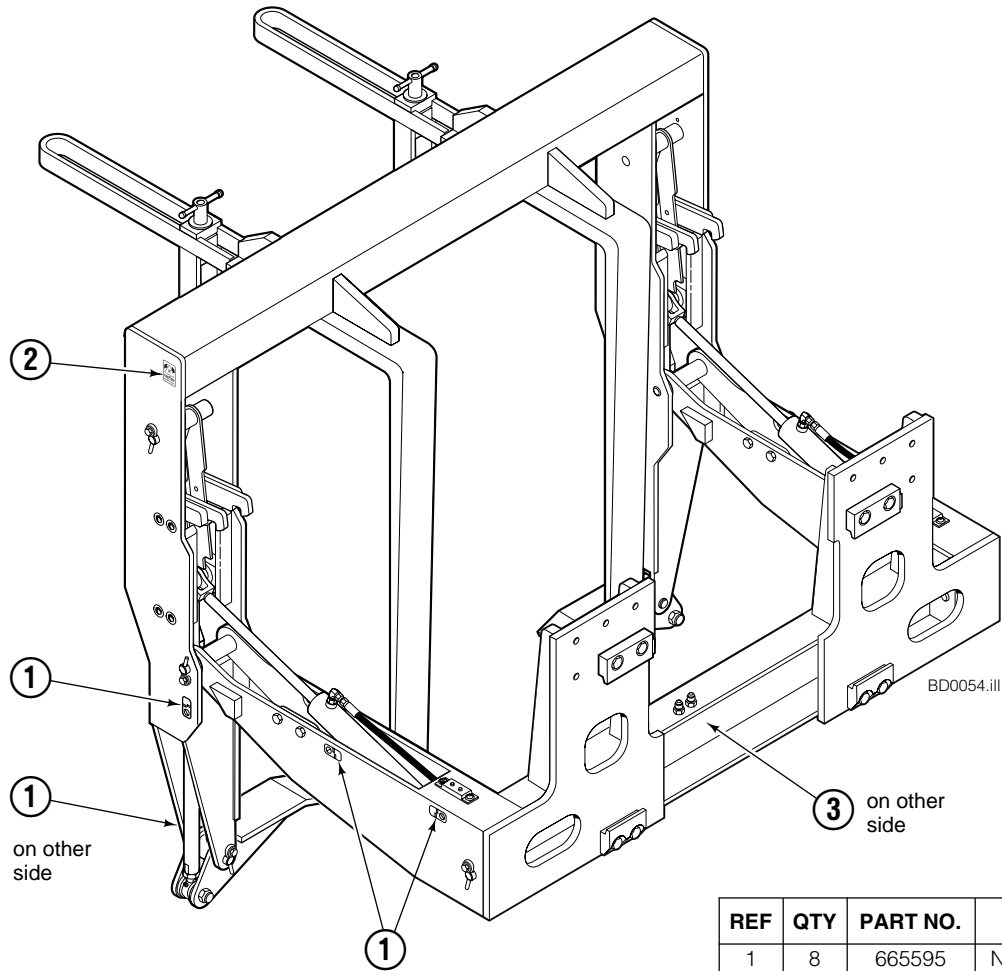
OR

**Write:** Cascade Corporation, P.O. Box 20187, Portland, OR 97220

**Internet:** [www.cascorp.com](http://www.cascorp.com)

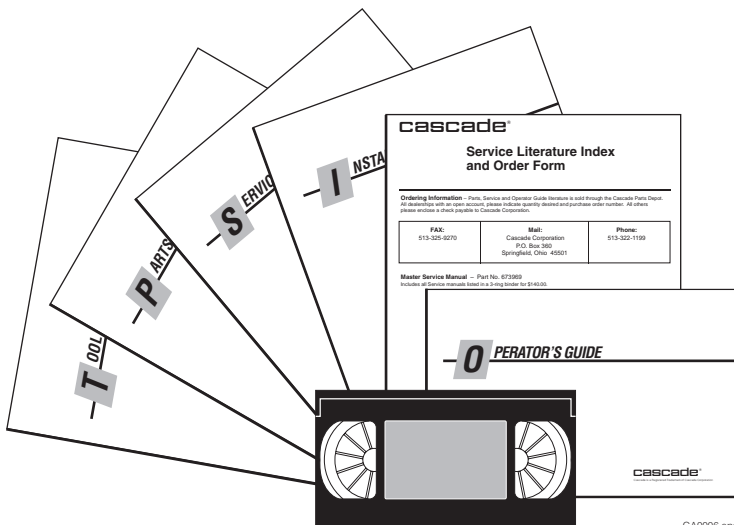


# Decals



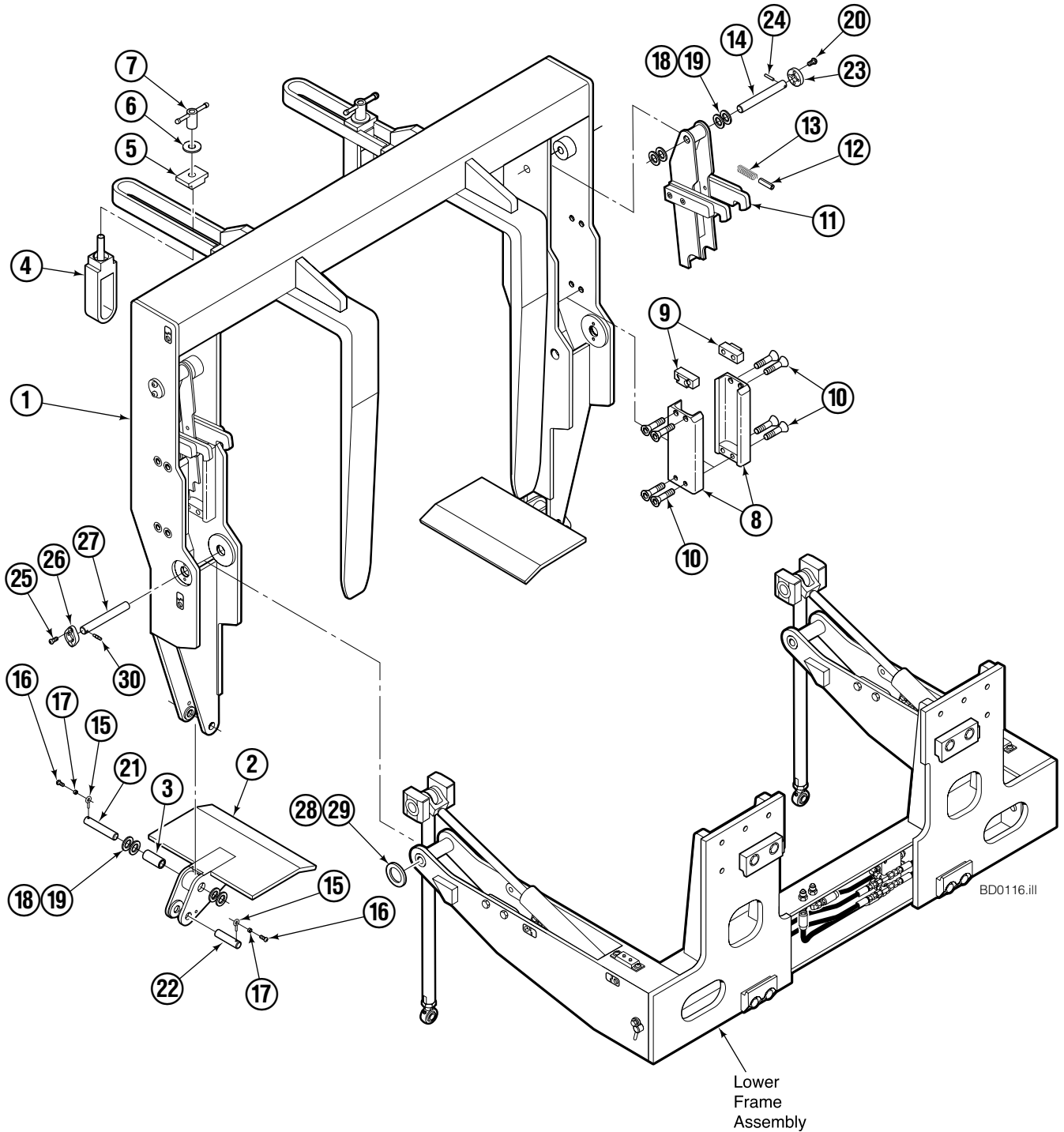
REF	QTY	PART NO.	DESCRIPTION
1	8	665595	No Hand Hold Decal
2	2	656038	Caution Decal
3	1	211274	Eagle – 80 mm

# Publications



PART NO.	DESCRIPTION
	Parts Manual
219472	Service Manual
217562	Operators Guide
217666	Installation Instructions
680664	Servicing Cascade Cylinders-VHS
679929	Tool Catalog
673964	Literature Index Order Form

# Upper Frame Assembly



# Upper Frame Assembly

40D			
REF	QTY	Bin Width	DESCRIPTION
		40 in. PART NO.	
		6105767	Upper Frame Assembly
1	1	6105762	Upper Frame

Reference: S-21198, S-28050.

## Common items.

REF	QTY	PART NO.	DESCRIPTION
2	2	6113525	Foot Assembly
3	2	204535	Bearing ▲
4	2	6103140	■ Hold Down
5	2	399481	■ Clamp
6	2	6236	■ Washer
7	2	399477	■ Handle
8	4	220944	Housing
9	4	224484	Housing Cap
10	16	768712	Capscrew, M16x60-8.8
11	2	6014212	Latch Assembly
12	2	673385	Drive Pin
13	2	6015502	Spring
14	2	6003332	● Pin
15	4	227962	Eye Pin
16	4	683142	Capscrew, M12 x 20
17	4	6009379	Spacer
18	16	676069	Shim
19	24	676070	Shim
20	4	689151	● Capscrew, M8 x 20
21	2	6003464	Pin
22	2	6003660	Pin
23	2	6003311	● Pin Retainer
24	2	673459	● Drive Pin
25	4	214414	Capscrew, M10 x 12
26	2	206589	Retainer
27	2	6014731	Pin
28	4	660200	Shim
29	4	6102548	Shim
30	2	673385	Drive Pin

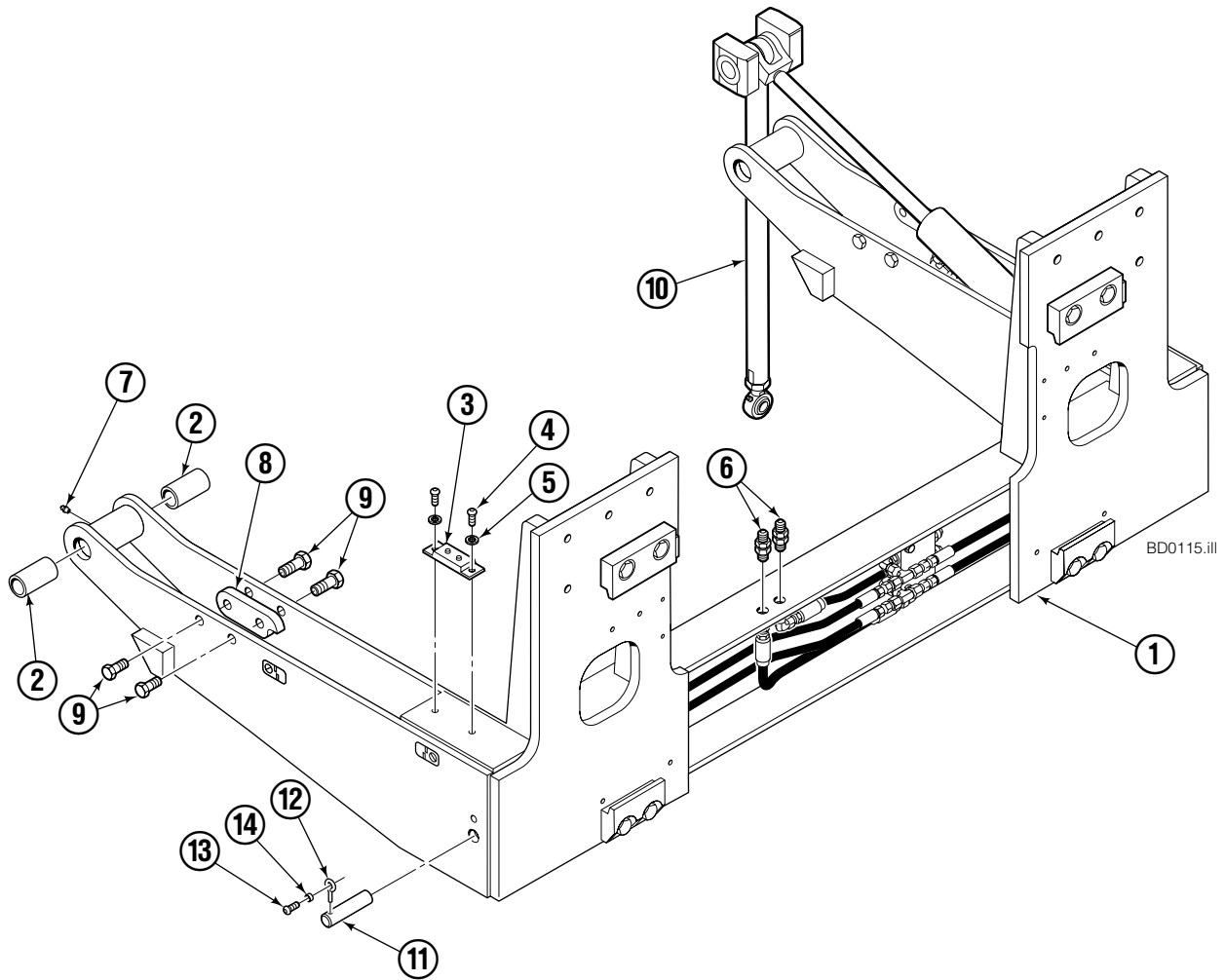
▲ Included in Foot Assembly 6113525.

■ Included in Hold Down Assembly 6102541.

● Included in Pivot Pin Assembly 6003334.

Reference: Common Parts Group 6007708, SK-6290, SK-6288.

# Lower Frame Assembly



40D			
REF	QTY	Bin Width	DESCRIPTION
		40 in. PART NO.	
		6104806	Lower Frame Assembly
1	1	21173-1016	Lower Frame

Reference: S-21173, S-10182, S-10149.

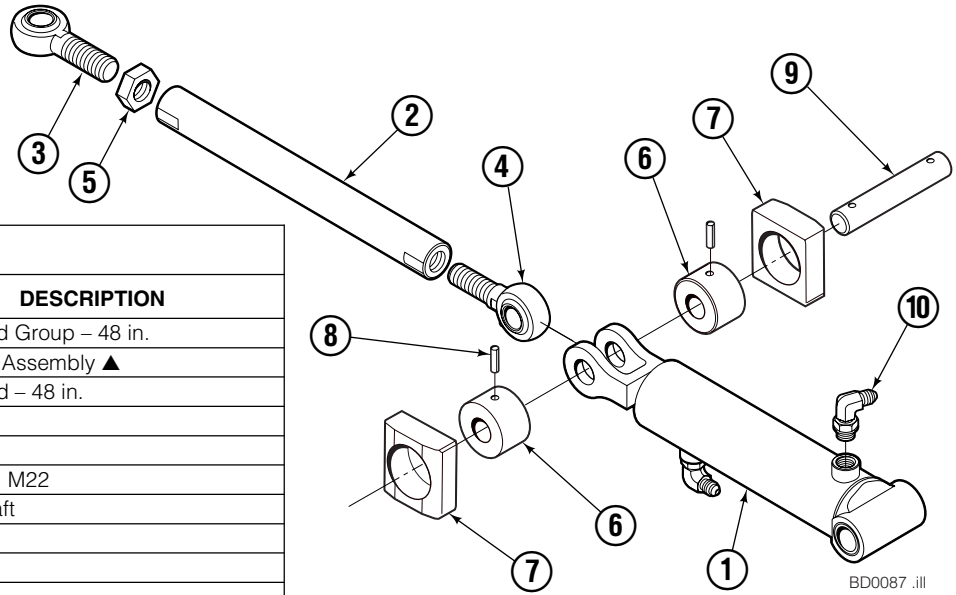
## Common items.

REF	QTY	PART NO.	DESCRIPTION	REF	QTY	PART NO.	DESCRIPTION
2	4	674843	Bushing	9	8	763101	Capscrew, M16 x 25
3	2	661785	Cushion	10	1	224521	Push Rod Group – 48 in. Bin Depth ▲
4	4	4869	Capscrew, 5/16 x .50 GR8	11	2	6003659	Pin
5	4	6287	Lockwasher, 5/16	12	2	227962	Eye Pin
6	2	2375	Fitting, 6-6	13	2	683142	Capscrew, M12 x 20
7	2	7403	Grease Fitting	14	2	6009379	Spacer
8	4	219381	Latch Plate				

▲ See Push Rod Group page for parts breakdown.

Reference: SK-6293.

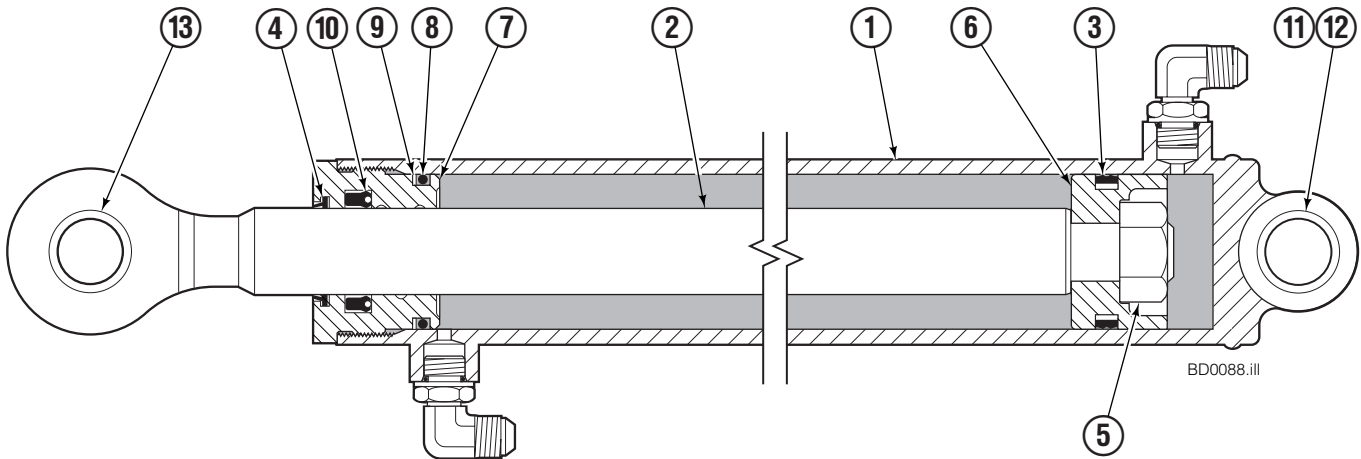
# Push Rod Group



40D			
REF	QTY	PART NO.	DESCRIPTION
		224521	Push Rod Group – 48 in.
1	2	3011636	Cylinder Assembly ▲
2	2	10638-720	Push Rod – 48 in.
3	2	3010449	Rod End
4	2	3010450	Rod End
5	2	3012691	Jam Nut, M22
6	4	220947	Stub Shaft
7	4	224409	Bearing
8	4	7917	Roll Pin
9	2	3010451	Pin
10	4	666984	Fitting, 6-6

▲ See Cylinder Assembly for parts breakdown.  
Reference: Common Parts Group 224526, SK-6291, SK-6451.

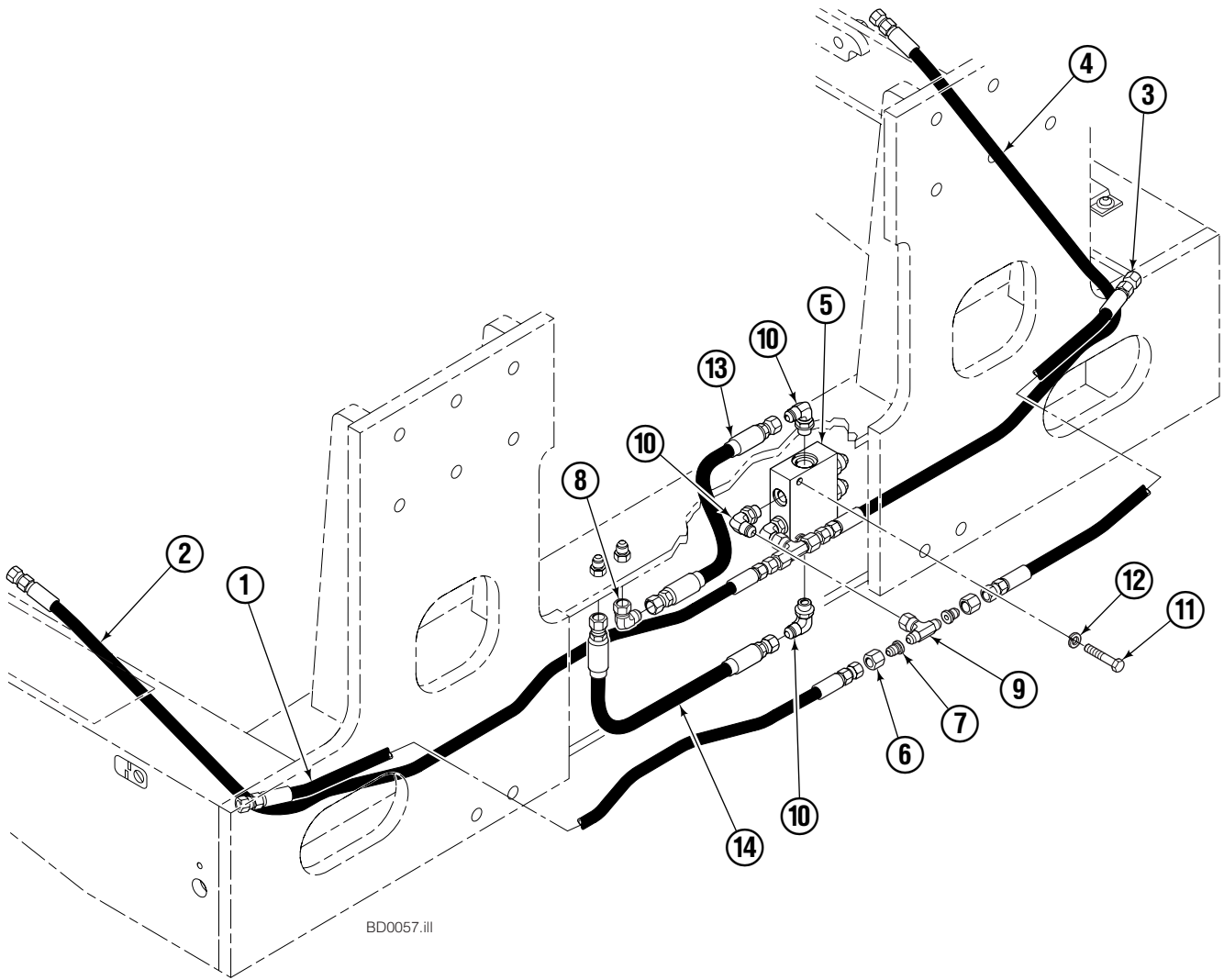
# Cylinder Assembly



40D							
REF	QTY	PART NO.	DESCRIPTION	REF	QTY	PART NO.	DESCRIPTION
		3011636	Cylinder Assembly	8	1	2785	O-Ring ▲
1	1	3011637	Shell	9	1	615128	Back-Up Ring ▲
2	1	3011638	Rod	10	1	662448	Seal ▲
3	1	564158	Seal ▲	11	2	559697	Bushing
4	1	636853	Wiper ▲	12	1	559698	Spacer
5	1	678019	Nut	13	2	683153	Bushing
6	1	564160	Piston			562338	Service Kit
7	1	559696	Retainer				

▲ Included in Service Kit 562338.  
Reference: S-8945, S-10494, S-10497.

# Hydraulic Group

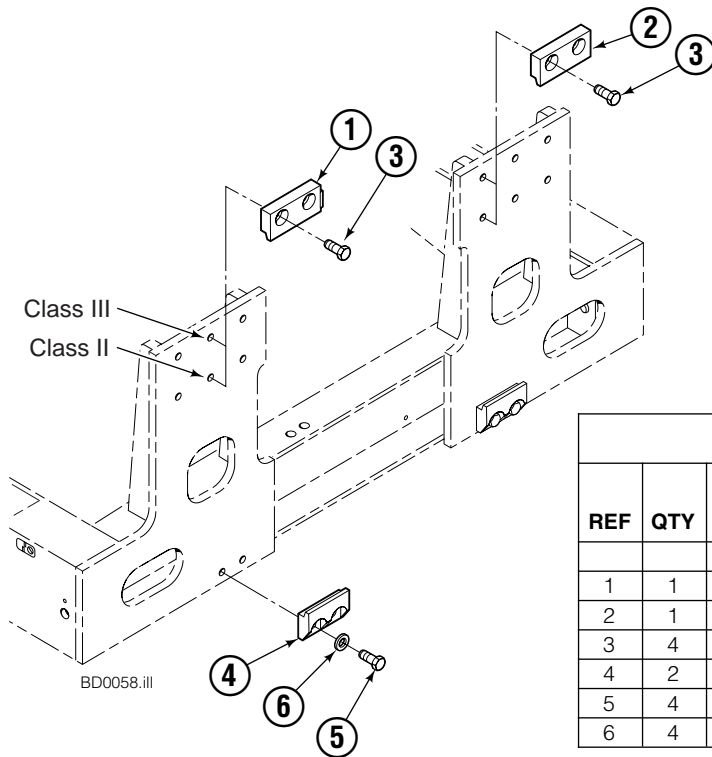


40D			
REF	QTY	Bin Width	DESCRIPTION
		40 in. PART NO.	
		6007725	Hose Group
1	1	207571	Hose, 31 in.
2	1	383891	Hose, 52 in.
3	1	599602	Hose, 20 in.
4	1	388419	Hose, 37 in.

REF	QTY	PART NO.	DESCRIPTION	REF	QTY	PART NO.	DESCRIPTION
		220159	Hydraulic Group	10	4	601676	Fitting, 6-6
5	1	220156	Valve Assembly	11	2	360785	Capscrew
6	4	2617	Fitting, 6	12	2	6287	Lockwasher
7	4	2669	Fitting, 6-4	13	1	361753	Hose, 12.6 in.
8	1	2680	Fitting, 6-6	14	1	359124	Hose, 19.25 in.
9	2	610892	Fitting, 6-6				

Reference: SK-6370.

# Bolt-On Mounting



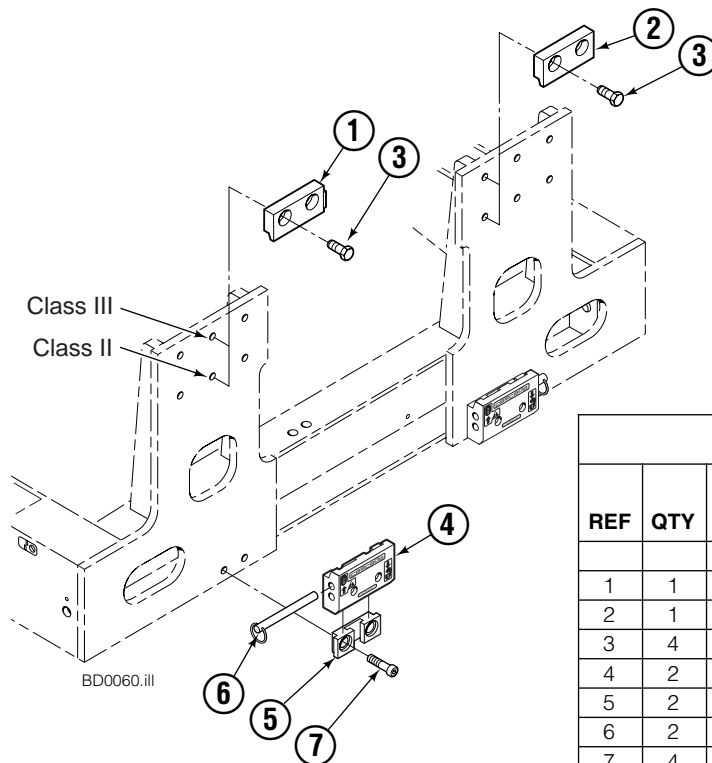
40D				
REF	QTY	ITA II PART NO.	ITA III PART NO.	DESCRIPTION
		<b>220511</b>	220513	Mounting Group
1	1	220987	220988	Upper Hook – LH
2	1	220985	220986	Upper Hook – RH
3	4	752903	752903	Capscrew, M16x45-8.8
4	2	▲ 675968	■ 675969	Lower Hook
5	4	▲ 779009	■ 779009	Capscrew, M16x30-8.8
6	4	▲ 667225	■ 667225	Washer, 5/8

▲ Included in Lower Hook Group 391334.

■ Included in Lower Hook Group 391335.

Reference: SK-6399.

# Quick-Disconnect Mounting



40D				
REF	QTY	ITA II PART NO.	ITA III PART NO.	DESCRIPTION
		220512	220814	Mounting Group
1	1	220987	220988	Upper Hook – LH
2	1	220985	220986	Upper Hook – RH
3	4	752903	752903	Capscrew, M16x45-8.8
4	2	675514	675957	Lower Hook
5	2	675515	675958	Guide
6	2	678832	678832	Pin
7	4	211180	779016	Capscrew, M16x30

▲ Included in Lower Hook Group 221740.

■ Included in Lower Hook Group 221741.

Reference: SK-6399.

# Recommended Spare Parts List

Bin Dumper 40D-FBB-192				
PART NO.	DESCRIPTION	ATTACHMENTS SERVICED		
		1-5	6-15	16-50
	<b>UPPER FRAME GROUP</b>			
204535	Bushing	4	8	8
227962	Eye Pin	8	8	8
676069	Shim	16	24	24
676070	Shim	24	32	32
	<b>LOWER FRAME GROUP</b>			
661785	Cushion	4	8	8
674843	Bushing	4	8	8
	<b>PUSH ROD GROUP</b>			
3010449	Rod End	2	4	4
224409	Bearing	4	8	8
	<b>CYLINDER</b>			
562338	Service Kit	1	2	3
	<b>MOUNTING GROUP</b>			
■	Upper Hook	2	4	4
■	Capscrew	4	8	8
675968	Lower Hook, ITA II	1	2	2
675969	Lower Hook, ITA III	1	2	2
	<b>PAINT</b>			
212988	12 oz. Aerosol Can, Gray	1	1	1
	<b>PUBLICATIONS</b>			
219472	Parts Manual	1	1	1
217666	Service Manual	1	1	1
217666	Installation Instructions	1	1	1
217562	Operator's Guide	1	1	1
679929	Tool Catalog	1	1	1
673964	Literature Index Order Form	1	1	1

■ See specific parts page for part number.



**Do you have questions you need answered right now?** Call your nearest Cascade Parts Department. Visit us online at [www.cascorp.com](http://www.cascorp.com)

**Cascade Corporation**  
2501 Sheridan Avenue  
Springfield, OH 45505  
Tel: 888-CASCADE (227-2233)  
FAX: 888-329-0234

**Cascade Canada Inc.**  
5570 Timberlea Blvd.  
Mississauga, Ontario  
Canada L4W-4M6  
Tel: 905-629-7777  
FAX: 905-629-7785

**Cascade GmbH**  
Dahlener Strasse 570  
41239 Mönchengladbach  
Germany  
Tel: 02166-68230  
FAX: 02166-682323

**Cascade Finland**  
A. Petreliuksenkatu 3  
01370 Vantaa  
Finland  
Tel: 09-8361925  
FAX: 09-8361935

**Cascade N.V.  
Benelux Sales and Service**  
Damsluisweg 56  
PO Box 3009  
1300 El Almere  
The Netherlands  
Tel: 036-5492950  
FAX: 036-5492974

**Cascade (UK) Ltd.**  
Unit 5, Eden Close  
Hellaby Lane Ind. Estate  
Heellaby,  
Rotherham S66 8RW  
England  
Tel: 01709-704500  
FAX: 01709-704501

**Sales Scotland  
Macade Systems Ltd.**  
18 Melford Road  
Righead Ind. Estate  
Bellshill ML4 3LR  
Scotland  
Tel: 01698-845777  
FAX: 01698-845888

**Cascade (Africa) Pty. Ltd.**  
PO Box 625, Isando 1600  
60A Steel Road  
Sparton, Kempton Park  
South Africa  
Tel: 975-9240  
FAX: 394-1147

**Cascade Scandinavia AB**  
Hammarvägen 10  
PO Box 124  
S-56723 Vaggeryd  
Sweden  
Tel: 039-336950  
FAX: 039-336959

**Cascade France  
S.A.R.L. MHP**  
1D Rue De Charaintru  
BP 18,  
91360 Epinay-Sur-Orge  
France  
Tel: 01-6454-7500  
FAX: 01-6454-7501

**Cascade Hispania S.A.**  
Carrer 5, Sector C  
Zona Franca Duanera  
Poligono de la Zona Franca  
08040 Barcelona  
Spain  
Tel: 93-264-07-30  
FAX: 93-264-07-31

**Sales Italy**  
Via Ponzano 11  
50047 Prato  
Italy  
Tel: 0574-571726  
FAX: 0574-571726  
Mobile Phone: 0337-673029

**Sales Portugal FAG  
Santos Lda**  
Rua do Mercado  
Lte 6, Loja 2-Tires  
2785-630  
S. Domingos De Rana  
Portugal  
Tel: 214-448-083  
FAX: 214-458-098

**Sales Switzerland  
Fahrzeugbedarf**  
8810, Horgen  
Switzerland  
Tel: 01-7279797  
FAX: 01-7279798

**Sales Poland**  
Targowa 35/61  
03-728 Warszawa  
Tel: 022-619 00 49  
FAX: 022-619 00 49  
Mobile Phone: 0501-27 29 55

**Sales Russia**  
EMCG Material Handling  
Equipment  
Moscow  
Tel: 095-795-2400  
FAX: 095-795-2475  
Email: [emcg@dol.ru](mailto:emcg@dol.ru)

**Cascade Japan Ltd.**  
5-5-41,  
Torikai Kami  
Settsu, Osaka  
Japan, 566  
Tel: 81-726-53-3490  
FAX: 81-726-53-3497

**Cascade Korea**  
108B Namdong Ind. Complex  
658-3 Gojan-Dong  
Namdong-Gu  
Inchon, 405-310 Korea  
Tel: 82-32-821-2051  
FAX: 82-32-821-2055

**Cascade Australia**  
1445 Ipswich Road  
Rocklea, QLD 4106  
Australia  
Tel: 1-800227-223  
FAX: (07) 3373-7333

**Cascade New Zealand**  
15 Ra Ora Drive  
East Tamaki, Auckland  
New Zealand  
Tel: 9-273-9136  
FAX: 9-273-9137

**Cascade-Xiamen**  
No. 668 Yangguang Rd.  
Xinyang Industrial Zone  
Haicang, Xiamen City  
Fujian Province  
P.R. China 361026  
Tel: 86-592-651-2500  
FAX: 86-592-651-2571

**Cascade (Singapore)  
Trading Co.**  
Four Seasons Park  
Autumn Block - Apt. 1802  
12 Cuscaden Walk  
Singapore  
Tel: 65-834-1935  
FAX: 65-834-1936

