



# Parts Manual

---

Model Fork Positioner

Serial Number 100F-FPS-140

---

**cascade**<sup>®</sup>  
corporation

**For Technical Assistance call:** 800-227-2233, Fax: 888-329-8207

**To Order Parts call:** 888-227-2233, Fax: 888-329-0234

**OR**

**Write:** Cascade Corporation, P.O. Box 20187, Portland, OR 97220

**Internet:** [www.cascorp.com](http://www.cascorp.com)

# Publications

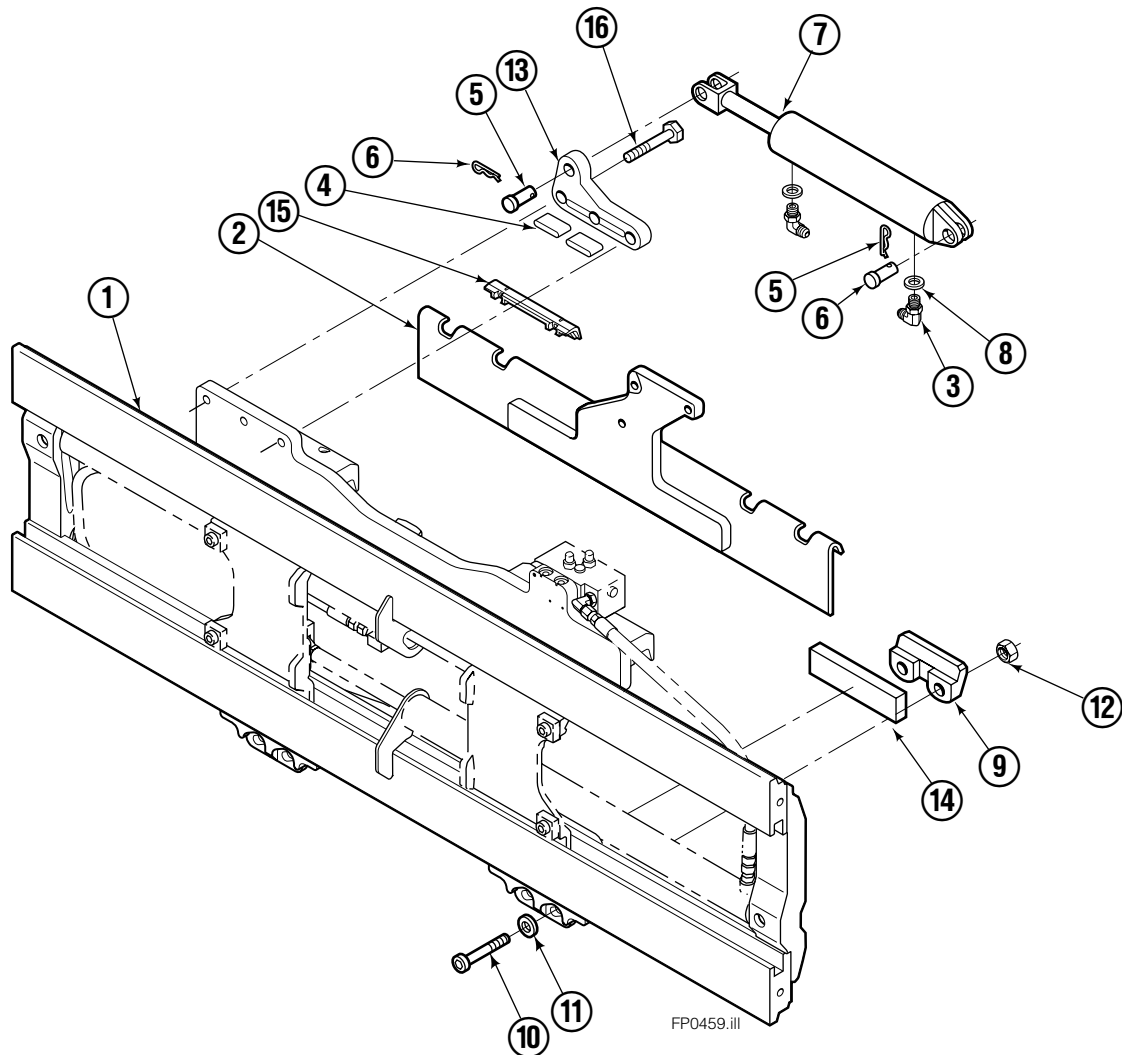


| 100F     |                                 |
|----------|---------------------------------|
| PART NO. | DESCRIPTION                     |
|          | Parts Manual                    |
| 208743   | Service Manual                  |
| 688261   | Operators Guide                 |
| 207363   | Installation Instructions       |
| 680664   | Servicing Cascade Cylinders-VHS |
| 679929   | Tool Catalog                    |
| 673964   | Literature Index Order Form     |

# Safety Decals



# Mounting Group Sideshifting

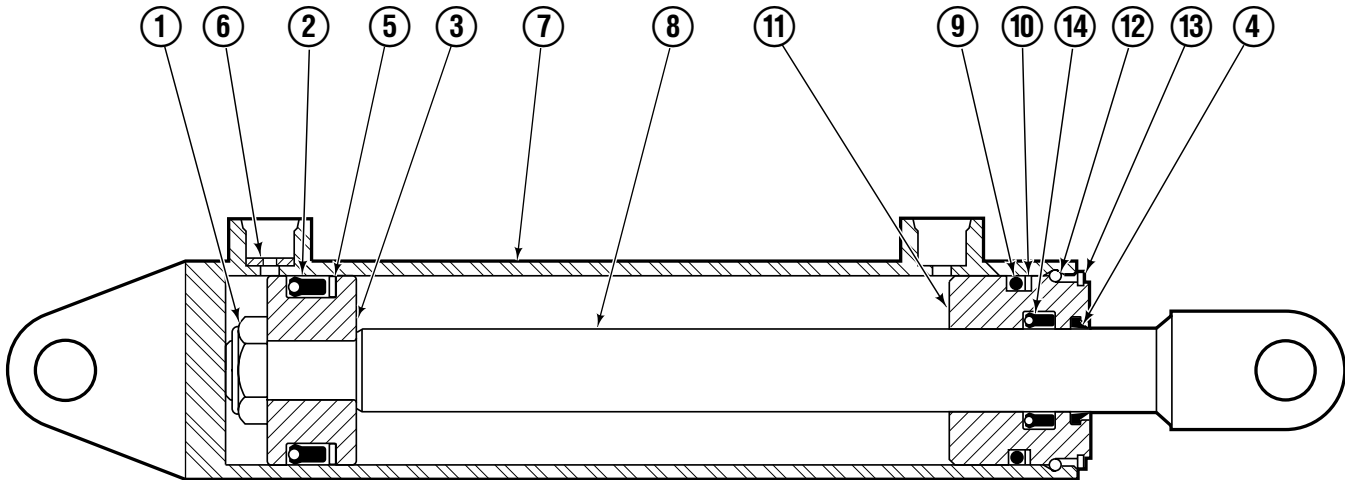


## 100F

| REF | QTY | PART NO. | DESCRIPTION                   | REF | QTY | PART NO. | DESCRIPTION              |
|-----|-----|----------|-------------------------------|-----|-----|----------|--------------------------|
|     |     | 209452   | Sideshifting Mounting-72" ■ ● | 9   | 2   | 204186   | Lower Hook               |
| 1   | 1   | 3004204  | Frame-72" ■                   | 10  | 4   | 766154   | Capscrew, M16x2,0x40-8.8 |
| 2   | 1   | 209395   | Anchor Bracket-72" ■          | 11  | 4   | 667225   | Washer                   |
| 3   | 2   | 601676   | Fitting, 6-6                  | 12  | 4   | 678990   | Nut                      |
| 4   | 2   | 209542   | Key, M10x8x63                 | 13  | 1   | 209309   | Lug                      |
| 5   | 2   | 678528   | Clevis Pin                    | 14  | 2   | 208350   | Lower Bearing            |
| 6   | 2   | 672726   | Hairpin Cotter                | 15  | 2   | 672018   | Upper Bearing            |
| 7   | 1   | 676649   | Cylinder Assembly ◆           | 16  | 3   | 752907   | Capscrew, M20x50 Lg-8.8  |
| 8   | 1   | 675550   | Washer (orifice .085)         |     |     |          |                          |

- Carriage width.
- Includes items 2 through 16.
- ◆ See Cylinder page for parts breakdown.

# Sideshift Cylinder

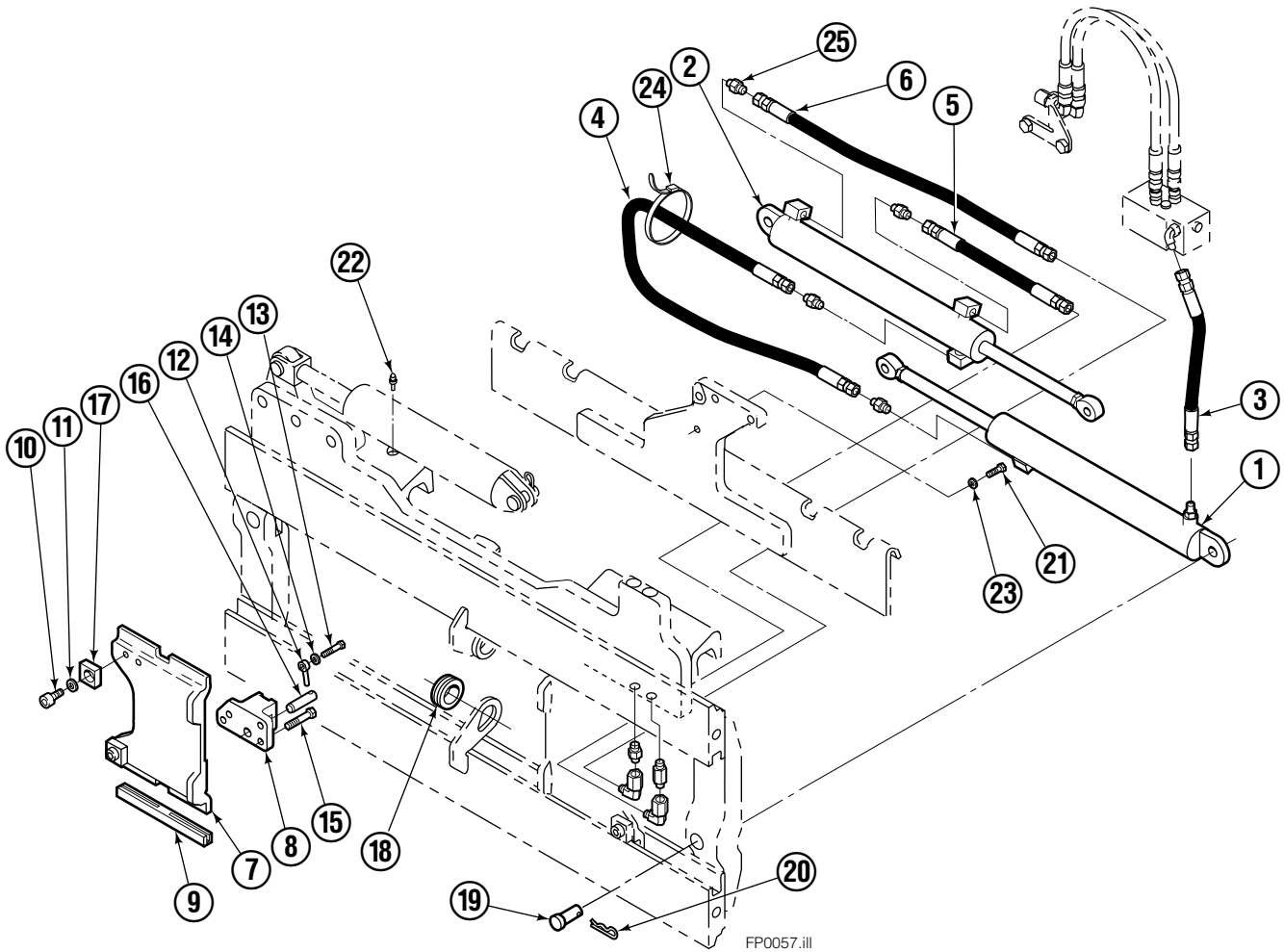


FP0029.ill

| REF  | QTY | PART NO. | DESCRIPTION           |
|------|-----|----------|-----------------------|
|      |     | 676649   | Cylinder Assembly     |
| 1    | 1   | 553717   | Nut                   |
| ■ 2  | 1   | 662456   | Seal                  |
| 3    | 1   | 553527   | Piston                |
| ■ 4  | 1   | 636852   | Wiper                 |
| ■ 5  | 1   | 649817   | Back-up Ring          |
| 6    | 1   | 675550   | Washer (orifice .085) |
| 7    | 1   | 676776   | Shell                 |
| 8    | 1   | 553530   | Rod                   |
| ■ 9  | 1   | 2789     | O-Ring                |
| ■ 10 | 1   | 615132   | Back-up Ring          |
| 11   | 1   | 553528   | Retainer              |
| 12   | 1   | 553688   | Retaining Ring        |
| 13   | 1   | 7211     | Snap Ring             |
| ■ 14 | 1   | 662447   | Seal                  |
|      |     | 553866   | Service Kit           |

■ Included in Service Kit 553866.

# Hydraulic/Fork Group



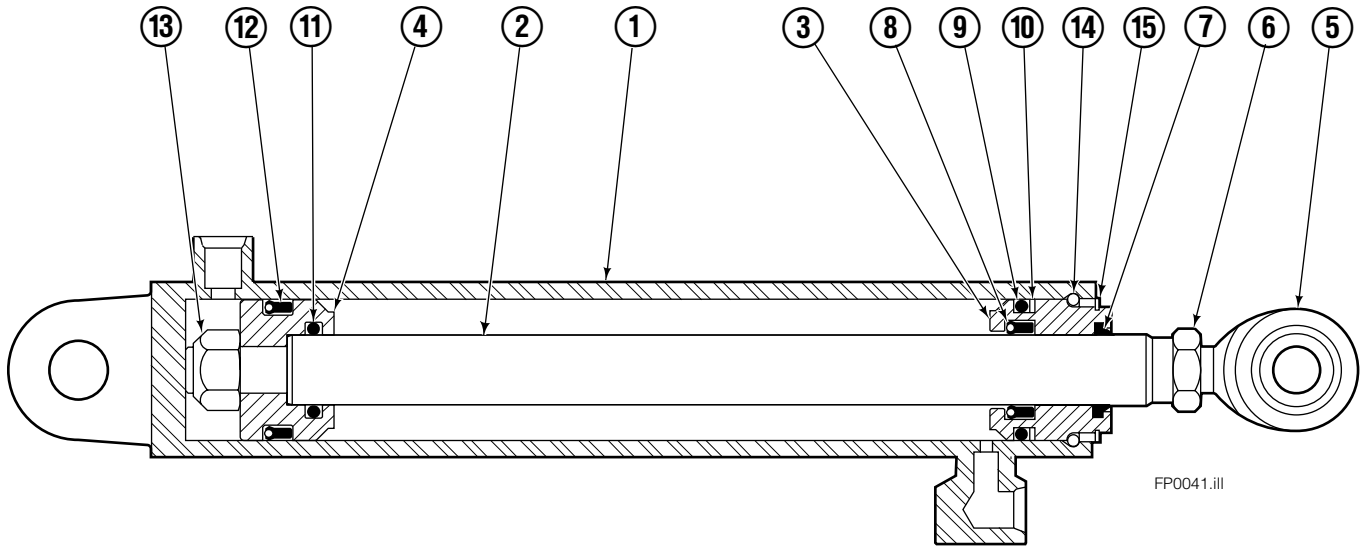
Reference:  
BC-106  
SK-6042

| 100F |     |          |                          |     |     |          |                |
|------|-----|----------|--------------------------|-----|-----|----------|----------------|
| REF  | QTY | PART NO. | DESCRIPTION              | REF | QTY | PART NO. | DESCRIPTION    |
|      |     | 377248   | Hydraulic Group ●        | 13  | 2   | 763169   | Capscrew       |
|      |     | 209502   | Fork Group □             | 14  | 2   | 680217   | Lockwasher     |
| 1    | 1   | 377249   | Cylinder Assembly – LH ◆ | 15  | 8   | 681370   | Capscrew       |
| 2    | 1   | 377250   | Cylinder Assembly – RH ▼ | 16  | 2   | 209308   | Pin            |
| 3    | 1   | 202115   | Hose                     | 17  | 4   | 209306   | Block          |
| 4    | 1   | 202406   | Hose                     | 18  | 2   | 209305   | Grommet        |
| 5    | 1   | 201256   | Hose                     | 19  | 2   | 661675   | Clevis Pin     |
| 6    | 1   | 675057   | Hose                     | 20  | 2   | 672726   | Hairpin Cotter |
| 7    | 2   | 209391   | Fork Carrier             | 21  | 1   | 763022   | Capscrew       |
| 8    | 2   | 209280   | Lug                      | 22  | 2   | 7403     | Grease Fitting |
| 9    | 4   | 209303   | Bearing                  | 23  | 1   | 681238   | Lockwasher     |
| 10   | 4   | 768838   | Capscrew                 | 24  | 1   | 200008   | Cable Tie      |
| 11   | 4   | 678992   | Lockwasher               | 25  | 5   | 604511   | Fitting, 6-6   |
| 12   | 2   | 206923   | Eyebolt                  |     |     |          |                |

◆ See LH Cylinder page for parts breakdown.  
▼ See RH Cylinder page for parts breakdown.

● Includes items 1 through 6.  
□ Includes items 7 through 25.

# Left Hand Cylinder

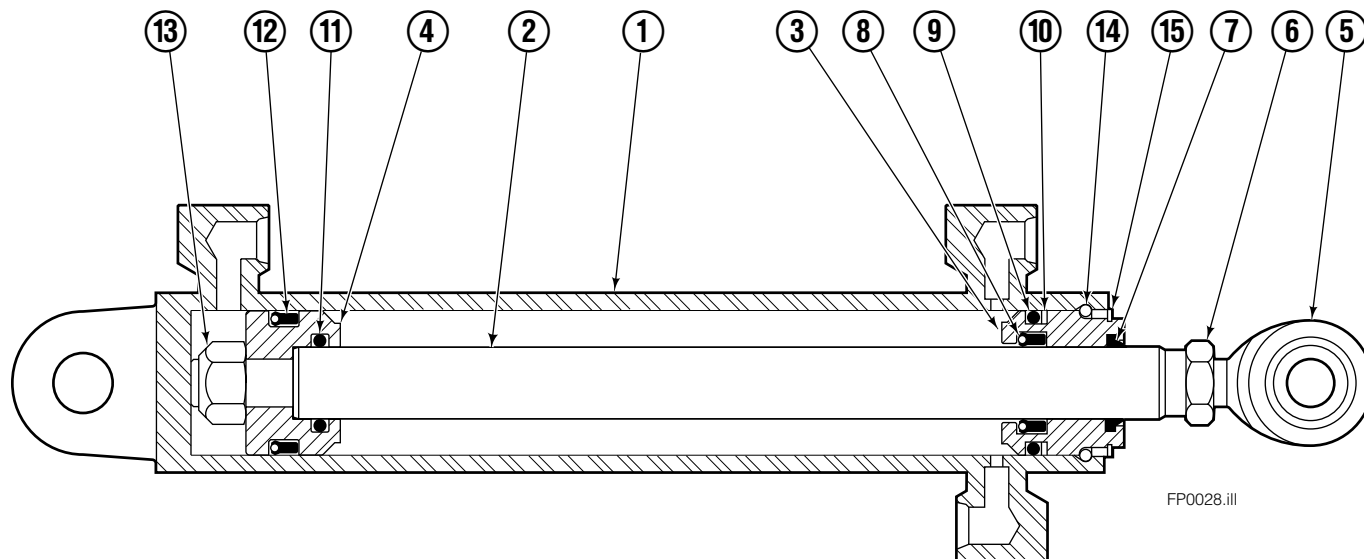


| <b>100F</b> |     |          |                   |
|-------------|-----|----------|-------------------|
| REF         | QTY | PART NO. | DESCRIPTION       |
|             |     | 377249   | Cylinder Assembly |
| 1           | 1   | 584046   | Shell             |
| 2           | 1   | 584047   | Rod               |
| 3           | 1   | 564451   | Retainer          |
| 4           | 1   | 562056   | Piston            |
| 5           | 1   | 564452   | Rod End           |
| 6           | 1   | 5721     | Nut               |
| 7           | 1   | 564408   | Rod Wiper ●       |
| 8           | 1   | 564406   | Rod Seal ●        |
| 9           | 1   | 562127   | O-Ring ●          |
| 10          | 1   | 563388   | Back-up Ring ●    |
| 11          | 1   | 563278   | O-Ring ●          |
| 12          | 1   | 564141   | Piston Seal ●     |
| 13          | 1   | 678019   | Piston Nut        |
| 14          | 1   | 562942   | Retaining Ring    |
| 15          | 1   | 562951   | Snap Ring         |
| 16          | 1   | —        | Spacer            |
|             |     | 564453   | Service Kit       |

● Included in Service Kit 564453.

Reference: S-6147, S-6142.

# Right Hand Cylinder



## 100F

| REF | QTY | PART NO. | DESCRIPTION       |
|-----|-----|----------|-------------------|
|     |     | 377250   | Cylinder Assembly |
| 1   | 1   | 584048   | Shell             |
| 2   | 1   | 584047   | Rod               |
| 3   | 1   | 564451   | Retainer          |
| 4   | 1   | 562056   | Piston            |
| 5   | 1   | 564452   | Rod End           |
| 6   | 1   | 5720     | Nut               |
| 7   | 1   | 564408   | Rod Wiper ●       |
| 8   | 1   | 564406   | Rod Seal ●        |
| 9   | 1   | 562127   | O-Ring ●          |
| 10  | 1   | 563388   | Back-up Ring ●    |
| 11  | 1   | 563278   | O-Ring ●          |
| 12  | 1   | 564141   | Piston Seal ●     |
| 13  | 1   | 678019   | Piston Nut        |
| 14  | 1   | 562942   | Retaining Ring    |
| 15  | 1   | 562951   | Snap Ring         |
|     |     | 564453   | Service Kit       |

● Included in Service Kit 564453.

Reference: S-6148, S-6142.

# Flow Divider Group

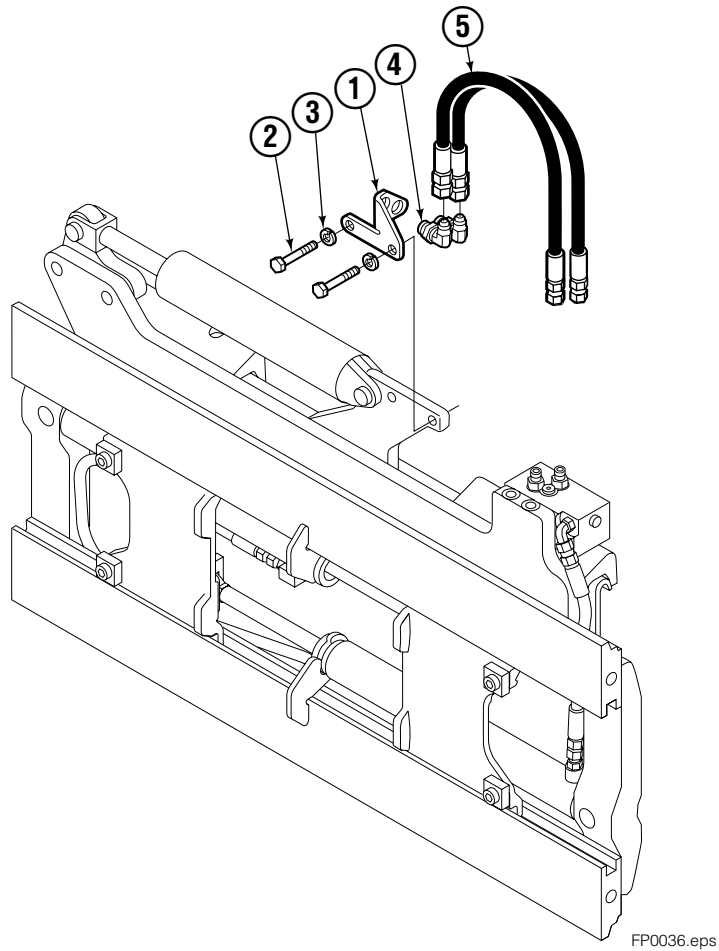


FP0035.iii

| <b>100F</b> |     |          |                    |
|-------------|-----|----------|--------------------|
| REF         | QTY | PART NO. | DESCRIPTION        |
|             |     | 209504   | Flow Divider Group |
| 1           | 1   | 209310   | Valve ■            |
| 2           | 1   | 209311   | Valve Body         |
| 3           | 1   | 201527   | Cartridge-Combiner |
| 4           | 2   | 663694   | Fitting, 3         |
| 5           | 2   | 604511   | Fitting, 6-6       |
| 6           | 1   | 601676   | Fitting, 6-6       |
| 7           | 1   | 679992   | Service Kit        |
| 8           | 3   | 685105   | Capscrew           |
| 9           | 3   | 678993   | Lockwasher         |
| 10          | 2   | 207300   | O-Ring             |
| 11          | 1   | 604511   | Fitting, 6-6       |
| 12          | 2   | 2680     | Fitting, 6-6       |
| 13          | 2   | 604510   | Fitting, 6         |
| 14          | 1   | 605743   | Fitting, 6-6       |

■ Includes items 1 through 7.

# Standard Installation Group



| <b>100F</b> |     |          |                      |
|-------------|-----|----------|----------------------|
| REF         | QTY | PART NO. | DESCRIPTION          |
|             |     | 209506   | Installation Group   |
| 1           | 1   | 207314   | Bracket              |
| 2           | 2   | 762899   | Capscrew, M10X20-8.8 |
| 3           | 2   | 681238   | Lockwasher           |
| 4           | 2   | 2453     | Fitting, 8-8         |
| 5           | 2   | 207425   | Hose                 |

**Do you have questions you need answered right now?** Call your nearest Cascade Parts Department.

**Cascade Corporation**

2501 Sheridan Avenue  
Springfield, OH 45505  
Tel: 888-CASCADE (227-2233)  
FAX: 888-329-0234  
www.cascorp.com

**Cascade Canada Inc.**

5570 Timberlea Blvd.  
Mississauga, Ontario  
Canada L4W-4M6  
Tel: 905-629-7777  
FAX: 905-629-7785

**Cascade GmbH**

D-41199 Monchengladbach  
Klosterhofweg 52  
Germany  
Tel: 49-216-668230  
FAX: 49-216-6682323

**Cascade Finland**

Albert Petreliuksenkatu 3  
01370 Vantaa  
Finland  
Tel: 358-9-836-1925  
FAX: 358-9-836-1935

**Cascade N.V.  
European Headquarters**

P.O. Box 3009  
1300 El Almere  
Damsluisweg 56  
1332 ED Almere  
The Netherlands  
Tel: 31-36-5492911  
FAX: 31-36-5492964

**Cascade N.V.  
Benelux Sales and Service**

P.O. Box 3009  
1300 El Almere  
Damsluisweg 56  
1332 ED Almere  
The Netherlands  
Tel: 31-36-5492950  
FAX: 31-36-5492974

**Cascade (UK) Ltd.**

15, Orgreave Crescent  
Dore House Industrial Estate  
Handsworth  
Sheffield S13 9NQ  
England  
Tel: 742-697524  
FAX: 742-695121

**Cascade Scandinavia AB**

Box 124  
Hammarvägen 10  
567 23 Vaggeryd  
Sweden  
Tel: 42-0-393-36950  
FAX: 46-0-393-36959

**Cascade Norway**

Østerliveien 37A  
1153 Oslo  
Norway  
Tel: 47-22-743160  
FAX: 47-22-743157

**Cascade France S.A.R.L.**

1D Rue De Charaintru  
BP 18, 91360 Epinay-Sur-Orge  
Morangis Cedex, France  
Tel: 33-1- 64547500  
FAX: 33-1-64547501

**Cascade Hispania S.A.**

Carrer 5 Sector C  
Zona Franca Duanera  
Poligono de la Zon Franca  
08040 Barcelona, Spain  
Office No. 256  
Tel: 93-264-07-30  
FAX: 93-264-07-31

**Cascade Japan Ltd.**

5-5-41,  
Torikai Kami  
Settsu, Osaka  
Japan, 566  
Tel: 81-726-53-3490  
FAX: 81-726-53-3497

**Cascade Korea**

108B, Namdong Ind Complex  
658-3 Gojan-Dong  
Namdong-Gu  
Inchon, 405-310 Korea  
Tel: 82-32-821-2051  
FAX: 82-32-821-2055

**Cascade Australia**

1445 Ipswich Road  
Rocklea, QLD 4106  
Australia  
Tel: 1-800227-223  
FAX: (07) 3373-7333

**Cascade New Zealand**

15 Ra Ora Drive  
East Tamaki, Auckland  
New Zealand  
Tel: 9-273-9136  
FAX: 9-273-9137

**Cascade (Africa) Pty. Ltd.**

P.O. Box 625, Isando 1600  
60A Steel Road  
Sparton, Kempton Park  
South Africa  
Tel: 27-11-975-9240  
FAX: 27-11-394-1147

**Cascade-Xiamen**

No. 668 Yangguant Rd.  
Xinyang Industry Zone  
Haicant, Xiamen City  
Fujian Province  
P.R. China 361026  
Tel: 86-592-651-2500  
FAX: 86-592-651-2571

**Cascade (Singapore)  
Trading Co.**

Four Seasons Park  
Autumn Block - Apt. 1802  
12 Cuscaden Walk  
Singapore  
Tel: 65-834-1935  
FAX: 65-834-1936

