



Parts Manual

Model Single-Double Pallet Handler

Catalog Number 50D-ES-243

cascade®
corporation

For Technical Assistance call: 800-227-2233, Fax: 888-329-8207

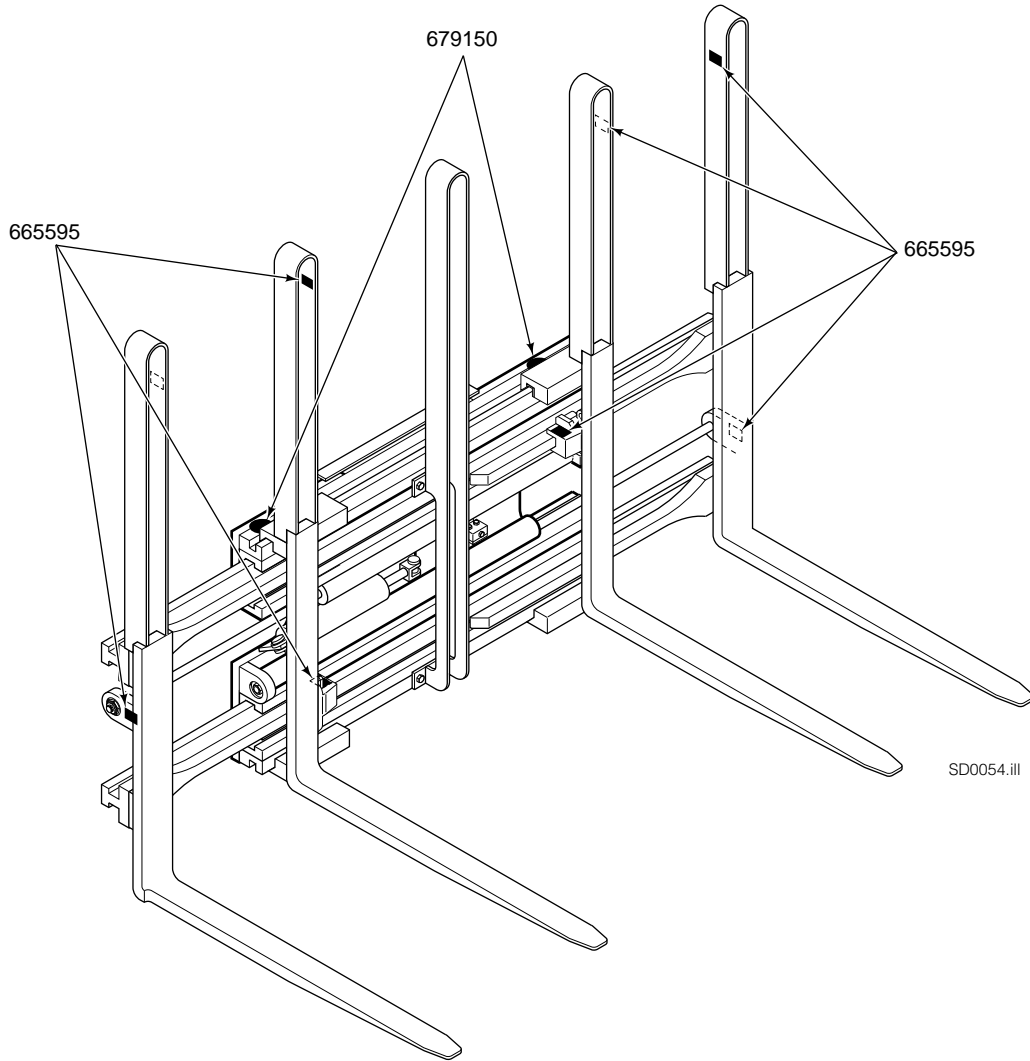
To Order Parts call: 888-227-2233, Fax: 888-329-0234

OR

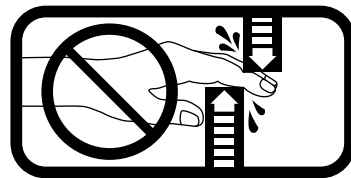
Write: Cascade Corporation, P.O. Box 20187, Portland, OR 97220

Internet: www.cascorp.com

Safety Decals

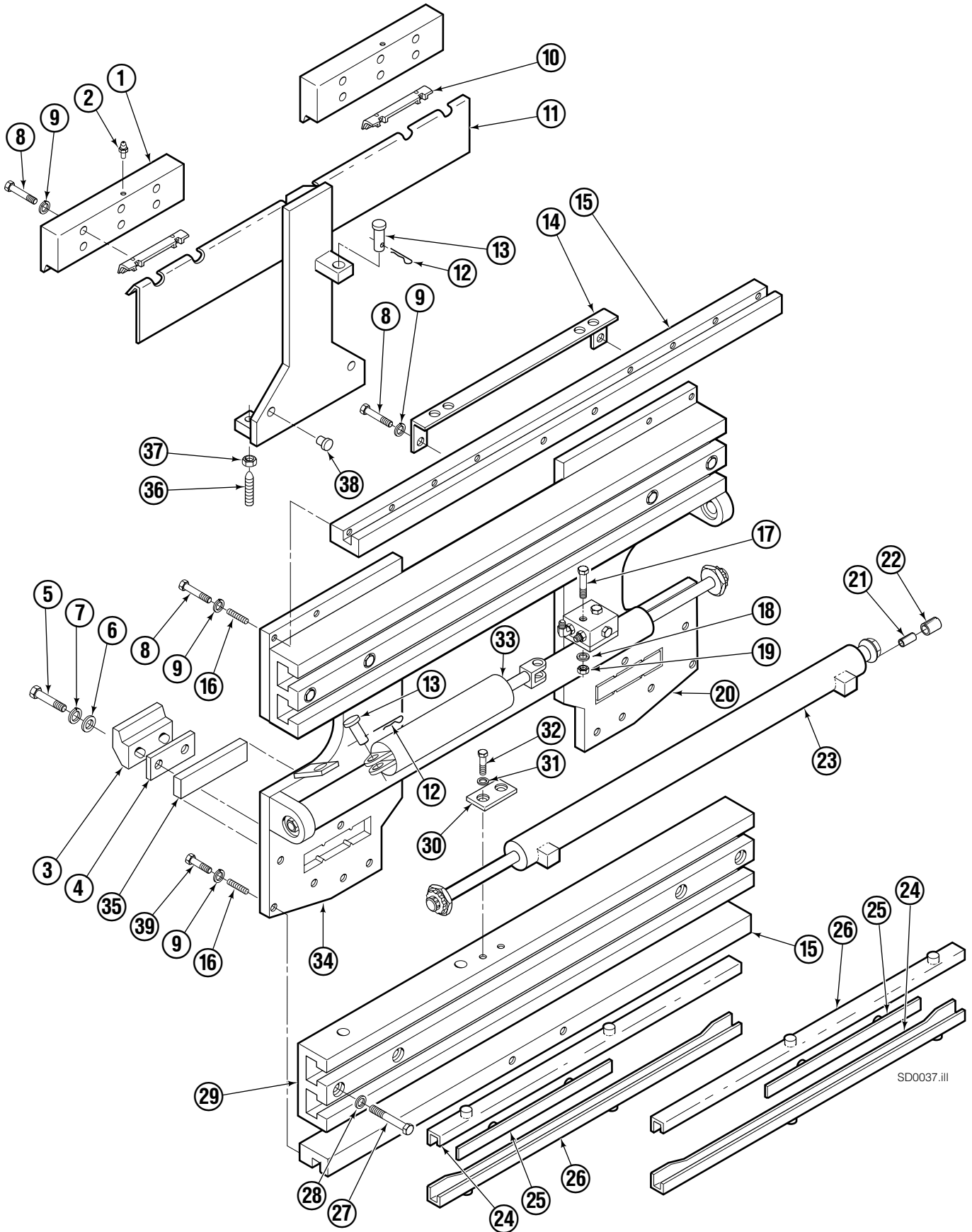


Part No. 679150
(1 Place & 1 Optional)



Part No. 665595
(2 Place & 2 Optional)

Base Unit and Mounting ITA Class II



SD0037.III

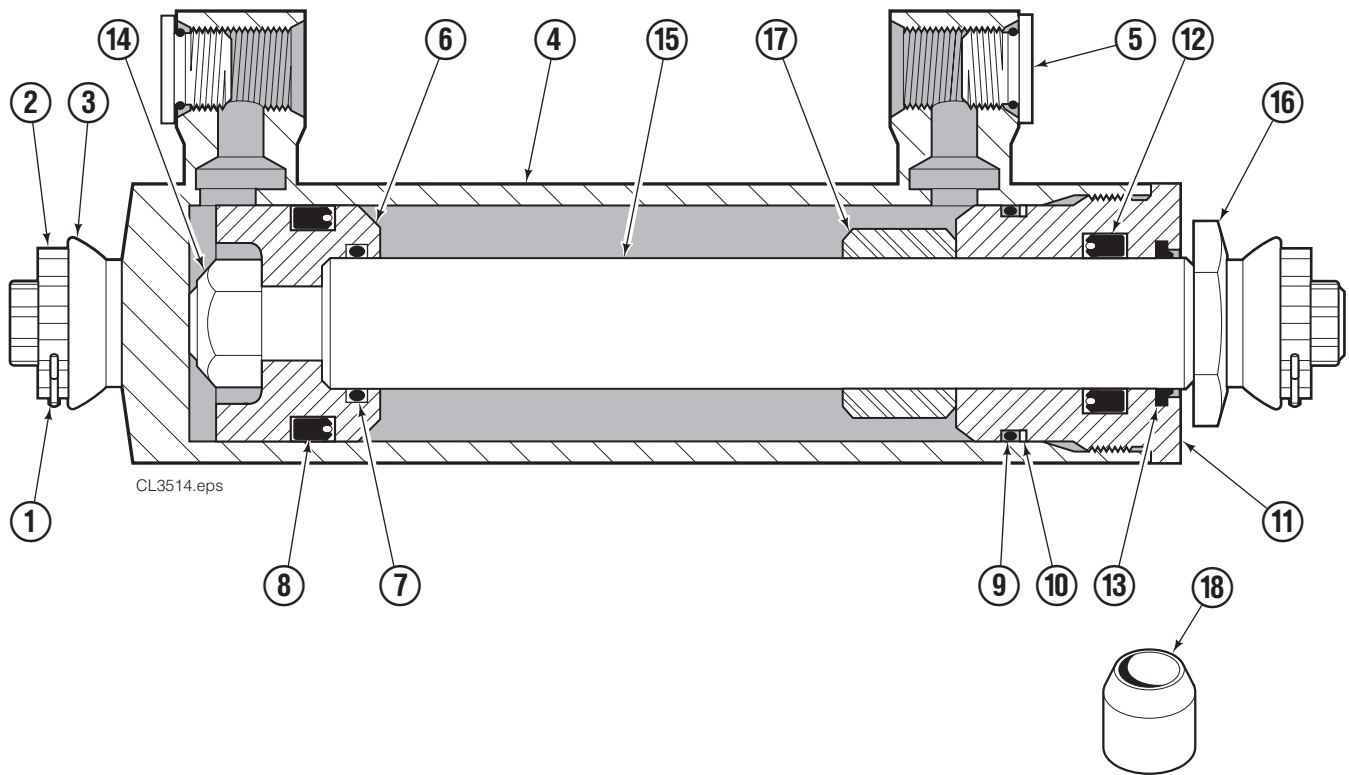
Base Unit and Mounting ITA Class II

50D							
REF	QTY	PART NO.	DESCRIPTION	REF	QTY	PART NO.	DESCRIPTION
		378174	Base Unit Group	19	2	6097	Nut
		378178	Common Parts Group	20	1	378176	Mounting Plate-LH
		204275	Mounting Group	21	2	7962	Roll Pin
1	2	204211	Upper Hook	22	2	7861	Roll Pin
2	2	7403	Grease Fitting	■23	2	204200	Cylinder
3	2	675968	Lower Hook	24	4	208857	Bearing
4	2	204213	Spacer	25	4	208858	Bearing
5	4	667808	Capscrew, 5/8NCx2.0GR8	26	4	667663	Bearing
6	4	667225	Washer	27	8	667909	Capscrew, 1/2NCx3.0
7	4	6292	Lockwasher	28	8	667910	Washer
8	20	643539	Capscrew, 1/2NCx1.75GR8	29	2	378177	Frame
9	30	6290	Lockwasher, 1/2	30	2	211267	Stop
10	2	671165	Bearing	31	4	6288	Lockwasher, 3/8
11	1	204201	Anchor	32	4	629516	Capscrew, 3/8NCx1.0
12	2	672726	Cotter Pin	◆33	1	675548	Sideshift Cylinder
13	2	678525	Pin	34	1	378175	Mounting Plate-RH
14	1	205227	Bracket	35	2	204212	Lower Bearing
15	2	205222	Channel	36	2	5027	Setscrew
16	4	205324	Spring Pin	37	2	5932	Nut
17	2	3559	Capscrew, 1/4NCx2.0GR5	38	2	200762	Thrust Plug
18	2	6201	Washer, 1/4	39	6	643538	Capscrew, 1/2NCx1.50GR8

■ See Cylinder page for parts breakdown.

◆ See Sideshift Cylinder page for parts breakdown.

Cylinder Assembly



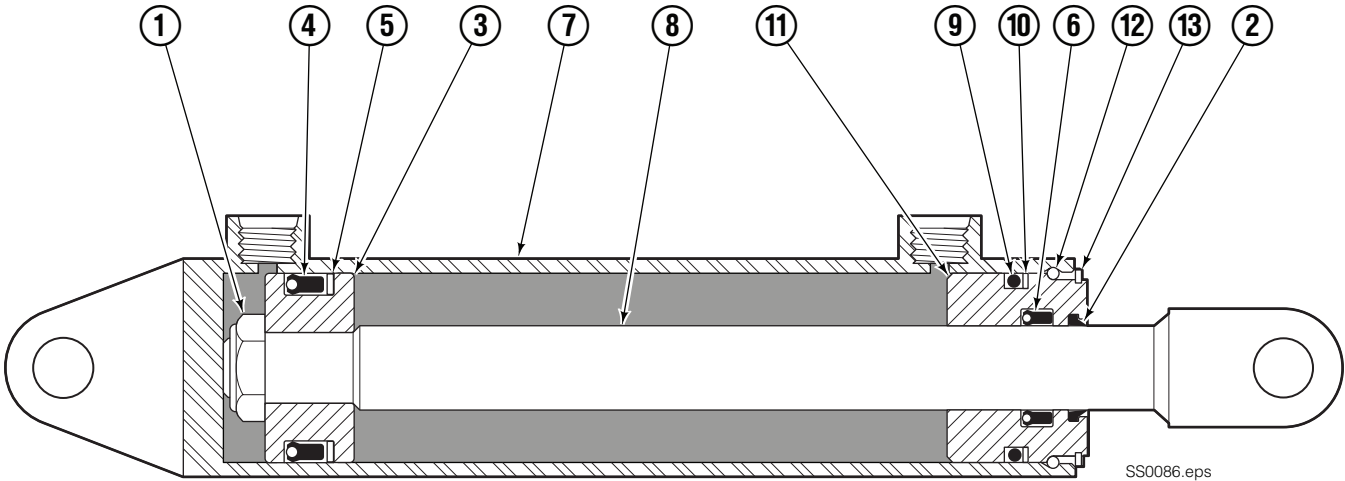
REF	QTY	PART NO.	DESCRIPTION
		204200	Cylinder Assembly
1	2	6510	■ Cotter Pin
2	2	667624	■ Nut Retainer
3	2	667625	■ Nut
4	1	559662	Shell
5	2	602580	Fitting
6	1	559702	Piston
7	1	2716	▲ O-Ring
8	1	662450	▲ Seal
9	1	2722	▲ O-Ring
10	1	615126	▲ Back-Up Ring
11	1	413799	Retainer
12	1	662448	▲ Seal
13	1	636853	▲ Wiper
14	1	667623	Nut
15	1	416991	Rod
16	1	667626	Washer
17	1	-	Spacer
18	1	671051	▲ Seal Loader, Retainer
		560729	Service Kit

■ Included in Nut Service Kit 668926.

▲ Included in Service Kit 560729.

Reference: ST-0283, ST-0284.

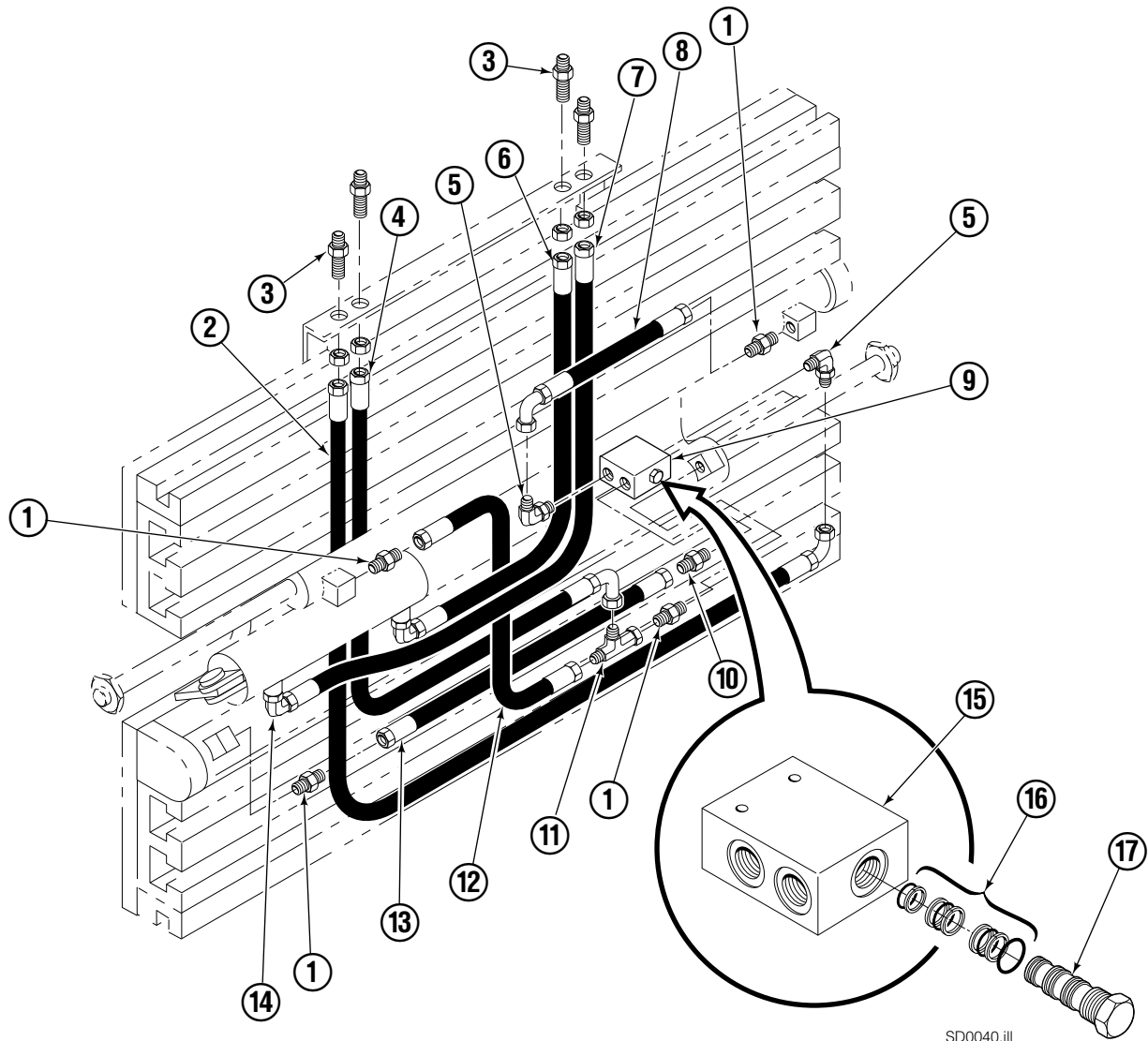
Sideshift Cylinder



REF	QTY	PART NO.	DESCRIPTION
		675548	Cylinder Assembly
1	1	553857	Nut
2	1	636851	■ Wiper
3	1	553501	Piston
4	1	662452	■ Seal
5	1	638247	■ Back-up Ring
6	1	641835	■ Seal
7	1	675549	Shell
8	1	553499	Rod
9	1	2785	■ O-Ring
10	1	615128	■ Back-up Ring
11	1	553500	Retainer
12	1	553856	Retaining Ring
13	1	7202	Retaining Ring
		553861	Service Kit

■ Included in Service Kit 553861.

Hydraulics



SD0040.ill

50D			
REF	QTY	PART NO.	DESCRIPTION
1	4	611288	Fitting, 6-8
2	1	205226	Hose
3	4	2375	Fitting, 6-6
4	1	378352	Hose
5	2	601676	Fitting, 6-6
6	1	205224	Hose
7	1	205223	Hose
8	1	673167	Hose
■ 9	1	204223	Valve Assembly
10	2	604511	Fitting, 6-6
11	1	611329	Fitting, 6-6
12	1	688697	Hose
13	1	686472	Hose
14	2	666984	Fitting, 4-6
15	1	204222	Valve Body
16	1	204951	Service Kit
17	1	201527	Valve Cartridge

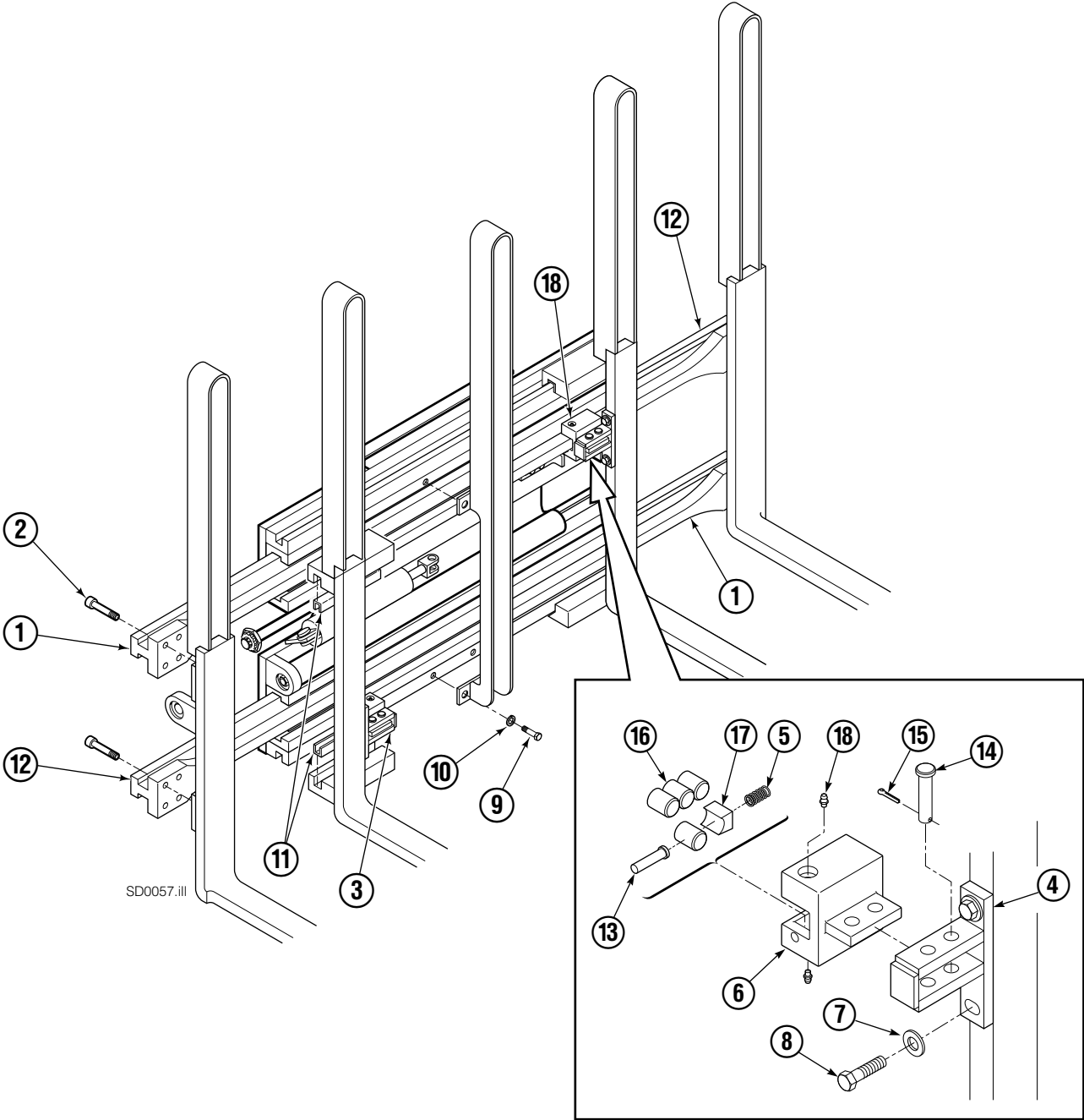
■ Includes items 15-17.

378174 Base Unit Group
378178 Common Parts Group

cascade®

For Technical Assistance and to Order Parts call:
1-800-CAS-CADE (227-2233) or 503-669-6300, FAX: 503-669-6338

Arm Group



SD0057.iii

Arm Group

50D			
REF	QTY	PART NO.	DESCRIPTION
		378169	Arm Group
1	2	378170	Arm Bar
2	16	607103	Capscrew, 3/4NCx1.50 GR8
3	1	211272	Roller Assembly R.H.
3	1	211277	Roller Assembly L.H.
■ 4	2	209410	Anchor Plate
■ 5	1	211729	Spring
■ 6	1	211271	Housing
7	4	6455	Washer
8	4	4506	Capscrew
9	4	633801	Capscrew
10	4	6455	Washer
11	4	209654	Bearing
12	2	378173	Arm Bar
■ 13	1	209433	Pin
■ 14	2	674265	Clevis Pin
■ 15	2	6524	Cotter Pin
■ 16	4	209430	Rod-Roller
■ 17	1	209431	Spring Keeper
■ 18	2	211270	Grease Fitting

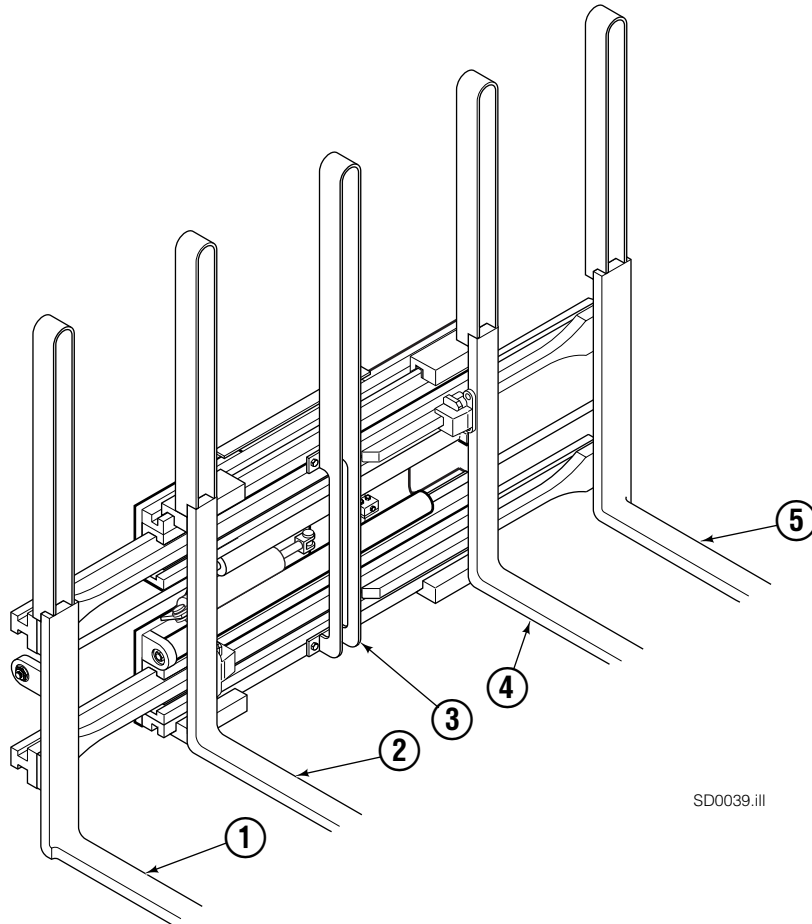
■ Included in Roller Assembly (Item 3).

Reference:

378174 Base Unit Group

378178 Common Parts Group

Fork and Backrest Group Loop Backrest

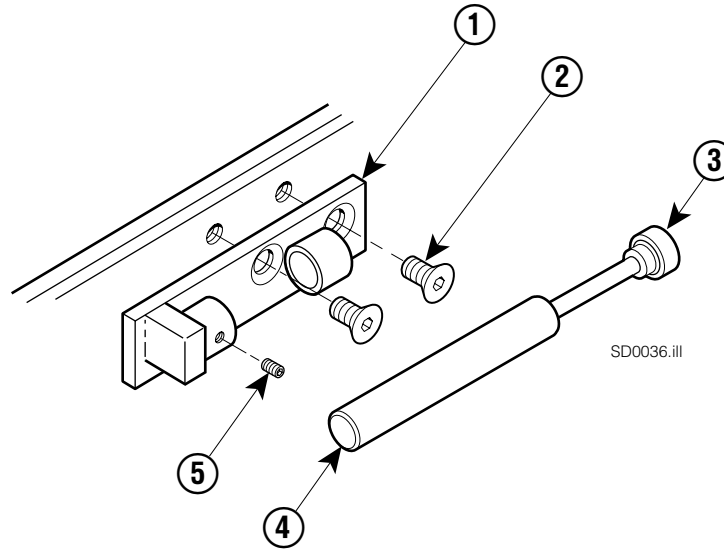


SD0039.ill

50D			
REF	QTY	48"x 48"■ PART NO.	DESCRIPTION
		204303	Fork and Backrest Group
1	1	204305	Outer Fork-RH
2	1	204300	Inner Fork-RH
3	1	204260	Center Backrest
4	1	204299	Inner Fork-LH
5	1	204304	Outer Fork-LH

■ Fork length x backrest height.

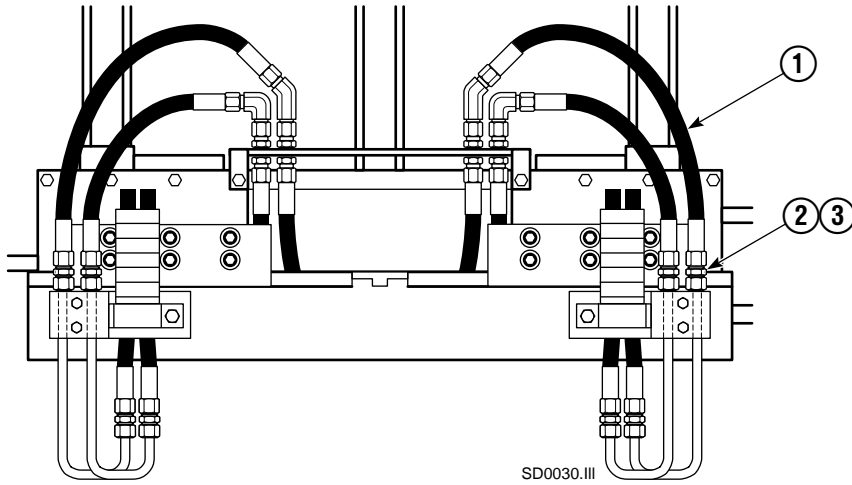
Actuator Assembly



REF	QTY	PART NO.	DESCRIPTION
		211255	Actuator Assembly
1	1	211918	Actuator Bracket – LH
	1	211919	Actuator Bracket – RH
2	2	211728	Gas Spring
3	2	212385	Rod End
4	2	5134	Setscrew
5	4	4750	Capscrew, .375 x .75

Reference: LH Assembly 211916, RH Assembly 211917.

Installation Kit



REF	QTY	PART NO.	DESCRIPTION
		205854	Installation Kit
1	4	2161	Hose
2	4	2347	Fitting, 6-6
3	4	674294	Fitting, 6-8

Do you have questions you need answered right now?

Call your nearest Cascade Parts Department.

Visit us online at www.cascorp.com

AMERICAS

**Cascade Corporation
Parts Sales**

2501 Sheridan Ave.
Springfield, OH 45505
Tel: 888-CASCADE (227-2233)
Fax: 888-329-0234

Cascade Canada Inc.

5570 Timberlea Blvd.
Mississauga, Ontario
Canada L4W-4M6
Tel: 905-629-7777
Fax: 905-629-7785

Cascade do Brasil

Rua João Guerra, 134
Macuco, Santos - SP
Brasil 11015-130
Tel: 55-13-2105-8800
Fax: 55-13-2105-8899

EUROPE-AFRICA

**Cascade Italia S.R.L.
European Headquarters**

Via Dell'Artigianato 1
37030 Vago di Lavagno (VR)
Italy
Tel: 39-045-8989111
Fax: 39-045-8989160

Cascade (Africa) Pty. Ltd.

PO Box 625, Isando 1600
60A Steel Road
Sparton, Kempton Park
South Africa
Tel: 27-11-975-9240
Fax: 27-11-394-1147

ASIA-PACIFIC

Cascade Japan Ltd.

2-23, 2-Chome,
Kukuchi Nishimachi
Amagasaki, Hyogo
Japan, 661-0978
Tel: 81-6-6420-9771
Fax: 81-6-6420-9777

Cascade Korea

121B 9L Namdong Ind.
Complex, 691-8 Gojan-Dong
Namdong-Ku
Inchon, Korea
Tel: +82-32-821-2051
Fax: +82-32-821-2055

Cascade-Xiamen

No. 668 Yangguang Rd.
Xinyang Industrial Zone
Haicang, Xiamen City
Fujian Province
P.R. China 361026
Tel: 86-592-651-2500
Fax: 86-592-651-2571

**Cascade India Material
Handling Private Limited**

No 34, Global Trade Centre
1/1 Rambaugh Colony
Lal Bahadur Shastri Road,
Navi Peth, Pune 411 030
(Maharashtra) India
Phone: +91 020 2432 5490
Fax: +91 020 2433 0881

Cascade Australia Pty. Ltd.

1445 Ipswich Road
Rocklea, QLD 4107
Australia
Tel: 1-800-227-223
Fax: +61 7 3373-7333

Cascade New Zealand

15 Ra Ora Drive
East Tamaki, Auckland
New Zealand
Tel: +64-9-273-9136
Fax: +64-9-273-9137

**Sunstream Industries
Pte. Ltd.**

18 Tuas South Street 5
Singapore 637796
Tel: +65-6795-7555
Fax: +65-6863-1368

