



Parts Manual

Model _____ **Load Stabilizer**

Serial Number _____ **35E-IS-095**

cascade[®]

For Technical Assistance call: 800-227-2233, Fax: 888-329-8207

To Order Parts call: 888-227-2233, Fax: 888-329-0234

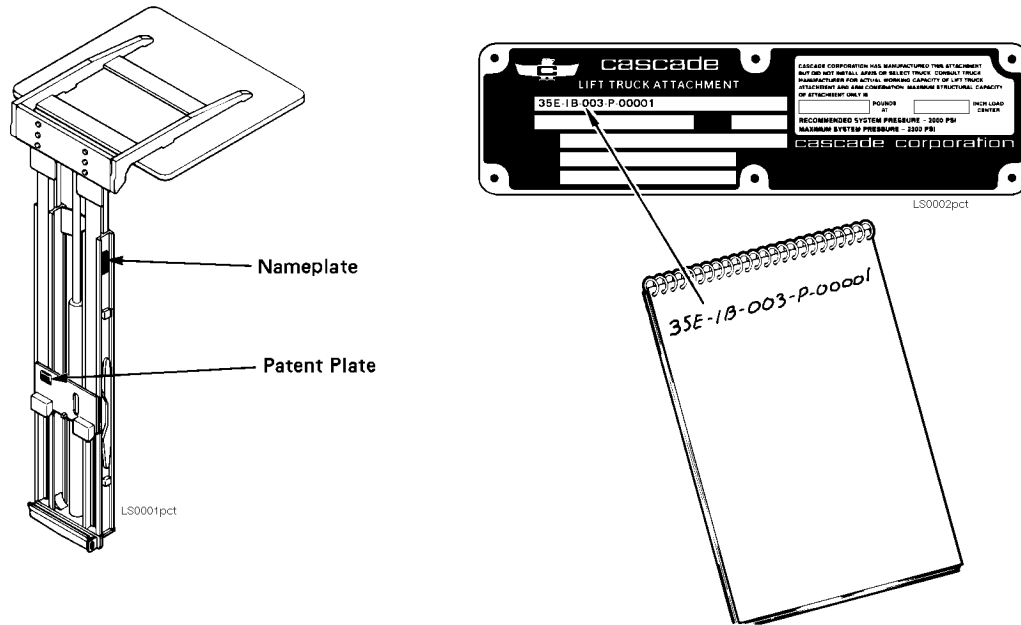
OR

Write: Cascade Corporation, P.O. Box 20187, Portland, OR 97220

About This Manual

Introduction

This manual shows the parts breakdown for specific 35E Load Stabilizer serial numbers. To find the correct pages for your attachment, locate the nameplate on the left side near the top of the frame. If the nameplate is missing all necessary information is stamped into the frame at the same location. Locate your serial number on the following pages. To the right of the serial number you will find the page numbers that apply to your unit.



Ordering Parts

Customers – Cascade parts, service literature and videos are available through authorized lift truck dealers. To order, contact the lift truck dealer of your choice.

Lift Truck Dealers – To order parts, service literature or videos contact:

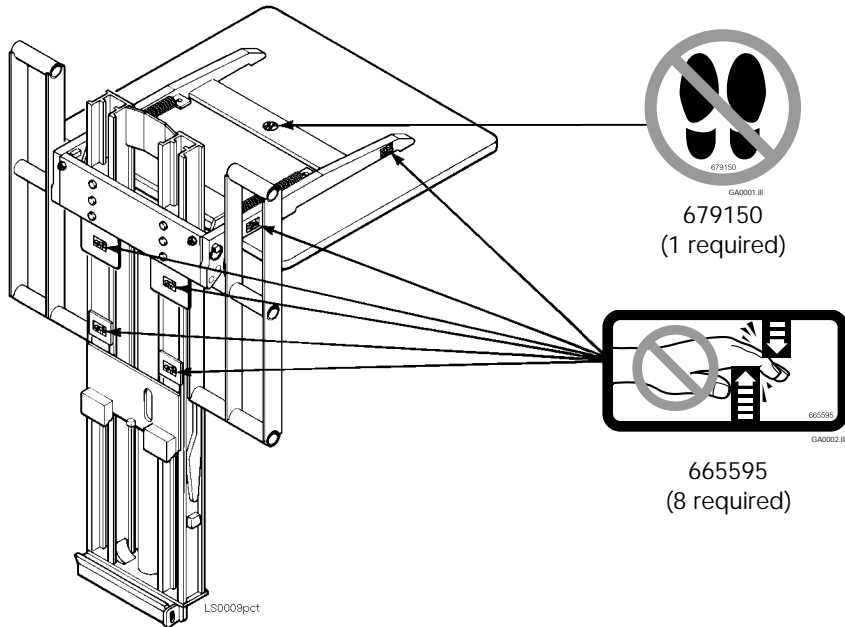
Cascade Parts Depot
2501 Sheridan Avenue
P. O. Box 360
Springfield, Ohio 45505
Telephone: 888-227-2233
FAX: 888-329-8207



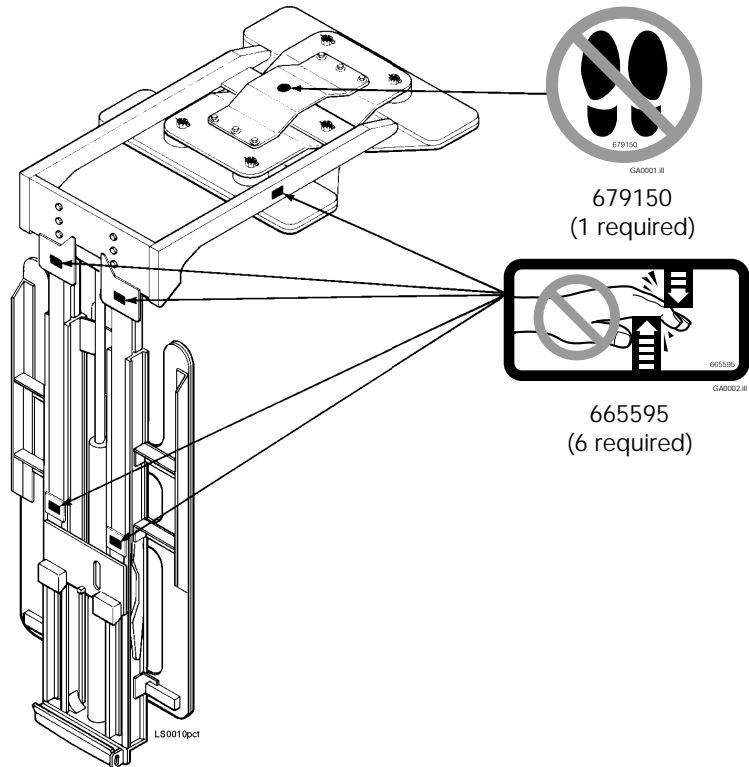
WARNING: For the safety of yourself and others, DO NOT install the parts shown in this manual unless you have thoroughly reviewed the appropriate service manual.

Decals

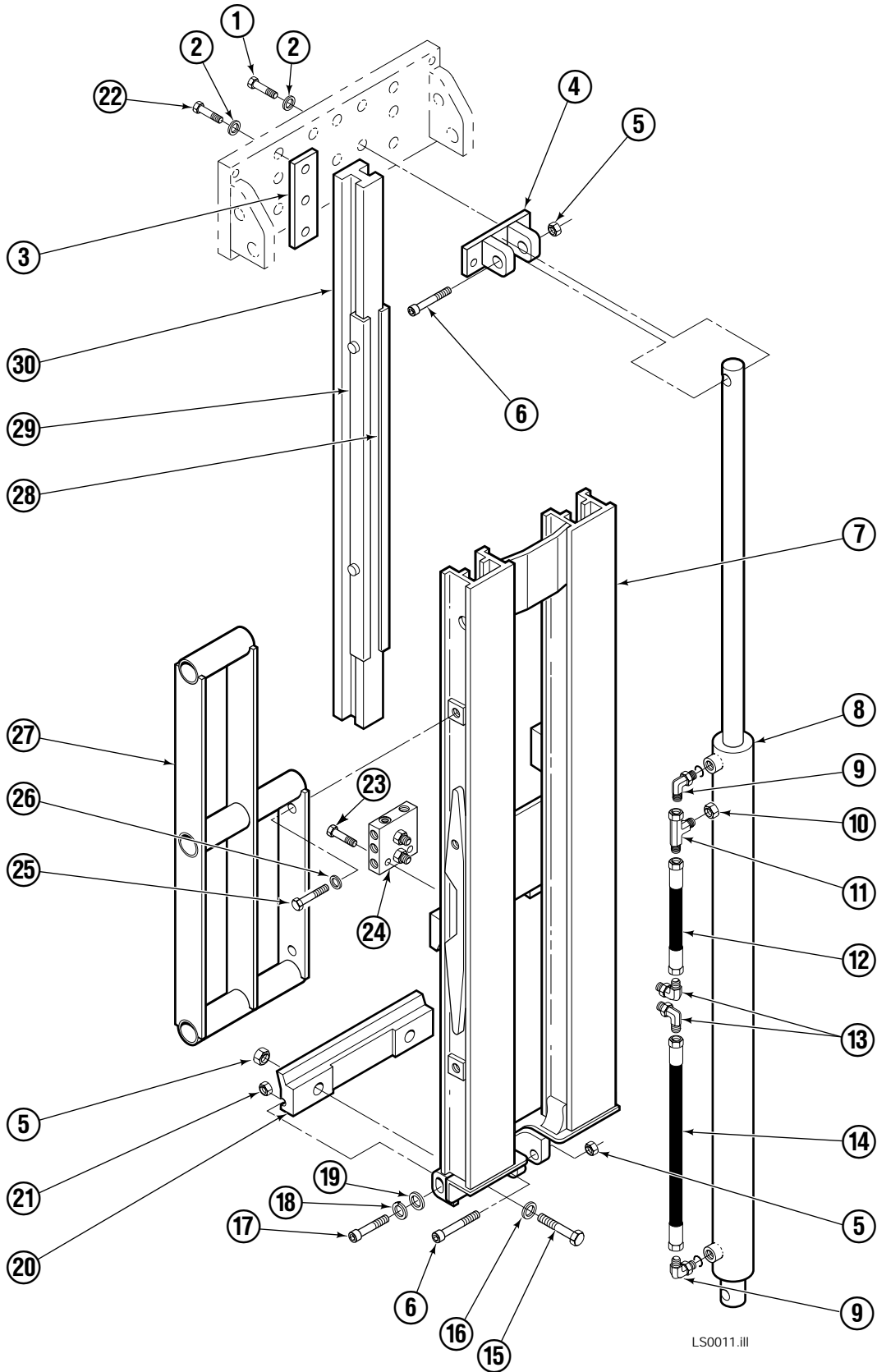
Load Stabilizer



Bottled Water Load Stabilizer



Frame Group



LS0011.iii

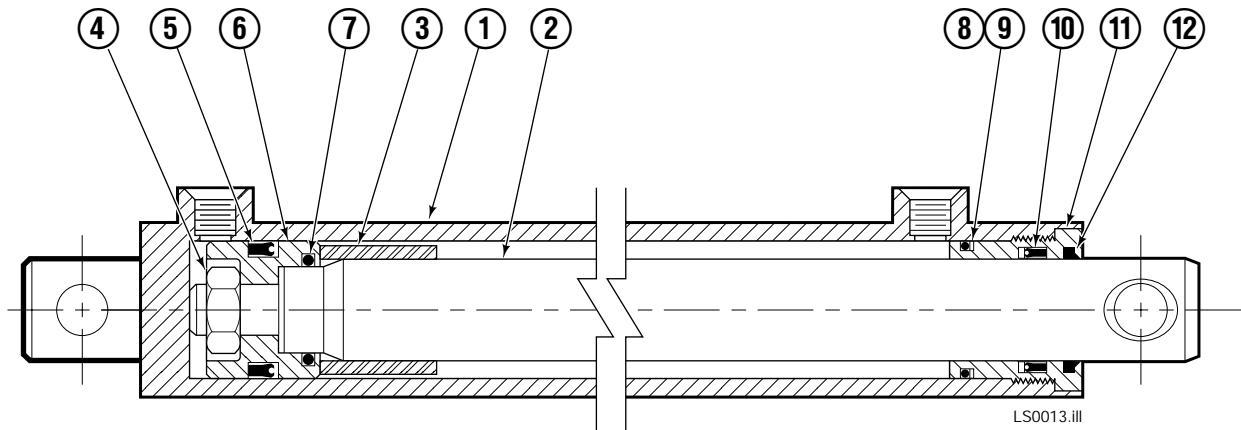
Frame Group

35E			
REF	QTY	PART NO.	DESCRIPTION
1	3	206478	Capscrew, M10x1.5x30-10,9
2	9	201570	Washer
3	2	201956	Shim
4	1	201976	Cylinder Clevis
5	4	678990	Nut
6	2	211250	Capscrew
7	1	202129	Frame – 45"-84" Opening Range
8	1	◆ 582490	Cylinder – 42"-84" Opening Range
9	2	601676	Fitting, 6-6
10	1	2645	Fitting, 6
11	1	611329	Fitting, 6-6
12	1	675058	Hose – 42"-84" Opening Range
13	2	2680	Fitting, 6-6
14	1	206880	Hose
15	2	689997	Capscrew, M16x2x45-8.8
16	2	667225	Washer
17	1	201568	Capscrew
18	1	680253	Lockwasher, M8
19	1	205349	Washer
20	1	202049	Lower Hook
21	1	767414	Nut, M8
22	8	209684	Capscrew, M10x1.5x55-10,9
23	2	768795	Capscrew
24	1	■ 202047	Valve Assembly
25	4	766154	Capscrew
26	4	211179	Washer
27	2	202328	Backrest – 45"-84" Opening Range
28	2	668910	Bearing
29	2	668911	Bearing
30	2	202055	Arm Bar – 42"-84" Opening Range

◆ See Cylinder page for parts breakdown.

■ See Valve page for parts breakdown.

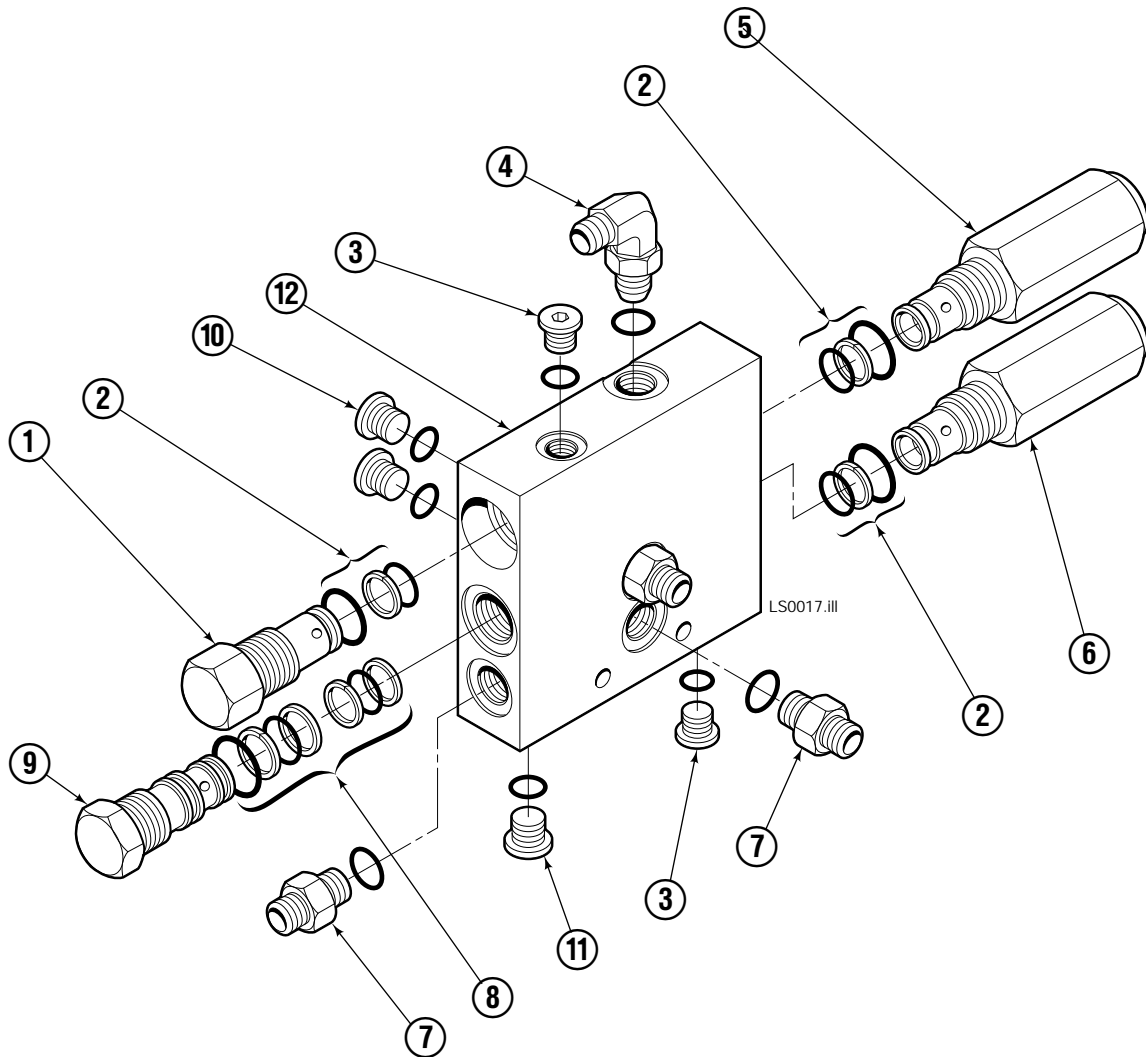
Load Stabilizer Cylinder



35E			
REF	QTY	PART NO.	DESCRIPTION
		582490	Cylinder Assembly
1	1	562298	Shell
2	1	562299	Rod
3	1	-	Spacer
4	1	667623	Nut
5	1	■ 557598	Piston Seal
6	1	559702	Piston
7	1	■ 2716	O-Ring
8	1	■ 2722	O-Ring
9	1	■ 615126	Back-Up Ring
10	1	■ 663728	Rod Seal
11	1	562300	Retainer
12	1	■ 626468	Wiper
		562447	Service Kit

■ Included in Service Kit 562447.

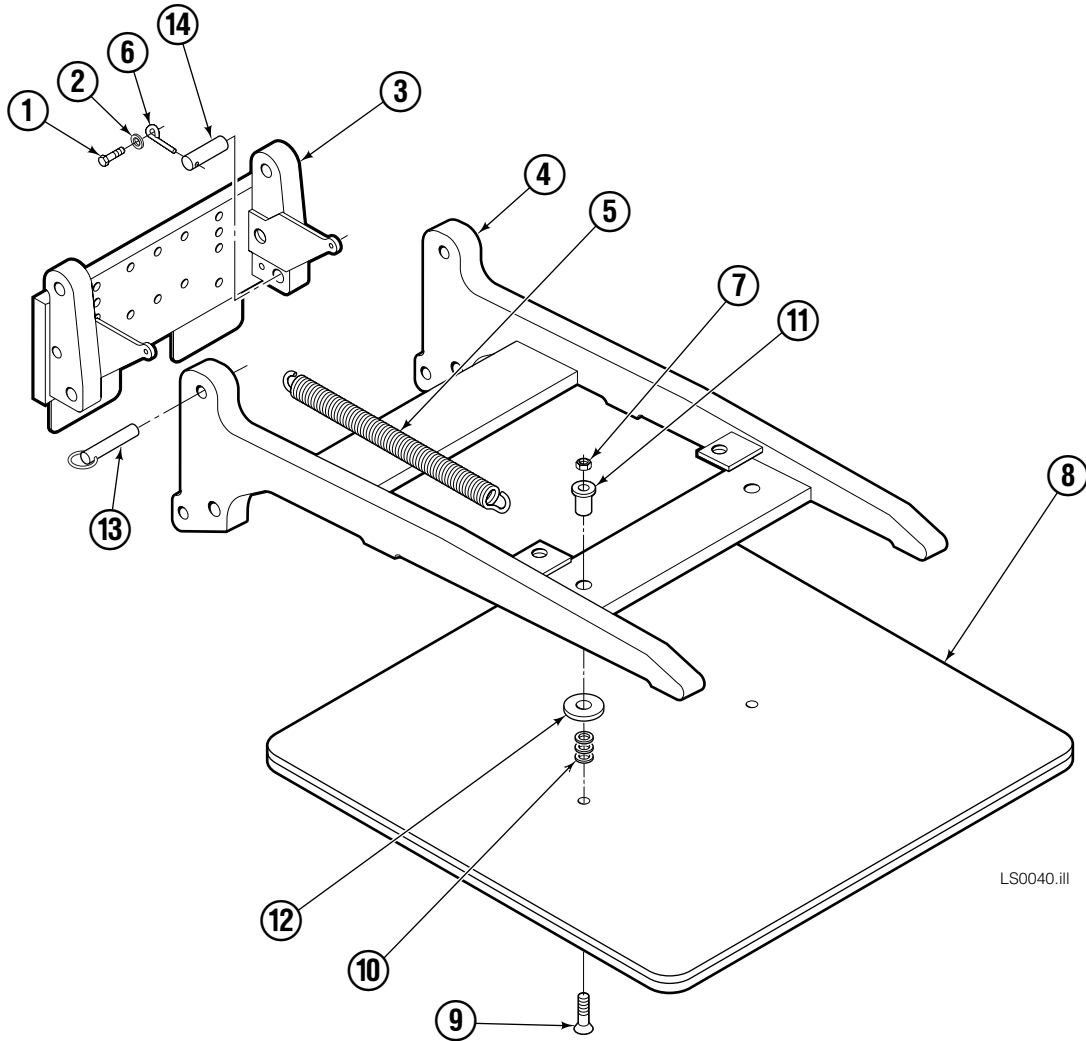
Valve Assembly



35E

REF	QTY	PART NO.	DESCRIPTION
		202047	Valve Assembly
1	1	682168	Valve Cartridge
2	3	682170	Service Kit
3	2	663694	Plug, 3
4	1	601676	Fitting, 6-6
5	1	201566	Valve Cartridge - Adjustable Relief
6	1	201565	Valve Cartridge - Fixed Relief
7	3	604511	Fitting, 6-6
8	1	204424	Service Kit
9	1	201564	Valve Cartridge - P. O. Check
10	2	604510	Plug, 6
11	1	609234	Plug, 4
12	1	202125	Valve Body

Fold Down Arm Group



LS0040.iii

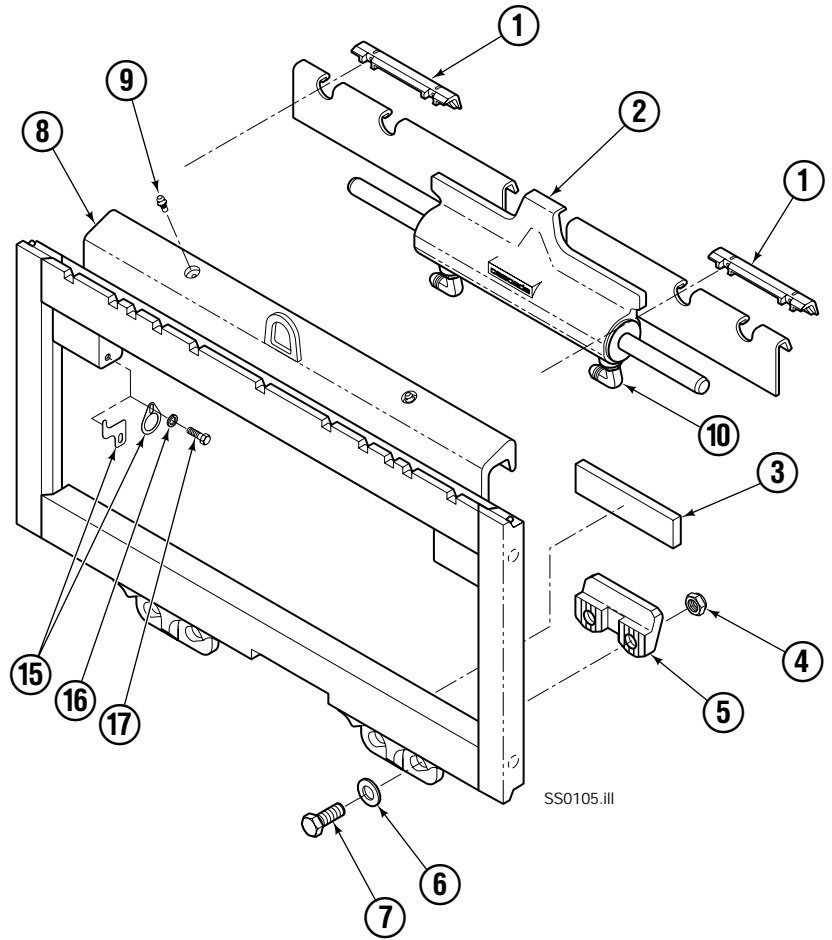
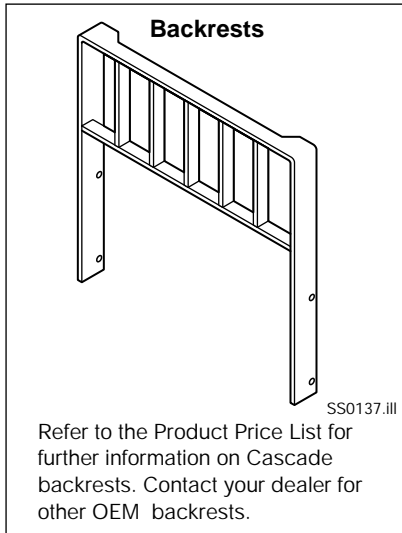
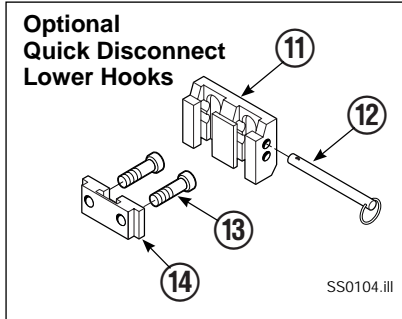
35E			
REF	QTY	PART NO.	DESCRIPTION
		202337	Arm Group
1	2	695661	Capscrew, M8 x 14
2	2	6229	Nut, M8
3	1	201992	Carrier
4	1	202256	Arm
5	2	201965	Spring
6	2	682999	Eye Pin
7	2	205979	Nut, M12 ▲
8	1	201978	Contact Pad, 36 in. x 36 in.
9	2	768709	Capscrew ▲
10	6	202251	Washer, M12 ▲
11	2	205976	Sleeve ▲
12	2	202145	Washer, Rubber ▲
13	2	201966	Pin
14	2	205822	Clevis Pin
		205980	Service Kit

▲ Included in Service Kit 205980.

Reference: Common Parts: 201962; 374272.
S-3761.

PARTS

Base Unit

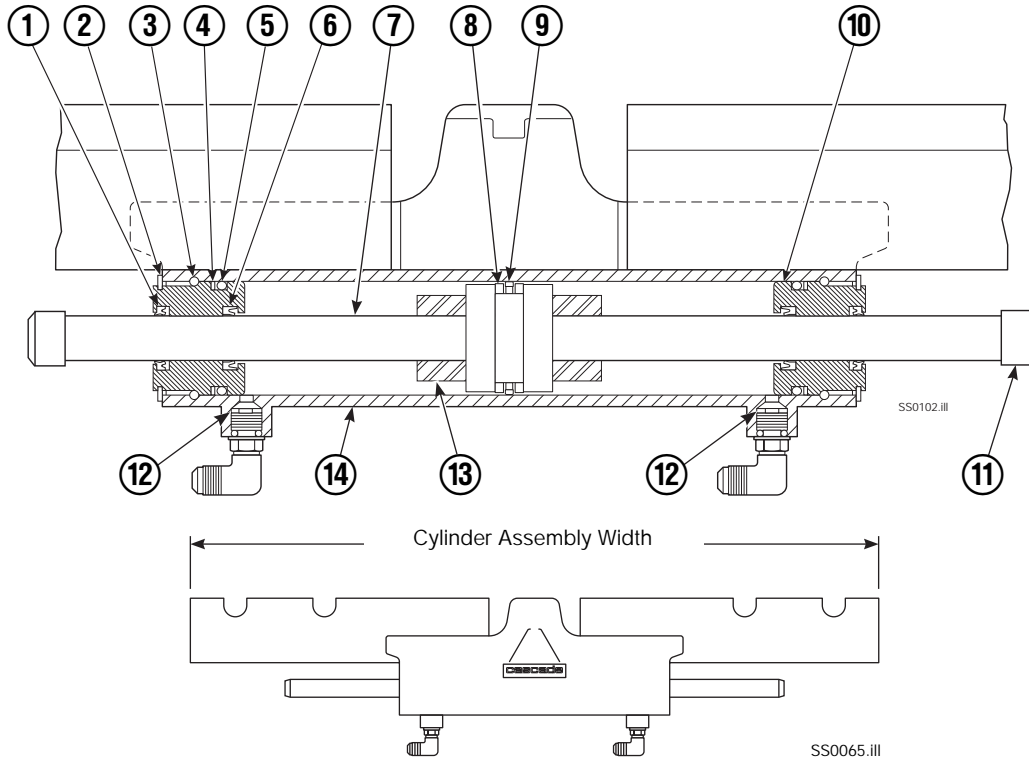


REF	QTY	55E PART NO.	60E/100E PART NO.	DESCRIPTION
1	▼	204187	672018	Upper Bearing
2	1	■	■	Cylinder
3	▼	—	208350	Lower Bearing
3	▼	208387	—	Lower Bearing, 12 mm ◆
3	▼	204188	—	Lower Bearing, 15 mm ◆
3	▼	207209	—	Lower Bearing, 19 mm ◆
★ 4	4	553857	553857	Nut, 5/8NC GR5
★ 5	2	204186	204186	Lower Hook
★ 6	4	667225	667225	Washer
★ 7	4	639121	639121	Capscrew, 5/8NCx1.50 GR5
8	1	●	●	Frame
9	▼	7403	7403	Zerk Fitting
10	2	601676	601676	Fitting, JIC 6-6
10	2	667222	667222	Fitting, JIC 5-6
10	2	666984	666984	Fitting, JIC 4-6
10	2	211807	211807	Fitting, Face Seal Adpt 4-6
11	2	675514	675957	Hook
12	2	678832	678832	Pin
13	4	683182	779019	Capscrew
14	2	675515	675958	Guide
15	2	205857	208355	Retainer
16	2	680253	202346	Washer
17	2	765329	763169	Capscrew

- ◆ **NOTE:** Sideshifter serial numbers 55E-SS-001 through 147 use 12 mm thick lower bearings or optional 15 mm thick bearings. Serial numbers 55E-SS-148 and higher use 19 mm thick lower bearings.
 - If frame needs replacing, order complete sideshift assembly.
 - ★ Included in Lower Hook Service Kit 204182.
 - See Cylinder page for parts breakdown.
 - ▼ Quantity as required.
- Reference: S-3816, S-6015, S-6038.

PARTS

Cylinder



REF	QTY	55E PART NO.	60E PART NO.	100E PART NO.	DESCRIPTION
		205848	—	—	Cylinder Assembly, 24.4 in. (620 mm) wide
		205840	—	—	Cylinder Assembly, 26.2 in. (665 mm) wide
		205841	—	—	Cylinder Assembly, 28.9 in. (735 mm) wide
		205842	—	—	Cylinder Assembly, 31.9 in. (810 mm) wide
		—	583970	—	Cylinder Assembly, 34.1 in. (865 mm) wide
		205845	—	—	Cylinder Assembly, 35.2 in. (895 mm) wide
		—	583971	584001	Cylinder Assembly, 36.0 in. (915 mm) wide
		205847	—	—	Cylinder Assembly, 38.3 in. (975 mm) wide
		205843	—	—	Cylinder Assembly, 40.1 in. (1040 mm) wide
		—	583972	584002	Cylinder Assembly, 40.2 in. (1020 mm) wide
		205846	—	—	Cylinder Assembly, 45.1 in. (1145 mm) wide
		—	583973	—	Cylinder Assembly, 48.0 in. (1220 mm) wide
		—	—	584003	Cylinder Assembly, 48.1 in. (1220 mm) wide
		206370	—	—	Cylinder Assembly, 48.8 in. (1240 mm) wide
		205844	—	—	Cylinder Assembly, 52.0 in. (1320 mm) wide
		—	—	584004	Cylinder Assembly, 55.2 in. (1400 mm) wide
●1	2	562131	562131	564408	Wiper Seal
2	2	562951	562951	3154	Snap Ring
3	2	562942	562942	564403	Retaining Ring
●4	2	—	—	615131	Back-Up Ring
●5	2	218228	218228	2789	O-Ring
●6	2	562132	562132	564406	Rod Seal
7	1	562055	562055	564401	Rod/Piston Assembly
●8	2	563278	563278	564404	Bearing Ring
●9	1	564141	564141	564407	Piston Seal
10	2	562792	562792	564402	Retainer
●11	2	208378	208378	—	Rod End Cap
12	2	564226	564226	564226	Speed Control Washer
13	2	—	—	—	Spacer
14	—	■	■	■	Cylinder Shell
		563487	563487	564409	Service Kit

● Included in Service Kits 563487 (55E & 60E) and 564409 (100E).

■ Not serviceable, order new cylinder assembly. Reference: S-3816, S-4019, S-4060, S-6105.

Do you have questions you need answered right now? Call your nearest Cascade Parts Department.

Cascade Corporation
2501 Sheridan Avenue
Springfield, OH 45505
Tel: 888-CASCADE (227-2233)
FAX: 888-329-0234

Cascade Canada Inc.
5570 Timberlea Blvd.
Mississauga, Ontario
Canada L4W-4M6
Tel: 905-629-7777
FAX: 905-629-7785

Cascade GmbH
D-41199 Monchengladbach
Klosterhofweg 52
Germany
Tel: 21-66-602091
FAX: 21-66-680947

Cascade Finland
01370 Vantas
Finland
Tel: 358-0-836-1925
FAX: 358-0-836-1935

**Cascade N.V.
European Headquarters**
P.O. Box 3009
1300 El Almere
Damsluisweg 56
1332 ED Almere
The Netherlands
Tel: 31-36-5492911
FAX: 31-36-5492964

**Cascade N.V.
Benelux Sales and Service**
P.O. Box 3009
1300 El Almere
Damsluisweg 56
1332 ED Almere
The Netherlands
Tel: 31-36-5492950
FAX: 31-36-5492974

Cascade (UK) Ltd.
15, Orgreave Crescent
Dore House Industrial Estate
Handsworth
Sheffield S13 9NQ
England
Tel: 742-697524
FAX: 742-695121

**Cascade Scandinavia
Hydraulik A.B.**
Muskötgatan 19, E8-9
S25466 Helsingborg
Sweden
Tel: 42-151135
FAX: 42-152997

Cascade Norway
Østerliveien 37A
1153 Oslo
Norway
Tel: 47-22-743160
FAX: 47-22-743157

Cascade France S.A.R.L.
11, Rue Jean Charcot
Zone Industrielle Sud or
B.P. 22
91421 Morangis Cedex
France
Tel: 1- 64547501
FAX: 1-9790584

Cascade Hispania S.A.
Avenida De La Fabregada, 7
Hospitalet De Llobregat
Barcelona
Spain
Tel: 3-335-5158
FAX: 3-335-4756

Cascade Japan Ltd.
5-5-41,
Torikai Kami
Settsu, Osaka
Japan, 566
Tel: 81-726-53-3490
FAX: 81-726-53-3497

Cascade Korea
Room 508, Pum Yang Bldg.
750-14, Bang Bac-Dong
Se-Cho Ku, Seoul
Korea
Tel: 2599-7131 ext. 512
FAX: 2533-8089

HYCO-Cascade Pty. Ltd.
1445 Ipswich Road
Rocklea,
Queensland 4107
Australia
Tel: 3-274-2722
FAX: 3-274-3456

HYCO-Cascade (NZ) Ltd.
15 Ra Ora Drive, East Tamaki
P.O. Box 38-440
Howick, Auckland
New Zealand
Tel: 9-273-9136
FAX: 9-273-9137

Cascade (Africa) Pty. Ltd.
P.O. Box 625, Isando 1600
60A Steel Road
Sparton, Kempton Park
South Africa
Tel: 975-9240
FAX: 394-1147

Cascade-Xiamen
Wanshan No. 1 Workshop
Huli Road
Xiamen 361006
Fujian, PRC
Tel: 592-562-4600
FAX: 592-562-4671

**Cascade (Singapore)
Trading Co.**
Four Seasons Park
Autumn Block - Apt. 1802
12 Cascaden Walk
Singapore
Tel: 65-834-1935
FAX: 65-834-1936

