



# Parts Manual

---

Model 60D Carton Clamp

Serial Number 60D-CCS-107

---

**cascade**<sup>®</sup>

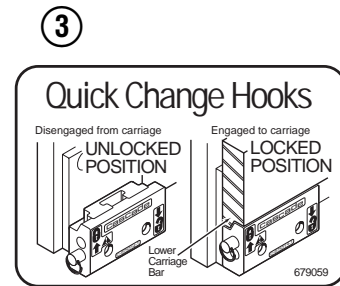
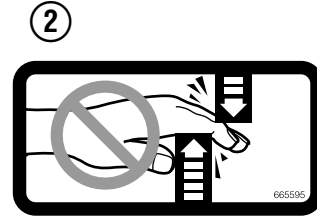
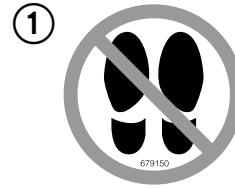
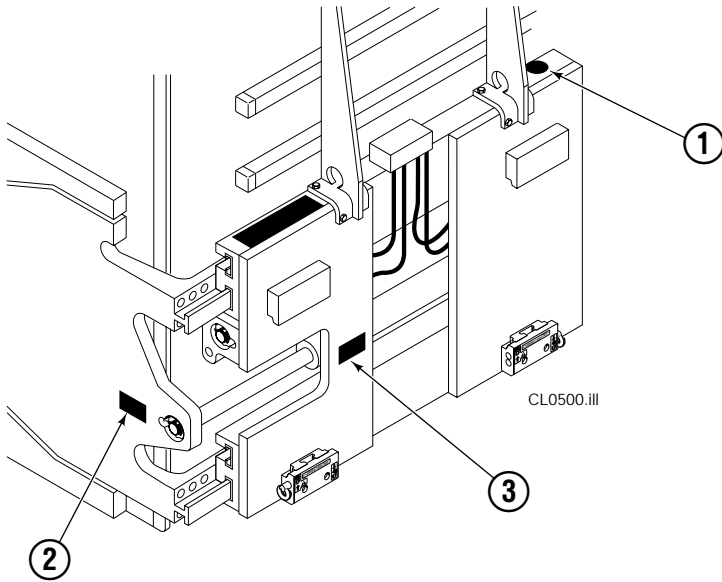
For Technical Assistance and to Order Parts . . .

Call: 1-800-CASCADE or 503-669-6300

OR

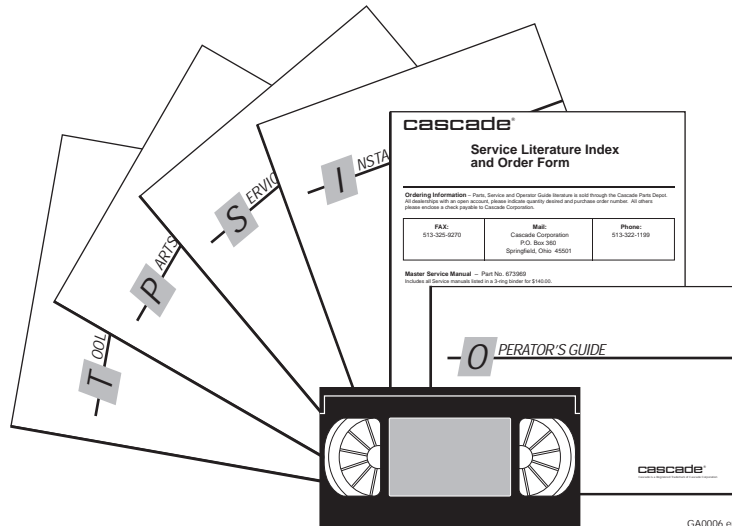
Write: Cascade Corporation, P.O. Box 20187, Portland, OR 97220

# Safety Decals



REF	QTY	PART NO.	DESCRIPTION
1	1	679150	No Step Decal
2	2	665595	No Hand Hold Decal
3	1	679059	Quick Change Hook Decal

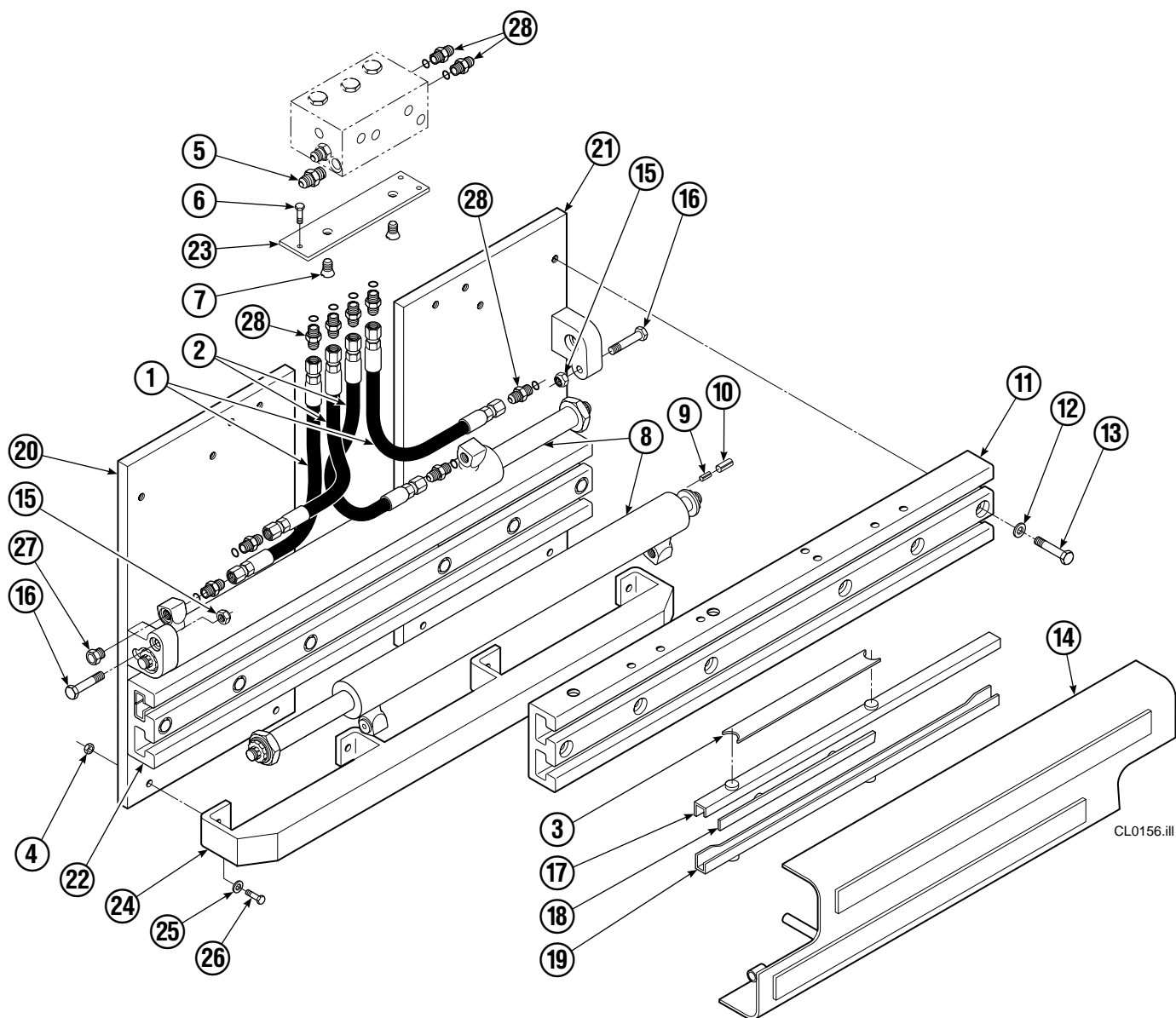
# Publications



GA0006.eps

PART NO.	DESCRIPTION
670487	Service Manual
670834	Operators Guide
670488	Installation Instructions
680664	Servicing Cascade Cylinders-VHS
679929	Tool Catalog
673964	Literature Index Order Form

# Base Unit Group



CL0156.III

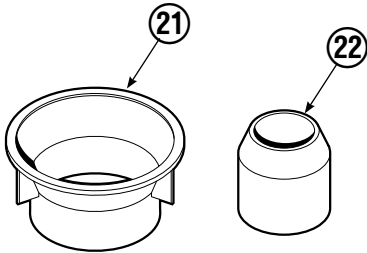
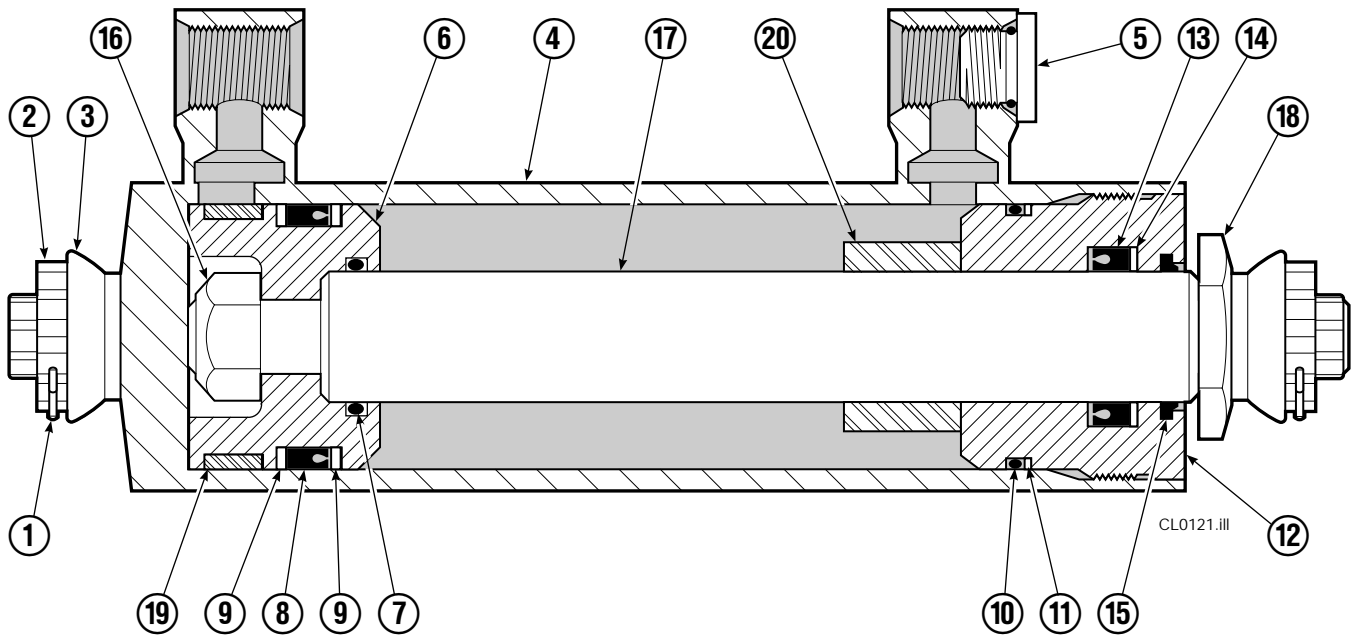
60D							
REF	QTY	PART NO.	DESCRIPTION	REF	QTY	PART NO.	DESCRIPTION
1	2	207425	Hose, 24.00 in.	15	2	665707	Nut, 1/2 in. ID
2	2	688696	Hose, 19.10 in.	16	2	633523	Capscrew, 1/2 NC x 2.50
3	1	675326	Shim Kit ●	17	4	667662	Bearing
4	4	665707	Nut	18	4	667663	Bearing
5	1	601377	Fitting, 8-8	19	4	667661	Bearing
6	2	671222	Capscrew, 3/8 NC x .75	20	1	678939	Mounting Plate - RH
7	2	4750	Capscrew, 3/8 NC x .75	21	1	678938	Mounting Plate - LH
8	2	670289	Cylinder ▲	22	1	674167	Frame - Lower
9	2	7861	Roll Pin - Inner	23	1	669957	Plate
10	2	7962	Roll Pin - Outer	24	1	670078	Lower Bumper
11	1	667659	Frame - Upper	25	4	6205	Washer, 1/2 in. ID
12	8	667225	Washer	26	4	640013	Capscrew, 1/2 NC x 1.75
13	8	667644	Capscrew	27	2	602580	Fitting, 8
14	1	670084	Bumper	28	10	611288	Fitting, 6-8

● Includes two .015 Shims and eight .020 Shims.

▲ See Cylinder page for parts breakdown.

Reference: S-3198, Basic Group 337352.

# Cylinder



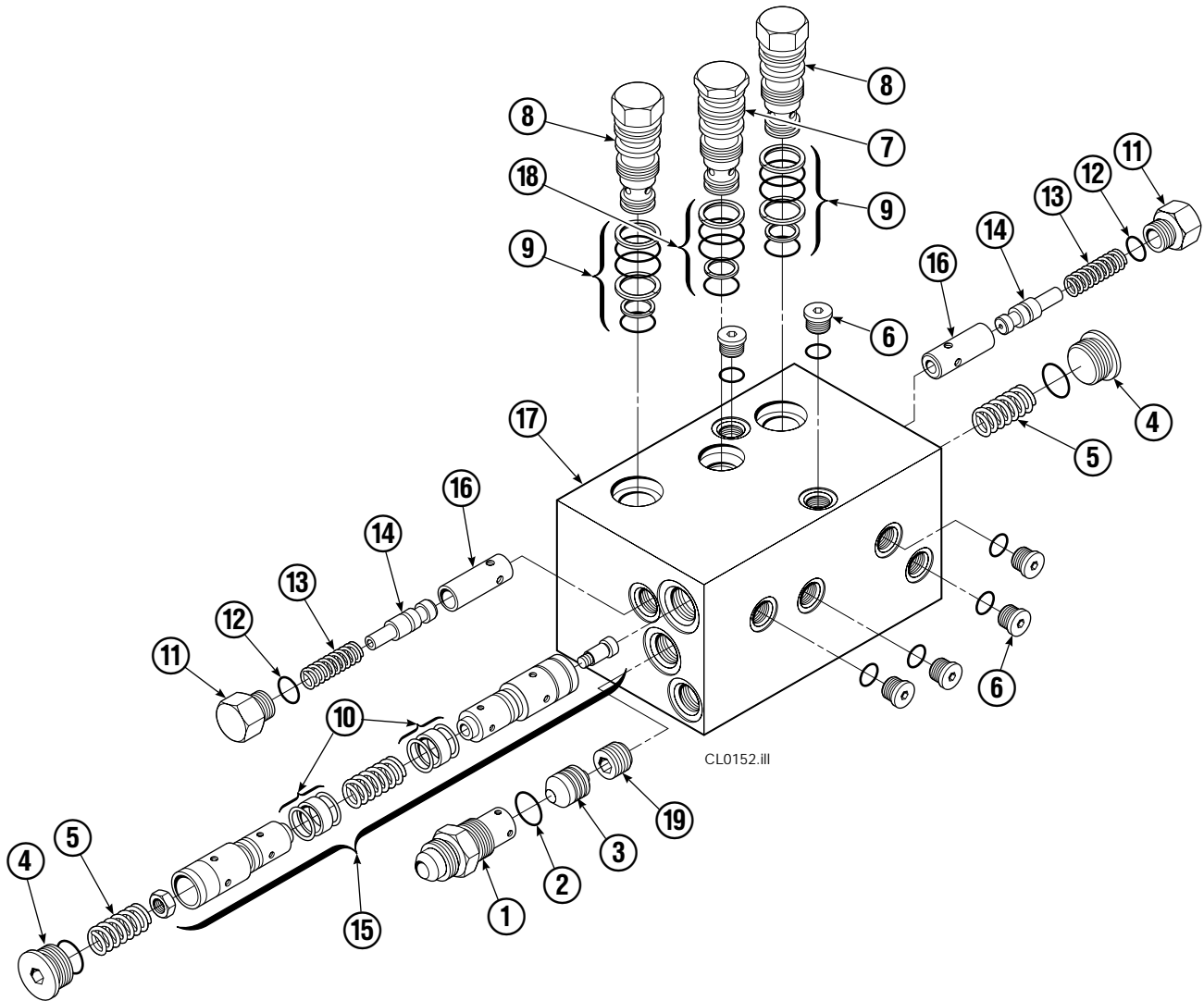
60D			
REF	QTY	PART NO.	DESCRIPTION
		670289	Cylinder Assembly
1	2	6511	Cotter Pin ■
2	2	667667	Nut Retainer ■
3	2	671424	Nut ■
4	1	553761	Shell
5	1	602580	Fitting
6	1	670894	Piston
7	1	2722	O-Ring ▲
8	1	557479	Seal ▲
9	2	637565	Nylon Ring ▲
10	1	2793	O-Ring ▲
11	1	615136	Back-Up Ring ▲
12	1	670895	Retainer
13	1	662451	Seal ▲
14	1	638246	Nylon Ring ▲
15	1	628047	Wiper ▲
16	1	561012	Nut
17	1	667670	Rod
18	1	667676	Washer
19	1	660765	Bearing
20	1	—	Spacer
21	1	671050	Seal Loader, Piston ▲
22	1	671052	Seal Loader, Retainer ▲
		670922	Service Kit

▲ Included in Service Kit 670922.

■ Included in Nut Service Kit 671425.

Reference: S-7662.

# Check Valve



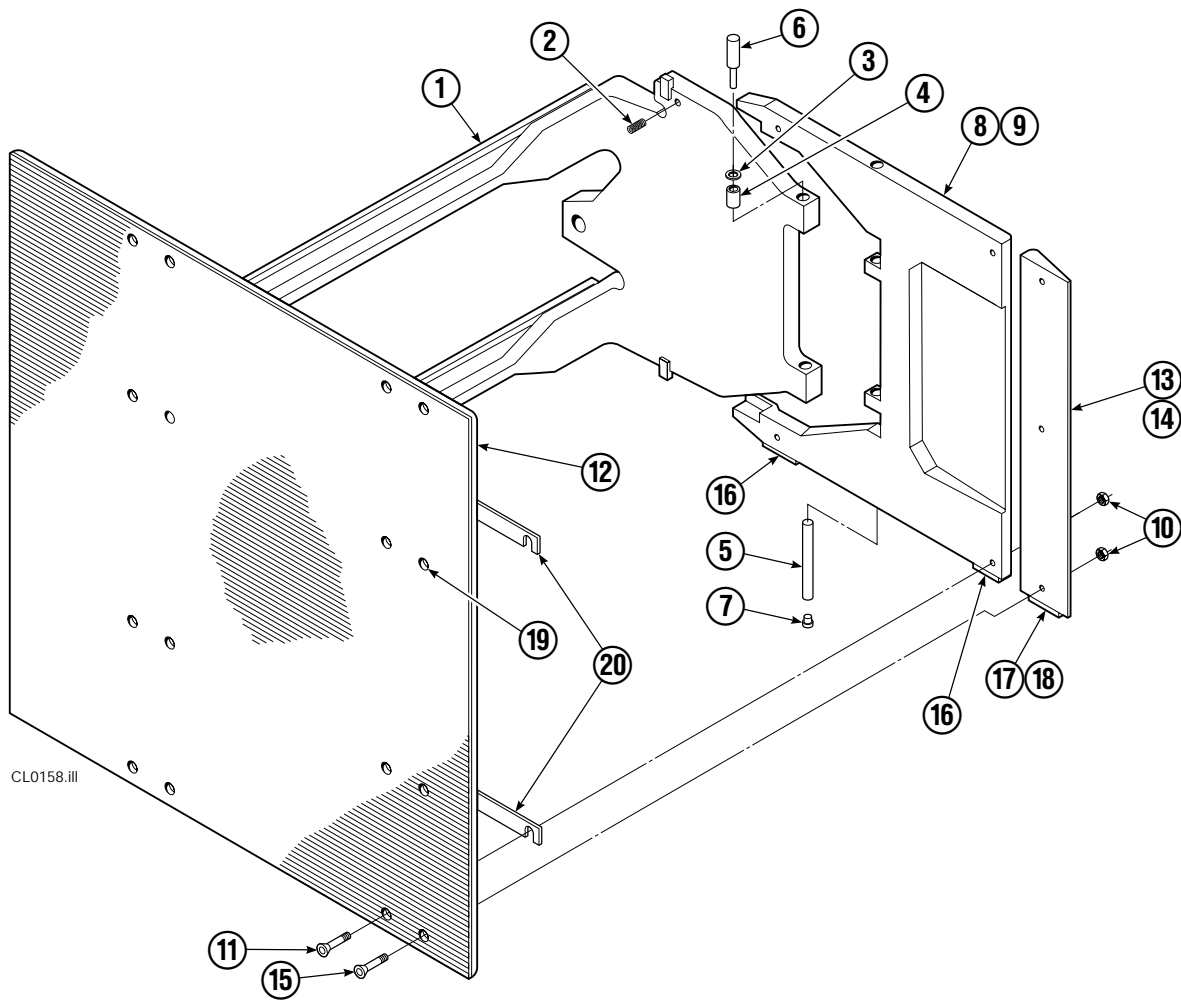
REF	QTY	PART NO.	DESCRIPTION	REF	QTY	PART NO.	DESCRIPTION
		669762	Check Valve – Flow Divider	11	2	667494	Fitting
1	1	667490	Special Fitting	12	2	2840	O-Ring ●
2	1	2841	O-Ring ●	13	2	673098	Spring
3	1	667471	Spool	14	2	667492	Poppet
4	2	609453	Fitting, 10	15	1	673089	Spool Assembly
5	2	667487	Spring	16	2	667491	Sleeve
6	6	604510	Fitting, 6	17	1	669763	Valve Body
7	1	678270	Check Valve – VPO	18	1	661347	Service Kit ●
8	2	659058	Check Valve – PO	19	1	676343	Regeneration Elimination Plug ■
9	2	667516	Service Kit ●			667513	Service Kit
10	1	679846	Low Flow Spool Kit				

● Included in Service Kit 667513.

■ For eliminating regeneration circuit only. See Tech. Bulletin 121.

Reference: SK-5302.

# Contact Pad and Arm



CL0158.iii

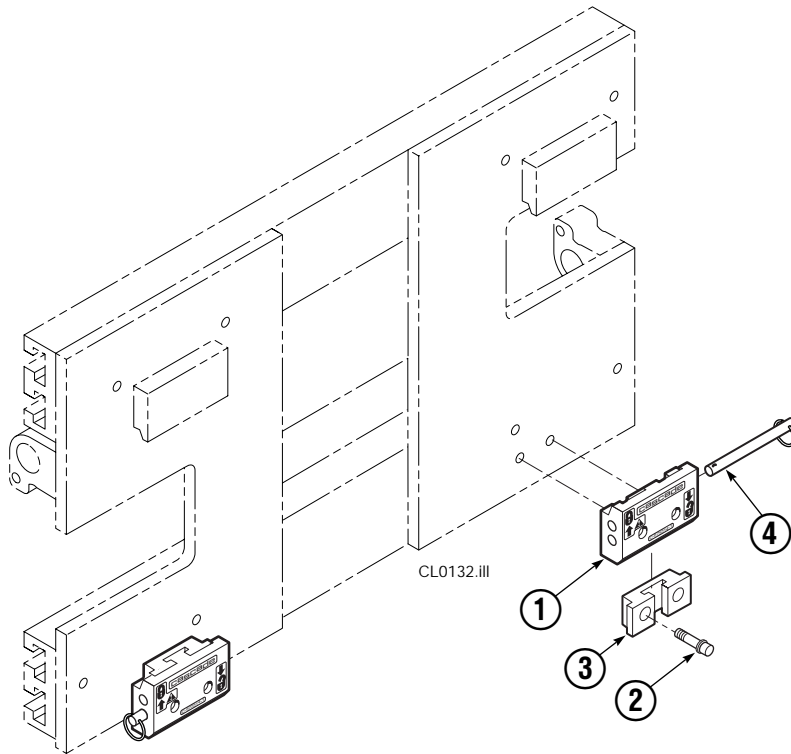
60D			
REF	QTY	PART NO.	DESCRIPTION
1	2	320990	Arm
2	2	661212	Spring
3	■	629312	Washer
4	4	677208	Bushing
5	4	677206	Pin
6	1	675626	Bushing Driver Tool
7	4	602579	Plug
8	1	337353	Stabilizer - R.H.
9	1	337354	Stabilizer - L.H.
10	14	550218	Nut
11	6	4674	Capscrew, .5 NF
12	2	3016173	Contact Pad
13	1	677146	Tip - L.H.
14	1	677145	Tip - R.H.
15	6	4672	Capscrew
16	1	675614	Stabilizer Wear Tile
17	1	678665	Tip Wear Tile - L.H.
18	1	678666	Tip Wear Tile - R.H.
19	▲	676841	Contact Pad Repair Kit
20	■	677095	Shim

■ As required for proper adjustment.

▲ Repairs one hole.

Reference: S-3198, Base Unit 337352.

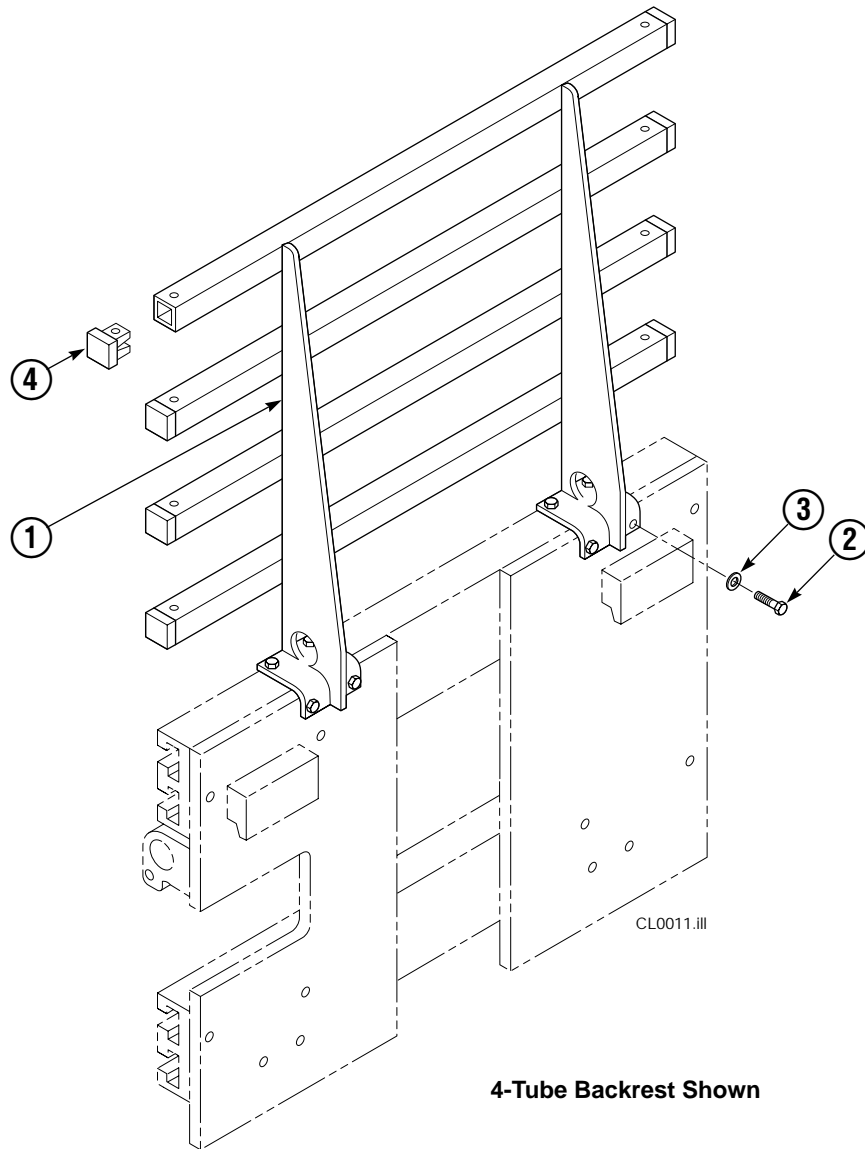
# Quick Change Mounting Group



Class III			
REF	QTY	PART NO.	DESCRIPTION
		678834	Lower Hook Group
1	2	675957	Hook
2	4	678943	Capscrew, 5/8 NC x 1.50
3	2	675958	Guide
4	2	678832	Pin

Reference: S-3197.

# Backrest Group



REF	QTY	PART NO.	DESCRIPTION
		670070	Backrest Group
1	1	670069	Backrest
2	8	677828	Capscrew, 1/2 NC x 1.25
3	8	667910	Washer, 1/2 in. ID
4	▲	674356	Tube End

▲ As required.

**Do you have questions you need answered right now?** Call your nearest Cascade Parts Department.

**Cascade Corporation**  
2501 Sheridan Avenue  
Springfield, OH 45505  
Tel: 888-CASCADE (227-2233)  
FAX: 888-329-0234

**Cascade Canada Inc.**  
5570 Timberlea Blvd.  
Mississauga, Ontario  
Canada L4W-4M6  
Tel: 905-629-7777  
FAX: 905-629-7785

**Cascade GmbH**  
D-41199 Monchengladbach  
Klosterhofweg 52  
Germany  
Tel: 21-66-602091  
FAX: 21-66-680947

**Cascade Finland**  
01370 Vantas  
Finland  
Tel: 358-0-836-1925  
FAX: 358-0-836-1935

**Cascade N.V.  
European Headquarters**  
P.O. Box 3009  
1300 El Almere  
Damsluisweg 56  
1332 ED Almere  
The Netherlands  
Tel: 31-36-5492911  
FAX: 31-36-5492964

**Cascade N.V.  
Benelux Sales and Service**  
P.O. Box 3009  
1300 El Almere  
Damsluisweg 56  
1332 ED Almere  
The Netherlands  
Tel: 31-36-5492950  
FAX: 31-36-5492974

**Cascade (UK) Ltd.**  
15, Orgreave Crescent  
Dore House Industrial Estate  
Handsworth  
Sheffield S13 9NQ  
England  
Tel: 742-697524  
FAX: 742-695121

**Cascade Scandinavia  
Hydraulik A.B.**  
Muskötgatan 19, E8-9  
S25466 Helsingborg  
Sweden  
Tel: 42-151135  
FAX: 42-152997

**Cascade Norway**  
Østerliveien 37A  
1153 Oslo  
Norway  
Tel: 47-22-743160  
FAX: 47-22-743157

**Cascade France S.A.R.L.**  
11, Rue Jean Charcot  
Zone Industrielle Sud or  
B.P. 22  
91421 Morangis Cedex  
France  
Tel: 1- 64547501  
FAX: 1-9790584

**Cascade Hispania S.A.**  
Avenida De La Fabregada, 7  
Hospitalet De Llobregat  
Barcelona  
Spain  
Tel: 3-335-5158  
FAX: 3-335-4756

**Cascade Japan Ltd.**  
5-5-41,  
Torikai Kami  
Settsu, Osaka  
Japan, 566  
Tel: 81-726-53-3490  
FAX: 81-726-53-3497

**Cascade Korea**  
Room 508, Pum Yang Bldg.  
750-14, Bang Bac-Dong  
Se-Cho Ku, Seoul  
Korea  
Tel: 2599-7131 ext. 512  
FAX: 2533-8089

**HYCO-Cascade Pty. Ltd.**  
1445 Ipswich Road  
Rocklea,  
Queensland 4107  
Australia  
Tel: 3-274-2722  
FAX: 3-274-3456

**HYCO-Cascade (NZ) Ltd.**  
15 Ra Ora Drive, East Tamaki  
P.O. Box 38-440  
Howick, Auckland  
New Zealand  
Tel: 9-273-9136  
FAX: 9-273-9137

**Cascade (Africa) Pty. Ltd.**  
P.O. Box 625, Isando 1600  
60A Steel Road  
Sparton, Kempton Park  
South Africa  
Tel: 975-9240  
FAX: 394-1147

**Cascade-Xiamen**  
Wanshan No. 1 Workshop  
Huli Road  
Xiamen 361006  
Fujian, PRC  
Tel: 592-562-4600  
FAX: 592-562-4671

**Cascade (Singapore)  
Trading Co.**  
Four Seasons Park  
Autumn Block - Apt. 1802  
12 Cascaden Walk  
Singapore  
Tel: 65-834-1935  
FAX: 65-834-1936

