



Parts Manual

Model Single-Double Pallet Handler

Serial Number 70E-FDS-103

cascade[®]
corporation

For Technical Assistance call: 800-227-2233, Fax: 888-329-8207

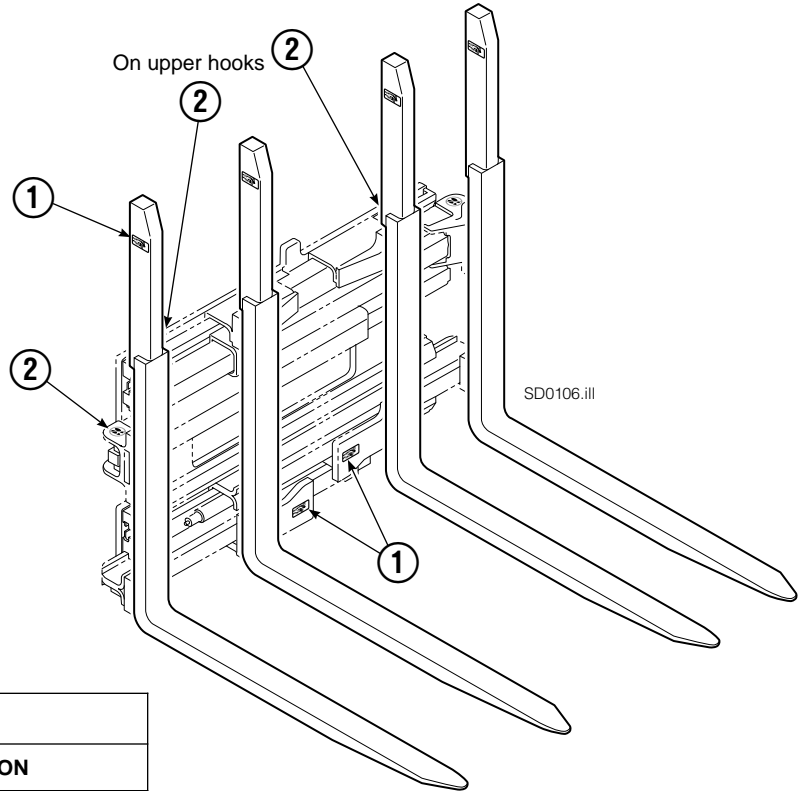
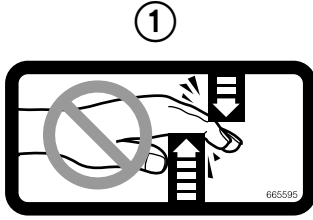
To Order Parts call: 888-227-2233, Fax: 888-329-0234

OR

Write: Cascade Corporation, P.O. Box 20187, Portland, OR 97220

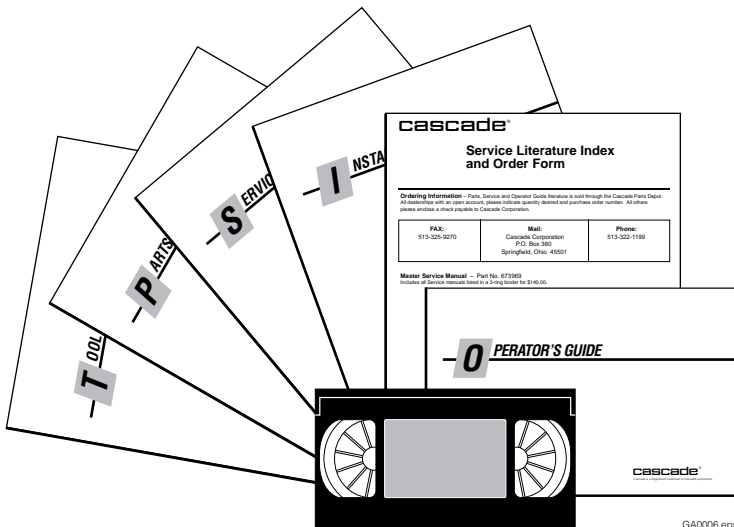
Internet: www.cascorp.com

Decals



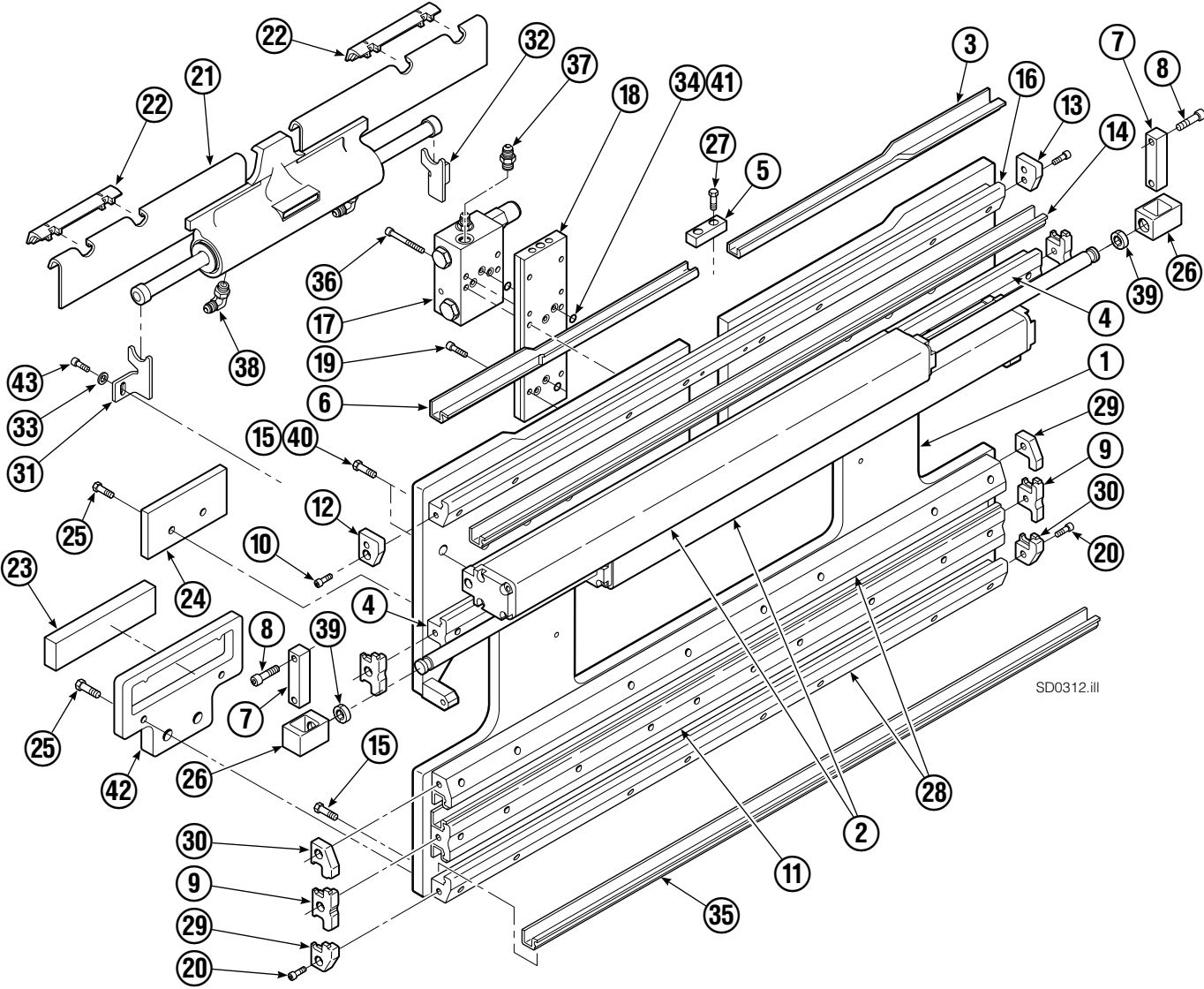
| 70E | | | |
|-----|-----|----------|--------------------|
| REF | QTY | PART NO. | DESCRIPTION |
| 1 | 6 | 665595 | No Hand Hold Decal |
| 2 | 4 | 679150 | No Step Decal |

Publications



| 70E | |
|----------|-----------------------------|
| PART NO. | DESCRIPTION |
| | Parts Manual |
| 213580 | Operator's Guide |
| 213372 | Installation Instructions |
| 679929 | Tool Catalog |
| 673964 | Literature Index Order Form |

Base Unit Group



SD0312.ill

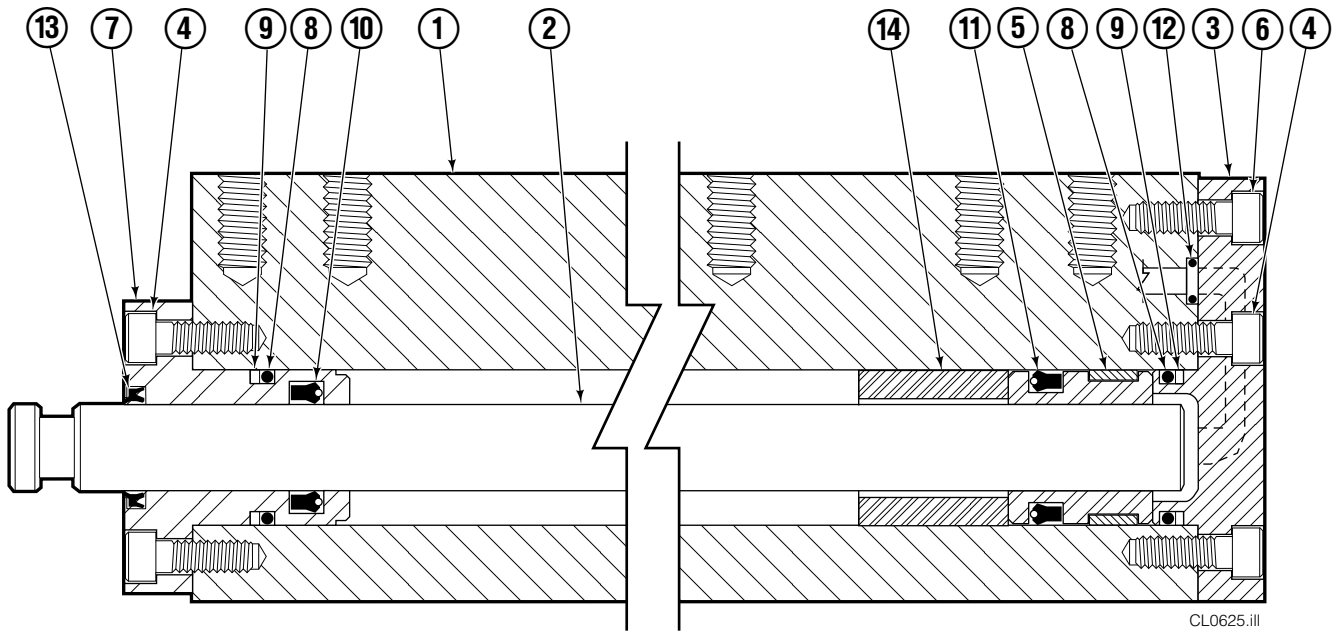
Base Unit Group

| 70E | | | |
|-----|-----|------------|-------------------------|
| REF | QTY | PART NO. | DESCRIPTION |
| | | 6105209 | Base Unit Group |
| 1 | 1 | 6104749 | Baseplate |
| 2 | 2 | 6105214 | Frame Cylinder ★ |
| 3 | 1 | 4776-778 | Bearing Segment – LH |
| 4 | 2 | 6104758 | T-Bar – Upper (S-28073) |
| 5 | 1 | 6105216 | Fork Stop |
| 6 | 1 | 4777-778 | Bearing Segment – RH |
| 7 | 2 | 209844 | Rod End Anchor |
| 8 | 4 | 768828 | Capscrew, M12 x 45 |
| 9 | 4 | 210141 | Bearing Retainer |
| 10 | 4 | 767614 | Capscrew, M10 x 20 |
| 11 | 1 | 6104759 | T-Bar – Lower (S-28112) |
| 12 | 1 | 6005409 | Retainer/Stop – RH |
| 13 | 1 | 6005408 | Retainer/Stop – LH |
| 14 | 4 | 10603-1196 | Bearing Segment |
| 15 | 33 | 219529 | Capscrew, M16 x 40 |
| 16 | 1 | 6104760 | T-Bar – Upper (S-28114) |
| 17 | 1 | 216835 | Valve Assembly ▲ |
| 18 | 1 | 225408 | Manifold |
| 19 | 4 | 768208 | Capscrew, M8 x 25 |
| 20 | 6 | 787375 | Capscrew, M8 x 20 |
| 21 | 1 | 796247 | Sideshift Cylinder ● |
| 22 | 2 | 672018 | Upper Bearing |
| 23 | 2 | 6104908 | Lower Bearing |
| 24 | 2 | 212709 | Spacer Block |
| 25 | 8 | 767615 | Capscrew, M10 x 25 |
| 26 | 2 | 209843 | Rod End |
| 27 | 2 | 684649 | Capscrew, M10 x 25 |
| 28 | 2 | 6104761 | T-Bar – Lower (S-28113) |
| 29 | 2 | 223937 | Bearing Retainer |
| 30 | 2 | 223938 | Bearing Retainer |
| 31 | 1 | 225441 | Bracket – RH |
| 32 | 1 | 225440 | Bracket – LH |
| 33 | 2 | 787398 | Washer, M8 |
| 34 | 3 | 214053 | O-Ring |
| 35 | 4 | 10603-1186 | Bearing Segment |
| 36 | 4 | 768802 | Capscrew, M8 x 70 |
| 37 | 2 | 604511 | Fitting, 6-6 ◆ |
| 38 | 2 | 601676 | Fitting, 6-6 ◆ |
| 39 | 4 | 209850 | Retainer Half Ring |
| 40 | 19 | 211128 | Capscrew, M16 x 30 |
| 41 | 4 | 564448 | O-Ring |
| 42 | 2 | 215226 | Hanger |
| 43 | 2 | 787372 | Capscrew, M8 x 20 |

- ★ See Frame Cylinder page for parts breakdown.
- ▲ See Valve Assembly page for parts breakdown.
- See Sideshift Cylinder page for parts breakdown.
- ◆ Included in Fitting Group 213099.

Reference: S-4470.

Cylinder

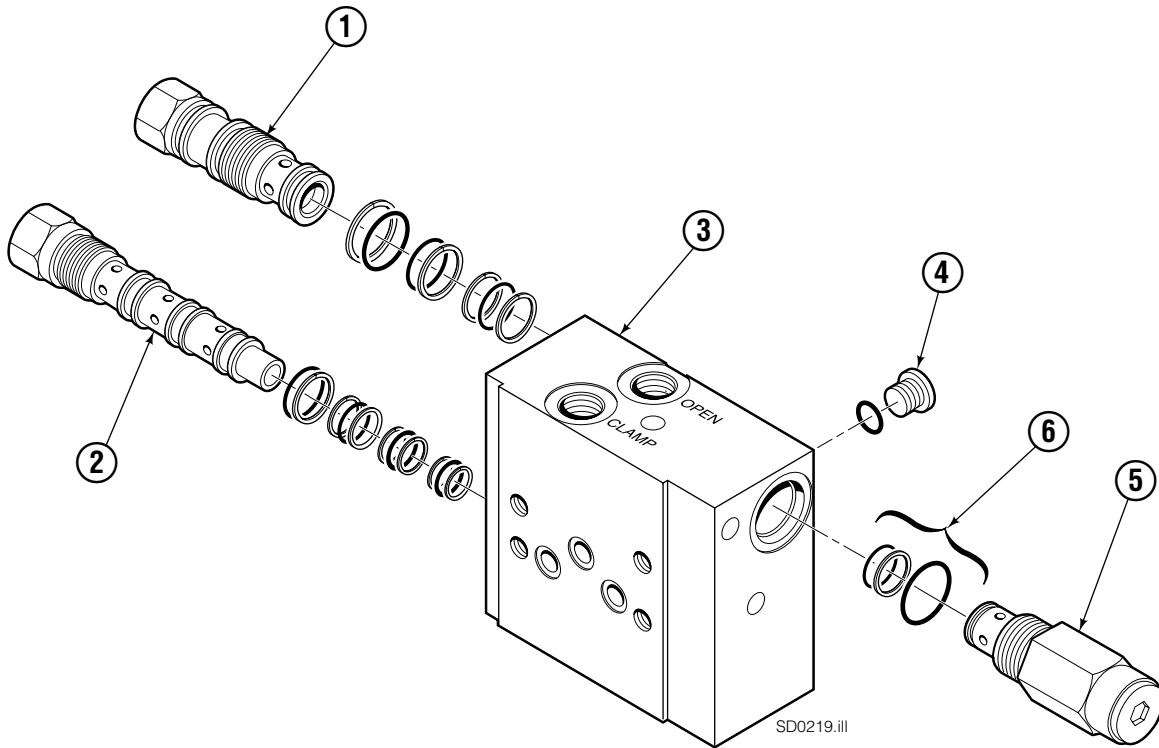


| 70E | | | | | | | |
|-----|-----|-----------|-------------------|-----|-----|-----------|----------------|
| REF | QTY | PART NO. | DESCRIPTION | REF | QTY | PART NO. | DESCRIPTION |
| | | 6105214 | Cylinder Assembly | 8 | 3 | 210088 | O-Ring ▲ |
| 1 | 1 | 6104765 | Cylinder/Shell | 9 | 2 | 564601 | Back-Up Ring ▲ |
| 2 | 1 | 4126-0954 | Rod | 10 | 1 | 212478 | Seal ▲ |
| 3 | 1 | 209744 | Cap | 11 | 1 | 564349 | Seal ▲ |
| 4 | 8 | 768208 | Capscrew, M8 x 25 | 12 | 2 | 564448 | O-Ring ▲ |
| 5 | 1 | 209748 | Bearing ▲ | 13 | 1 | 564408 | Wiper ▲ |
| 6 | 1 | 787375 | Capscrew, M8 x 20 | 14 | 1 | 4273-0054 | Spacer |
| 7 | 1 | 212449 | Retainer | | | 209771 | Service Kit |

▲ Included in Service Kit 209771.

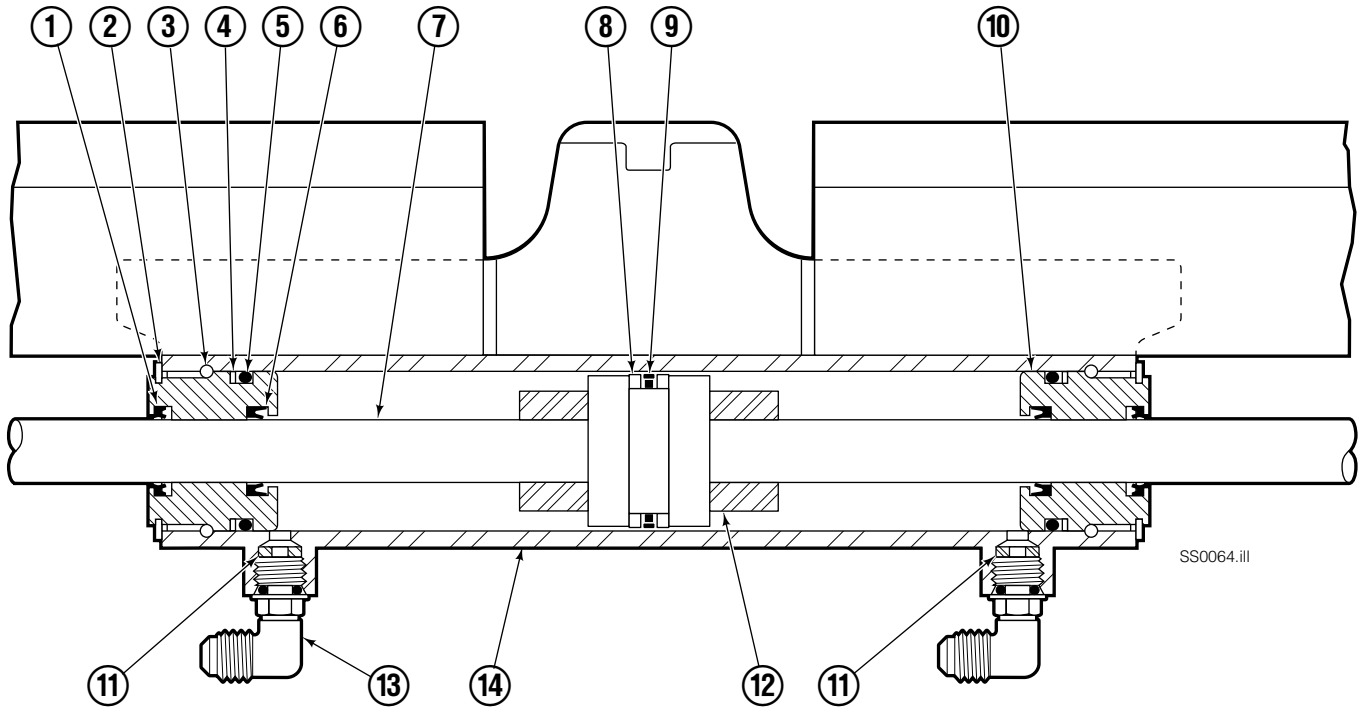
Reference: S-28072.

Valve ITA Class II

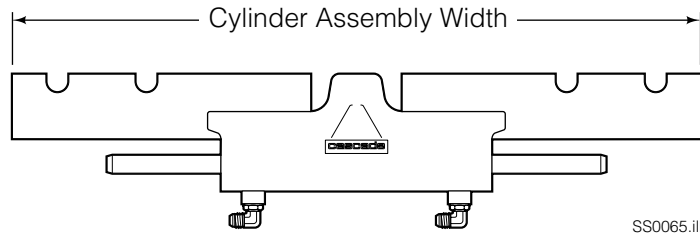


| 70E | | | |
|-----|-----|----------|------------------------|
| REF | QTY | PART NO. | DESCRIPTION |
| | | 216835 | Valve Assembly |
| 1 | 1 | 219039 | Check Valve |
| 2 | 1 | 219040 | Flow Divider/Combiner |
| 3 | 1 | 216836 | Valve Body |
| 4 | 1 | 609234 | Plug |
| 5 | 1 | 213535 | Crossover Relief Valve |
| 6 | 1 | 682170 | Service Kit |

Cylinder



SS0064.ill



SS0065.ill

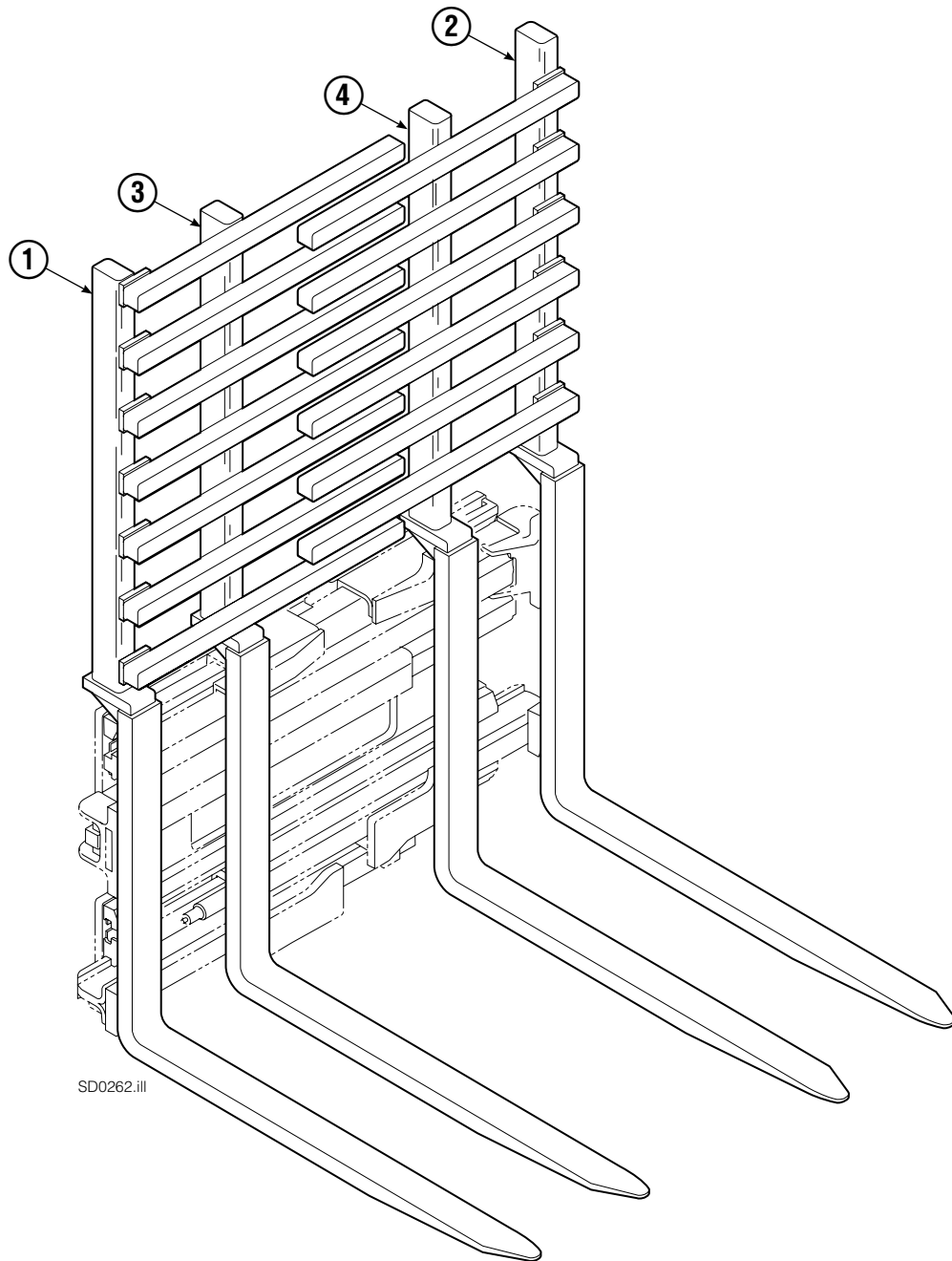
70E

| REF | QTY | PART NO. | DESCRIPTION | REF | QTY | PART NO. | DESCRIPTION |
|-----|-----|----------|-------------------------------------|-----|-----|----------|----------------------|
| | | 796247 | Cylinder Assembly, 40 in. (1020 mm) | 8 | 2 | 564404 | ● Bearing Ring |
| 1 | 2 | 564408 | ● Wiper Seal | 9 | 1 | 564407 | ● Piston Seal |
| 2 | 2 | 3154 | Snap Ring | 10 | 2 | 564402 | Retainer |
| 3 | 2 | 564403 | Retaining Ring | 11 | 1 | 205369 | Speed Control Washer |
| 4 | 2 | 615131 | ● Back-Up Ring | 12 | 2 | — | Spacer |
| 5 | 2 | 2789 | ● O-Ring | 13 | 2 | 601676 | Fitting, JIC 6-6 |
| 6 | 2 | 564406 | ● Rod Seal | 14 | — | ■ | Cylinder Shell |
| 7 | 1 | 564401 | Rod | | | 564409 | Service Kit |

● Included in Service Kit 564409.

■ Not serviceable, order new cylinder assembly.

Interlocking Backrest/Fork Group

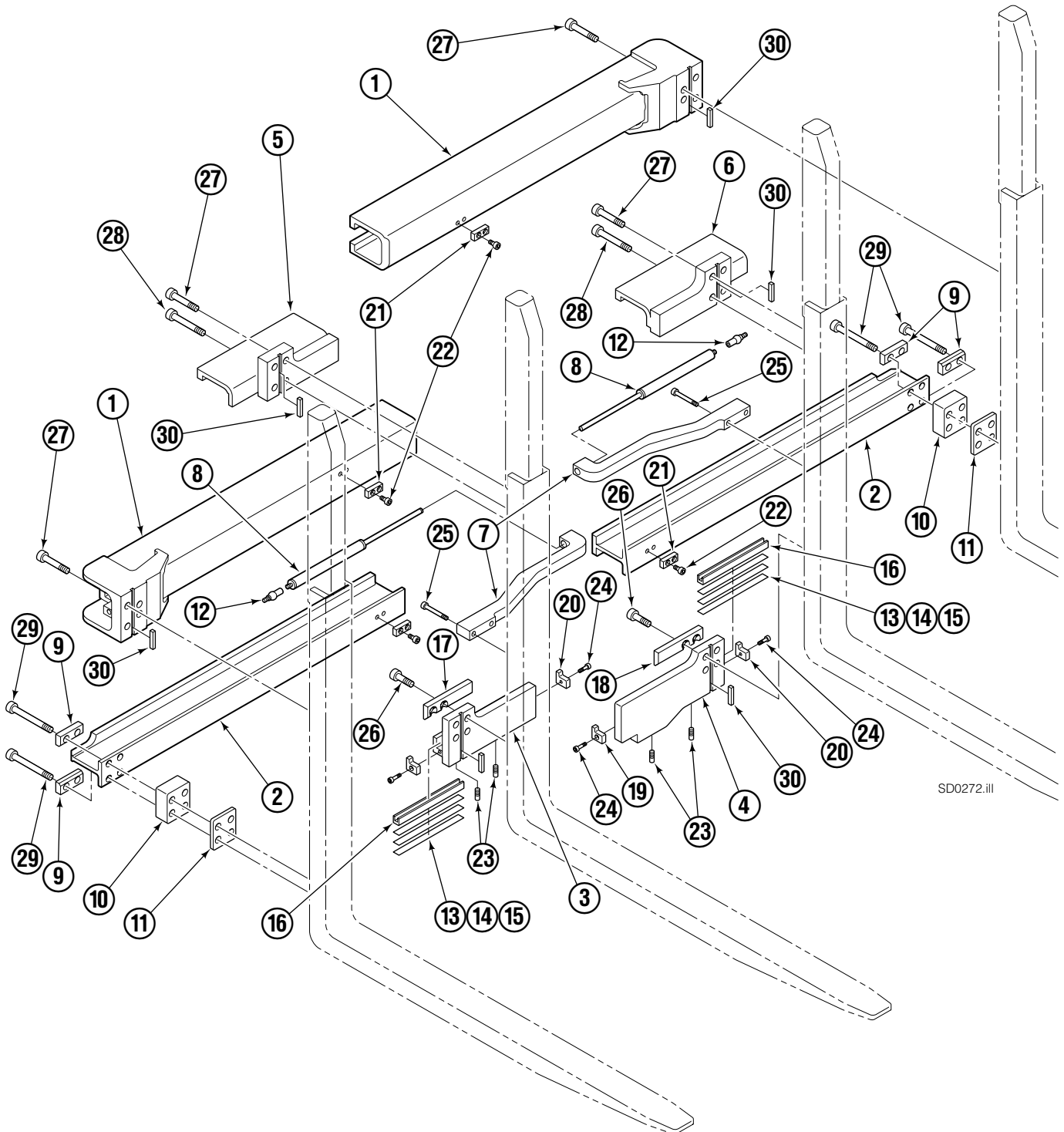


SD0262.iii

| REF | QTY | PART NO. | DESCRIPTION |
|-----|-----|----------|-----------------|
| | | 6113079 | Fork Group |
| 1 | 1 | 6113081 | Outer Fork - RH |
| 2 | 1 | 6113080 | Outer Fork - LH |
| 3 | 1 | 6113083 | Inner Fork - RH |
| 4 | 1 | 6113082 | Inner Fork - LH |

Reference: S-28124, S-28129, S-28120, S-28121, S-28125,
S-28126.

Arm Group



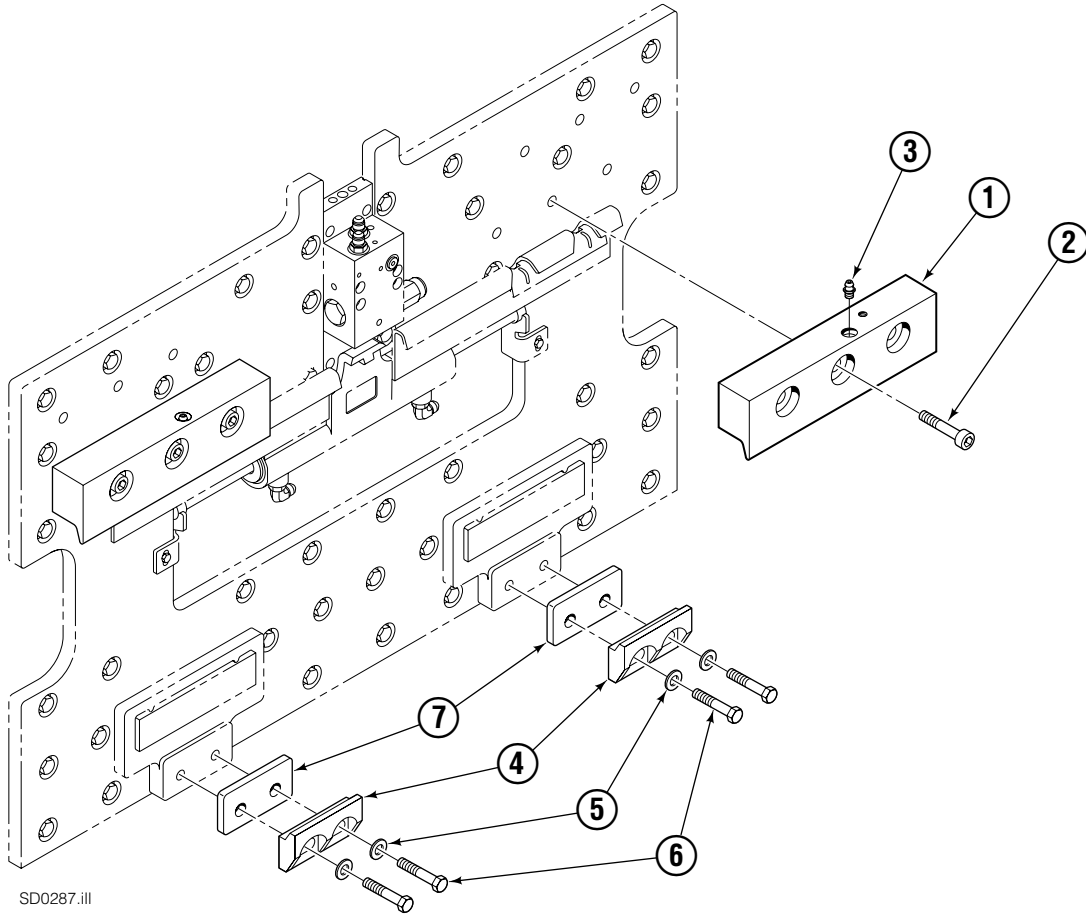
SD0272.iii

Arm Group

| 70E | | | |
|-----|-----|-----------|--------------------|
| REF | QTY | PART NO. | DESCRIPTION |
| | | 6105208 | Arm Group |
| 1 | 2 | 6105212 | Arm Bar – Upper |
| 2 | 2 | 6105213 | Arm Bar – Lower |
| 3 | 1 | 6105221 | Lower Hook – RH |
| 4 | 1 | 6105220 | Lower Hook – LH |
| 5 | 1 | 6009286 | Upper Hook – RH |
| 6 | 1 | 6009936 | Upper Hook – LH |
| 7 | 2 | 6105217 | Bracket |
| 8 | 2 | 224175 | Gas Cylinder |
| 9 | 4 | 226948 | Reinforcing Plate |
| 10 | 2 | 226949 | Spacer |
| 11 | 4 | ----- | Spacer |
| 12 | 2 | 224189 | Ball Joint |
| 13 | 2 | 228395 | Shim, 2 mm. |
| 14 | 4 | 212559 | Shim, 1 mm. |
| 15 | 4 | 213913 | Shim, .05 mm. |
| 16 | 2 | 4501-0222 | Bearing Segment |
| 17 | 1 | 212682 | Bearing – RH |
| 18 | 1 | 213899 | Bearing – LH |
| 19 | 2 | 225345 | Bearing Retainer |
| 20 | 2 | 225345 | Bearing Retainer |
| 21 | 4 | 212687 | Fork Stop |
| 22 | 8 | 214414 | Capscrew, M10 x 12 |
| 23 | 4 | 781422 | Setscrew, M12 x 12 |
| 24 | 4 | 787375 | Capscrew, M8 x 20 |
| 25 | 4 | 768813 | Capscrew, M10 x 55 |
| 26 | 8 | 769574 | Capscrew, M16 x 35 |
| 27 | 12 | 769577 | Capscrew, M16 x 50 |
| 28 | 4 | 769578 | Capscrew, M16 x 60 |
| 29 | 8 | 682073 | Capscrew, M16 x 70 |
| 30 | 6 | 213364 | Key |

Reference: Common Parts Group 6100561, S-28074, S-28075,
S-28076, S-28085, S-28083, S-10745, S-10612.

Mounting Group ITA Class III



SD0287.iii

| 70E | | | |
|------------|-----|---------------------|--------------------|
| REF | QTY | ITA III PART NO. | DESCRIPTION |
| | | 6103288 | Upper Hook Group ▲ |
| | | 6104909 | Lower Hook Group ★ |
| 1 | 2 | 218206 | Upper Hook |
| 2 | 6 | 229187 | Capscrew, M16 x 70 |
| 3 | 2 | 7403 | Grease Fitting |
| 4 | 2 | 675969 | Lower Hook |
| 5 | 4 | 667225 | Washer |
| 6 | 4 | 751511 | Capscrew, M16 x 55 |
| 7 | 2 | 6104878 | Spacer |

▲ Includes items 1 and 2.

★ Includes items 4-7.

Do you have questions you need answered right now? Call your nearest Cascade Parts Department. Visit us online at www.cascorp.com

Cascade Corporation
2501 Sheridan Avenue
Springfield, OH 45505
Tel: 888-CASCADE (227-2233)
FAX: 888-329-0234

Cascade Canada Inc.
5570 Timberlea Blvd.
Mississauga, Ontario
Canada L4W-4M6
Tel: 905-629-7777
FAX: 905-629-7785

Cascade GmbH
D-41199 Monchengladbach
Klosterhofweg 52
Germany
Tel: 49-216-668230
FAX: 49-216-6682323

Cascade Finland
Albert Petreliuksenkatu 3
01370 Vantaa
Finland
Tel: 358-9-836-1925
FAX: 358-9-836-1935

**Cascade N.V.
European Headquarters**
P.O. Box 3009
1300 El Almere
Damsluisweg 56
1332 ED Almere
The Netherlands
Tel: 31-36-5492911
FAX: 31-36-5492964

**Cascade N.V.
Benelux Sales and Service**
P.O. Box 3009
1300 El Almere
Damsluisweg 56
1332 ED Almere
The Netherlands
Tel: 31-36-5492950
FAX: 31-36-5492974

Cascade (UK) Ltd.
15, Orgreave Crescent
Dore House Industrial Estate
Handsworth
Sheffield S13 9NQ
England
Tel: 742-697524
FAX: 742-695121

Cascade Scandinavia AB
Box 124
Hammarvägen 10
567 23 Vaggeryd
Sweden
Tel: 42-0-393-36950
FAX: 46-0-393-36959

Cascade Norway
Østerliveien 37A
1153 Oslo
Norway
Tel: 47-22-743160
FAX: 47-22-743157

Cascade France S.A.R.L.
1D Rue De Charaintru
BP 18, 91360 Epinay-Sur-Orge
Morangis Cedex, France
Tel: 33-1- 64547500
FAX: 33-1-64547501

Cascade Hispania S.A.
Carrer 5 Sector C
Zona Franca Duanera
Poligono de la Zon Franca
08040 Barcelona, Spain
Office No. 256
Tel: 93-264-07-30
FAX: 93-264-07-31

Cascade Japan Ltd.
5-5-41,
Torikai Kami
Settsu, Osaka
Japan, 566
Tel: 81-726-53-3490
FAX: 81-726-53-3497

Cascade Korea
108B, Namdong Ind Complex
658-3 Gojan-Dong
Namdong-Gu
Inchon, 405-310 Korea
Tel: 82-32-821-2051
FAX: 82-32-821-2055

Cascade Australia
1445 Ipswich Road
Rocklea, QLD 4106
Australia
Tel: 1-800227-223
FAX: (07) 3373-7333

Cascade New Zealand
15 Ra Ora Drive
East Tamaki, Auckland
New Zealand
Tel: 9-273-9136
FAX: 9-273-9137

Cascade (Africa) Pty. Ltd.
P.O. Box 625, Isando 1600
60A Steel Road
Sparton, Kempton Park
South Africa
Tel: 27-11-975-9240
FAX: 27-11-394-1147

Cascade-Xiamen
No. 668 Yangguang Rd.
Xinyang Industrial Zone
Haicang, Xiamen City
Fujian Province
P.R. China 361026
Tel: 86-592-651-2500
FAX: 86-592-651-2571

**Cascade (Singapore)
Trading Co.**
Four Seasons Park
Autumn Block - Apt. 1802
12 Cuscaden Walk
Singapore
Tel: 65-834-1935
FAX: 65-834-1936

