



# Parts Manual

---

Model 90F Paper Roll Clamp

Serial Number 90F-RCP-129

---

**cascade**<sup>®</sup>

For Technical Assistance call: 800-227-2233, Fax: 888-329-8207

To Order Parts call: 888-227-2233, Fax: 888-329-0234

OR

Write: Cascade Corporation, P.O. Box 20187, Portland, OR 97220

# Safety Decals



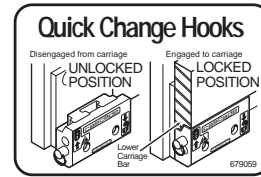
RC0636.ill



4



6

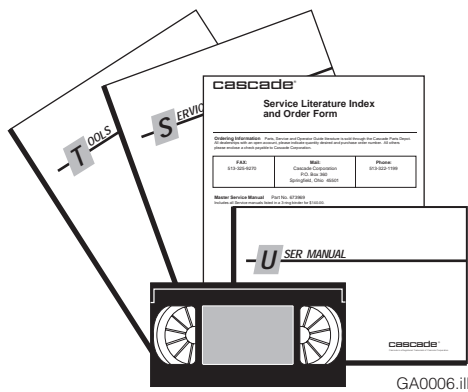


5



Roll Clamp Safety Decals			
REF	QTY	PART NO.	DESCRIPTION
1	6	665595	No Hand Hold Decal
2	3	660269	Short Arm Rotation Position Decal
3	4	656038	Caution Decal
4	4	679150	No Step Decal
5	4	665677	Trapped Pressure Decal
6	1	679059	Quick-Change Hook Decal

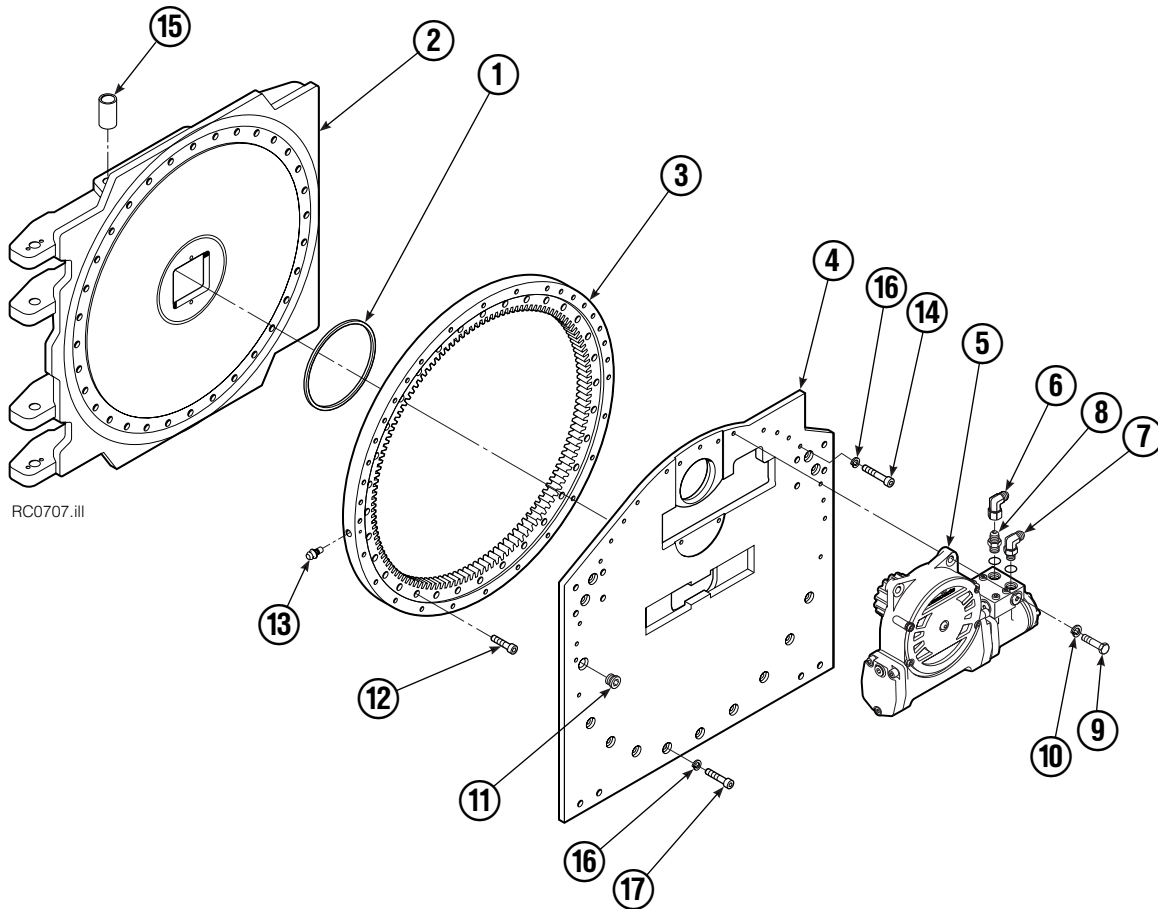
# Publications



GA0006.ill

Roll Clamp Publications	
674512	Service Manual
674509	Operator's Guide – Fixed Frame
676268	Operator's Guide – Swing Frame
674510	Installation Instructions – Fixed Frame
674511	Installation Instructions – Swing Frame
677555	Driver Training Video – VHS
678363	Troubleshooting Video – VHS
680664	Servicing Cascade Cylinders – VHS
679929	Tool Catalog
673964	Literature Index Order Form

# Frame Group



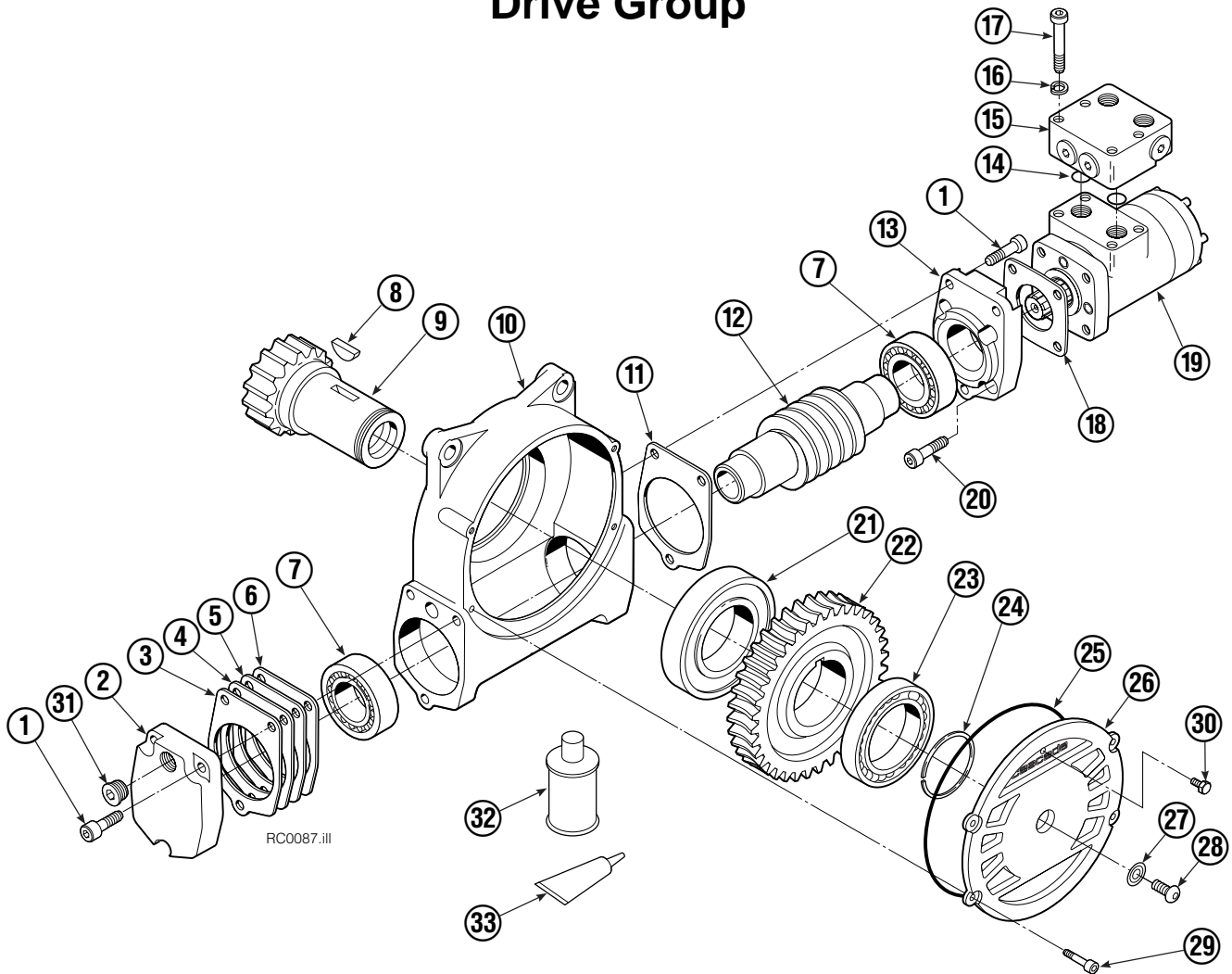
RC0707.iii

90F			
REF	QTY	PART NO.	DESCRIPTION
		223034	Frame Group
1	1	670931	Seal
2	1	223050	Faceplate
3	1	214481	Bearing Assembly
4	1	214484	Baseplate
5	1	795492	Drive Group ▲
6	1	605761	Fitting, 8-8
7	1	601250	Fitting, 8-8
8	1	601377	Fitting, 8-8
9	4	763021	Capscrew, M12 x 30
10	4	6290	Lockwasher, 1/2
11	1	664071	Plug
12	32	753221	Capscrew, M12 x 50
13	1	7401	Grease Fitting
14	19	213633	Capscrew, M12 x 55
15	8	675007	Bushing
16	32	681473	Washer, M12
17	13	206174	Capscrew, M12 x 45

▲ See Drive Group page for parts breakdown.

Reference: Common Parts Group 223023, SK-6189.

# Drive Group



90F							
REF	QTY	PART NO.	DESCRIPTION	REF	QTY	PART NO.	DESCRIPTION
		795492	Drive Group with 2.8 c.i. Motor	19	1	206392	Drive Motor – 2.8 c.i.
1	6	769570	Capscrew, M12 x 25	20	4	4468	Capscrew, 3/8 NC x .75 GR8
2	1	676855	Cover	21	1	670580	Bearing
3	●	674513	Shim – .005" (blue)	22	1	675609	Worm Gear
4	●	670574	Shim – .010" (brown)	23	1	670581	Bearing
5	●	671757	Shim – .015" (pink)	24	1	7214	Snap Ring
6	●	671758	Shim – .020" (yellow)	25	1	643423	O-Ring
7	2	670579	Bearing	26	1	775552	Cover
8	1	670582	Key	27	1	783609	Seal
9	1	670556	Pinion	28	1	783608	Capscrew, M12 x 16
10	1	775551	Housing	29	4	200882	Capscrew, M8 x 20
11	1	686465	Gasket	30	1	644010	Relief Fitting
12	1	675608	Worm	31	1	604510	Fitting, 6
13	1	775553	Adapter	32	1	656300	Gear Box Lube – 48 oz.
14	2	2705	O-Ring	33	1	668184	Sealant
15	1	670549	Check Valve ▲			670578	Shim Service Kit (items 3-6,25,33)
16	4	6444	Lockwasher			675637	Bearing Service Kit (items 21 & 33)
17	4	607059	Capscrew, 5/16 NC x 1.75 GR8			675638	Bearing Service Kit (items 3-7,25)
18	1	670575	Gasket			685227	Motor Kit-4.5 (items 4,14,18)

● Quantity as required.

▲ See Check Valve page for parts breakdown.

# Drive Motor



REF	QTY	PART NO.	DESCRIPTION
		206392	Drive Motor
1	1	675478	Shaft
2	1	675477	Drive
3	1	675479	Spacer Plate
■ 4	1	675480	Gerotor Set (101-1768-007)
■ 4	1	685075	Gerotor Set (101-1768-009)
5	1	675482	End Cap
● 6	1	206405	Service Kit
■ 7	1	685089	Flange (101-1768-007)
■ 7	1	685090	Flange (101-1768-009)

Cascade provides service replacement parts for the listed parts only. Due to cost, if others parts need replacement, the complete drive motor should be replaced.

- See Nameplate under valve for correct part number of Gerotor Set and Flange.
- Compatible with water glycol based hydraulic fluids.

# Check Valve



REF	QTY	PART NO.	DESCRIPTION
		670549	Check Valve Assembly
1	2	609453	Fitting, 10
2	2	670552	Spring
3	2	670551	Guide
4	2	7020	Ball
5	2	602580	Fitting, 8
6	2	673989	Spring
7	1	670550	Body
8	1	670553	Spool

# Common Components

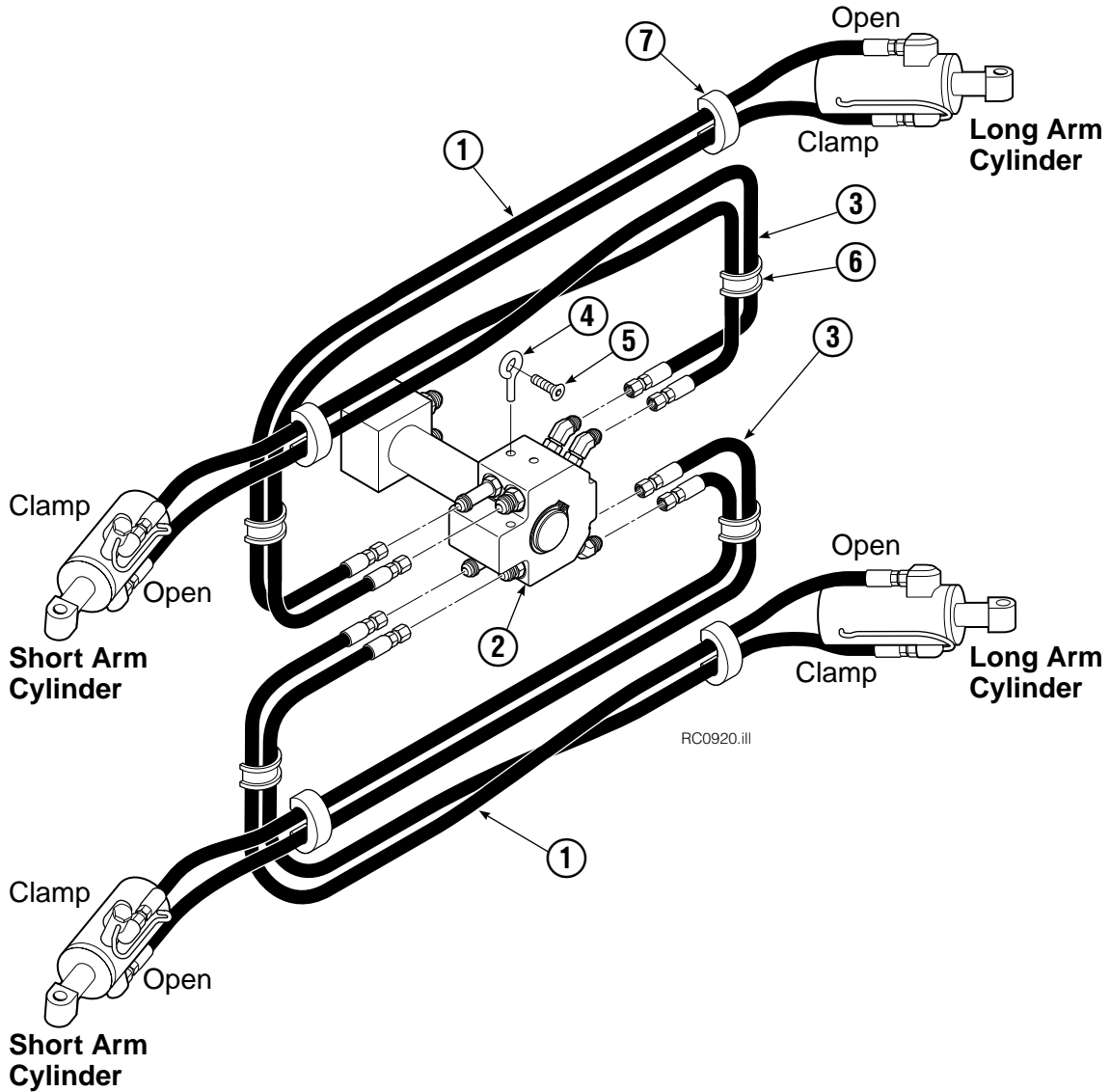


RC0126.iii

90F			
REF	QTY	PART NO.	DESCRIPTION
		206686	Components Group
1	8	660200	Shim
2	24	768809	Capscrew, M8 x 16-8.8
3	8	206589	Retainer
4	8	680651	Pin
5	8	673385	Drive Pin
6	4	206591	Retainer
7	4	675022	Pin
8	4	681673	Spacer
9	16	673379	Shim
10	4	675086	Drive Pin

Reference: SK-5314, SK-5315.

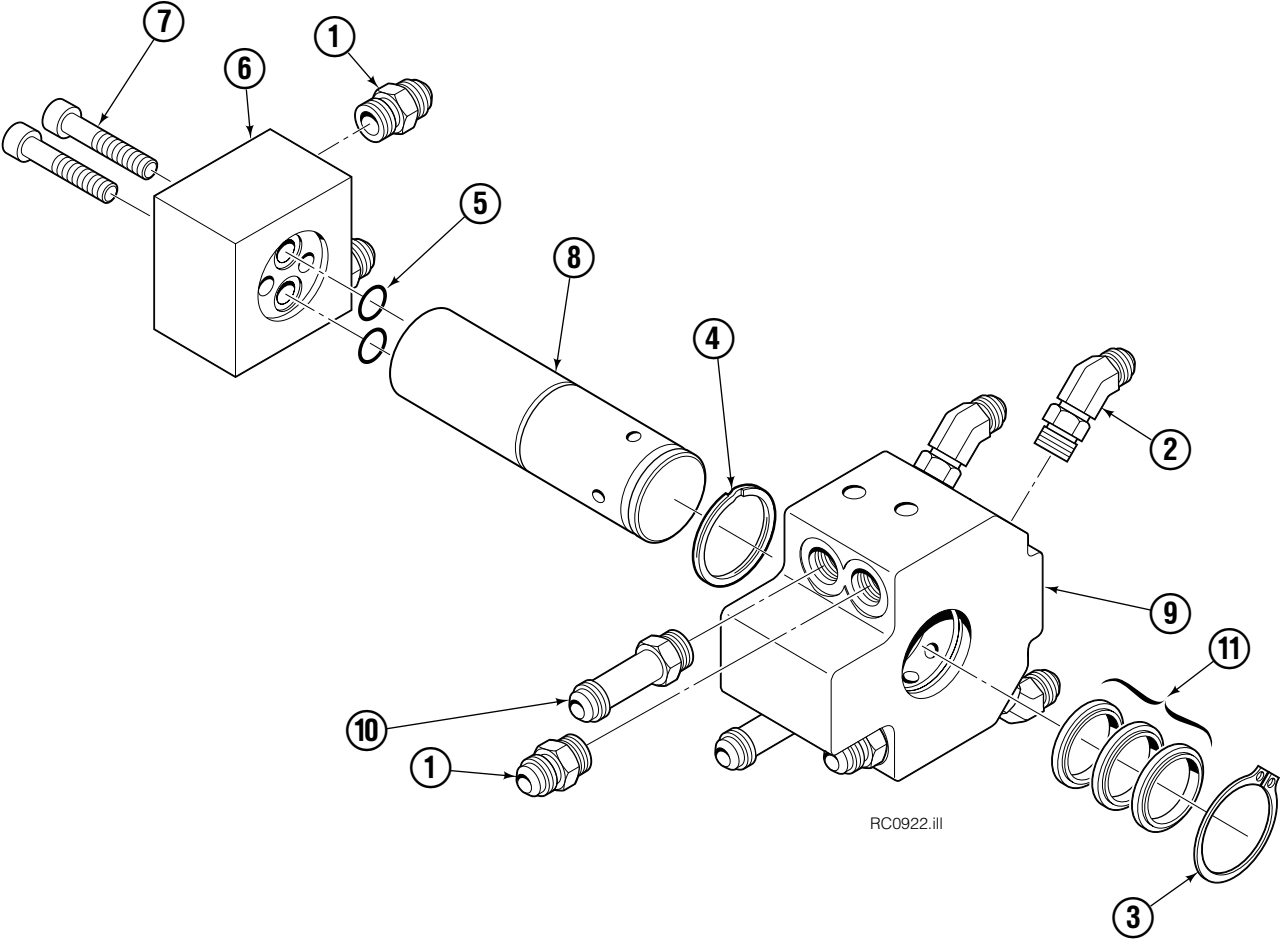
# Hosing Group



90F			
REF	QTY	PART NO.	DESCRIPTION
		223425	Hosing Group
1	4	680238	Hose, 58.75in.
2	1	222681	Revolving Connection ▲
3	4	681286	Hose, 65 in.
4	2	227962	Eye Pin
5	2	768697	Capscrew
6	4	680114	Insert
7	4	673417	Segment

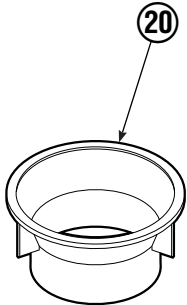
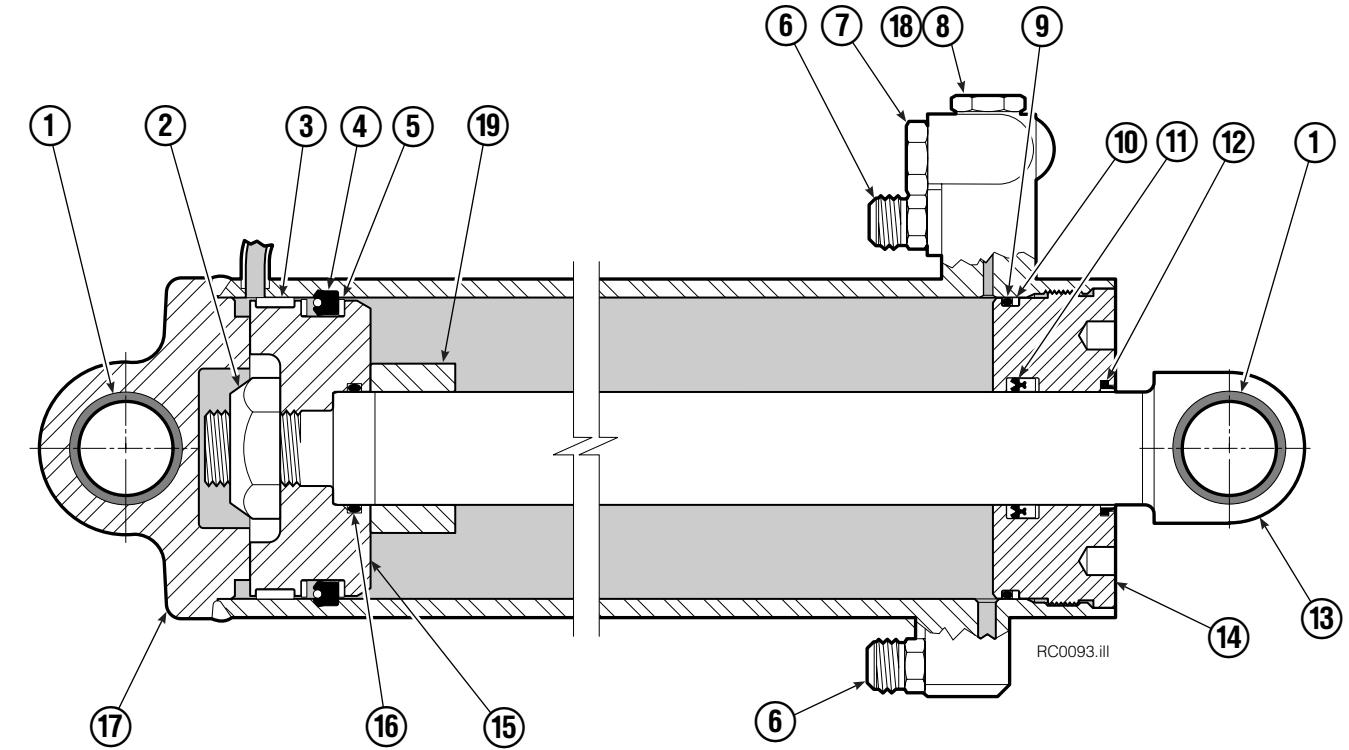
▲ See Revolving Connection page for parts breakdown.  
Reference: Common Parts Group 223426.

# Revolving Connection



REF	QTY	PART NO.	DESCRIPTION
		222681	Revolving Connection
1	4	604511	Fitting, 6-6
2	4	611302	Fitting, 6-6
3	1	3138	Snap Ring
4	1	7341	Snap Ring
5	2	564448	O-Ring
6	1	222684	End Block
7	2	768798	Capscrew, M8 x 40
8	1	222674	Shaft
9	1	222671	Body
10	2	605743	Fitting Adapter
11	3	214649	Seal
		222694	Service Kit

# Short Arm Cylinder

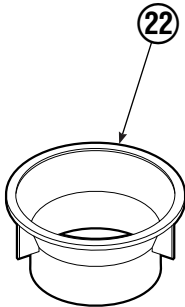
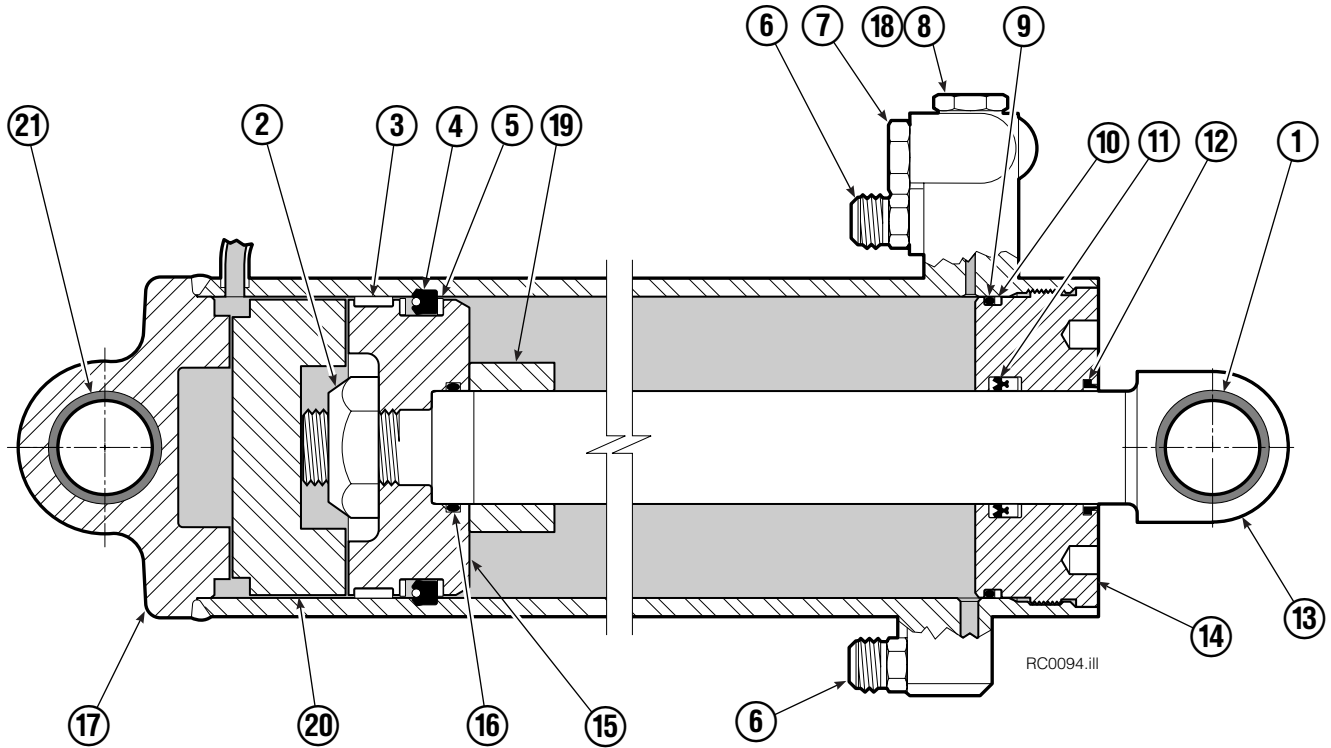


REF	QTY	PART NO.	DESCRIPTION
		557363	Cylinder Assembly
1	3	674843	Bearing
2	1	560997	Nut
3	1	674843	Bearing ♦
4	1	662462	Seal ♦
5	2	638295	Back-Up Ring ♦
6	2	604511	Fitting, 6-6
7	1	556852	Fitting, 4
8	1	557212	Check Valve
9	1	2801	O-Ring ♦
10	1	562731	Back-Up Ring ♦
11	1	554598	Seal ♦
12	1	628047	Wiper ♦
13	1	555393	Rod
14	1	555724	Retainer
15	1	557389	Piston
16	1	2722	O-Ring ♦
17	1	555741	Shell
18	1	667516	Check Valve Service Kit
19	1	-	Spacer
20	1	669243	Seal Loader
		555725	Service Kit

♦ Included in Service Kit 555725.

Reference: S-5313, S-5314.

# Long Arm Cylinder

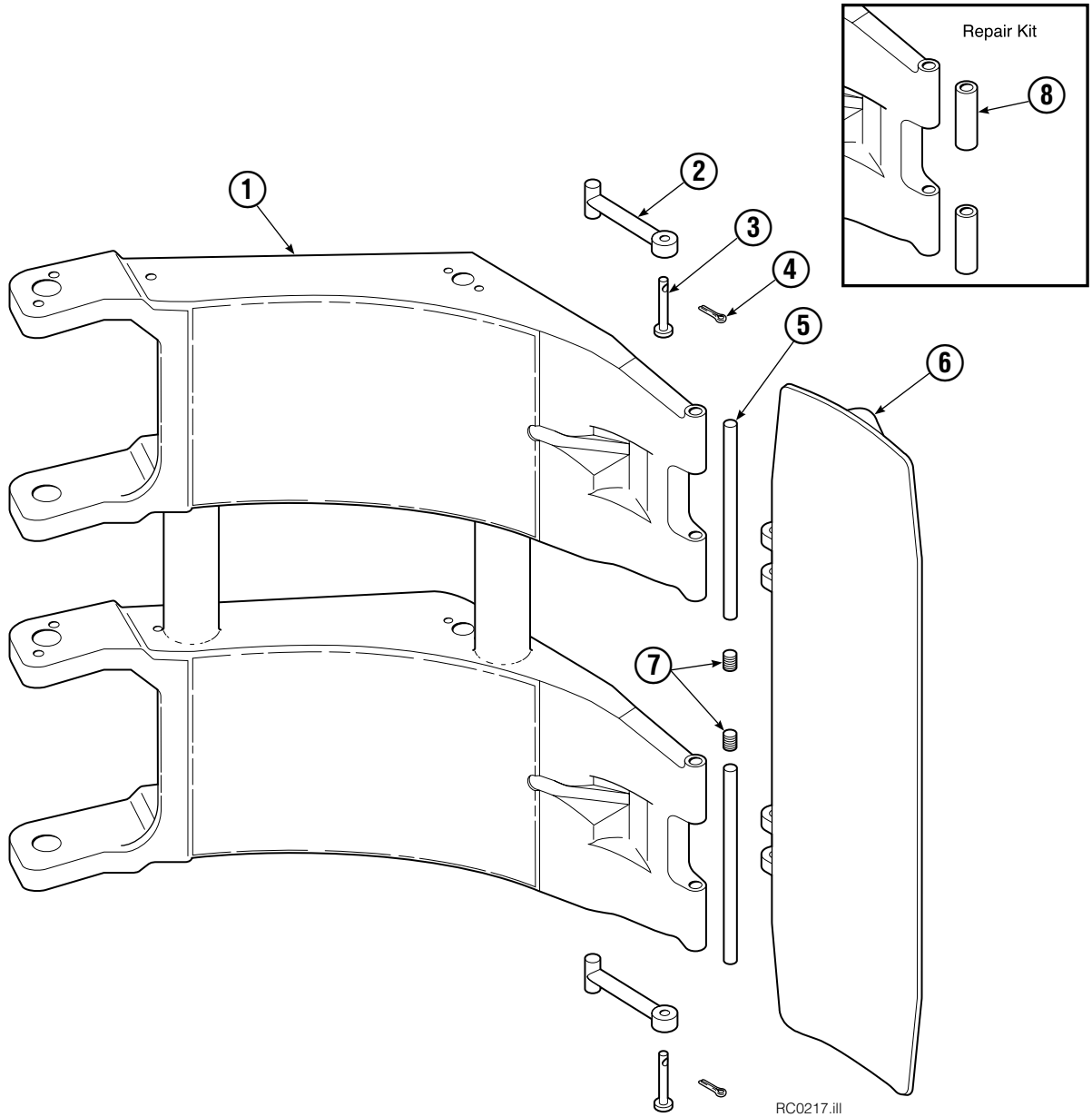


REF	QTY	PART NO.	DESCRIPTION
		580171	Cylinder Assembly
1	1	674843	Bearing
2	1	560997	Nut
◆3	1	660769	Bearing
◆4	1	662462	Seal
◆5	2	638295	Back-Up Ring
6	2	604511	Fitting, 6-6
7	1	556852	Fitting, 4
8	1	557212	Check Valve
◆9	1	2801	O-Ring
◆10	1	583977	Back-Up Ring
◆11	1	554598	Seal
◆12	1	628047	Wiper
13	1	557405	Rod
14	1	555724	Retainer
15	1	557389	Piston
◆16	1	2722	O-Ring
17	1	558353	Shell
18	1	667516	Check Valve Service Kit
19	1	—	Spacer
20	1	—	Spacer
21	2	675006	Bearing
22	1	669243	Seal Loader
		555725	Service Kit

◆ Included in Service Kit 555725.

Reference: S-5320, S-5321.

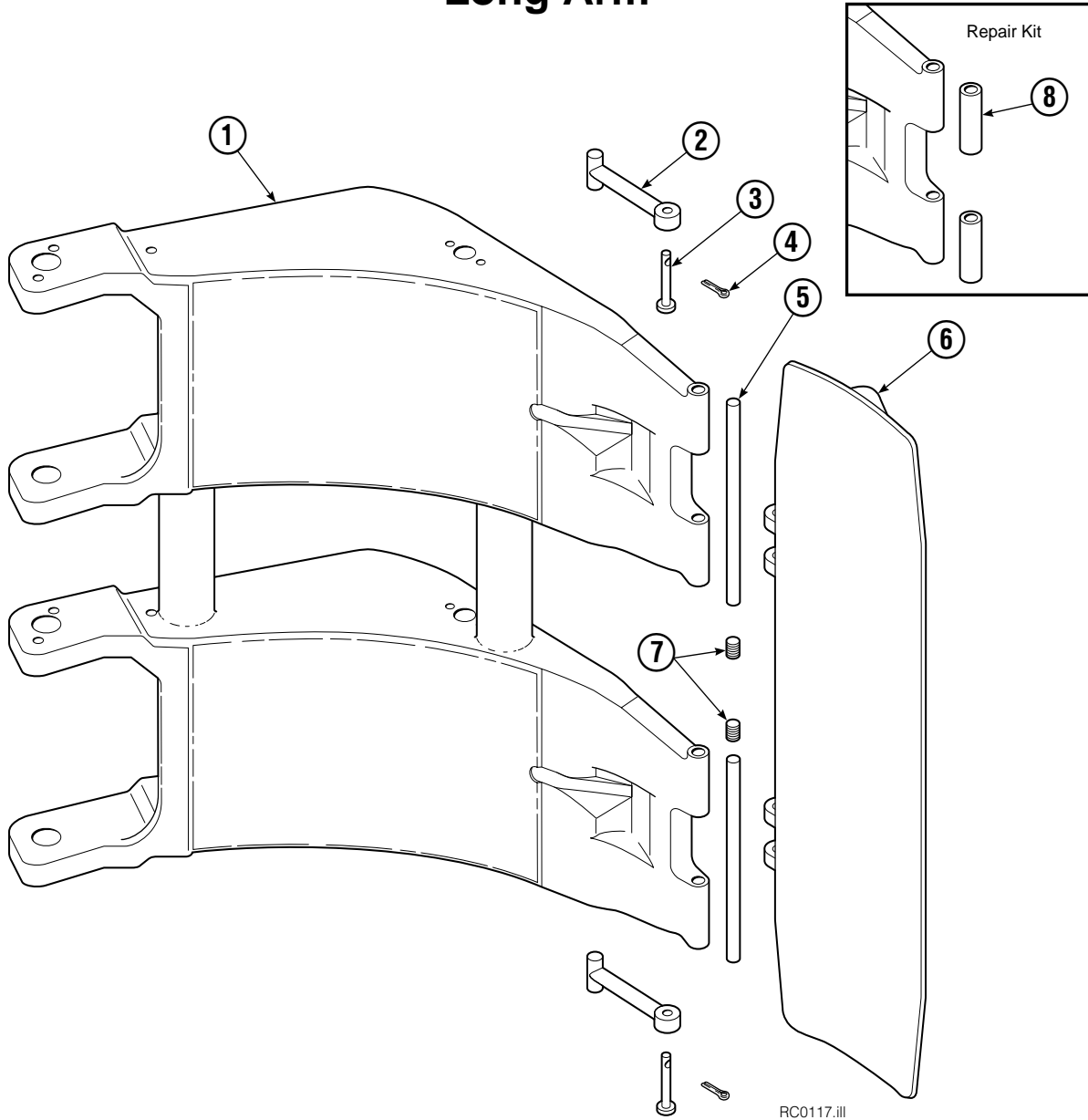
# Short Arm



90F			
REF	QTY	PART NO.	DESCRIPTION
		674948	Contact Pad Group ▲
1	1	206672	Short Arm
2	2	674994	Link
3	2	682978	Clevis Pin
4	2	6525	Cotter Pin
5	2	674993	Pin
6	1	674962	Contact Pad
7	2	689900	Plug
8	1	676810	Arm Tip Repair Kit

▲ Includes items 2 through 7 only.

# Long Arm

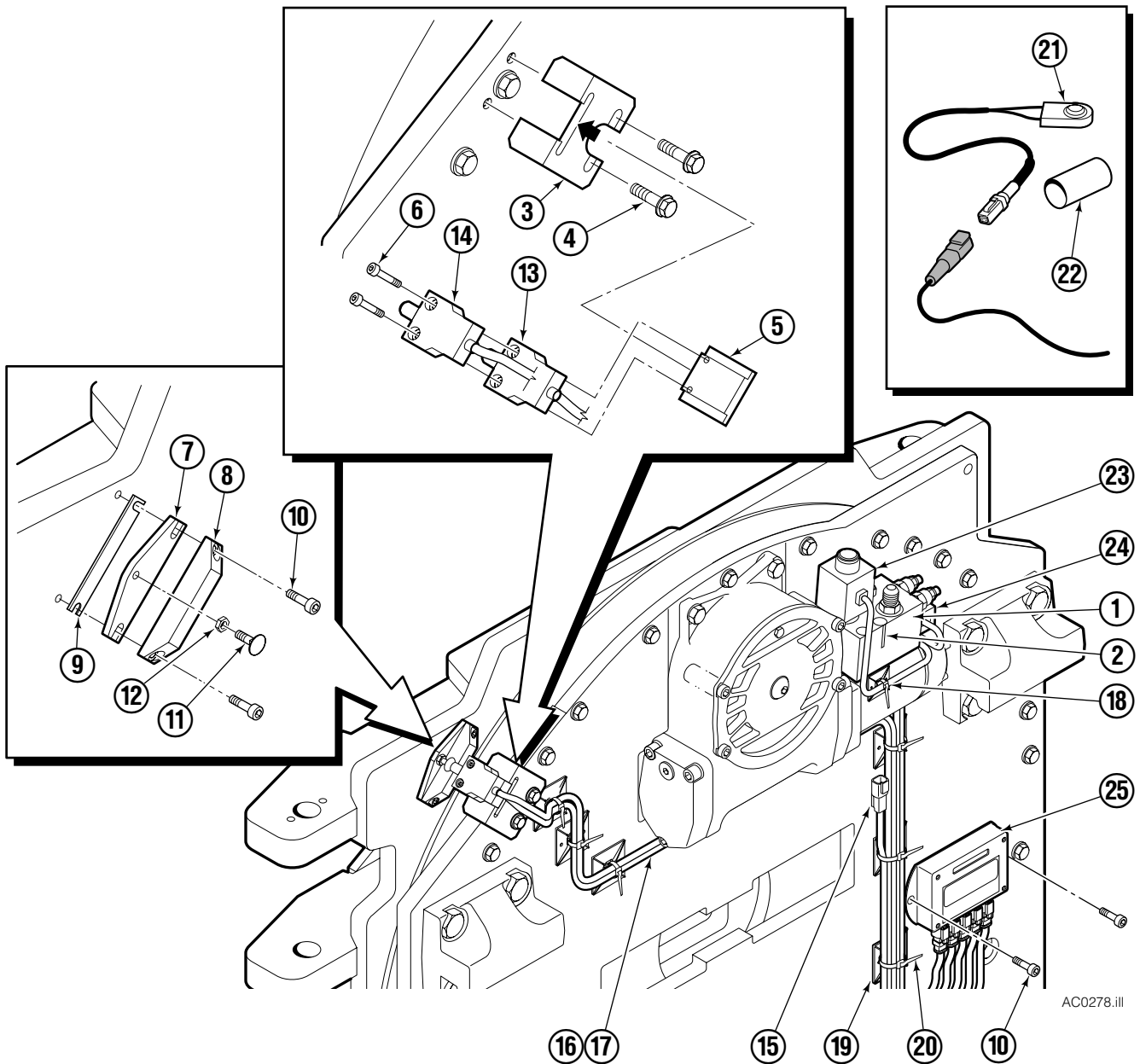


RC0117.iii

90F			
REF	QTY	PART NO.	DESCRIPTION
		206598	Contact Pad Group ▲
1	1	206673	Long Arm
2	2	674994	Link
3	2	682978	Clevis Pin
4	2	6525	Cotter Pin
5	2	674993	Pin
6	1	206601	Contact Pad
7	2	689900	Plug
8	1	676810	Arm Tip Repair Kit

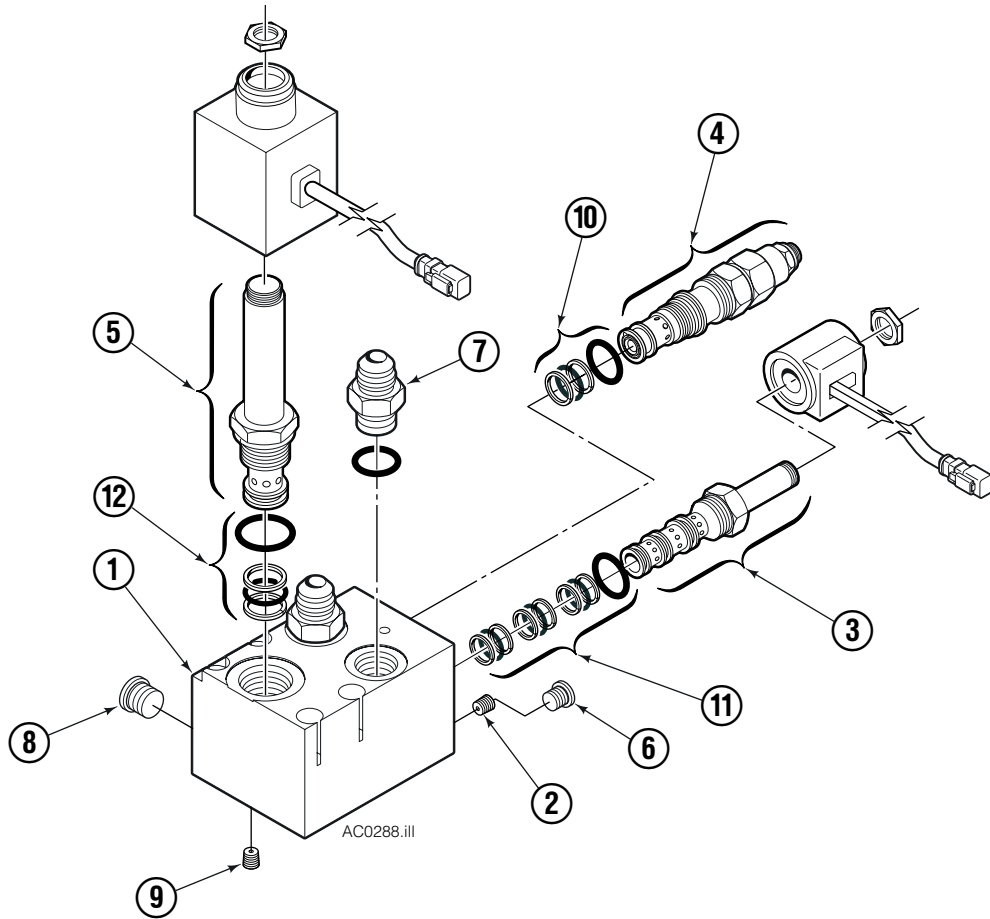
▲ Includes items 2 through 7 only.

# Rotational Control Package



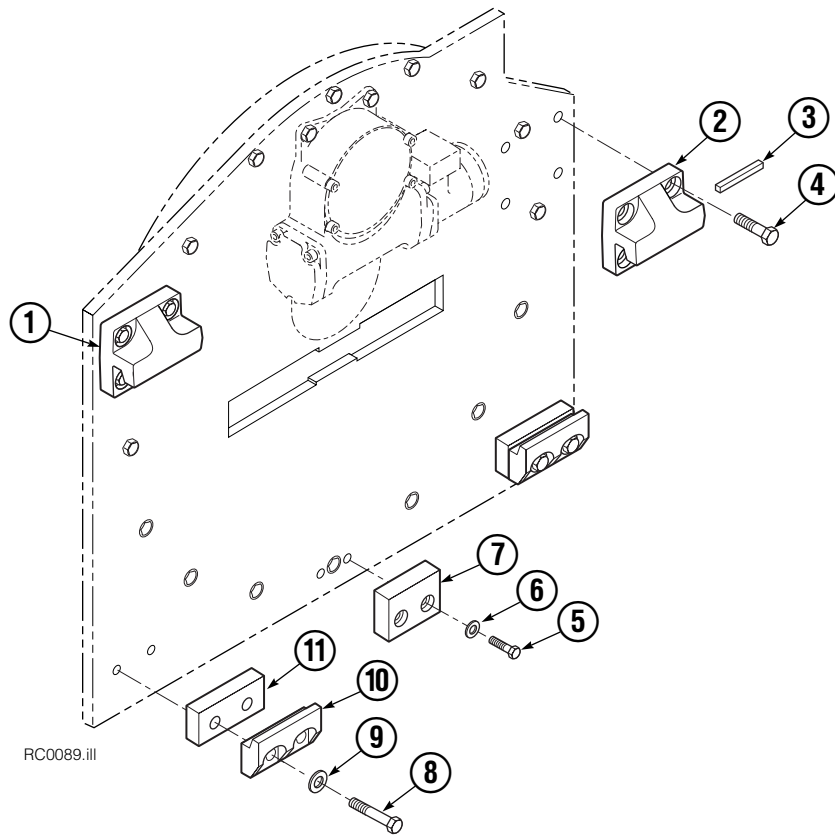
90F							
REF	QTY	PART NO.	DESCRIPTION	REF	QTY	PART NO.	DESCRIPTION
		228705	Rotational Control Package	15	1	222023	Power Cable
1	1	6001035	Valve Assembly	16	1	228720	Ext. Cable Assy.
2	4	607060	Capscrew	17	1	228721	Ext. Cable Assy.
3	1	222021	Switch Mounting Bracket	18	2	6002501	Cable Tie Anchor
4	2	6002668	Flange Screw	19	7	6002451	Cable Tie Anchor
5	1	222020	Switch Mounting Plate	20	9	6002479	Cable Tie
6	2	768784	Capscrew	21	1	6001663	Switch Assy
7	3	228700	Plate Stop	22	1	6001641	Shrink Tubing
8	3	228701	Block Decel	23	1	6003161	Solenoid/Cable Assy.
9	3	6009228	Shim	24	1	6003169	Solenoid/Cable Assy.
10	8	761170	Capscrew	25	1	227888	Relay Enclosure Assy.
11	3	228690	Carriage Bolt			6009181	Thread Cutting Tap, M6 (not shown)
12	3	765718	Nut			6009182	Thread Cutting Tap, M8 (not shown)
13	1	222024	Switch/Cable Assy.			6009185	Twist Drill, 5.3mm (not shown)
14	1	222256	Switch/Cable Assy.			6009186	Twist Drill, 7.3mm (not shown)

# Solenoid Valve



REF	QTY	PART NO.	DESCRIPTION
		6001035	Valve Assembly without Coils
1	1	220565	Valve Body
2	4	220641	Orifice
3	1	220627	Solenoid Valve
4	2	6003173	Valve
5	1	221722	Solenoid Valve
6	2	663694	Fitting, 3
7	3	601377	Fitting, 8
8	3	604510	Fitting, 6
9	3	228698	Orifice
10	2	667516	Service Kit
11	1	221049	Service Kit
12	1	6031791	Service Kit

# Bolt-On Mounting Group



Class IV, 1.8°			
REF	QTY	PART NO.	DESCRIPTION
		684880	Mounting Group
1	1	684877	Upper Hook – LH
2	1	675061	Upper Hook – RH
3	1	670704	Stop Kit
4	8	679082	Capscrew, M20 x 35
5	2	768810	Capscrew, M10 x 30
6	2	680030	Lockwasher, M10
7	1	681057	Center Spacer
8	4	676854	Capscrew, M20 x 60
9	4	670692	Washer
10	2	679832	Lower Hook
11	2	681056	Spacer

Reference: SK-5286.

**Do you have questions you need answered right now?** Call your nearest Cascade Parts Department.

**Cascade Corporation**  
2501 Sheridan Avenue  
Springfield, OH 45505  
Tel: 888-CASCADE (227-2233)  
FAX: 888-329-0234

**Cascade Canada Inc.**  
5570 Timberlea Blvd.  
Mississauga, Ontario  
Canada L4W-4M6  
Tel: 905-629-7777  
FAX: 905-629-7785

**Cascade GmbH**  
D-41 199 Monchengladbach  
Klosterhofweg 52  
Germany  
Tel: 21-66-602091  
FAX: 21-66-680947

**Cascade Finland**  
01370 Vantas  
Finland  
Tel: 358-0-836-1925  
FAX: 358-0-836-1935

**Cascade N.V.  
European Headquarters**  
P.O. Box 3009  
1300 El Almere  
Damsluisweg 56  
1332 ED Almere  
The Netherlands  
Tel: 31-36-5492911  
FAX: 31-36-5492964

**Cascade N.V.  
Benelux Sales and Service**  
P.O. Box 3009  
1300 El Almere  
Damsluisweg 56  
1332 ED Almere  
The Netherlands  
Tel: 31-36-5492950  
FAX: 31-36-5492974

**Cascade (UK) Ltd.**  
15, Orgreave Crescent  
Dore House Industrial Estate  
Handsworth  
Sheffield S13 9NQ  
England  
Tel: 742-697524  
FAX: 742-695121

**Cascade Scandinavia  
Hydraulik A.B.**  
Muskötgatan 19, E8-9  
S25466 Helsingborg  
Sweden  
Tel: 42-151135  
FAX: 42-152997

**Cascade Norway**  
Østerliveien 37A  
1153 Oslo  
Norway  
Tel: 47-22-743160  
FAX: 47-22-743157

**Cascade France S.A.R.L.**  
11, Rue Jean Charcot  
Zone Industrielle Sud or  
B.P. 22  
91421 Morangis Cedex  
France  
Tel: 1- 64547501  
FAX: 1-9790584

**Cascade Hispania S.A.**  
Avenida De La Fabregada, 7  
Hospitalet De Llobregat  
Barcelona  
Spain  
Tel: 3-335-5158  
FAX: 3-335-4756

**Cascade Japan Ltd.**  
5-5-41,  
Torikai Kami  
Settsu, Osaka  
Japan, 566  
Tel: 81-726-53-3490  
FAX: 81-726-53-3497

**Cascade Korea**  
Room 508, Pum Yang Bldg.  
750-14, Bang Bac-Dong  
Se-Cho Ku, Seoul  
Korea  
Tel: 2599-7131 ext. 512  
FAX: 2533-8089

**HYCO-Cascade Pty. Ltd.**  
1445 Ipswich Road  
Rocklea,  
Queensland 4107  
Australia  
Tel: 3-274-2722  
FAX: 3-274-3456

**HYCO-Cascade (NZ) Ltd.**  
15 Ra Ora Drive, East Tamaki  
P.O. Box 38-440  
Howick, Auckland  
New Zealand  
Tel: 9-273-9136  
FAX: 9-273-9137

**Cascade (Africa) Pty. Ltd.**  
P.O. Box 625, Isando 1600  
60A Steel Road  
Sparton, Kempton Park  
South Africa  
Tel: 975-9240  
FAX: 394-1147

**Cascade-Xiamen**  
Wanshan No. 1 Workshop  
Huli Road  
Xiamen 361006  
Fujian, PRC  
Tel: 592-562-4600  
FAX: 592-562-4671

**Cascade (Singapore)  
Trading Co.**  
Four Seasons Park  
Autumn Block - Apt. 1802  
12 Cascaden Walk  
Singapore  
Tel: 65-834-1935  
FAX: 65-834-1936

