



Parts Manual

Model _____ **Paper Roll Clamp**

Serial Number _____ **120F-RCP-03CR0**

cascade[®]
corporation

For Technical Assistance call: 800-227-2233, Fax: 888-329-8207

To Order Parts call: 888-227-2233, Fax: 888-329-0234

OR

Write: Cascade Corporation, P.O. Box 20187, Portland, OR 97220

Internet: www.cascorp.com

Safety Decals

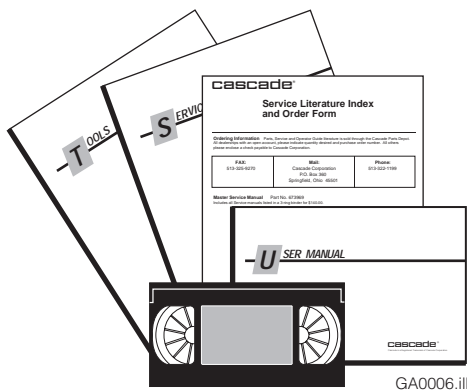


RC0636.ill



Roll Clamp Safety Decals			
REF	QTY	PART NO.	DESCRIPTION
1	6	665595	No Hand Hold Decal
2	3	660269	Short Arm Rotation Position Decal
3	4	656038	Caution Decal
4	4	679150	No Step Decal
5	4	665677	Trapped Pressure Decal
6	1	679059	Quick-Change Hook Decal

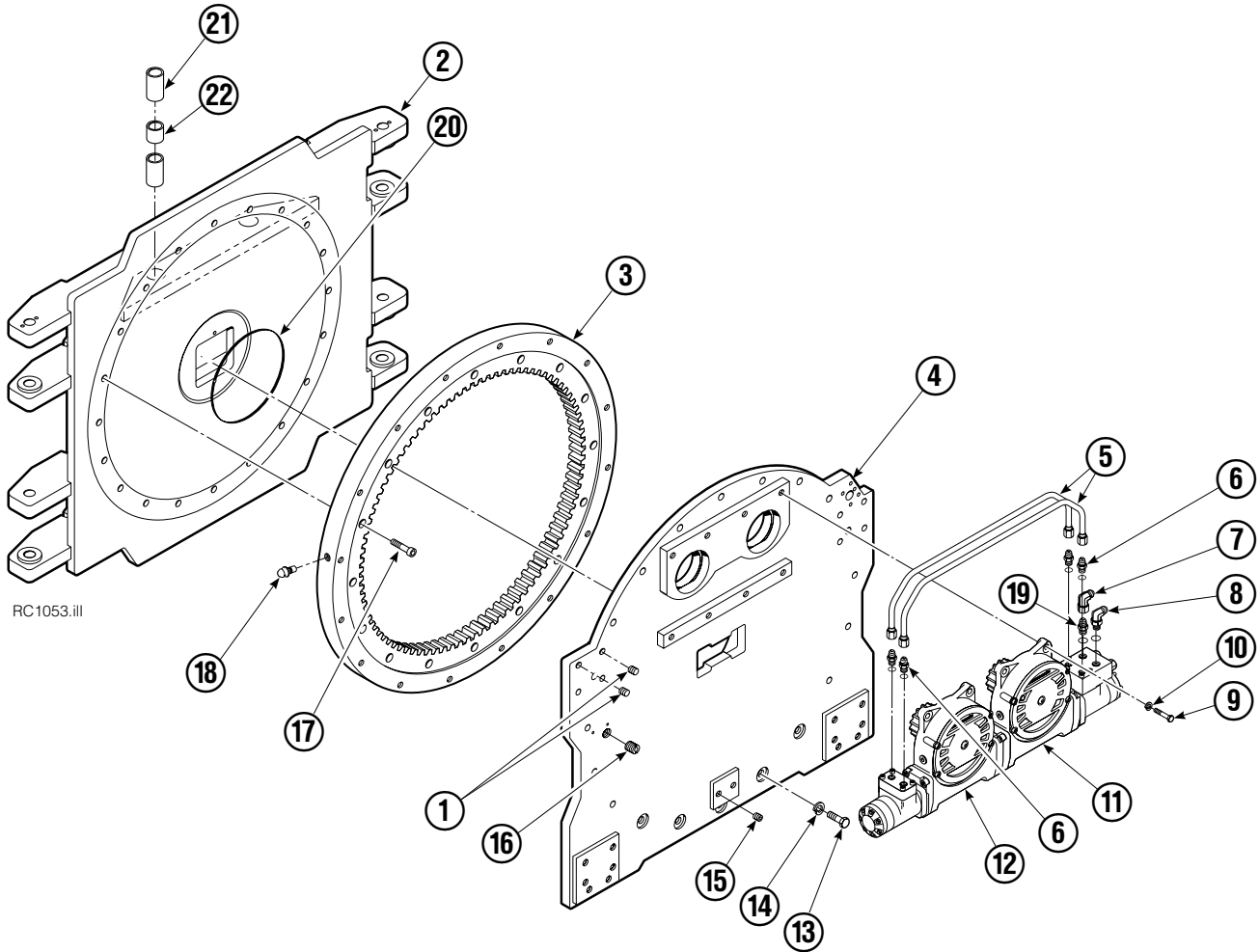
Publications



GA0006.ill

Roll Clamp Publications	
674512	Service Manual
674509	Operator's Guide – Fixed Frame
676268	Operator's Guide – Swing Frame
674510	Installation Instructions – Fixed Frame
674511	Installation Instructions – Swing Frame
677555	Driver Training Video – VHS
678363	Troubleshooting Video – VHS
680664	Servicing Cascade Cylinders – VHS
679929	Tool Catalog
673964	Literature Index Order Form

Frame Group



RC1053.iii

120F							
REF	QTY	PART NO.	DESCRIPTION	REF	QTY	PART NO.	DESCRIPTION
		377655	Base Unit Group	12	1	222379	Drive Group - L.H. ●
1	18	631428	Plug ▲	13	16	643574	Capscrew, 3/4 NC x 2.25 GR8
2	1	377656	Frame	14	16	6294	Lockwasher
3	1	670782	Bearing Assembly	15	2	631427	Plug
4	1	352120	Baseplate	16	1	6612	Plug
5	2	670786	Tube Assembly	17	16	607105	Capscrew, 3/4 NC x 2.00 GR8
6	4	662187	Fitting, 8-6	18	1	7401	Grease Fitting
7	1	605761	Fitting, 8-8	19	1	601377	Fitting, 8-8
8	1	601250	Fitting, 8-8	20	1	670931	Seal
9	8	661742	Capscrew, 1/2 NC x 1.25 GR5	21	8	675007	Bushing ■
10	8	6290	Lockwasher	22	-	-	Bushing ■
11	1	222378	Drive Group - R.H. ●			672483	Bearing Service Kit

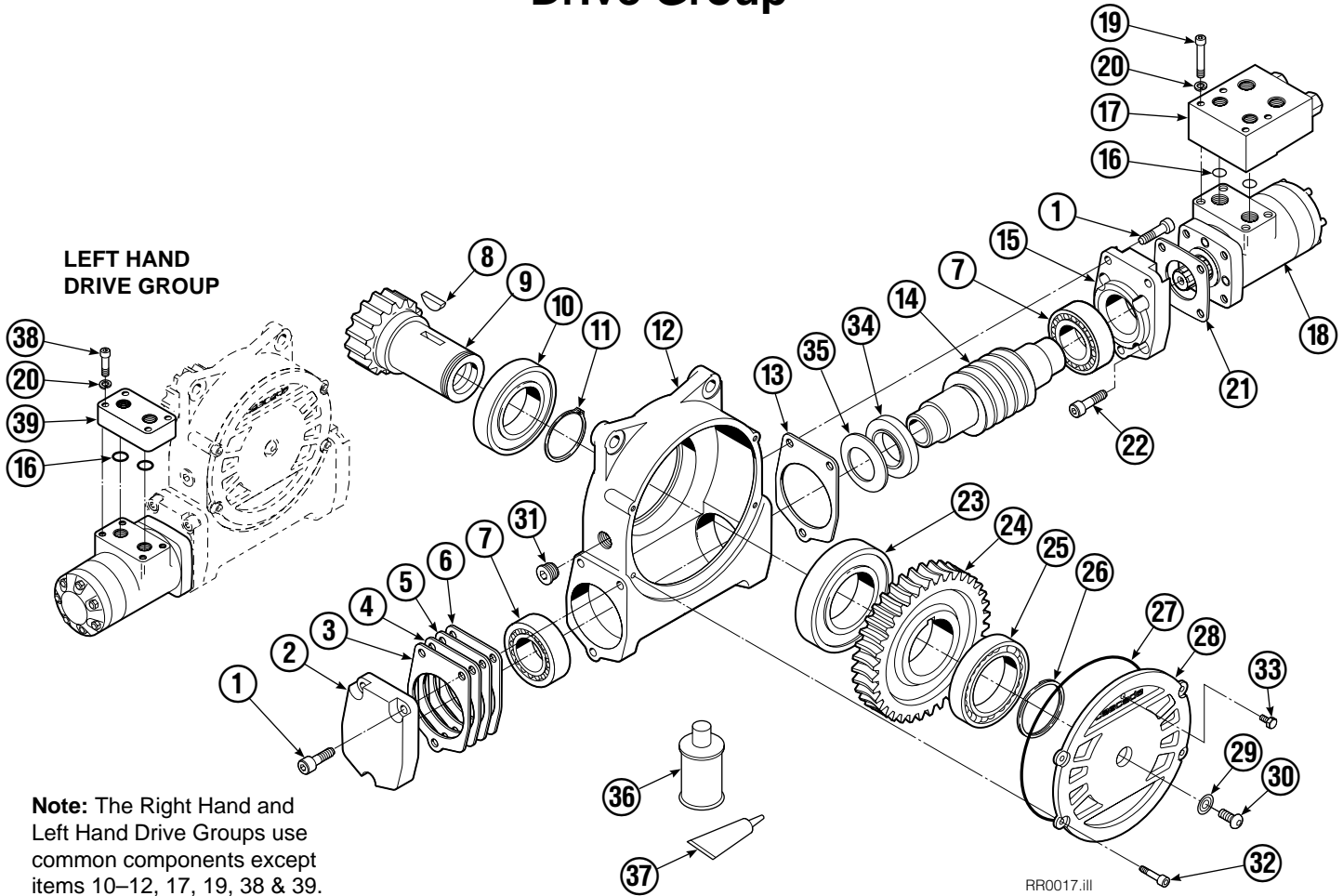
▲ Plugs are used as dust covers for bearing assembly.

● See Drive Group page for parts breakdown.

■ Included in Frame Assembly.

Reference: Common Parts Group 670781, SK-5382.

Drive Group



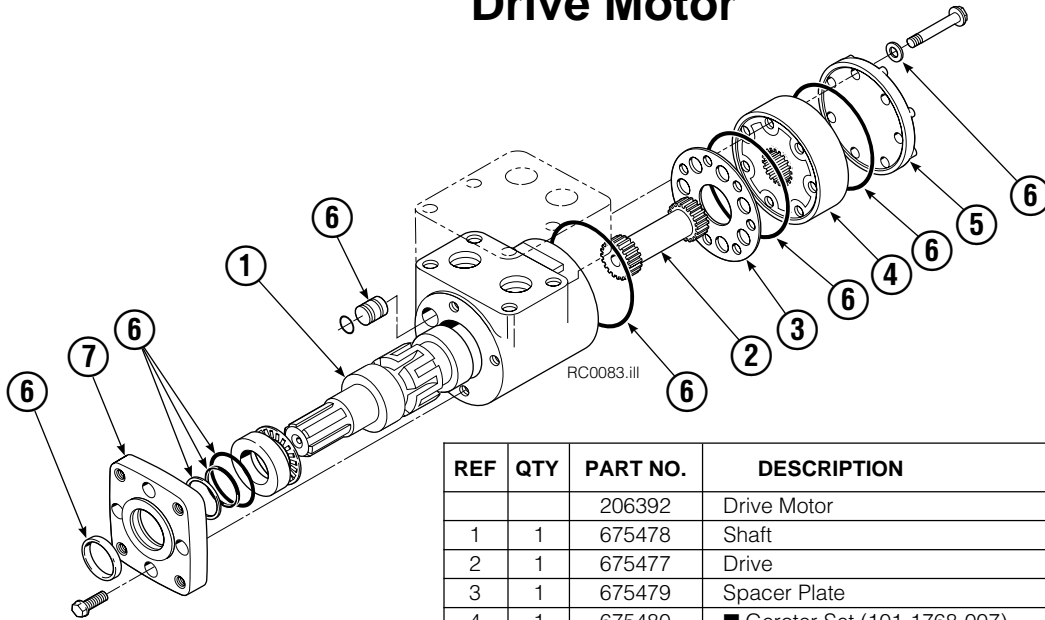
Note: The Right Hand and Left Hand Drive Groups use common components except items 10–12, 17, 19, 38 & 39.

REF	QTY	PART NO.	DESCRIPTION	REF	QTY	PART NO.	DESCRIPTION
		222378	Drive Group – R.H.	21	1	670575	Gasket
		222379	Drive Group – L.H.	22	4	4468	Capscrew, 3/8 NC x .75 GR8
1	6	769570	Capscrew, M12 x 25	23	1	670580	Bearing
2	1	211774	Cover	24	1	676448	Worm Gear
3	●	674513	Shim – .005" (blue)	25	1	670581	Bearing
4	●	670574	Shim – .010" (brown)	26	1	7214	Snap Ring
5	●	671757	Shim – .015" (pink)	27	1	643423	O-Ring
6	●	671758	Shim – .020" (yellow)	28	1	775552	Cover
7	2	670579	Bearing	29	2	783609	Seal
8	1	670582	Key	30	1	783608	Capscrew, M10 x 16
9	1	670559	Pinion	31	1	604510	Plug
10	1	670560	Bearing, R.H.	32	4	200882	Capscrew, M8 x 20
11	1	3160	Snap Ring, R.H.	33	1	644010	Relief Fitting
12	1	775551	Housing, R.H.	34	1	672448	Washer
12	1	222390	Housing, L.H.	35	1	672449	Washer Spring
13	1	686465	Gasket	36	1	656300	Gear Box Lube - 48 oz.
14	1	676447	Worm	37	1	668184	Sealant
15	1	775553	Adapter	38	4	607054	Capscrew, 5/16 NC x .75 GR8
16	2	2705	O-Ring	39	1	670563	Manifold – L.H. only
17	1	670561	Check Valve – R.H. only ♦			670578	Shim Service Kit (items 3-6, 13, 27 & 37)
18	1	206392	Drive Motor ♦			671583	Bearing Service Kit (items 23, 27 & 37)
19	4	607060	Capscrew, 5/16 x 2.00, R.H.			206394	Drive Motor Kit (items 13, 18, 21 & 37)
20	4	6444	Lockwasher				

- Quantity as required.
- ◆ See Drive Motor page for parts breakdown.

Reference: Common Parts 222374, 222375.

Drive Motor

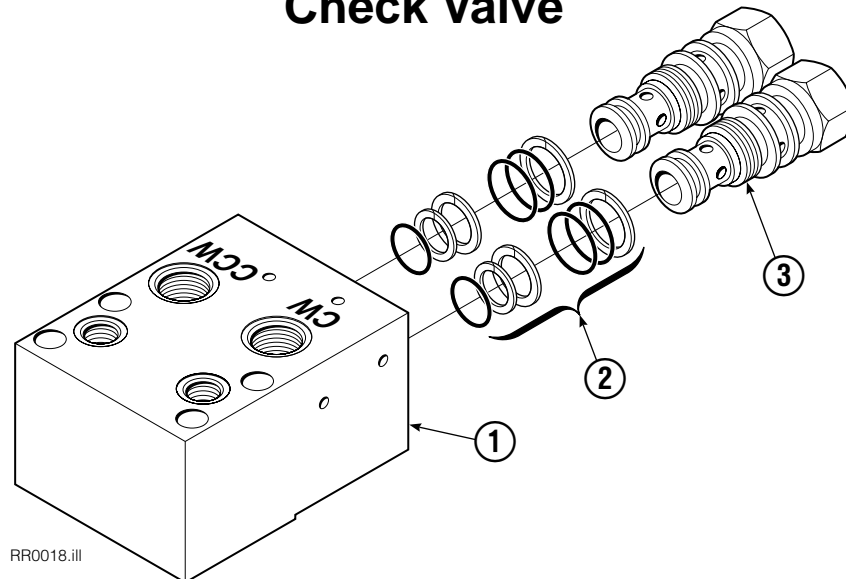


REF	QTY	PART NO.	DESCRIPTION
		206392	Drive Motor
1	1	675478	Shaft
2	1	675477	Drive
3	1	675479	Spacer Plate
4	1	675480	■ Gerotor Set (101-1768-007)
4	1	685075	■ Gerotor Set (101-1768-009)
5	1	675482	End Cap
6	1	206405	● Service Kit
7	1	685089	■ Flange (101-1768-007)
7	1	685090	■ Flange (101-1768-009)

Cascade provides service replacement parts for the listed parts only. Due to cost, if others parts need replacement, the complete drive motor should be replaced.

- See Nameplate under valve for correct part number of Gerotor Set and Flange.
- Compatible with water glycol based hydraulic fluids.

Check Valve



REF	QTY	PART NO.	DESCRIPTION
		670561	Check Valve Assembly
1	1	670583	Body
2	2	656223	Seal Kit
3	2	665097	Check Valve

Common Components

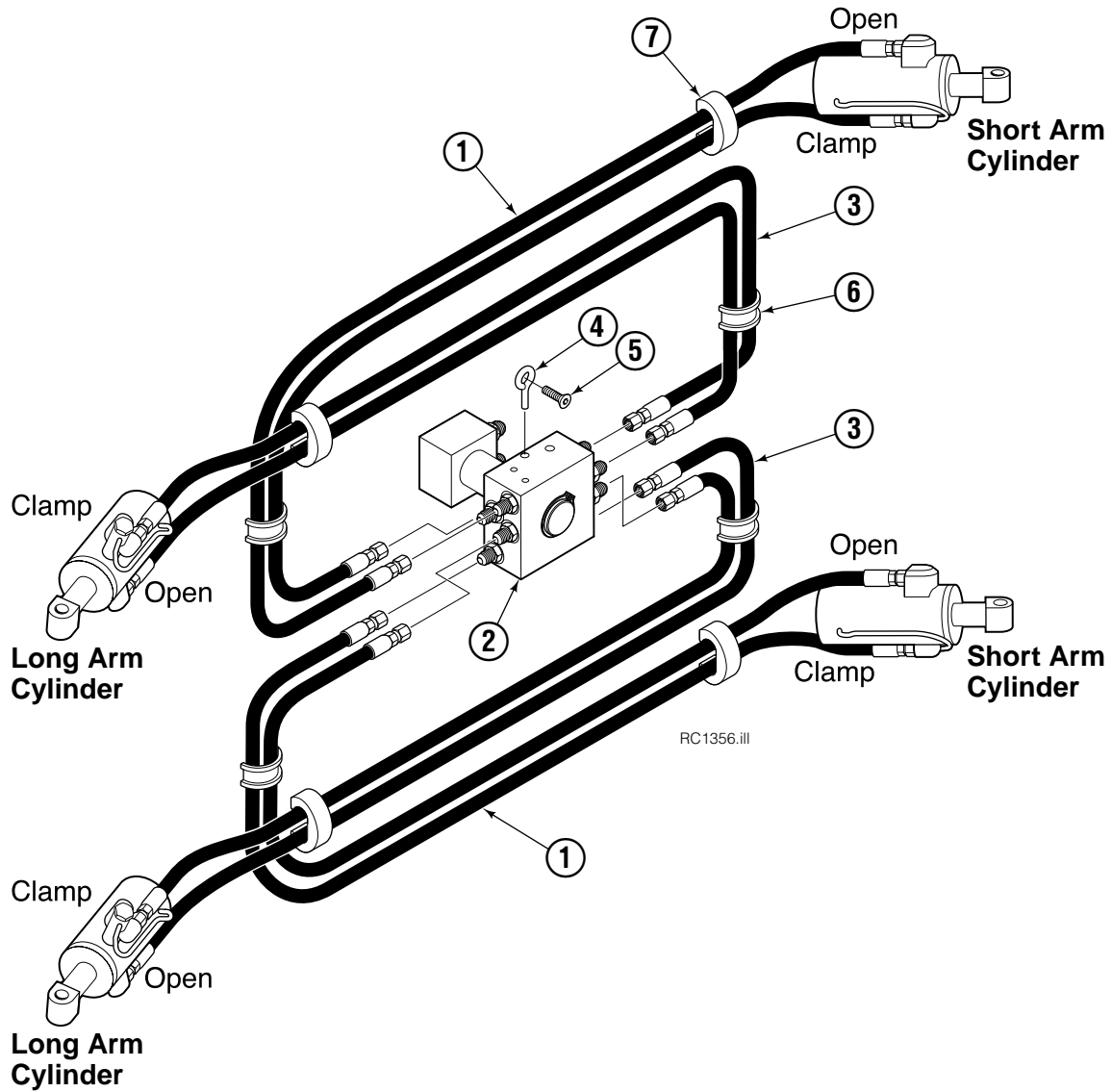


RC0126.iii

120F			
REF	QTY	PART NO.	DESCRIPTION
		206686	Components Group
1	8	660200	Shim
2	24	768809	Capscrew, M8 x 16-8.8
3	8	206589	Retainer
4	8	680651	Pin
5	8	673385	Drive Pin
6	4	206591	Retainer
7	4	675022	Pin
8	4	681673	Spacer
9	16	673379	Shim
10	4	675086	Drive Pin

Reference: SK-5314, SK-5315.

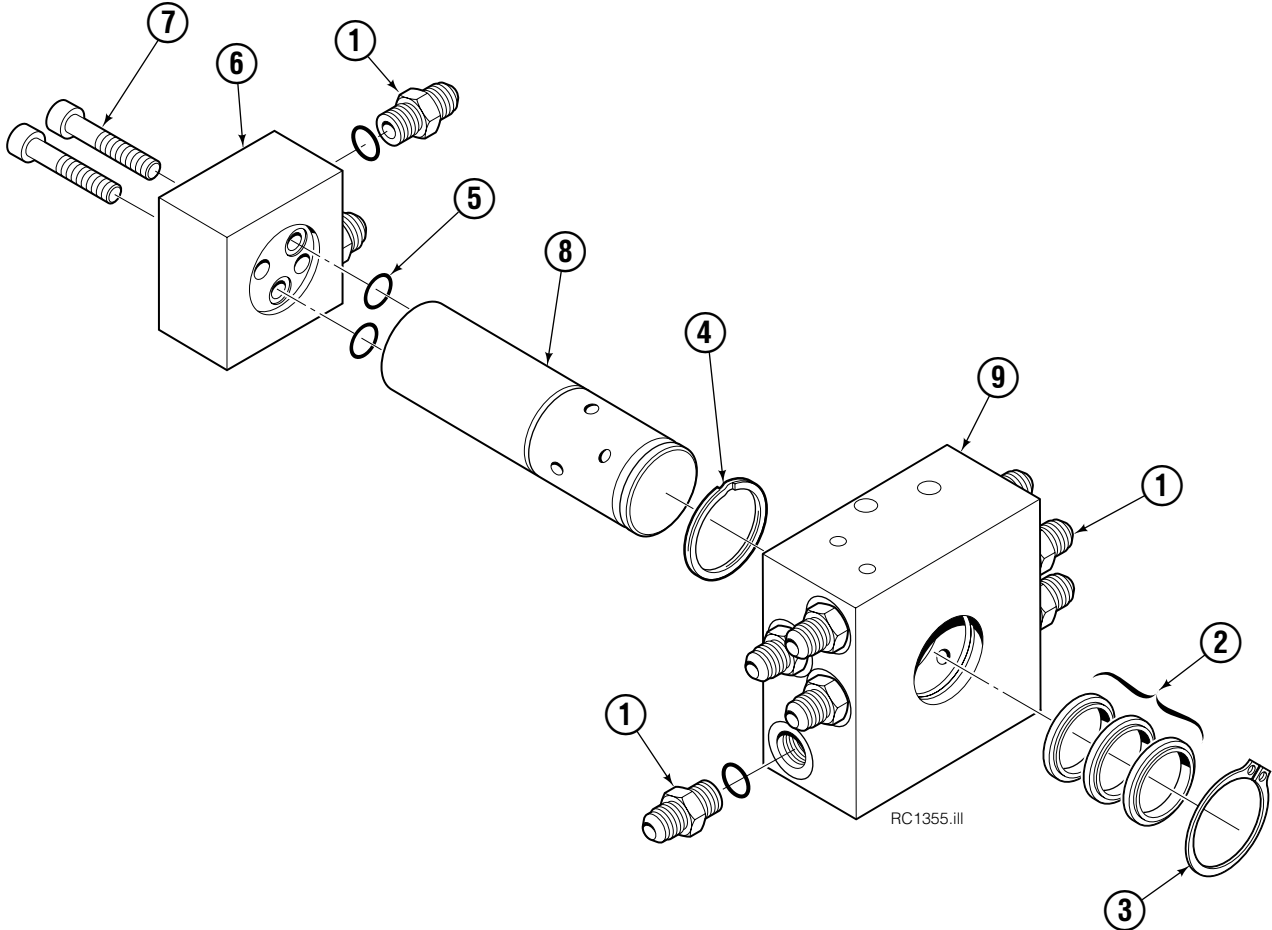
Hosing Group



REF	QTY	PART NO.	DESCRIPTION
		6014470	Hose Group
1	4	680239	Hose, 63.75 in.
2	1	6028288	Revolving Connection ▲
3	4	686458	Hose, 72.00 in.
4	2	227962	Eye Pin
5	2	768697	Capscrew, M10 x 25
6	4	680114	Insert
7	4	673417	Segment

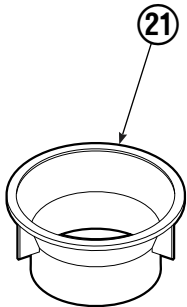
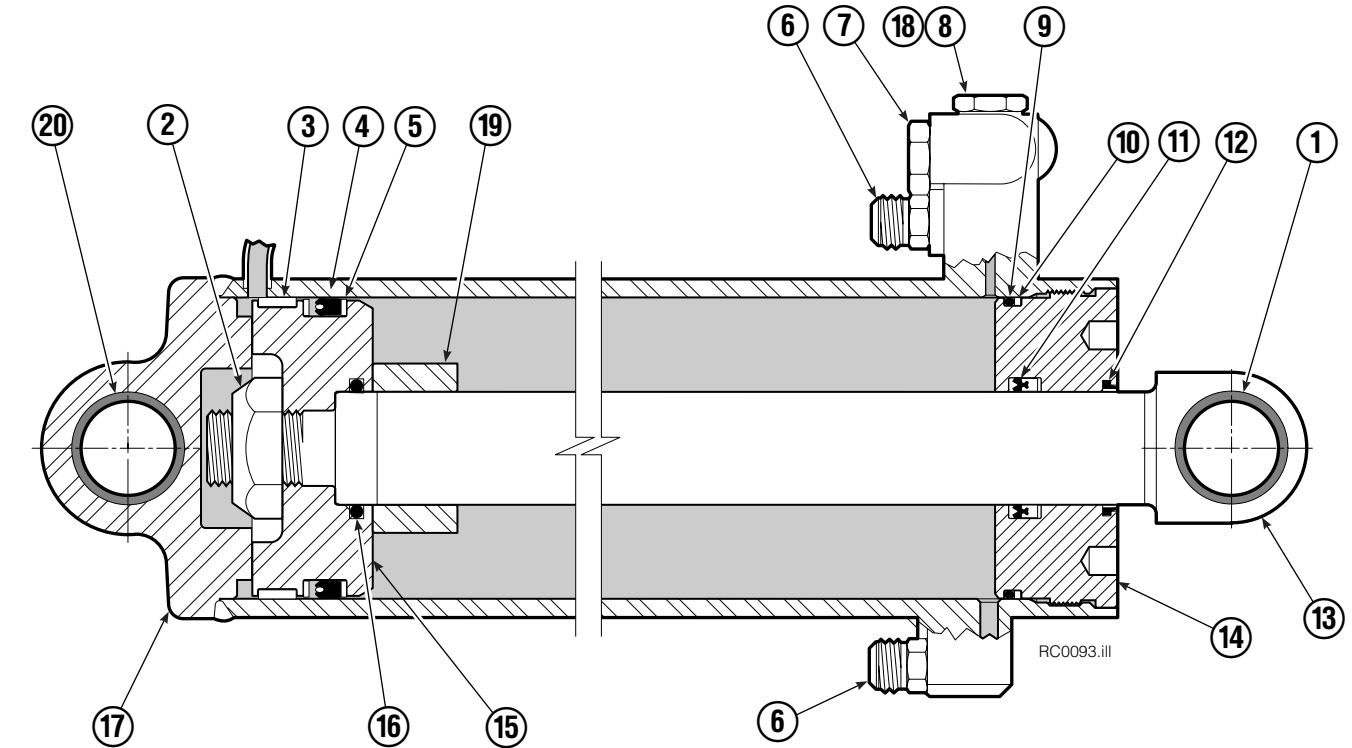
▲ See Revolving Connection page for parts breakdown.
Reference: 6001786 Common Parts.

Revolving Connection



REF	QTY	PART NO.	DESCRIPTION
		6028288	Revolving Connection
1	10	604511	Fitting, 6-6
2	3	214649	Seal
3	1	3138	Snap Ring
4	1	7341	Snap Ring
5	2	684587	O-Ring
6	1	6023344	End Block
7	2	768798	Capscrew, M8 x 40
8	1	6028289	Shaft
9	1	6023358	Body
		222694	Service Kit

Short Arm Cylinder

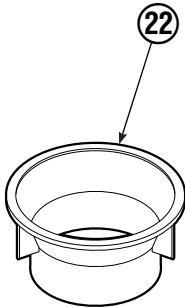
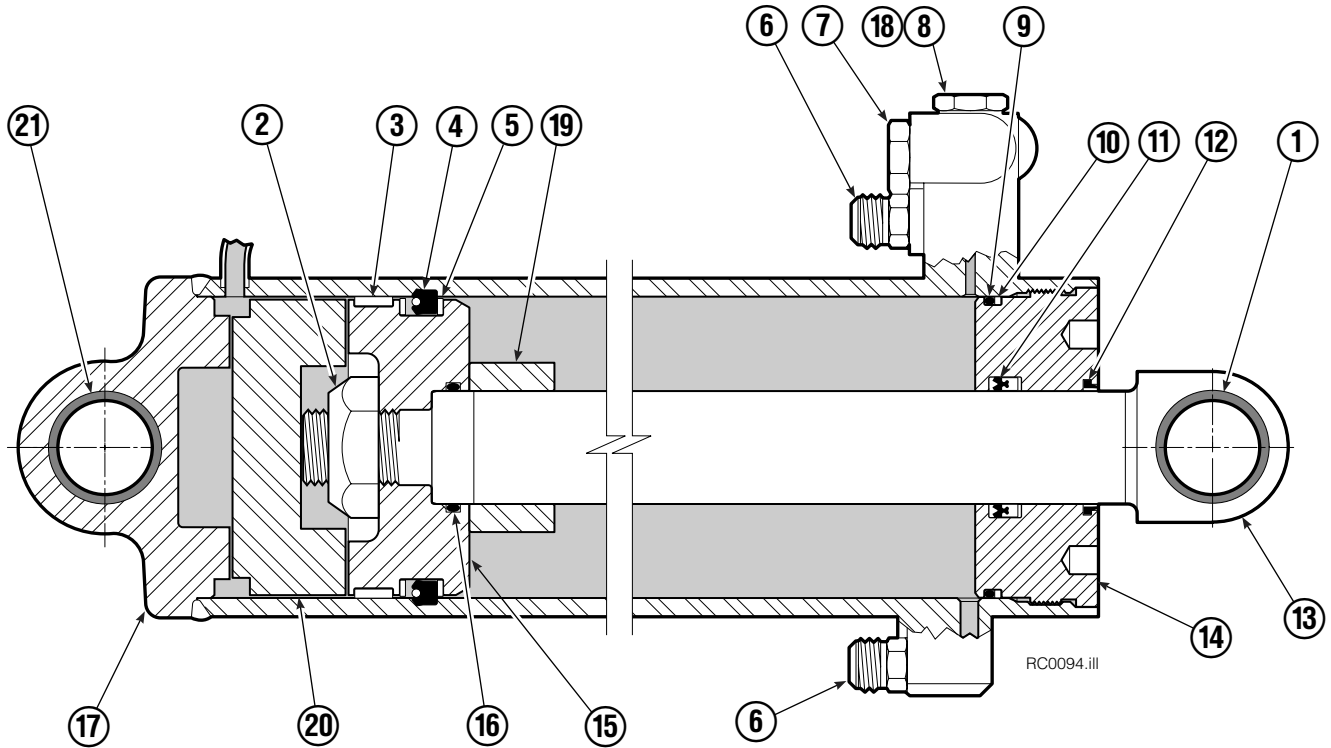


REF	QTY	PART NO.	DESCRIPTION
		338656	Cylinder Assembly
1	3	674843	Bearing
2	1	560997	Nut
3	1	674843	◆ Bearing
4	1	662462	◆ Seal
5	2	638295	◆ Back-Up Ring
6	2	604511	Fitting, 6-6
7	1	556852	Fitting, 4
8	1	557212	Check Valve
9	1	2801	◆ O-Ring
10	1	562731	◆ Back-Up Ring
11	1	554598	◆ Seal
12	1	628047	◆ Wiper
13	1	557651	Rod
14	1	555724	Retainer
15	1	557389	Piston
16	1	2722	◆ O-Ring
17	1	558373	Shell
18	1	667516	Check Valve Service Kit
19	1	-	Spacer
20	1	669243	Seal Loader
		555725	Service Kit

◆ Included in Service Kit 555725.

Ref: S-5313, S-5314

Long Arm Cylinder

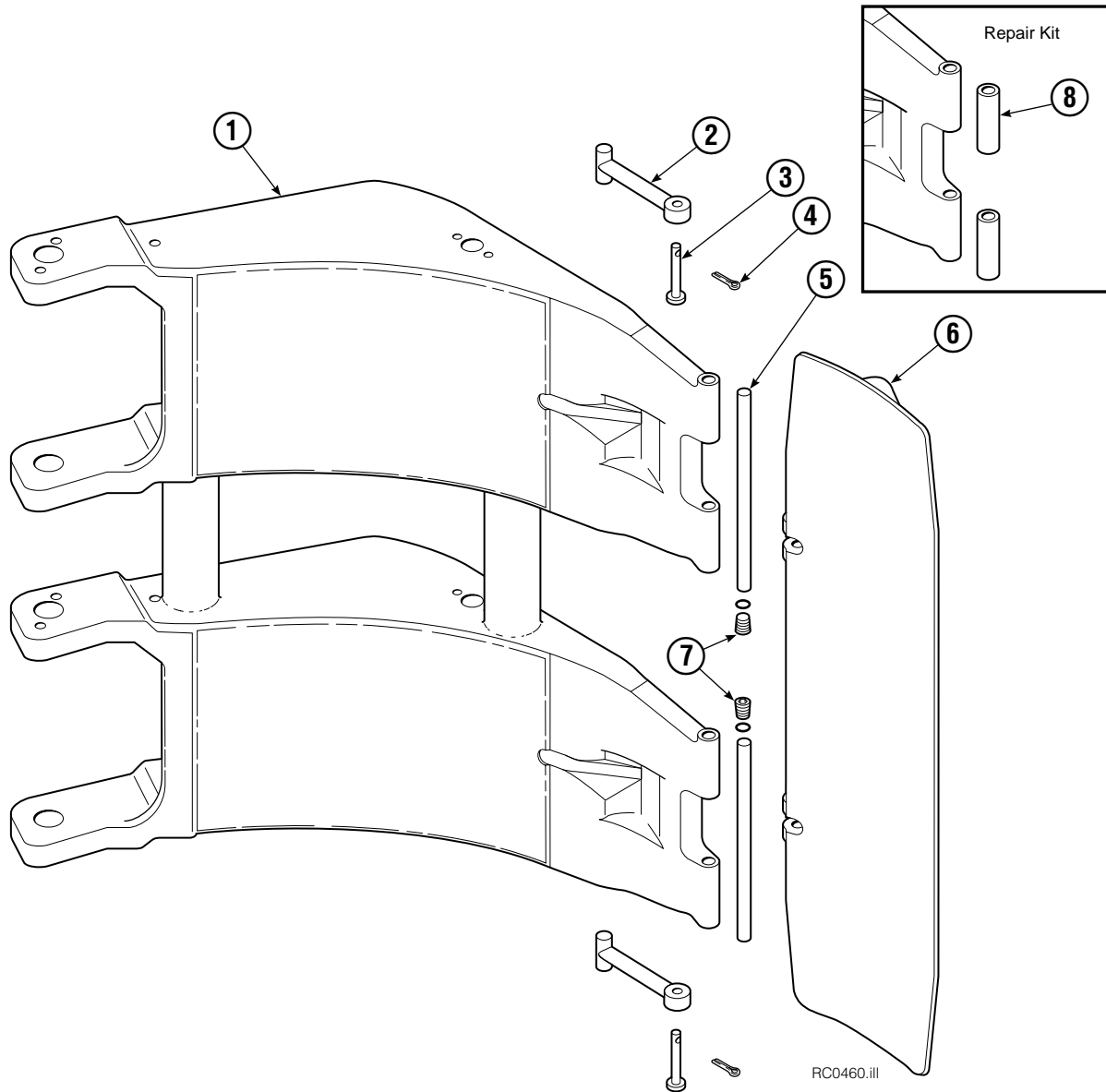


REF	QTY	PART NO.	DESCRIPTION
		336164	Cylinder Assembly
1	1	674843	Bearing
2	1	560997	Nut
3	1	660769	◆ Bearing
4	1	662462	◆ Seal
5	2	638295	◆ Back-Up Ring
6	2	604511	Fitting, 6-6
7	1	556852	Fitting, 4
8	1	557212	Check Valve
9	1	2801	◆ O-Ring
10	1	583977	◆ Back-Up Ring
11	1	554598	◆ Seal
12	1	628047	◆ Wiper
13	1	557620	Rod
14	1	555724	Retainer
15	1	557389	Piston
16	1	2722	◆ O-Ring
17	1	557687	Shell
18	1	667516	Check Valve Service Kit
19	1	—	Spacer
20	1	—	Spacer
21	2	675006	Bearing
22	1	669243	Seal Loader
		555725	Service Kit

◆ Included in Service Kit 555725.

Reference: S-5320, S-5321.

Contact Pad Group & Long Arm

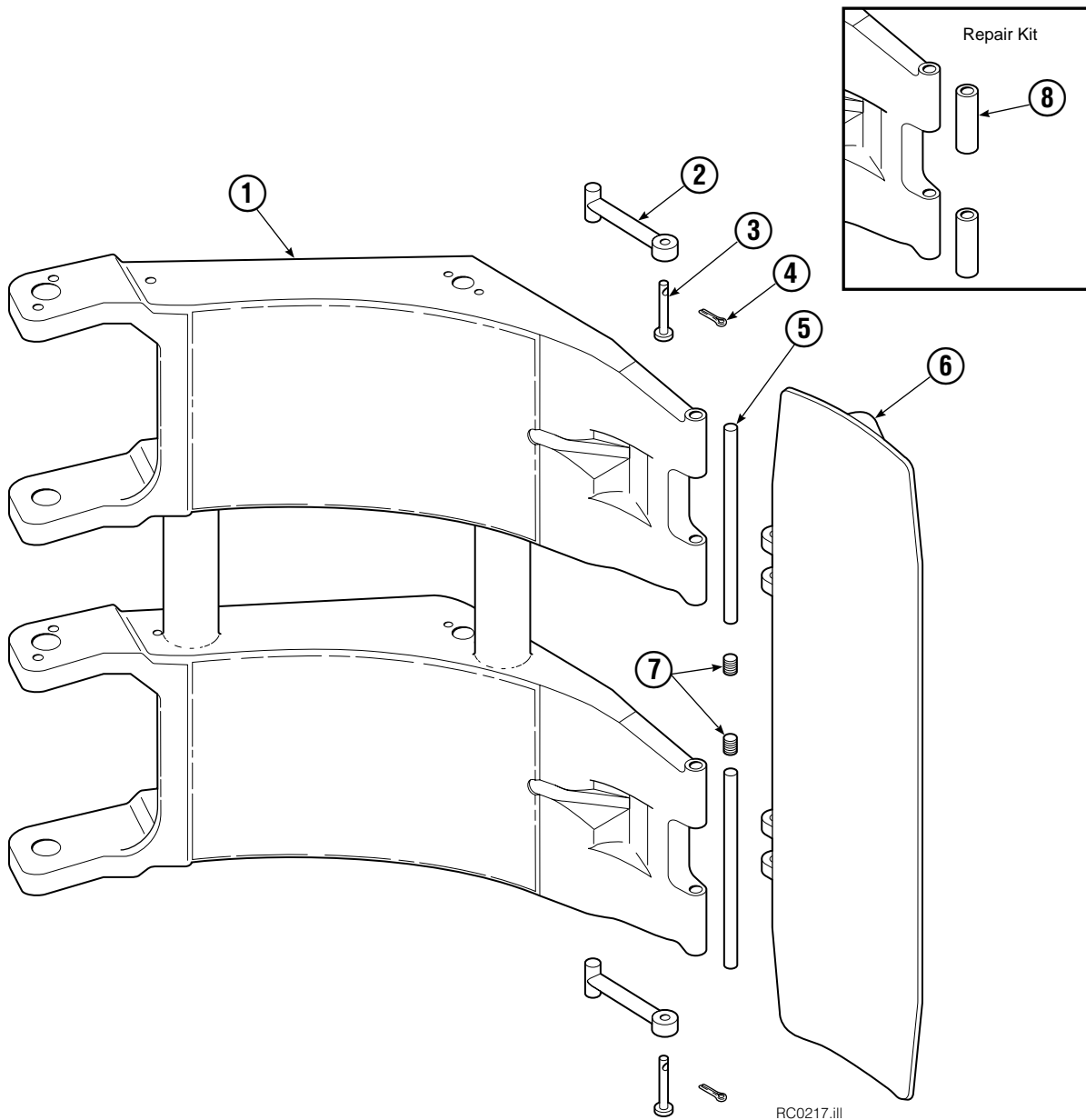


REF	QTY	PART NO.	DESCRIPTION
		206598	Contact Pad Group ●
1	1	372555	Long Arm ▲
2	2	674994	Link
3	2	682978	Clevis Pin
4	2	6525	Cotter Pin
5	2	674701	Pin
6	1	206601	Contact Pad
7	2	689900	Plug
8	1	676810	Arm Tip Repair Kit

● Includes items 2–7.

▲ Not included in Contact Pad Group.

Short Arm



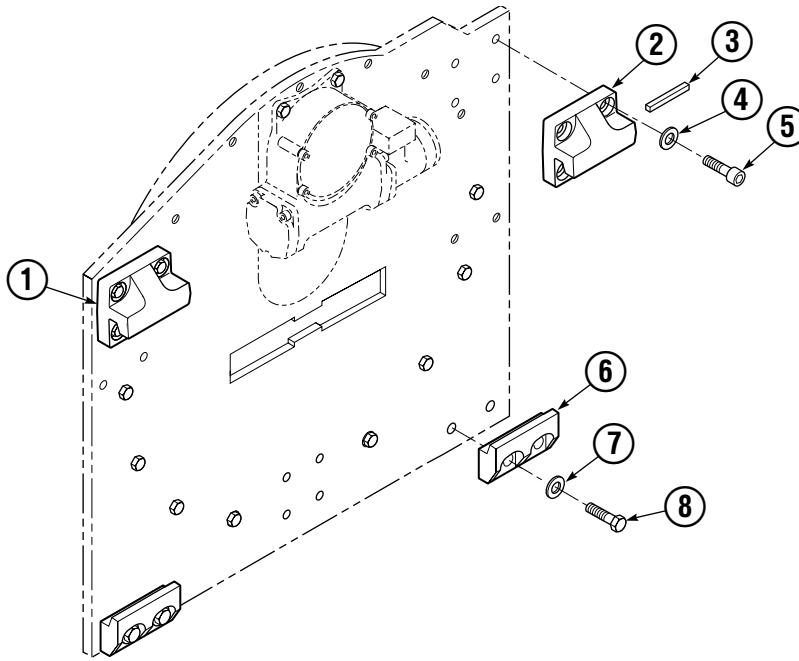
RC0217.ill

100F			
REF	QTY	PART NO.	DESCRIPTION
		674948	Contact Pad Group ■
1	1	369474	Short Arm ▲
2	2	674994	Link
3	2	682978	Clevis Pin
4	2	6525	Cotter Pin
5	2	674993	Pin
6	1	674962	Contact Pad
7	2	689900	Plug
8	1	676810	Arm Tip Repair Kit

■ Includes items 2 thru 7.

▲ Not included in Contact Pad Group.

Bolt-On Mounting Group



RC0155.iii

Class IV, 4°			
REF	QTY	PART NO.	DESCRIPTION
		682383	Mounting Group
1	1	670690	Upper Hook – LH
2	1	670691	Upper Hook – RH
3	1	670704	Stop Kit
4	8	6448	Lockwasher, 3/4 in. ID
5	8	607104	Capscrew, 3/4 NC x 1.75
6	2	679832	Lower Hook
7	4	670692	Washer, 3/4 in. ID
8	4	670693	Capscrew, 3/4 NC x 1.75

Do you have questions you need answered right now? Call your nearest Cascade Parts Department. Visit us online at www.cascorp.com

Cascade Corporation
2501 Sheridan Avenue
Springfield, OH 45505
Tel: 888-CASCADE (227-2233)
FAX: 888-329-0234

Cascade Canada Inc.
5570 Timberlea Blvd.
Mississauga, Ontario
Canada L4W-4M6
Tel: 905-629-7777
FAX: 905-629-7785

Cascade GmbH
D-41199 Monchengladbach
Klosterhofweg 52
Germany
Tel: 49-216-668230
FAX: 49-216-6682323

Cascade Finland
Albert Petreliuksenkatu 3
01370 Vantaa
Finland
Tel: 358-9-836-1925
FAX: 358-9-836-1935

**Cascade N.V.
European Headquarters**
P.O. Box 3009
1300 El Almere
Damsluisweg 56
1332 ED Almere
The Netherlands
Tel: 31-36-5492911
FAX: 31-36-5492964

**Cascade N.V.
Benelux Sales and Service**
P.O. Box 3009
1300 El Almere
Damsluisweg 56
1332 ED Almere
The Netherlands
Tel: 31-36-5492950
FAX: 31-36-5492974

Cascade (UK) Ltd.
15, Orgreave Crescent
Dore House Industrial Estate
Handsworth
Sheffield S13 9NQ
England
Tel: 742-697524
FAX: 742-695121

Cascade Scandinavia AB
Box 124
Hammarvägen 10
567 23 Vaggeryd
Sweden
Tel: 42-0-393-36950
FAX: 46-0-393-36959

Cascade Norway
Østerliveien 37A
1153 Oslo
Norway
Tel: 47-22-743160
FAX: 47-22-743157

Cascade France S.A.R.L.
1D Rue De Charaintru
BP 18, 91360 Epinay-Sur-Orge
Morangis Cedex, France
Tel: 33-1- 64547500
FAX: 33-1-64547501

Cascade Hispania S.A.
Carrer 5 Sector C
Zona Franca Duanera
Poligono de la Zon Franca
08040 Barcelona, Spain
Office No. 256
Tel: 93-264-07-30
FAX: 93-264-07-31

Cascade Japan Ltd.
5-5-41,
Torikai Kami
Settsu, Osaka
Japan, 566
Tel: 81-726-53-3490
FAX: 81-726-53-3497

Cascade Korea
108B, Namdong Ind Complex
658-3 Gojan-Dong
Namdong-Gu
Inchon, 405-310 Korea
Tel: 82-32-821-2051
FAX: 82-32-821-2055

Cascade Australia
1445 Ipswich Road
Rocklea, QLD 4106
Australia
Tel: 1-800227-223
FAX: (07) 3373-7333

Cascade New Zealand
15 Ra Ora Drive
East Tamaki, Auckland
New Zealand
Tel: 9-273-9136
FAX: 9-273-9137

Cascade (Africa) Pty. Ltd.
P.O. Box 625, Isando 1600
60A Steel Road
Sparton, Kempton Park
South Africa
Tel: 27-11-975-9240
FAX: 27-11-394-1147

Cascade-Xiamen
No. 668 Yangguang Rd.
Xinyang Industrial Zone
Haicang, Xiamen City
Fujian Province
P.R. China 361026
Tel: 86-592-651-2500
FAX: 86-592-651-2571

**Cascade (Singapore)
Trading Co.**
Four Seasons Park
Autumn Block - Apt. 1802
12 Cuscaden Walk
Singapore
Tel: 65-834-1935
FAX: 65-834-1936

