



# Parts Manual

---

Model Fork Positioner

Serial Number 100F-HS-161

---

**cascade**<sup>®</sup>  
corporation

**For Technical Assistance call:** 800-227-2233, Fax: 888-329-8207

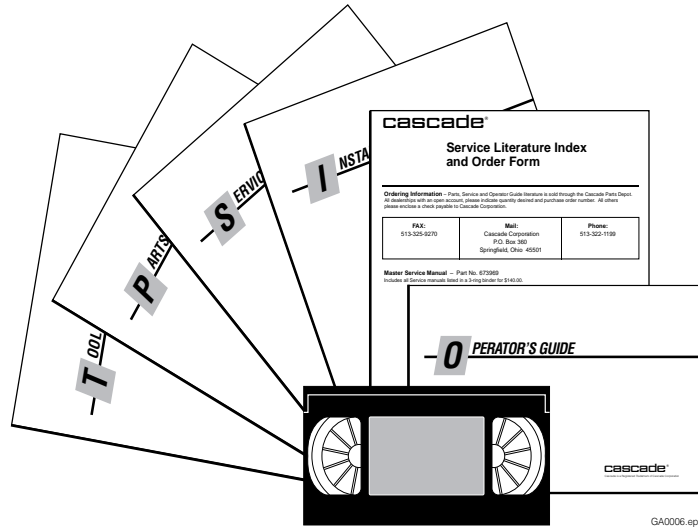
**To Order Parts call:** 888-227-2233, Fax: 888-329-0234

**OR**

**Write:** Cascade Corporation, P.O. Box 20187, Portland, OR 97220

**Internet:** [www.cascorp.com](http://www.cascorp.com)

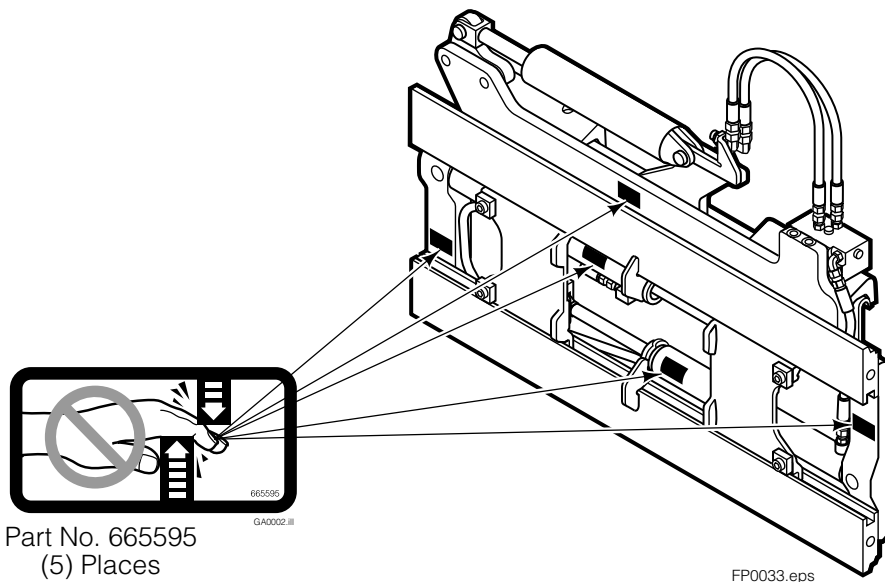
# Publications



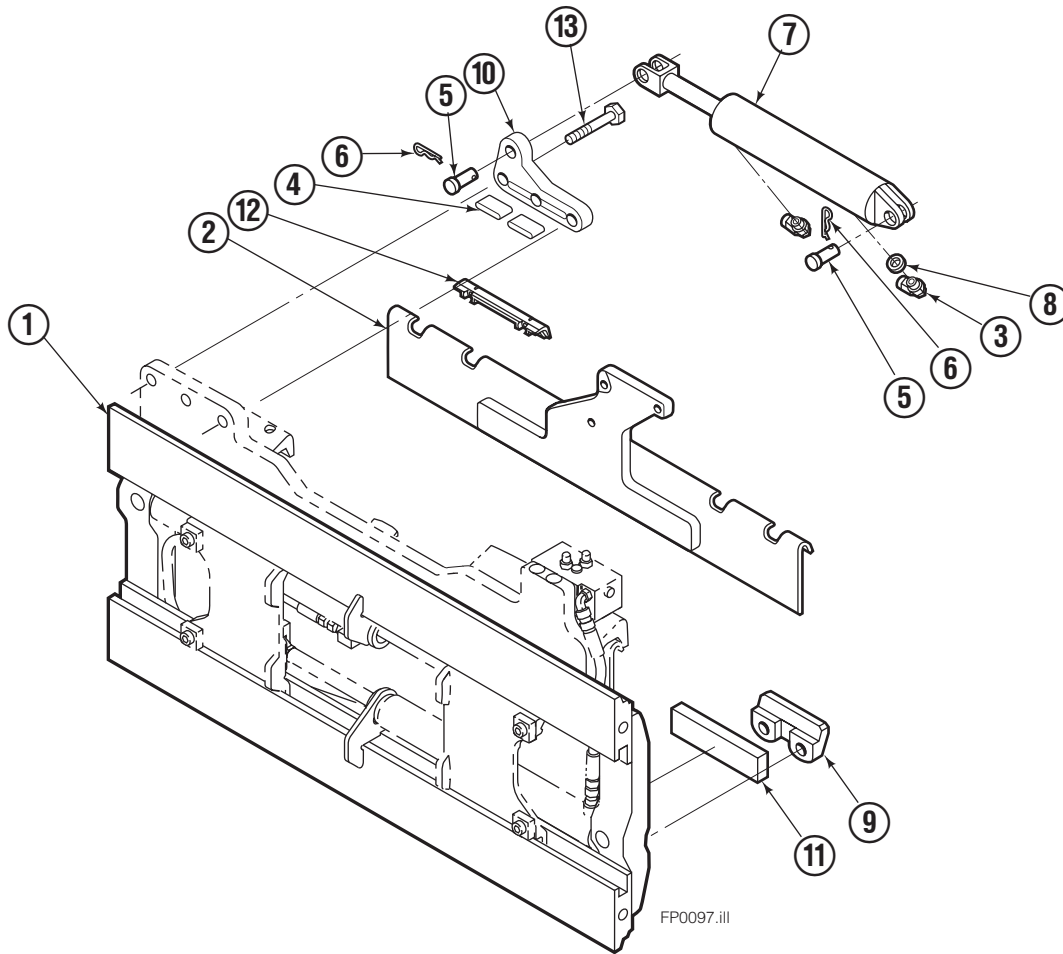
GA0006.eps

100F	
PART NO.	DESCRIPTION
	Parts Manual
208743	Service Manual
688261	Operators Guide
207363	Installation Instructions
680664	Servicing Cascade Cylinders-VHS
679929	Tool Catalog
673964	Literature Index Order Form

# Safety Decals



# Mounting Group Sideshifting

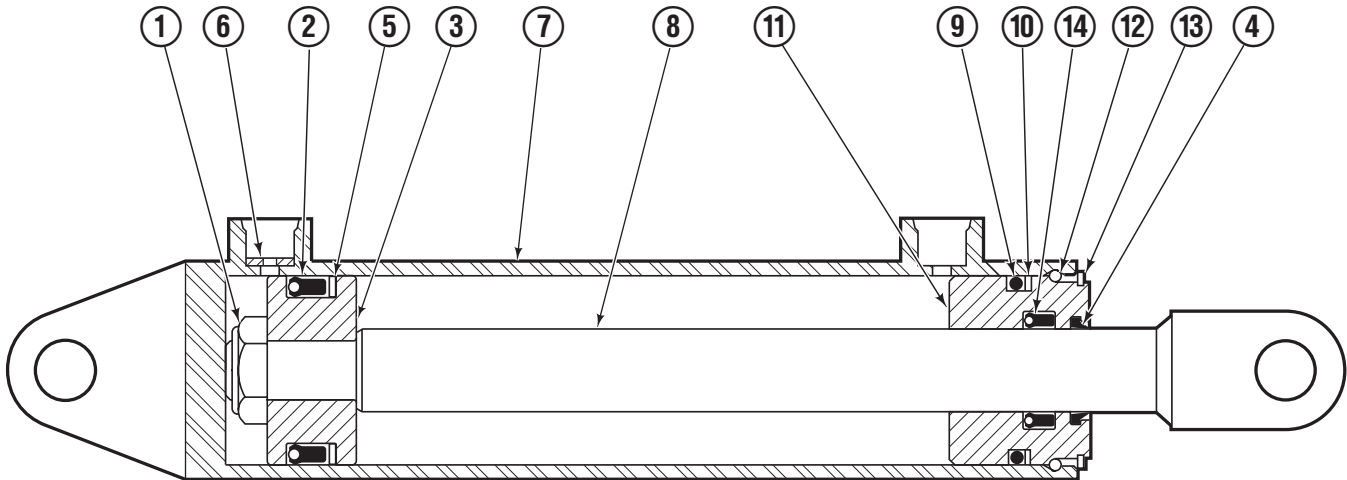


## 100F

REF	QTY	PART NO.	DESCRIPTION	REF	QTY	PART NO.	DESCRIPTION
		379167 ●	Sideshifting Mounting-49" ■	8	1	675550	Washer (orifice .085)
1	1	209385	Frame-49" ■	9	2	204186	Lower Hook
2	1	209394	Anchor Bracket-49" ■	10	1	209309	Lug
3	2	601676	Fitting, 6-6	11	2	208350	Lower Bearing
4	2	209542	Key, M10x8x63	12	2	672018	Upper Bearing
5	2	678528	Clevis Pin	13	3	752907	Capscrew, M20x50 Lg-8.8
6	2	672726	Hairpin Cotter		1	373137	Security Kit (See page 2A)
◆7	1	676649	Cylinder Assembly				

- Carriage width.
- Includes items 2 through 13.
- ◆ See Cylinder page for parts breakdown.

# Sideshift Cylinder

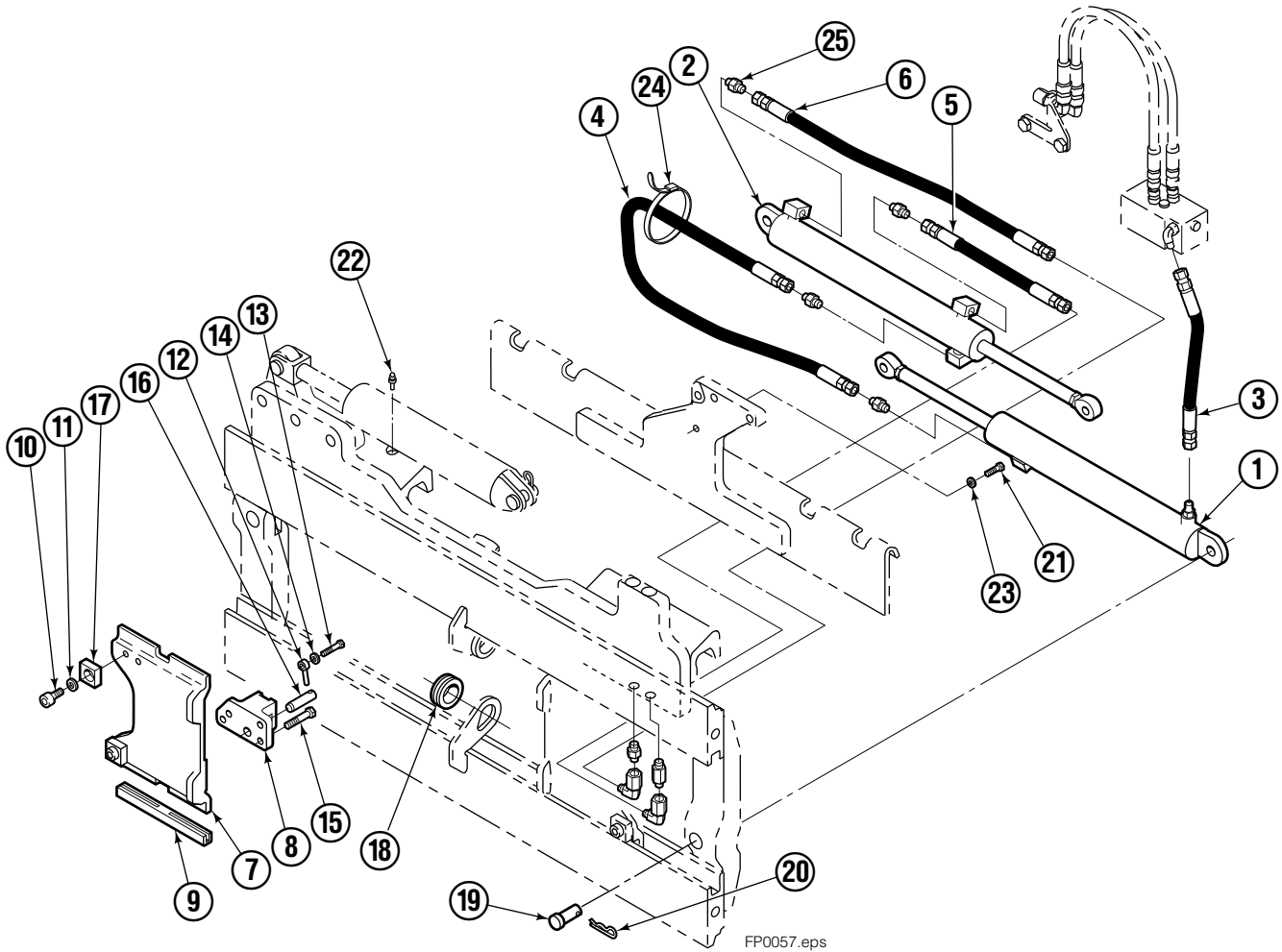


FP0029.ill

100F			
REF	QTY	PART NO.	DESCRIPTION
		676649	Cylinder Assembly
1	1	553717	Nut
■ 2	1	662456	Seal
3	1	553527	Piston
■ 4	1	636852	Wiper
■ 5	1	649817	Back-up Ring
6	1	675550	Washer (orifice .085)
7	1	676776	Shell
8	1	553530	Rod
■ 9	1	2789	O-Ring
■ 10	1	615132	Back-up Ring
11	1	553528	Retainer
12	1	553688	Retaining Ring
13	1	7211	Snap Ring
■ 14	1	662447	Seal
		553866	Service Kit

■ Included in Service Kit 553866.

# Hydraulic/Fork Group



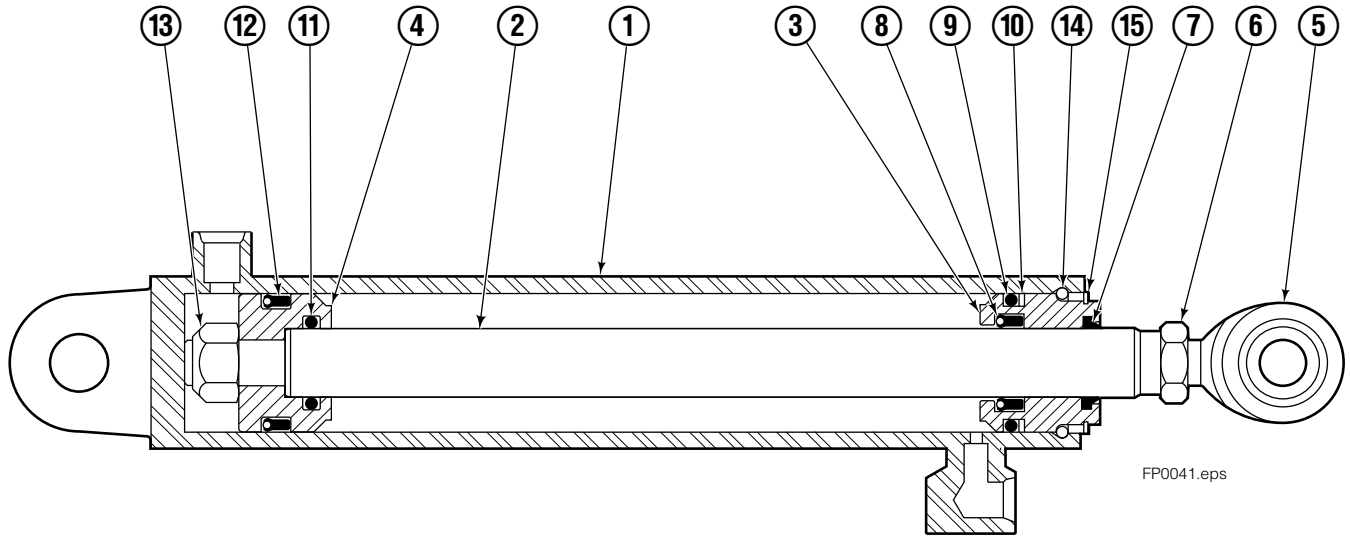
Reference:  
BC-106  
SK-6042

100F							
REF	QTY	PART NO.	DESCRIPTION	REF	QTY	PART NO.	DESCRIPTION
		●209465	Hydraulic Group ■	13	2	763169	Capscrew
		□209502	Fork Group	14	2	680217	Lockwasher
◆1	1	209487	Cylinder Assembly L. H. ■	15	8	681370	Capscrew
▼2	1	209494	Cylinder Assembly R. H. ■	16	2	209308	Pin
3	1	209515	Hose ■	17	4	209306	Block
4	1	209522	Hose ■	18	2	209305	Grommet
5	1	209528	Hose	19	2	661675	Clevis Pin
6	1	209530	Hose ■	20	2	672726	Hairpin Cotter
7	2	209391	Fork Carrier	21	1	763022	Capscrew
8	2	209280	Lug	22	2	7403	Grease Fitting
9	4	209303	Bearing	23	1	681238	Lockwasher
10	4	768838	Capscrew	24	1	200008	Cable Tie
11	4	678992	Lockwasher	25	5	604511	Fitting, 6-6
12	2	206923	Eyebolt				

■ Carriage width.  
◆ See L.H. Cylinder page for parts breakdown.  
▼ See R.H. Cylinder page for parts breakdown.

● Includes items 1 through 6.  
□ Includes items 7 through 25.

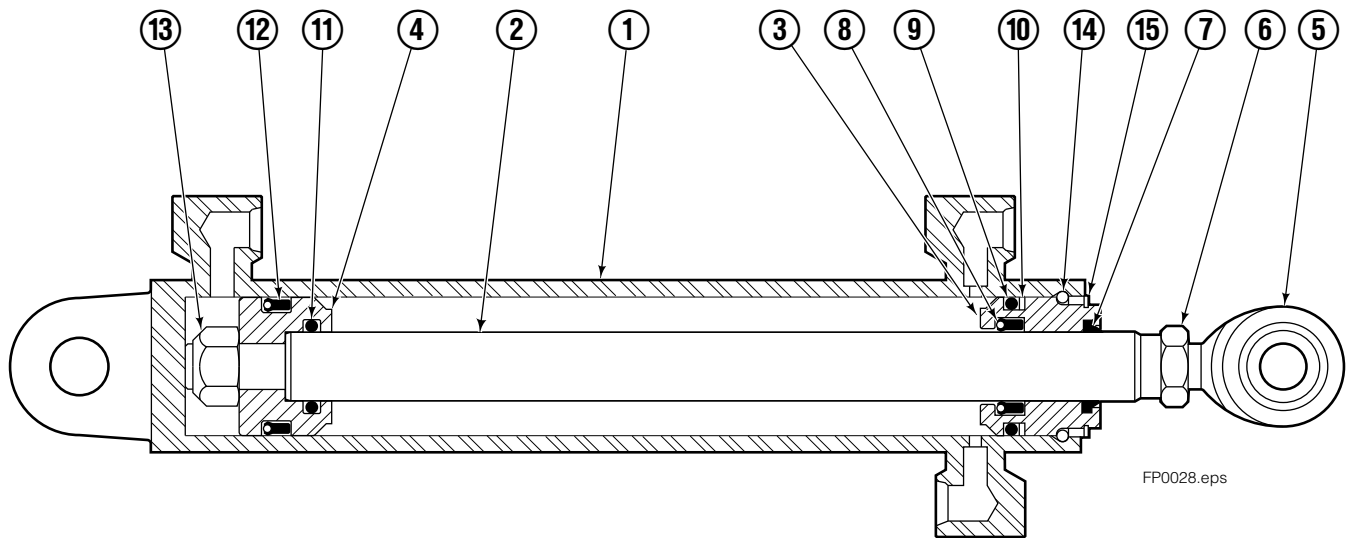
# Left Hand Cylinder



100F			
REF	QTY	PART NO.	DESCRIPTION
		209487	Cylinder Assembly - 49" ■
1	1	564487	Shell - 49" ■
2	1	564494	Rod - 49" ■
3	1	564451	Retainer
4	1	562056	Piston
5	1	564452	Rod End
6	1	5721	Nut
● 7	1	564408	Rod Wiper
● 8	1	564406	Rod Seal
● 9	1	562127	O-Ring
● 10	1	563388	Back-up Ring
● 11	1	563278	O-Ring
● 12	1	564141	Piston Seal
13	1	678019	Piston Nut
14	1	562942	Retaining Ring
15	1	562951	Snap Ring
16	1	---	Spacer
		564453	Service Kit

- Carriage width.
- Included in Service Kit 564453.

# Right Hand Cylinder

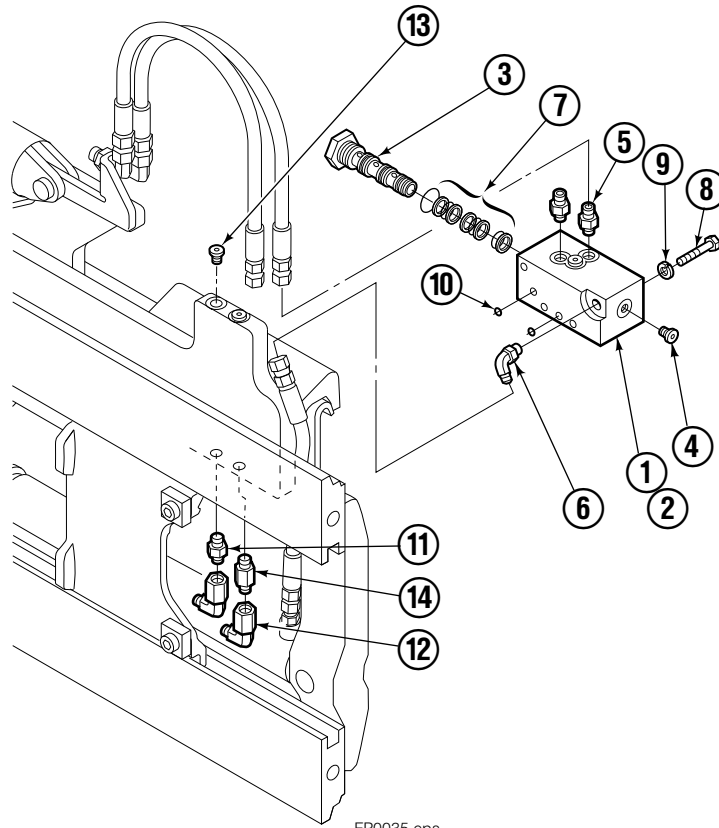


FP0028.eps

100F			
REF	QTY	PART NO.	DESCRIPTION
		209494	Cylinder Assembly-49" ■
1	1	564501	Shell-49" ■
2	1	564494	Rod-49" ■
3	1	564451	Retainer
4	1	562056	Piston
5	1	564452	Rod End
6	1	5721	Nut
● 7	1	564408	Rod Wiper
● 8	1	564406	Rod Seal
● 9	1	562127	O-Ring
● 10	1	563388	Back-up Ring
● 11	1	563278	O-Ring
● 12	1	564141	Piston Seal
13	1	678019	Piston Nut
14	1	562942	Retaining Ring
15	1	562951	Snap Ring
16	1	---	Spacer
		564453	Service Kit

- Carriage width.
- Included in Service Kit 564453.

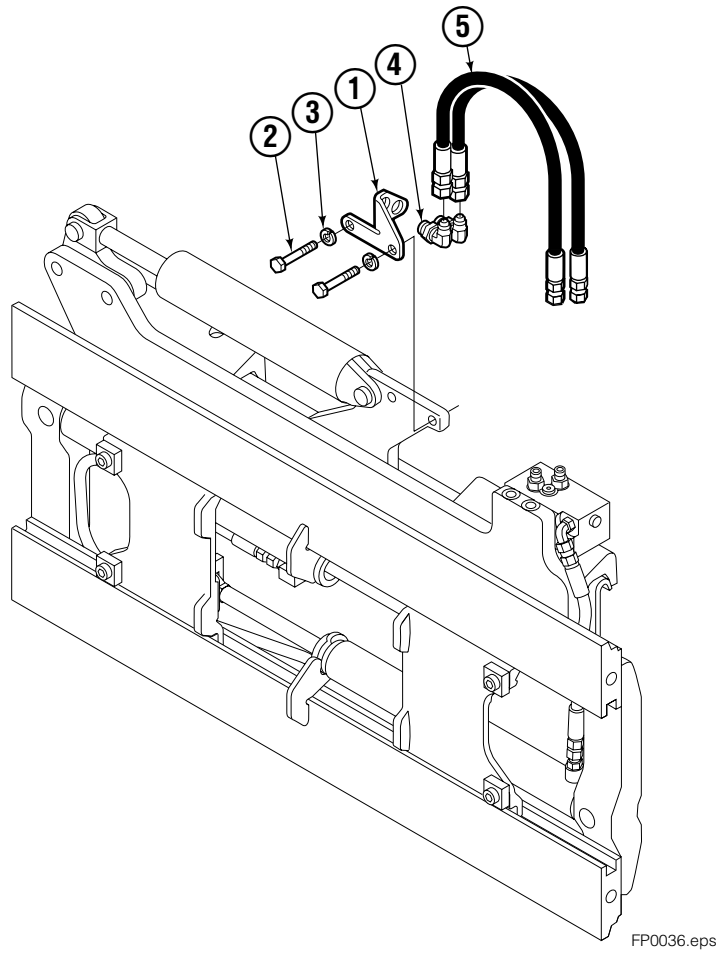
# Flow Divider Group



100F			
REF	QTY	PART NO.	DESCRIPTION
		209504	Flow Divider Group
1	1	■ 209310	Valve
2	1	209311	Valve Body
3	1	201527	Cartridge-Combiner
4	2	663694	Fitting, 3
5	2	604511	Fitting, 6-6
6	1	601676	Fitting, 6-6
7	1	679992	Service Kit
8	3	685105	Capscrew
9	3	678993	Lockwasher
10	2	207300	O-Ring
11	1	604511	Fitting, 6-6
12	2	2680	Fitting, 6-6
13	2	604510	Fitting, 6
14	1	605743	Fitting, 6-6

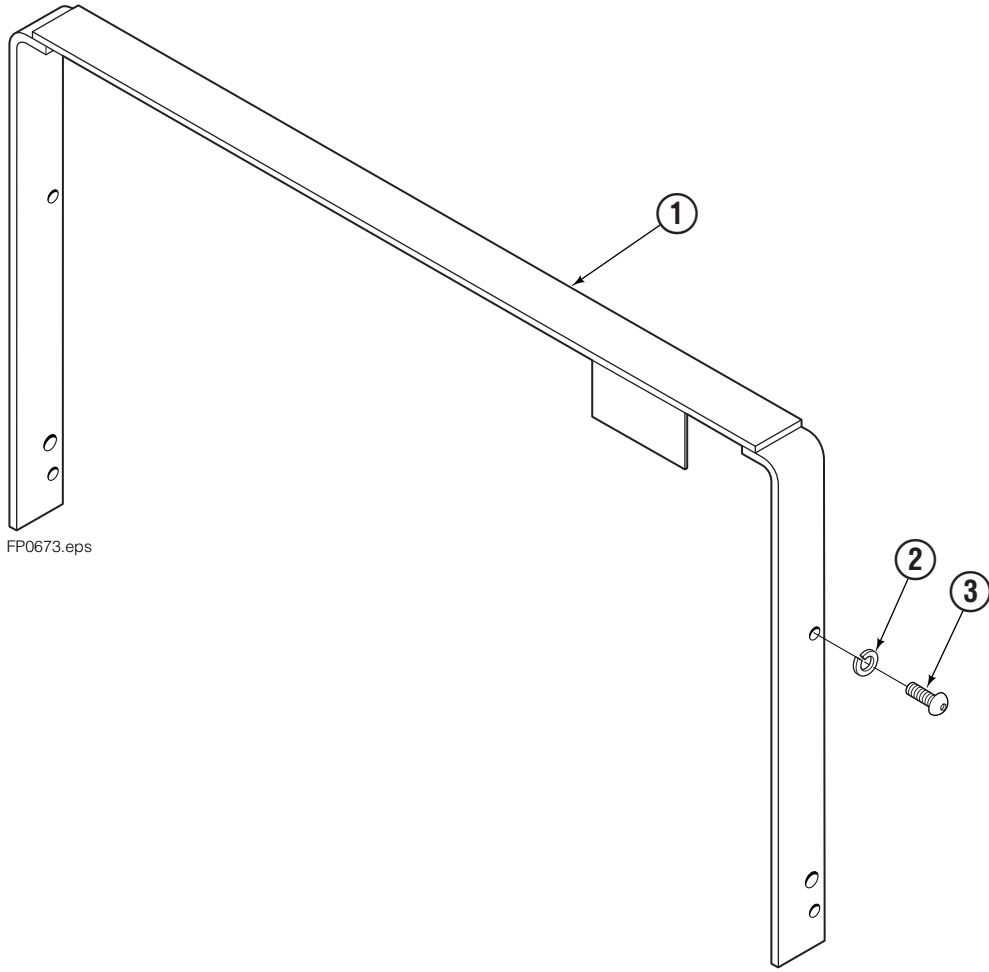
■ Includes items 1 through 7.

# Standard Installation Group



<b>100F</b>			
<b>REF</b>	<b>QTY</b>	<b>PART NO.</b>	<b>DESCRIPTION</b>
		209506	Installation Group
1	1	207314	Bracket
2	2	762899	Capscrew, M10X20-8.8
3	2	681238	Lockwasher
4	2	2453	Fitting, 8-8
5	2	207425	Hose

# Backrest with Valve Guard



FP0673.eps

<b>100F</b>			
REF	QTY	PART NO.	DESCRIPTION
1	1	388354	Backrest – 49 x 36 ■
2	4	684586	Lockwasher, M16
3	4	200173	Capscrew, M16 x 35

■ Width x Height.  
Reference: Common Parts 684740, S-8361, S-8526.



**Do you have questions you need answered right now?** Call your nearest Cascade Parts Department. Visit us online at [www.cascorp.com](http://www.cascorp.com)

## **AMERICAS**

### **Cascade Corporation Parts Sales**

2501 Sheridan Ave.  
Springfield, OH 45505  
Tel: 888-CASCADE (227-2233)  
Fax: 888-329-0234

### **Cascade Canada Inc.**

5570 Timberlea Blvd.  
Mississauga, Ontario  
Canada L4W-4M6  
Tel: 905-629-7777  
Fax: 905-629-7785

### **Cascade do Brasil**

Rua João Guerra, 134  
Macuco, Santos - SP  
Brasil 11015-130  
Tel: 55-13-2105-8800  
Fax: 55-13-2105-8899

## **EUROPE-AFRICA**

### **Cascade Italia S.R.L. European Headquarters**

Via Dell'Artigianato 1  
37050 Vago di Lavagno (VR)  
Italy  
Tel: 39-045-8989111  
Fax: 39-045-8989160

### **Cascade (Africa) Pty. Ltd.**

PO Box 625, Isando 1600  
60A Steel Road  
Sparton, Kempton Park  
South Africa  
Tel: 27-11-975-9240  
Fax: 27-11-394-1147

## **ASIA-PACIFIC**

### **Cascade Japan Ltd.**

2-23, 2-Chome,  
Kukuchi Nishimachi  
Amagasaki, Hyogo  
Japan, 661-0978  
Tel: 81-6-6420-9771  
Fax: 81-6-6420-9777

### **Cascade Korea**

121B 9L Namdong Ind.  
Complex, 691-8 Gojan-Dong  
Namdong-Ku  
Inchon, Korea  
Tel: +82-32-821-2051  
Fax: +82-32-821-2055

### **Cascade-Xiamen**

No. 668 Yangguang Rd.  
Xinyang Industrial Zone  
Haicang, Xiamen City  
Fujian Province  
P.R. China 361026  
Tel: 86-592-651-2500  
Fax: 86-592-651-2571

### **Cascade India Material Handling Private Limited**

No 34, Global Trade Centre  
1/1 Rambaugh Colony  
Lal Bahadur Shastri Road,  
Navi Peth, Pune 411 030  
(Maharashtra) India  
Phone: +91 020 2432 5490  
Fax: +91 020 2433 0881

### **Cascade Australia Pty. Ltd.**

1445 Ipswich Road  
Rocklea, QLD 4107  
Australia  
Tel: 1-800-227-223  
Fax: +61 7 3373-7333

### **Cascade New Zealand**

15 Ra Ora Drive  
East Tamaki, Auckland  
New Zealand  
Tel: +64-9-273-9136  
Fax: +64-9-273-9137

### **Sunstream Industries Pte. Ltd.**

18 Tuas South Street 5  
Singapore 637796  
Tel: +65-6795-7555  
Fax: +65-6863-1368

