



Parts Manual

Model Rotator (125D-RR-10C)

Serial Number 670824

cascade[®]
corporation

For Technical Assistance call: 800-227-2233, Fax: 888-329-8207

To Order Parts call: 888-227-2233, Fax: 888-329-0234

OR

Write: Cascade Corporation, P.O. Box 20187, Portland, OR 97220

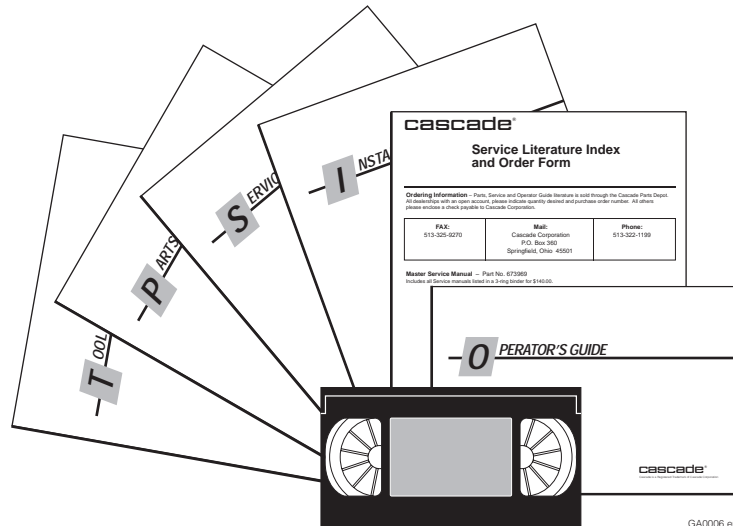
Internet: www.cascorp.com

Safety Decals



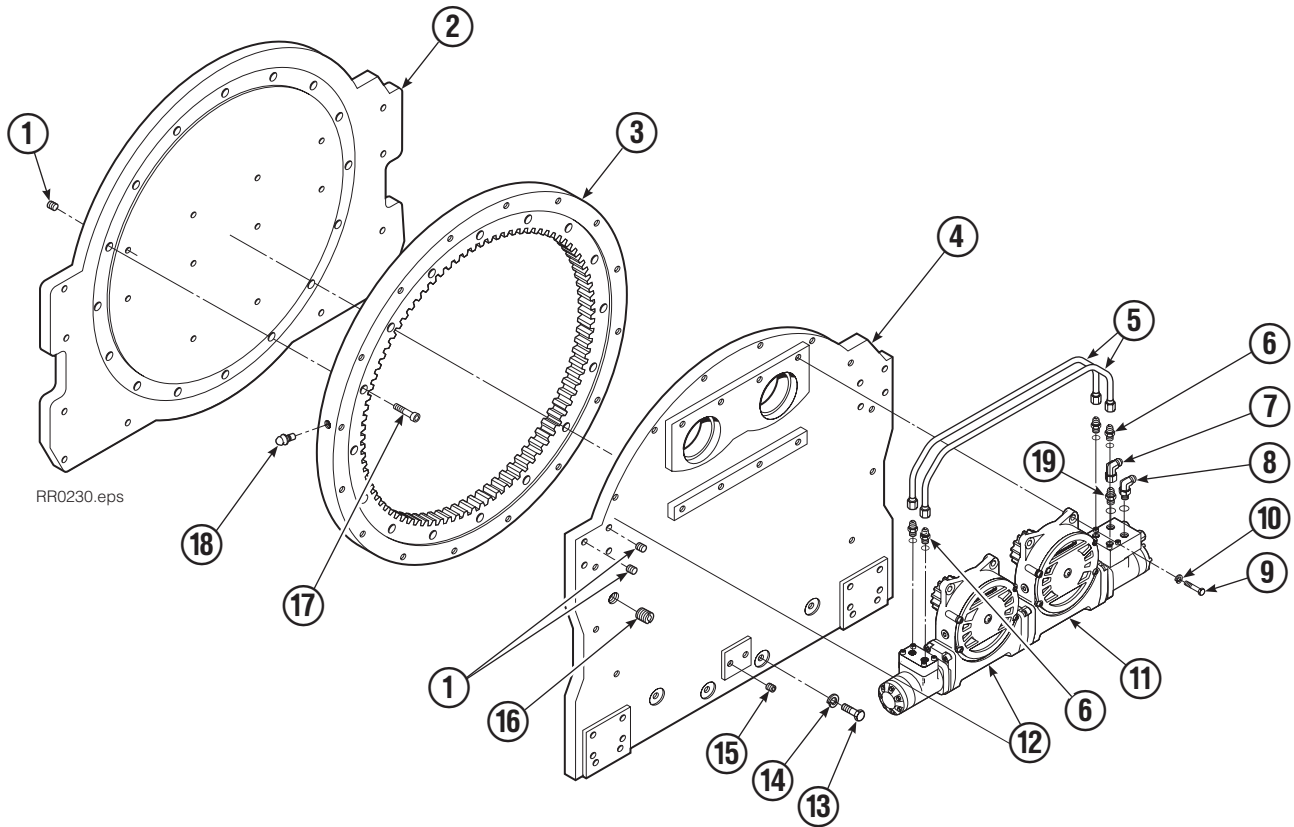
REF	QTY	PART NO.	DESCRIPTION
1	1	679150	No Step Decal

Publications



PART NO.	DESCRIPTION
672946	Service Manual
672714	Operators Guide
672327	Installation Instructions
679929	Tool Catalog
673964	Literature Index Order Form

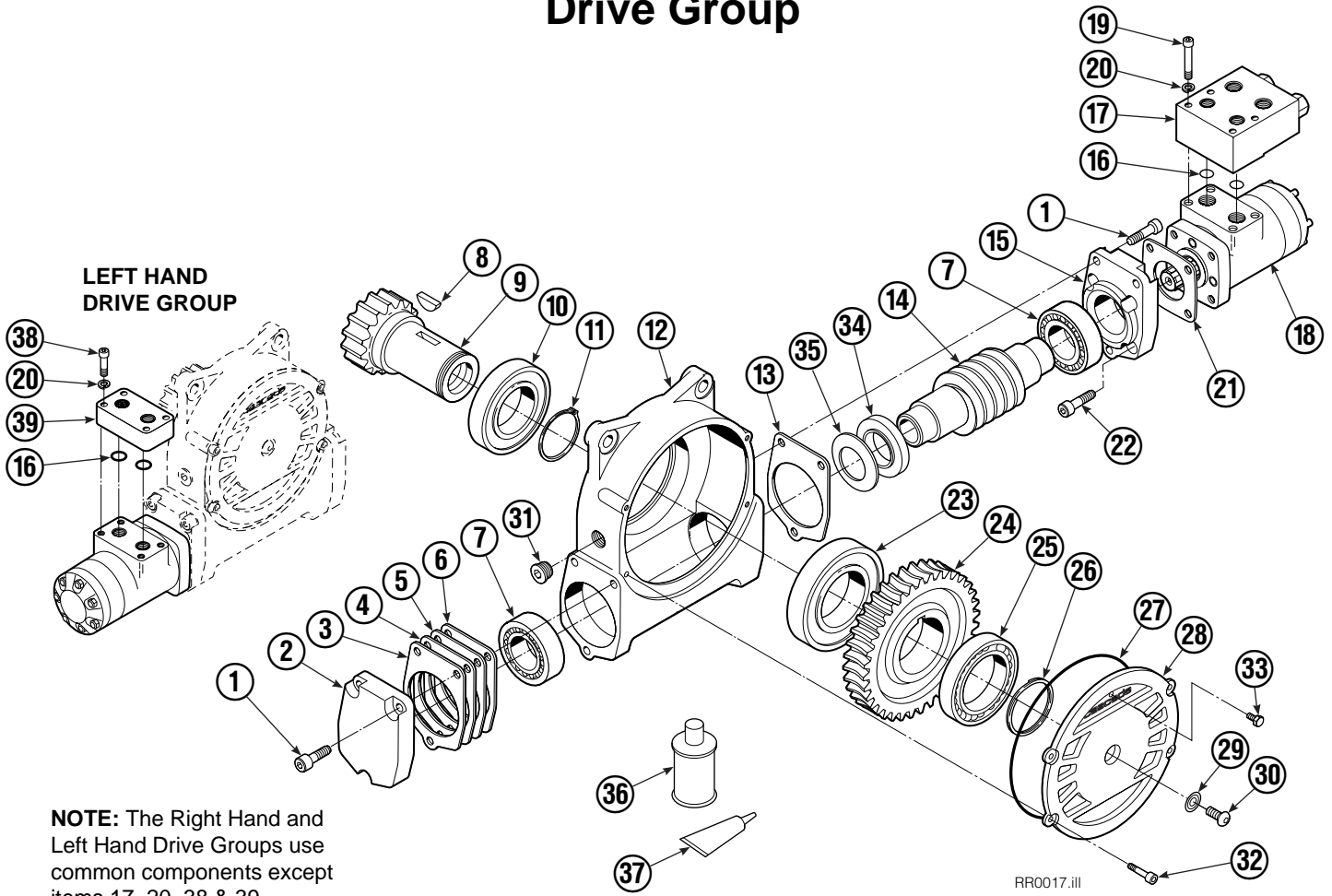
Base Unit Group



150D			
REF	QTY	PART NO.	DESCRIPTION
		670772	Base Unit Group
1	18	631428	Plug
2	1	670773	Faceplate
3	1	670782	Bearing Assembly
4	1	670774	Baseplate
5	2	670786	Tube Assembly
6	4	662187	Fitting, 8-6
7	1	605761	Fitting, 8-8
8	1	601250	Fitting, 8-8
9	8	661742	Capscrew, 1/2 x 1.25
10	8	6290	Lockwasher
11	1	670558	Drive Group – RH ♦
12	1	670562	Drive Group – LH ♦
13	16	643574	Capscrew, 3/4 x 2.25
14	16	6294	Lockwasher
15	2	631427	Plug
16	1	6605	Plug
17	16	607105	Capscrew, 3/4 x 2.00
18	1	7401	Grease Fitting
19	1	601377	Fitting, 8-8
		672483	Bearing Service Kit

♦ See Drive Group page for parts breakdown.
Reference: Common Parts Group 670781, SK-5382.

Drive Group

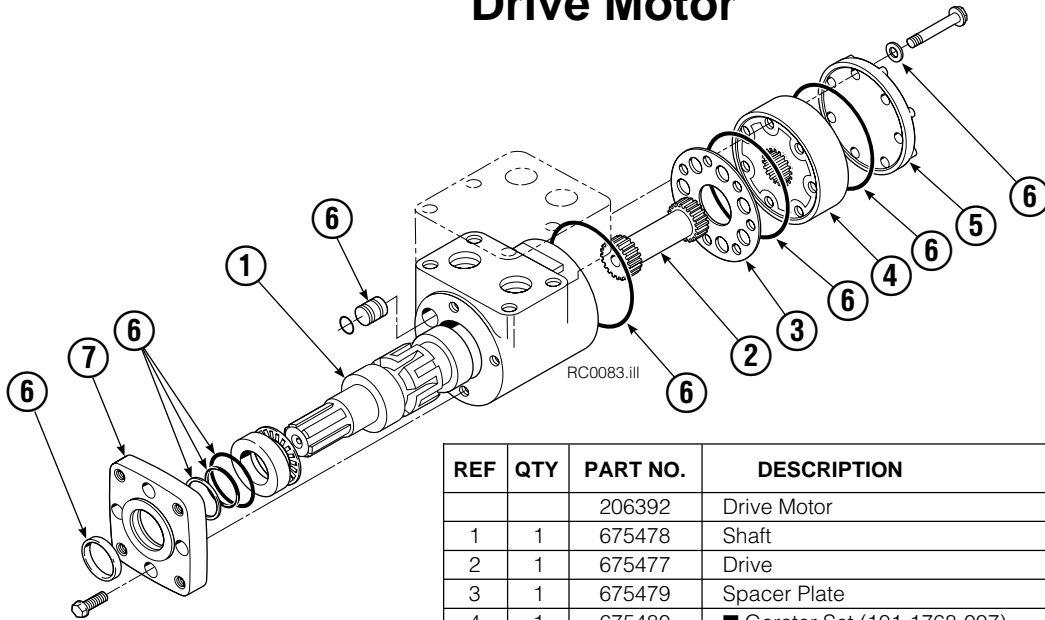


NOTE: The Right Hand and Left Hand Drive Groups use common components except items 17–20, 38 & 39.

REF	QTY	PART NO.	DESCRIPTION	REF	QTY	PART NO.	DESCRIPTION
		670558	Drive Group – R.H.	21	1	670575	Gasket
		670562	Drive Group – L.H.	22	4	4468	Capscrew, 3/8 NC x .75 GR8
	■	673896	Drive Box Service Kit – R.H.	23	1	670580	Bearing
	■	673867	Drive Box Service Kit – L.H.	24	1	676448	Worm Gear
1	6	607071	Capscrew, 7/16 NC x 1.0 GR8	25	1	670581	Bearing
2	1	676855	Cover	26	1	7214	Snap Ring
3	●	674513	Shim – .005" (blue)	27	1	643423	O-Ring
4	●	670574	Shim – .010" (brown)	28	1	670567	Cover
5	●	671757	Shim – .015" (pink)	29	1	603680	Seal
6	●	671758	Shim – .020" (yellow)	30	1	4874	Capscrew, 3/8 NC x .50 GR8
7	2	670579	Bearing	31	1	6609	Plug
8	1	670582	Key	32	4	671535	Capscrew, 5/16 NC x .75
9	1	670559	Pinion	33	1	644010	Relief Fitting
10	1	670560	Bearing	34	1	672448	Washer
11	1	3160	Snap Ring	35	1	672449	Washer Spring
12	1	670565	Housing	36	1	656300	Gear Box Lube - 48 oz.
13	1	686465	Gasket	37	1	668184	Sealant
14	1	676447	Worm	38	4	607054	Capscrew, 5/16 NC x .75 GR8
15	1	670570	Adapter	39	1	670563	Manifold – L.H. Drive only
16	2	2705	Seal			670578	Shim Service Kit (items 4,5,6 & 37)
17	1	670561	Check Valve – R.H. only ♦			671583	Bearing Service Kit (items 23 & 37)
18	1	206392	Drive Motor ♦			671584	Bearing Service Kit (items 4–7)
19	4	607060	Capscrew, 5/16 NC x 2.00 GR8			676449	Service Kit, (items 4–6,14,24, & 37)
20	4	6444	Lockwasher			206394	Drive Motor Kit (items 4,16,18,21 & 37)

- Includes all items except 17–20, 38 & 39.
- Quantity as required.
- ♦ See Drive Motor page for parts breakdown.

Drive Motor

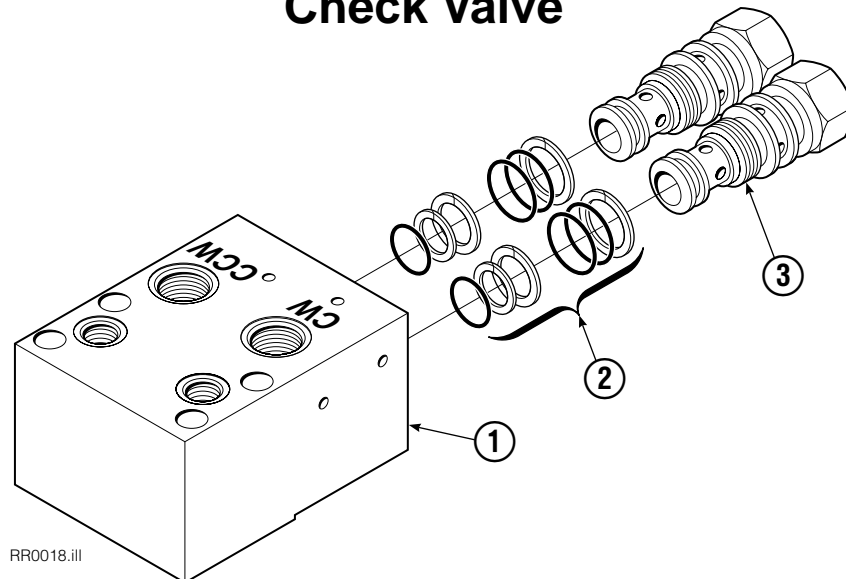


REF	QTY	PART NO.	DESCRIPTION
		206392	Drive Motor
1	1	675478	Shaft
2	1	675477	Drive
3	1	675479	Spacer Plate
4	1	675480	■ Gerotor Set (101-1768-007)
4	1	685075	■ Gerotor Set (101-1768-009)
5	1	675482	End Cap
6	1	206405	● Service Kit
7	1	685089	■ Flange (101-1768-007)
7	1	685090	■ Flange (101-1768-009)

Cascade provides service replacement parts for the listed parts only. Due to cost, if others parts need replacement, the complete drive motor should be replaced.

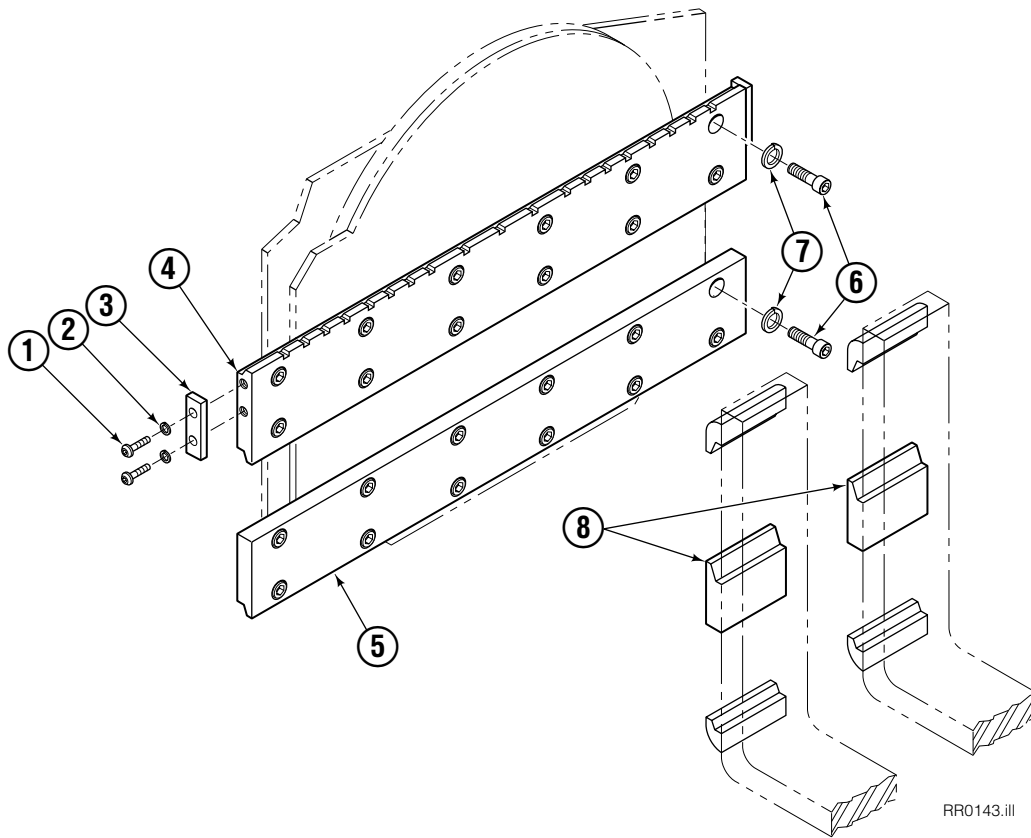
- See Nameplate under valve for correct part number of Gerotor Set and Flange.
- Compatible with water glycol based hydraulic fluids.

Check Valve



REF	QTY	PART NO.	DESCRIPTION
		670561	Check Valve Assembly
1	1	670583	Body
2	2	656223	Seal Kit
3	2	665097	Check Valve

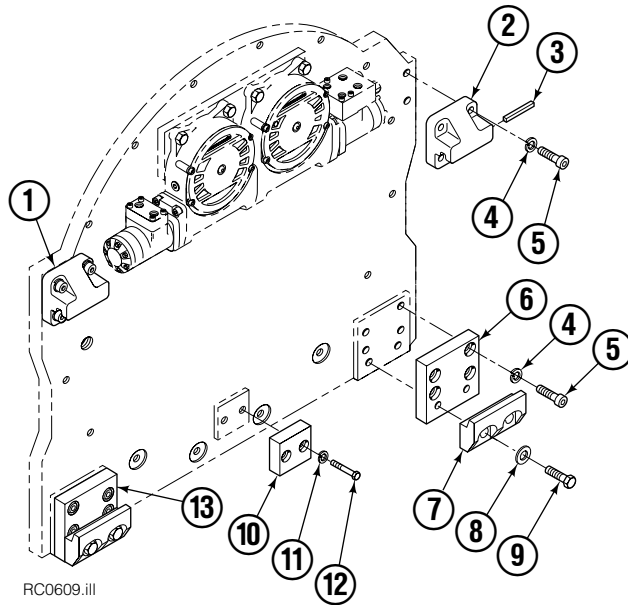
Fork Bar Group



RR0143.iii

REF	QTY	PART NO.	DESCRIPTION
		622149	Fork Bar Group
1	4	4880	Capscrew, .5 x 1.0
2	4	6290	Lockwasher, .5
3	2	622148	Keeper
4	1	622611	Upper Bar
5	1	622614	Lower Bar
6	24	607106	Capscrew
7	24	6448	Lockwasher
8	2	633671	Hook

Bolt-On Mounting Group



Class IV, 0°			
REF	QTY	PART NO.	DESCRIPTION
		670788	Mounting Group
1	1	670690	Upper Hook – LH
2	1	670691	Upper Hook – RH
3	1	670704	Stop Kit
4	14	6448	Lockwasher, 3/4 in. ID
5	14	607104	Capscrew, 3/4 NC x 1.75
6	1	672700	Adapter Plate – RH
7	2	670694	Lower Hook
8	4	670692	Washer, 3/4 in. ID
9	4	670693	Capscrew, 3/4 NC x 1.75
10	1	670695	Bumper
11	2	6290	Lockwasher, 1/2 in
12	2	3657	Capscrew, 1/2 x 2.00 in.
13	1	672699	Adapter Plate – LH

Do you have questions you need answered right now? Call your nearest Cascade Parts Department. Visit us online at www.cascorp.com

AMERICAS

**Cascade Corporation
Parts Sales**
2501 Sheridan Ave.
Springfield, OH 45505
Tel: 888-CASCADE (227-2233)
Fax: 888-329-0234

Cascade Canada Inc.
5570 Timberlea Blvd.
Mississauga, Ontario
Canada L4W-4M6
Tel: 905-629-7777
Fax: 905-629-7785

Cascade do Brasil
Rua João Guerra, 134
Macuco, Santos - SP
Brasil 11015-130
Tel: 55-13-2105-8800
Fax: 55-13-2105-8899

EUROPE-AFRICA

**Cascade Italia S.R.L.
European Headquarters**
Via Dell'Artigianato 1
37050 Vago di Lavagno (VR)
Italy
Tel: 39-045-8989111
Fax: 39-045-8989160

Cascade (Africa) Pty. Ltd.
PO Box 625, Isando 1600
60A Steel Road
Sparton, Kempton Park
South Africa
Tel: 27-11-975-9240
Fax: 27-11-394-1147

ASIA-PACIFIC

Cascade Japan Ltd.
2-23, 2-Chome,
Kukuchi Nishimachi
Amagasaki, Hyogo
Japan, 661-0978
Tel: 81-6-6420-9771
Fax: 81-6-6420-9777

Cascade Korea
121B 9L Namdong Ind.
Complex, 691-8 Gojan-Dong
Namdong-Ku
Inchon, Korea
Tel: +82-32-821-2051
Fax: +82-32-821-2055

Cascade-Xiamen
No. 668 Yangguang Rd.
Xinyang Industrial Zone
Haicang, Xiamen City
Fujian Province
P.R. China 361026
Tel: 86-592-651-2500
Fax: 86-592-651-2571

**Cascade India Material
Handling Private Limited**
No 34, Global Trade Centre
1/1 Rambaugh Colony
Lal Bahadur Shastri Road,
Navi Peth, Pune 411 030
(Maharashtra) India
Phone: +91 020 2432 5490
Fax: +91 020 2433 0881

Cascade Australia Pty. Ltd.
1445 Ipswich Road
Rocklea, QLD 4107
Australia
Tel: 1-800-227-223
Fax: +61 7 3373-7333

Cascade New Zealand
15 Ra Ora Drive
East Tamaki, Auckland
New Zealand
Tel: +64-9-273-9136
Fax: +64-9-273-9137

**Sunstream Industries
Pte. Ltd.**
18 Tuas South Street 5
Singapore 637796
Tel: +65-6795-7555
Fax: +65-6863-1368

