



Parts Manual

Model Carton Clamp

Serial Number 30E-CCS-176

cascade[®]

For Technical Assistance call: 800-227-2233, Fax: 888-329-8207

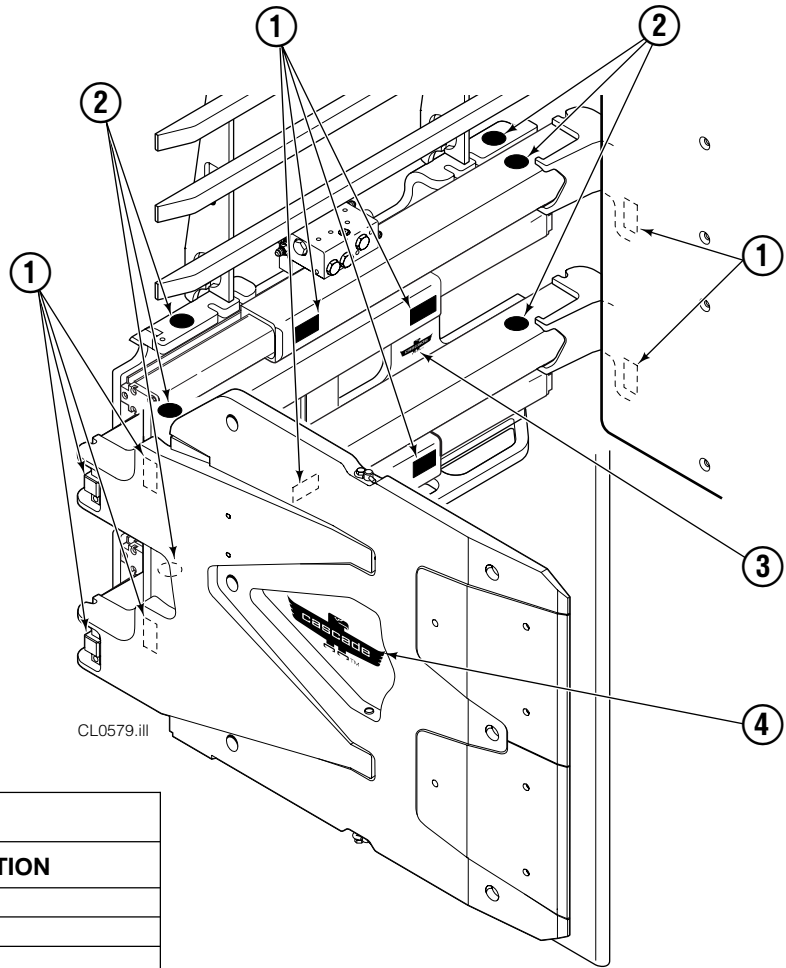
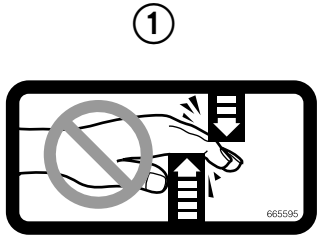
To Order Parts call: 888-227-2233, Fax: 888-329-0234

OR

Write: Cascade Corporation, P.O. Box 20187, Portland, OR 97220

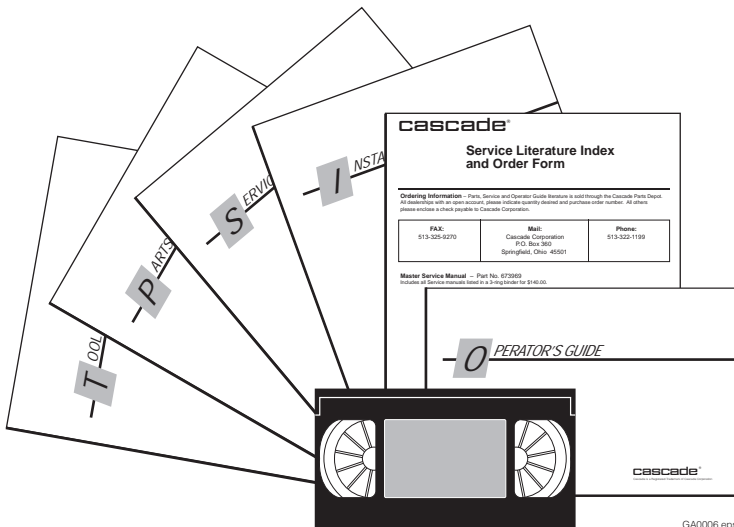
Internet: www.cascorp.com

Decals



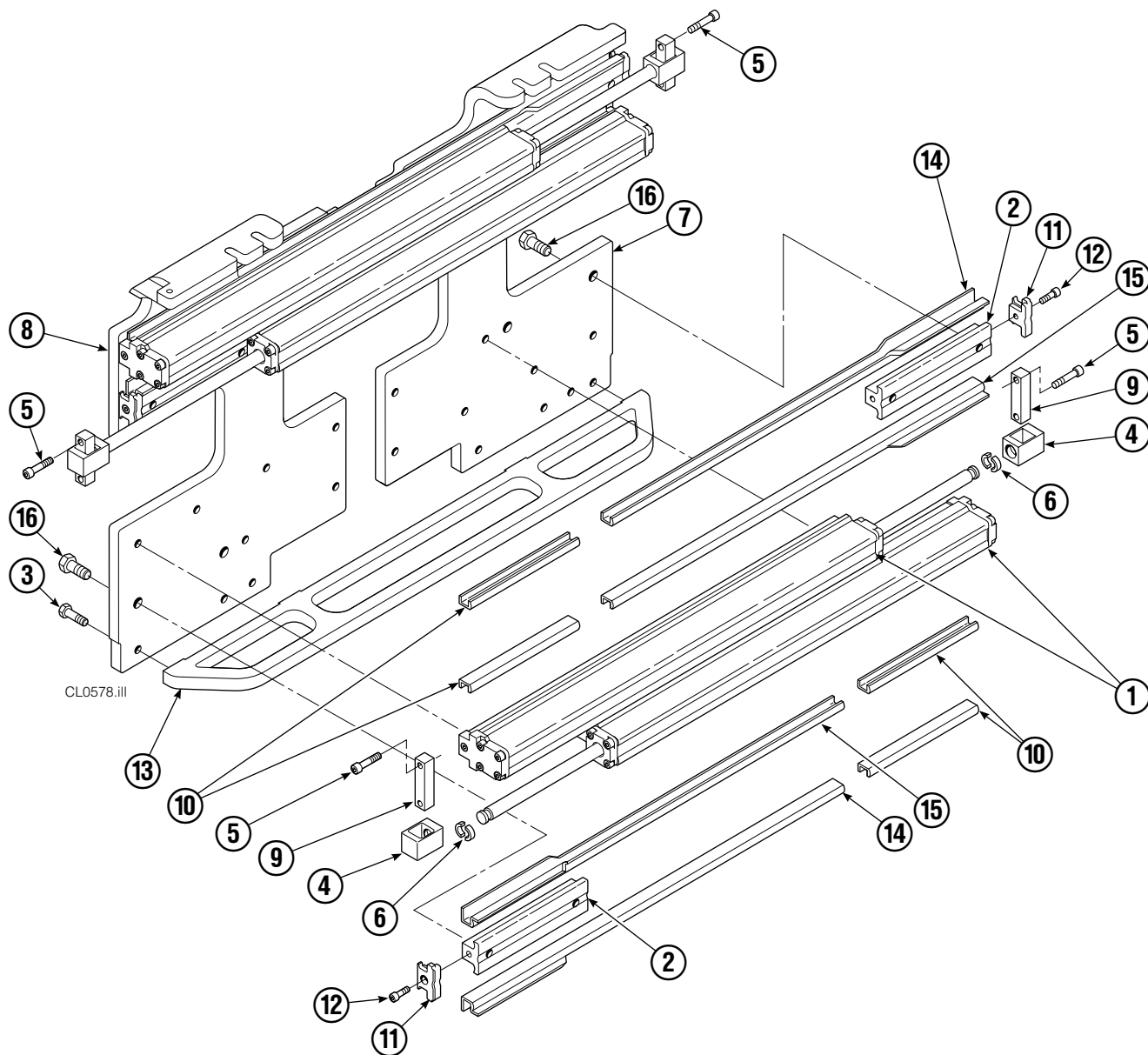
30E			
REF	QTY	PART NO.	DESCRIPTION
1	12	665595	No Hand Hold Decal
2	6	679150	No Step Decal
3	1	211274	Eagle - 80 mm
4	2	211276	Eagle - 240 mm

Publications



30E	
PART NO.	DESCRIPTION
	Parts Manual
215204	Service Manual
210273	Operator's Guide
212116	Installation Instructions
679929	Tool Catalog
673964	Literature Index Order Form

Base Unit Group



CL0578.iii

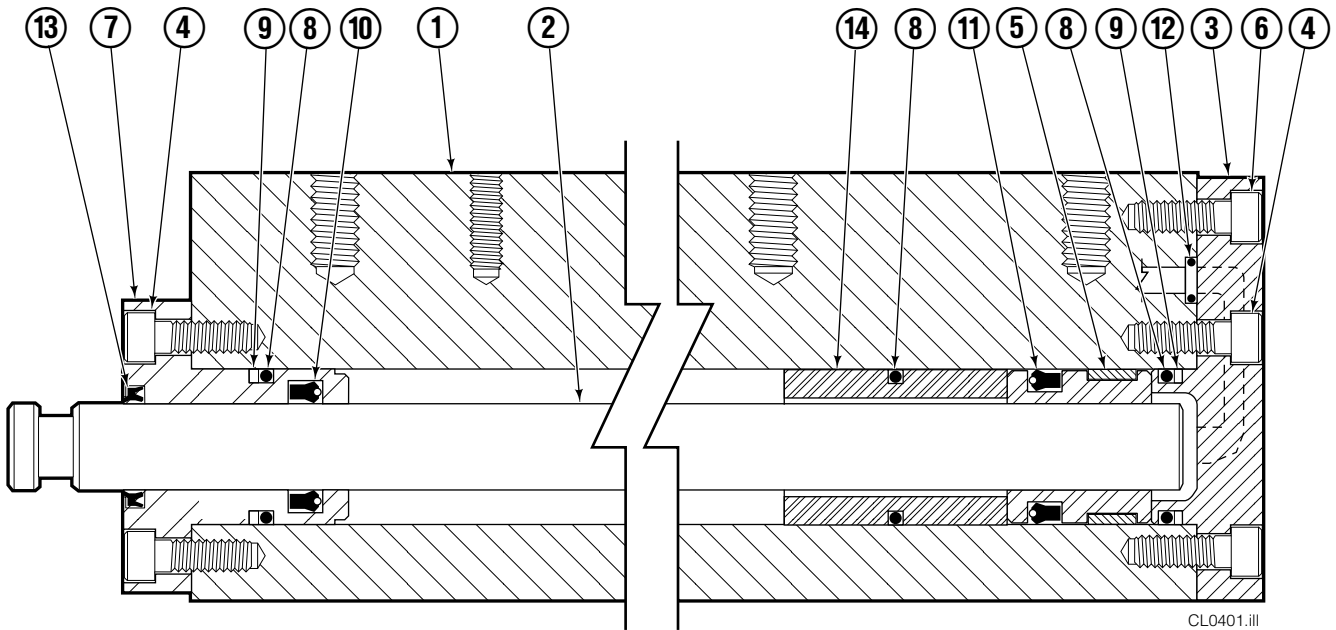
30E							
REF	QTY	PART NO.	DESCRIPTION	REF	QTY	PART NO.	DESCRIPTION
		6012366	Base Unit Group	9	4	210489	Rod End Anchor ●
1	4	3008100	Cylinder ▲	10	8	213735	Bearing Spacer
2	4	217001	T-Bar	11	4	210140	Bearing Retainer
3	28	211689	Capscrew, M12 x 30 GR 10.9	12	4	787375	Capscrew, M8 x 20
4	4	209741	Rod End ●	13	1	6008760	Bumper
5	8	768303	Capscrew, M10 x 35 ●	14	4	209120	Bearing
6	8	210490	Retainer Half Ring ●	15	4	209119	Bearing
7	1	3008095	Baseplate - LH	16	8	211128	Capscrew, M16 x 30 GR 10.9
8	1	3008096	Baseplate - RH			213856	Service Kit

▲ See Cylinder page for parts breakdown.

● Included in Cylinder Rod Anchor Kit 213856.

Reference: SK-6089.

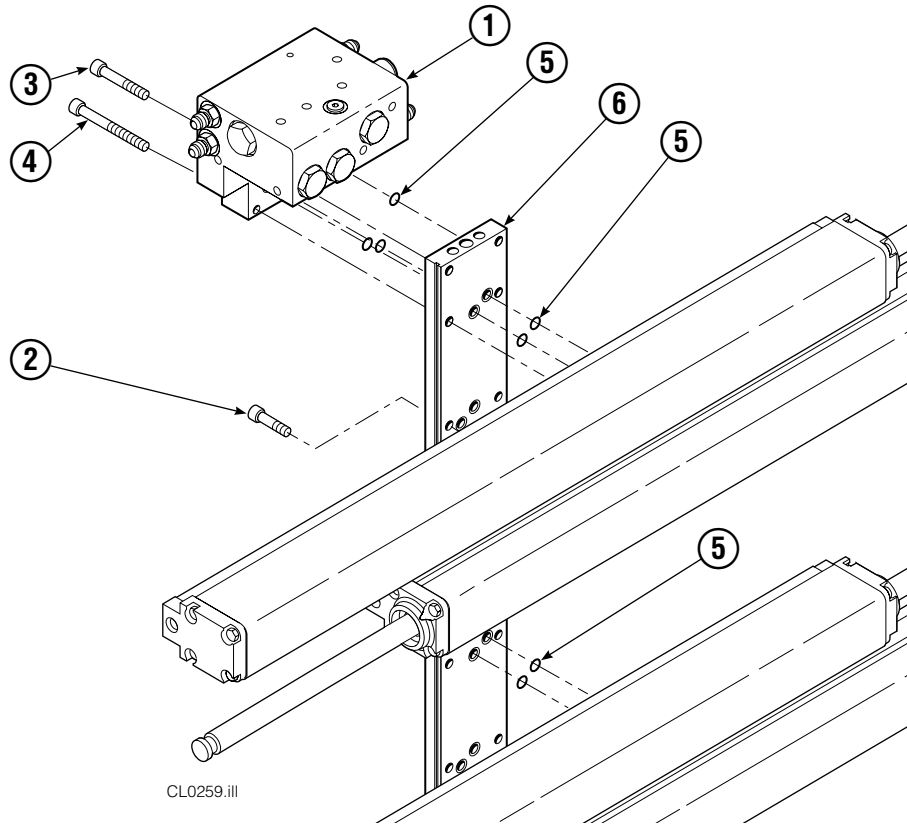
Cylinder



REF	QTY	PART NO.	DESCRIPTION	REF	QTY	PART NO.	DESCRIPTION
		3008100	Cylinder Assembly	8	3	210053	O-Ring ▲
1	1	210118	Cylinder/Shell	9	2	210050	Back-Up Ring ▲
2	1	4157-820	Rod	10	1	212477	Seal ▲
3	1	213783	Cap	11	1	209808	Seal ▲
4	8	768208	Capscrew, M8 x 25	12	3	643379	O-Ring ▲
5	1	209809	Bearing ▲	13	1	562131	Wiper ▲
6	1	787375	Capscrew, M8 x 20	14	1	4274-160	Spacer
7	1	212452	Retainer			210288	Service Kit

▲ Included in Service Kit 210288
Reference: S-4644, S-4643.

Hydraulic Group

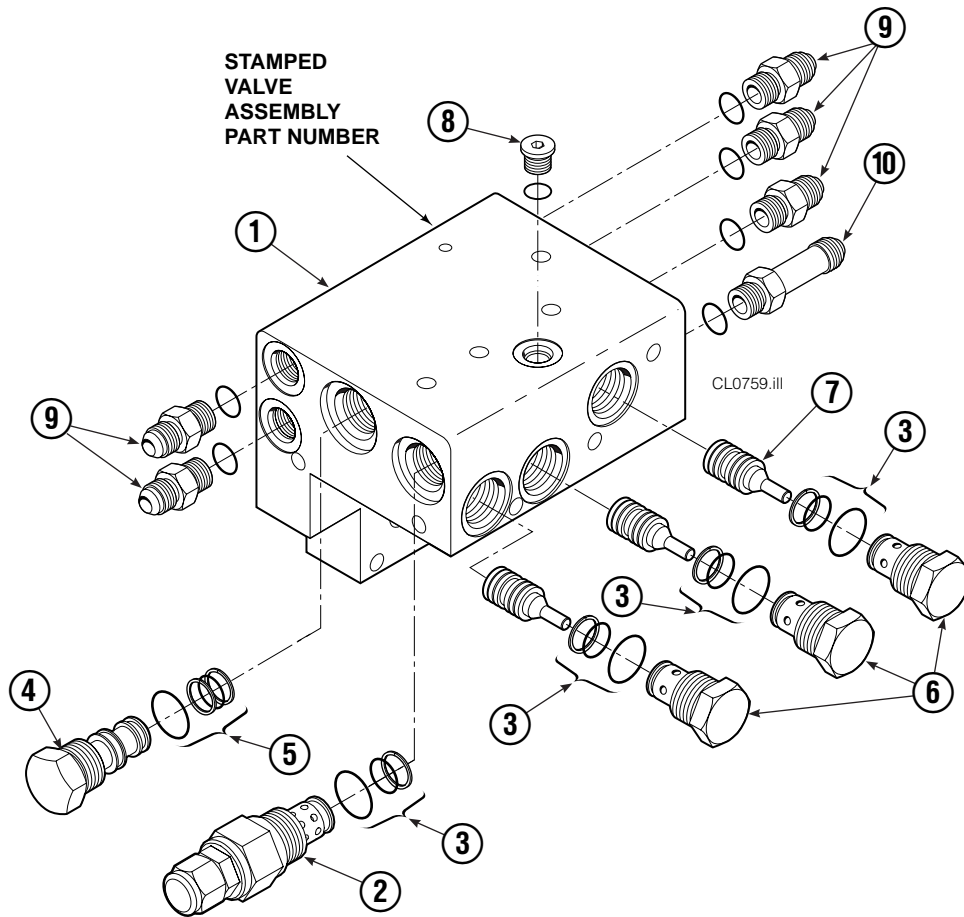


30E			
REF	QTY	PART NUMBER	DESCRIPTION
		397326	Valve Group
		212983	Manifold Group
1	1	397275	Valve Assembly ▲
2	6	768208	Capscrew, M8 x 25
3	2	768797	Capscrew, M8 x 40
4	2	768800	Capscrew, M8 x 60
5	11	214053	O-Ring
6	1	212974	Manifold

▲ See Valve page for parts breakdown, part number

Valve

Sideshifting Without Regeneration

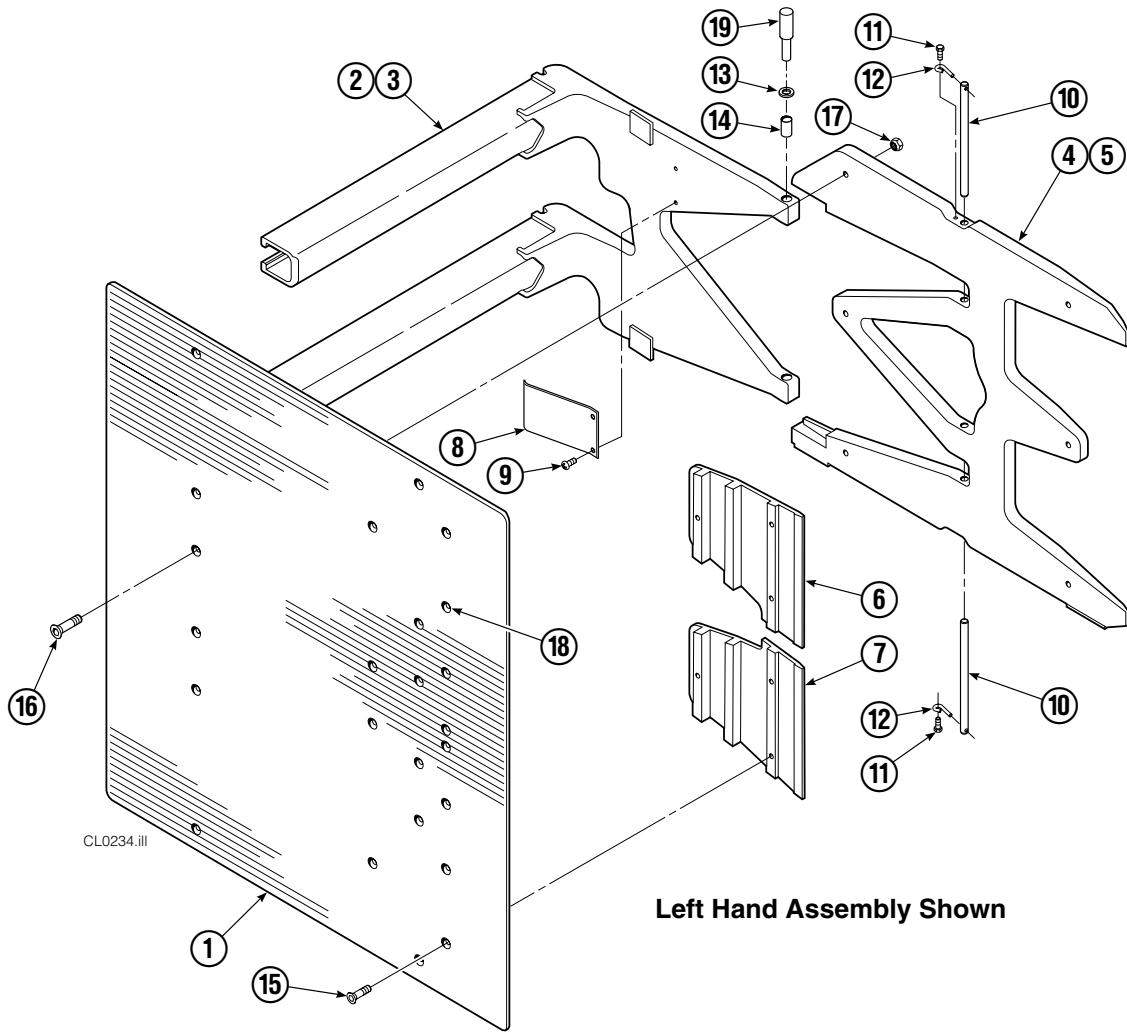


30E			
REF	QTY	PART NO.	DESCRIPTION
		397275	Valve Assembly
1	1	397274	Valve Body
2	1	214405	Crossover Relief Valve
3	4	682170	Seal Kit ▲
4	1	679988	Shuttle Valve
5	1	679991	Seal Kit ▲
6	3	209847	Check Valve
7	3	215756	Piston
8	1	609234	Fitting, 4
9	5	604511	Fitting, 6-6 ●
10	1	605743	Fitting, 6-6 ●
		210452	Valve Service Kit

▲ Included in Valve Service Kit 397316.

● Included in Fitting Group 212978.

Arms and Pads



Left Hand Assembly Shown

30E			
		CONTACT PAD WIDTH	
REF	QTY	52 in.	DESCRIPTION
1	2	6100074	Contact Pad
2	1	6009721	Arm – LH
3	1	6009769	Arm – RH
4	1	6009773	Stabilizer – LH
5	1	6009781	Stabilizer – RH
6	2	210180	Filler Block – LH Upper/RH Lower
7	2	210146	Filler Block – LH Lower/RH Upper

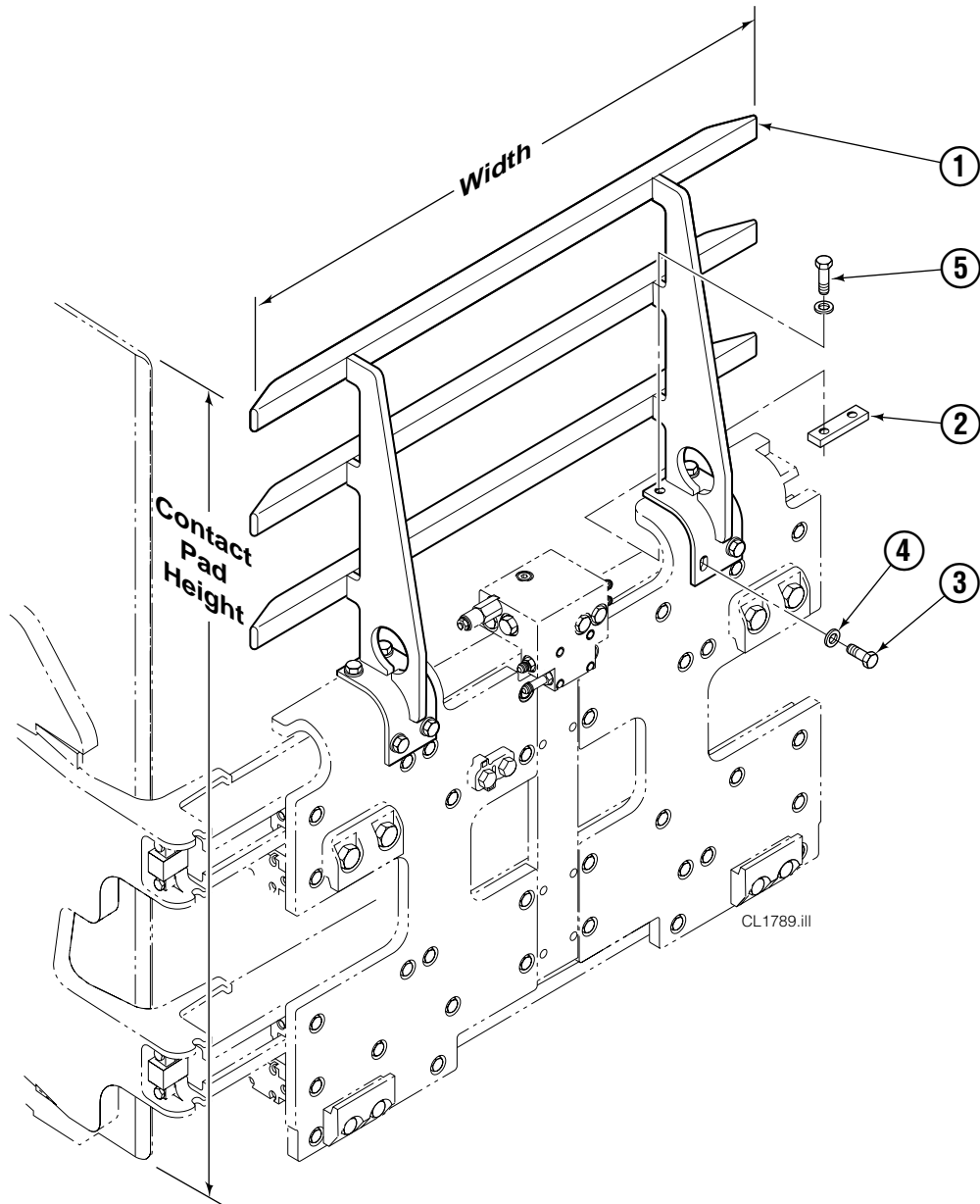
Common Parts

REF	QTY	PART NO.	DESCRIPTION	REF	QTY	PART NO.	DESCRIPTION
8	2	210154	Spring	14	8	200590	Bushing
9	4	203405	Capscrew, M10 x 16	15	12	766646	Capscrew, M10 x 20
10	4	210161	Pin	16	12	768706	Capscrew, M12 x 35
11	4	787372	Capscrew, M8 x 20	17	12	221409	Nut, M12
12	4	689954	Eye Pin	18	▲	673841	Contact Pad Repair Kit
13	8	675620	Washer, M10	19	1	675626	Bushing Driver Tool

Stabilizer Group 6009800, Contact Pad Group 6100073.
Common Parts 210495.

▲ Repairs one hole.

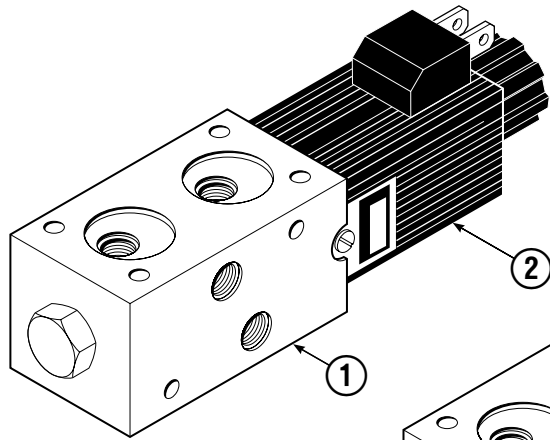
Backrest Group



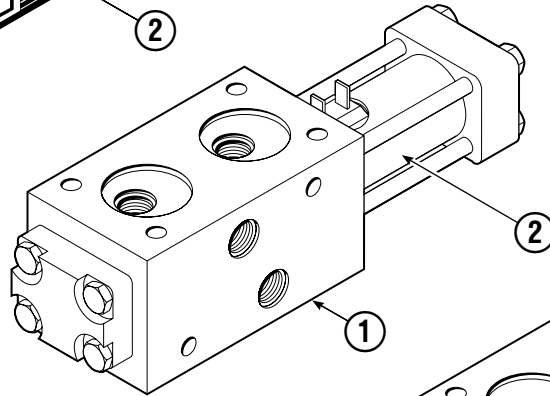
30E			
REF	QTY	PART NO.	DESCRIPTION
1	1	6100966	Backrest
2	2	210155	Plate
3	4	211689	Capscrew, M12 x 30
4	8	667910	Washer, M12
5	4	206174	Capscrew, M12 x 45

Reference: Hardware Group 211448 (Items 2 thru 5). S-4265.

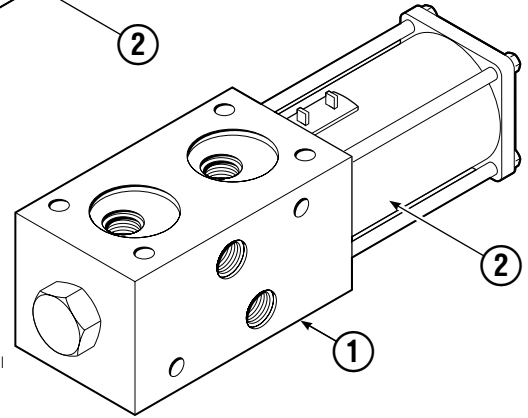
Solenoid Valves



**New Style
Waterman**



**Old
Waterman**



Racine

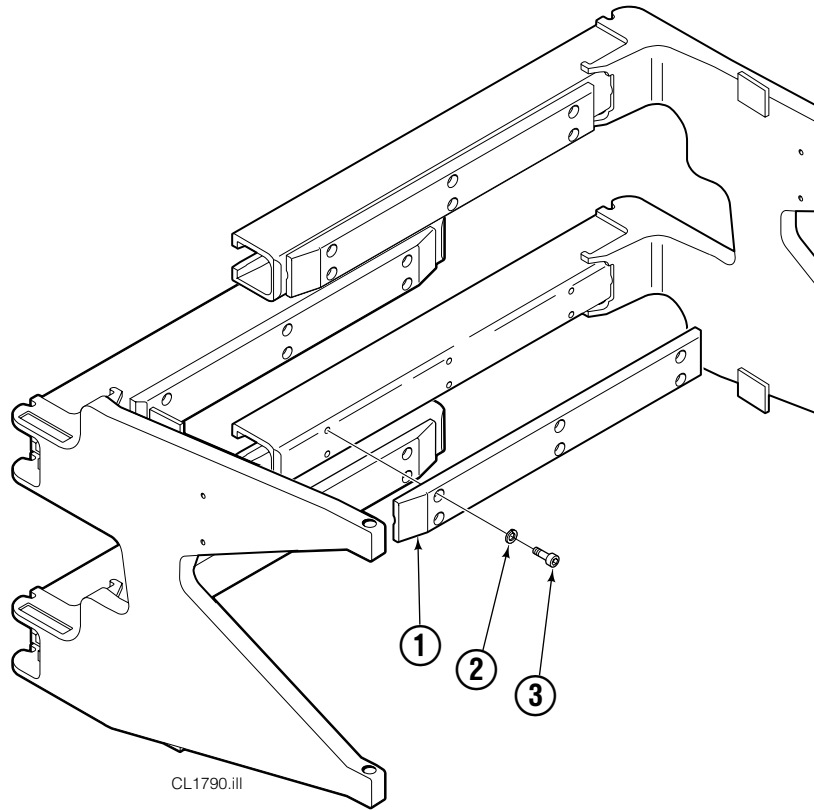
GA0074.iii

NOTE: The Waterman new style solenoid with black coil, Waterman old style solenoid and Racine solenoid valve assemblies are interchangeable as a unit. Replacement coils **must** match the valves. If one brand is preferred over another you **must** specify both the part number and brand name.

REF	QTY	New Style Waterman		Old Style Waterman	Racine	DESCRIPTION
		No. 6 SAE	No. 8 SAE			
		PART NO.	PART NO.	PART NO.	PART NO.	
1	1	200585	200548	614089	614089	Solenoid Valve-12V
1	1	200586	200549	614091	614091	Solenoid Valve-24V
1	1	200587	200550	614092	614092	Solenoid Valve-36V
1	1	200588	200254	614093	614093	Solenoid Valve-48V
1	1	—	—	614094	—	Solenoid Valve-72V
2	1	200255	200255	611458	665044	Coil-12V
2	1	200256	200256	611460	665045	Coil-24V
2	1	200257	200257	611461	665046	Coil-36V
2	1	200258	200258	614097	665047	Coil-48V
2	1	—	—	614098	—	Coil-72V
		—	—	685072	685012	Service Kit

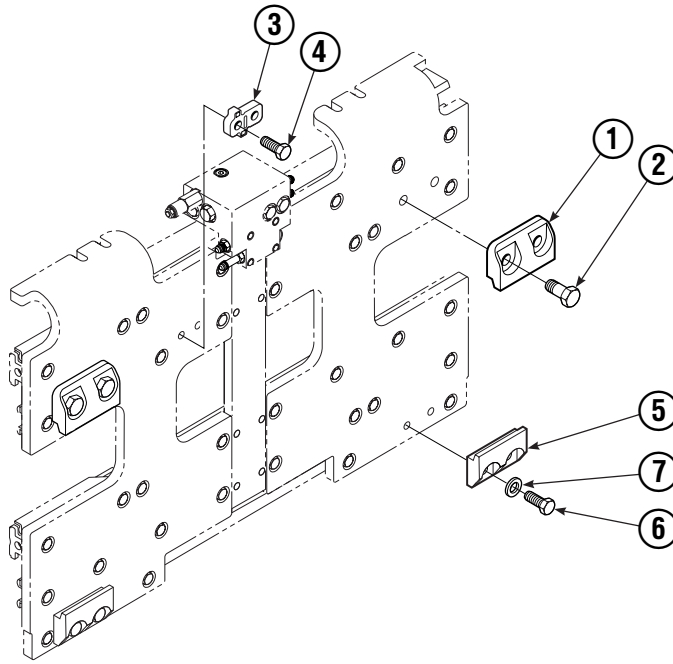
Reference: S-962.

Bumper Group



30E			
REF	QTY	PART NO.	DESCRIPTION
		6008704	Bumper Group
1	1	6008545	Bumper
2	24	201570	Washer, M10
3	24	767615	Bolt

Bolt-On Mounting Group



CL0236.iii

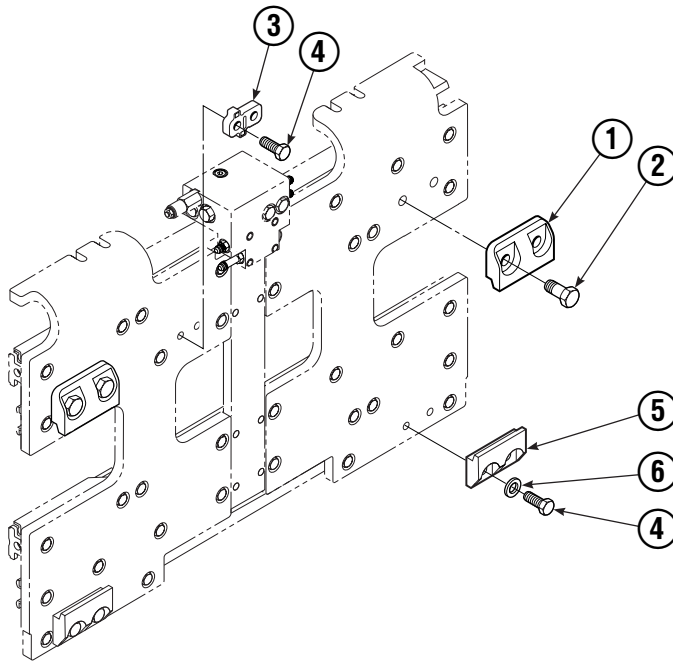
30E			
REF	QTY	ITA II	DESCRIPTION
		PART NO.	
		211162	Upper Mounting Group ▲
		211173	Lower Mounting Group ●
1	2	210491	Upper Hook
2	4	768577	Capscrew, M20 x 35
3	1	212999	Center Key
4	2	211129	Capscrew, M16 x 35
5	2	675968	Lower Hook
6	4	211128	Capscrew, M16 x 30
7	4	211179	Washer, M16

▲ Includes items 1–4.

● Includes items 4–6.

Reference: SK-6089.

Bolt-On Mounting Group



CL0236.ill

30E			
REF	QTY	ITA III PART NO.	DESCRIPTION
		211158	Upper Mounting Group ▲
		211175	Lower Mounting Group ●
1	2	211157	Upper Hook
2	4	772193	Capscrew, M20 x 35
3	1	213000	Center Key
4	6	211128	Capscrew, M16 x 30
5	2	675969	Lower Hook
6	4	211179	Washer, M16

▲ Includes items 1-4.

● Includes items 4-6.

Reference: SK-6089.

Do you have questions you need answered right now? Call your nearest Cascade Parts Department.

Cascade Corporation
2501 Sheridan Avenue
Springfield, OH 45505
Tel: 888-CASCADE (227-2233)
FAX: 888-329-0234
www.cascorp.com

Cascade Canada Inc.
5570 Timberlea Blvd.
Mississauga, Ontario
Canada L4W-4M6
Tel: 905-629-7777
FAX: 905-629-7785

Cascade GmbH
D-41199 Monchengladbach
Klosterhofweg 52
Germany
Tel: 21-66-602091
FAX: 21-66-680947

Cascade Finland
01370 Vantas
Finland
Tel: 358-0-836-1925
FAX: 358-0-836-1935

**Cascade N.V.
European Headquarters**
P.O. Box 3009
1300 El Almere
Damsluisweg 56
1332 ED Almere
The Netherlands
Tel: 31-36-5492911
FAX: 31-36-5492964

**Cascade N.V.
Benelux Sales and Service**
P.O. Box 3009
1300 El Almere
Damsluisweg 56
1332 ED Almere
The Netherlands
Tel: 31-36-5492950
FAX: 31-36-5492974

Cascade (UK) Ltd.
15, Orgreave Crescent
Dore House Industrial Estate
Handsworth
Sheffield S13 9NQ
England
Tel: 742-697524
FAX: 742-695121

**Cascade Scandinavia
Hydraulik A.B.**
Muskötgatan 19, E8-9
S25466 Helsingborg
Sweden
Tel: 42-151135
FAX: 42-152997

Cascade Norway
Østerliveien 37A
1153 Oslo
Norway
Tel: 47-22-743160
FAX: 47-22-743157

Cascade France S.A.R.L.
11, Rue Jean Charcot
Zone Industrielle Sud or
B.P. 22
91421 Morangis Cedex
France
Tel: 1- 64547501
FAX: 1-9790584

Cascade Hispania S.A.
Avenida De La Fabregada, 7
Hospitalet De Llobregat
Barcelona
Spain
Tel: 3-335-5158
FAX: 3-335-4756

Cascade Japan Ltd.
5-5-41,
Torikai Kami
Settsu, Osaka
Japan, 566
Tel: 81-726-53-3490
FAX: 81-726-53-3497

Cascade Korea
Room 508, Pum Yang Bldg.
750-14, Bang Bac-Dong
Se-Cho Ku, Seoul
Korea
Tel: 2599-7131 ext. 512
FAX: 2533-8089

HYCO-Cascade Pty. Ltd.
1445 Ipswich Road
Rocklea,
Queensland 4107
Australia
Tel: 3-274-2722
FAX: 3-274-3456

HYCO-Cascade (NZ) Ltd.
15 Ra Ora Drive, East Tamaki
P.O. Box 38-440
Howick, Auckland
New Zealand
Tel: 9-273-9136
FAX: 9-273-9137

Cascade (Africa) Pty. Ltd.
P.O. Box 625, Isando 1600
60A Steel Road
Sparton, Kempton Park
South Africa
Tel: 975-9240
FAX: 394-1147

Cascade-Xiamen
Wanshan No. 1 Workshop
Huli Road
Xiamen 361006
Fujian, PRC
Tel: 592-562-4600
FAX: 592-562-4671

**Cascade (Singapore)
Trading Co.**
Four Seasons Park
Autumn Block - Apt. 1802
12 Cascaden Walk
Singapore
Tel: 65-834-1935
FAX: 65-834-1936

