



Parts Manual

Model _____ Paper Roll Clamp

Serial Number _____ 72G-RCP-B003R1

cascade[®]
corporation

For Technical Assistance call: 800-227-2233, Fax: 888-329-8207

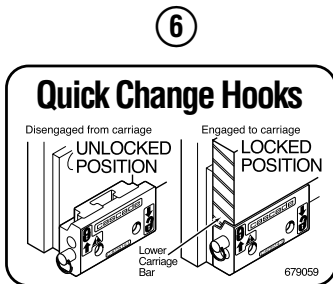
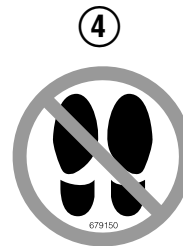
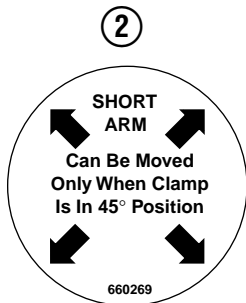
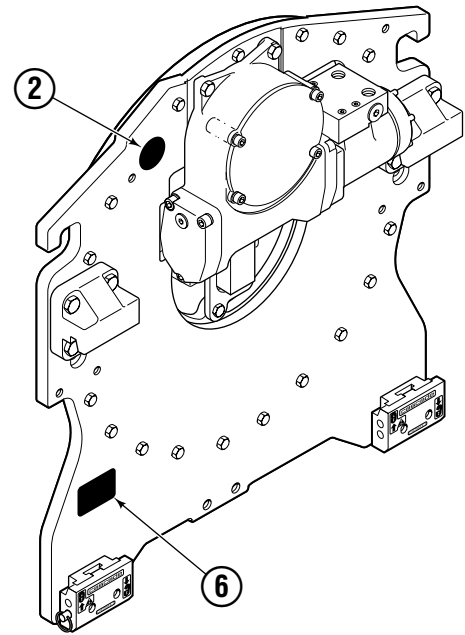
To Order Parts call: 888-227-2233, Fax: 888-329-0234

OR

Write: Cascade Corporation, P.O. Box 20187, Portland, OR 97220

Internet: www.cascorp.com

Decals



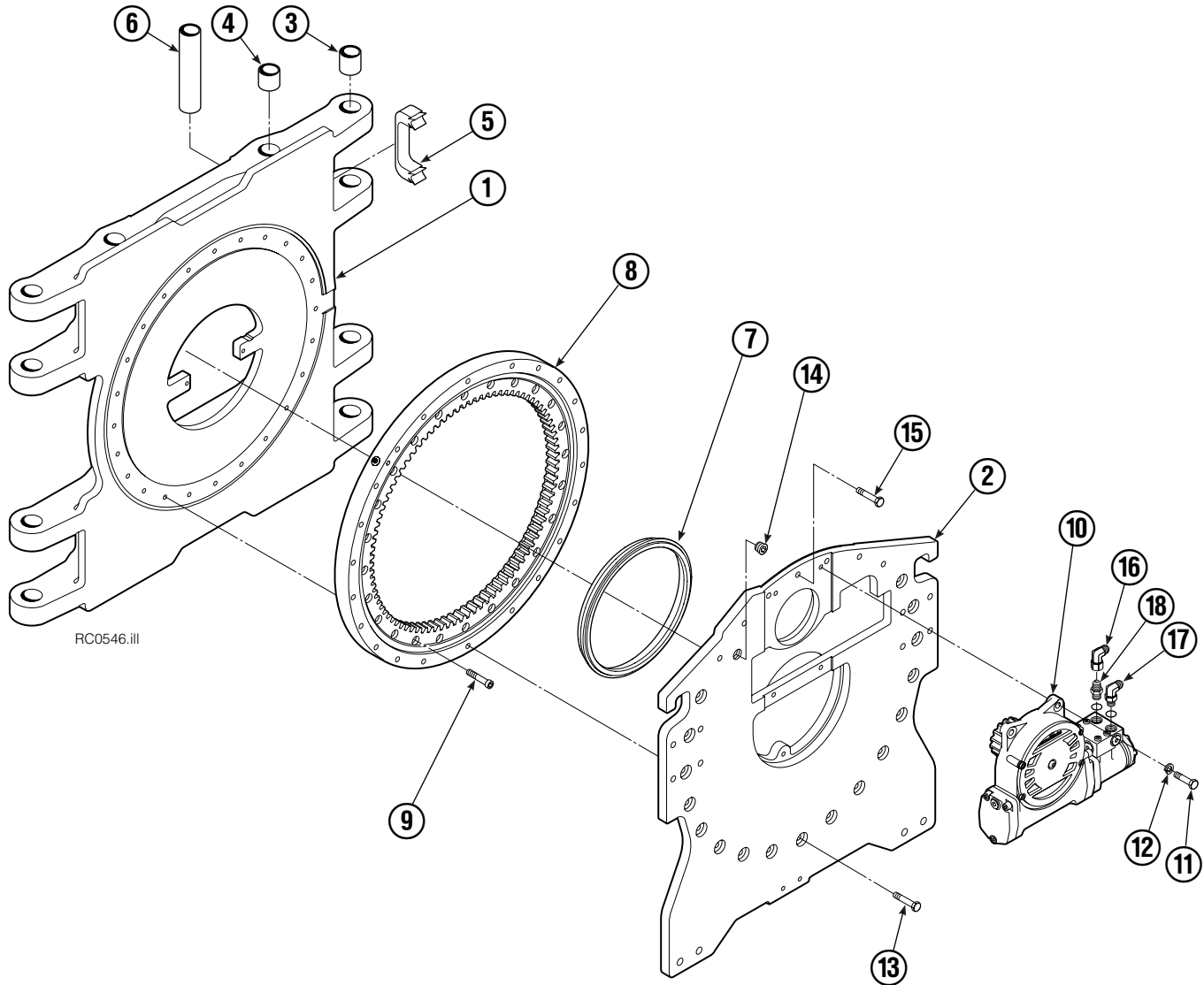
72G				
REF	QTY	PART NO.	DESCRIPTION	
1	6	665595	No Hand Hold Decal	
2	1	660269	Short Arm Rotation Position Decal	
3	4	656038	Caution Decal	
4	4	679150	No Step Decal	
5	4	665677	Trapped Pressure Decal	
6	1	679059	Quick-Change Hook Decal	

Publications



72G	
PART NO.	DESCRIPTION
	Parts Manual
213744	Service Manual
210135	Operator's Guide
212420	Installation Instructions - Fixed Frame
677555	Driver Training Video - VHS
678363	Troubleshooting Video - VHS
680664	Servicing Cascade Cylinders - VHS
679929	Tool Catalog
673964	Literature Index Order Form

Frame Group



72G

REF	QTY	PART NO.	DESCRIPTION	REF	QTY	PART NO.	DESCRIPTION
		221780	Frame Group – 60 in. ▲	12	4	683822	Lockwasher, M12
1	1	221767	Frame – 60 in. ▲	13	17	643538	Capscrew, .5 x 1.5
2	1	399046	Baseplate	14	1	6605	Fitting, 3/4 in.
3	8	211718	Bearing	15	7	643539	Capscrew, .5 x 1.75
4	8	211717	Bearing	16	1	605761	Fitting, 8-8 SAE
5	4	211712	Hose Guard	17	1	601250	Fitting, 8-8 SAE
6	4	209987	Spacer	18	1	601377	Fitting, 8-8 SAE
7	1	209944	Seal			—	Bearing Service Kit (items 3, 4, 6)
8	1	672830	Bearing Assembly			—	Pin Service Kit (items 4, 6)
9	24	4507	Capscrew, .5 x 1.75			—	Pin Service Kit (items 3)
10	1	795492	Drive Group – 2.8 c.i. Motor ●			685842	Bearing Service Kit (items 8,9,12,13,15)
11	4	211689	Capscrew, M12 x 30			669344	Stop Block Kit

▲ Maximum roll handling capacity.

● See Drive Group page for parts breakdown.

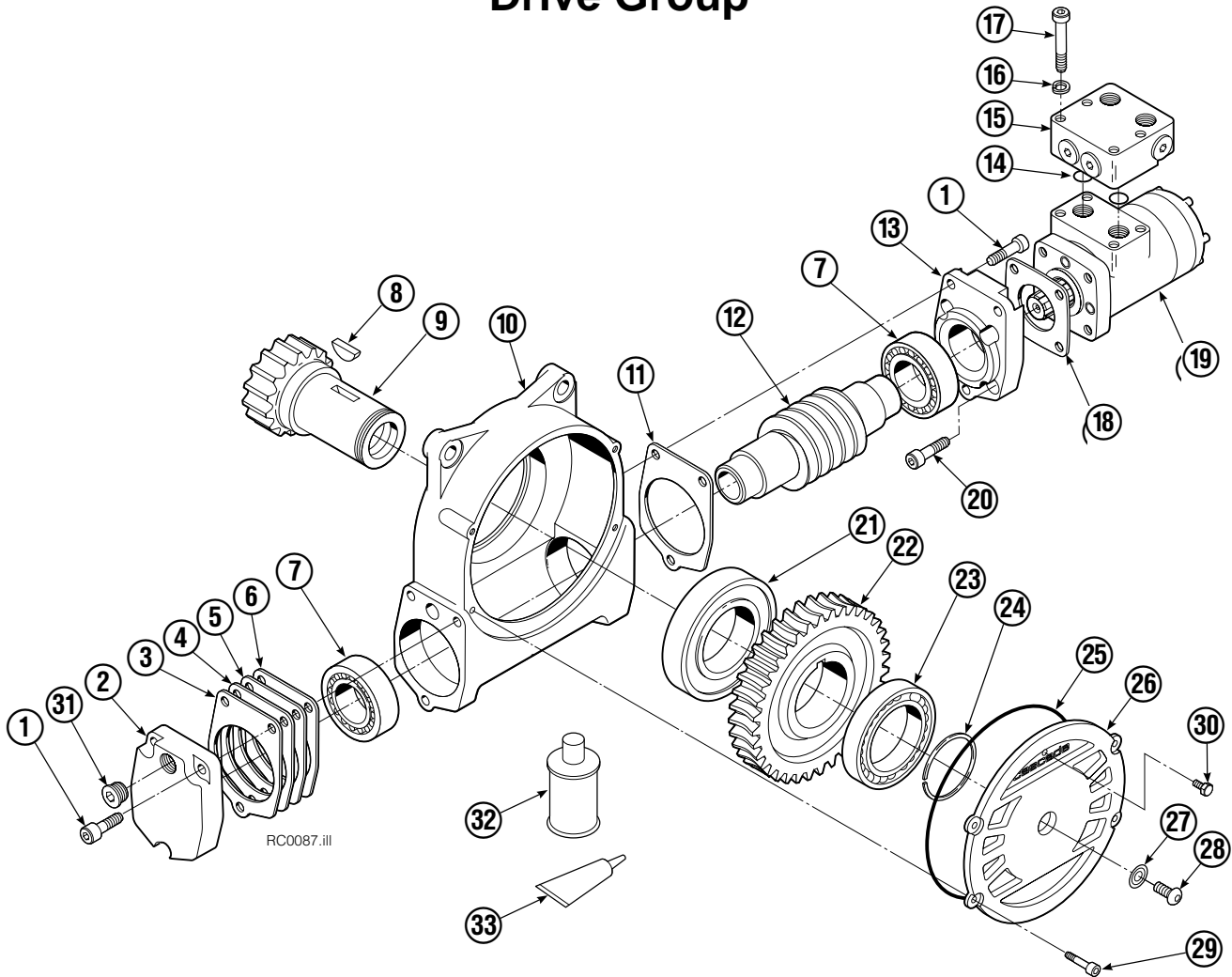
Reference: S-4165, S-4188, S-4650, S-4733.

Reference: Common Parts Groups 211975, 399052.

Baseplate Group 399284.

Fitting Group 212367.

Drive Group



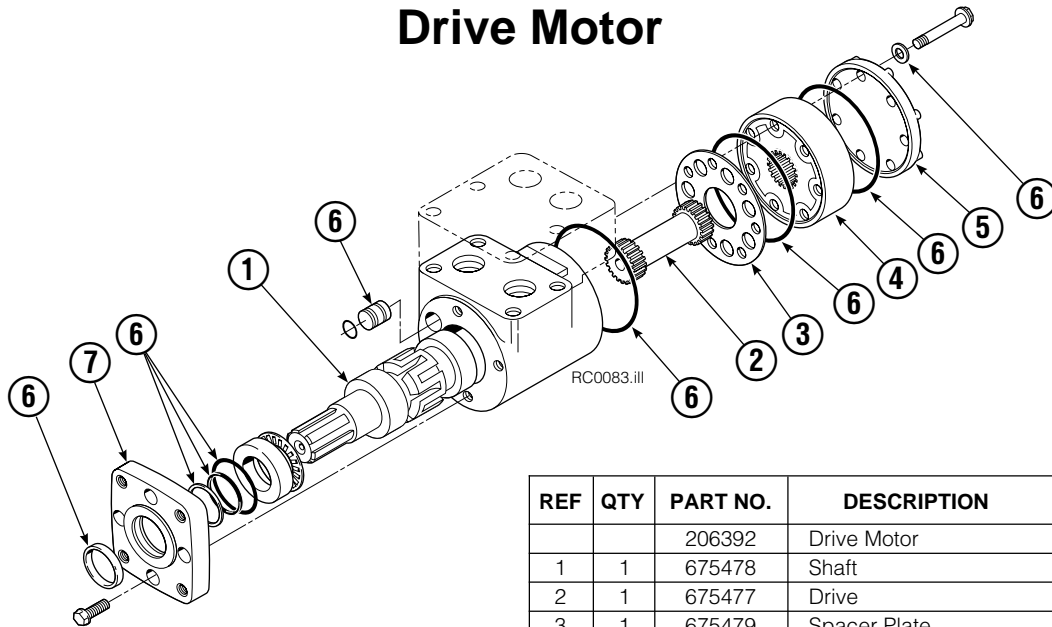
REF	QTY	PART NO.	DESCRIPTION	REF	QTY	PART NO.	DESCRIPTION
		795492	Drive Group with 2.8 c.i. Motor	19	1	206392	Drive Motor – 2.8 c.i. ■
1	6	769570	Capscrew, M12 x 25	20	4	4468	Capscrew, 3/8 NC x .75 GR8
2	1	676855	Cover	21	1	670580	Bearing
3	●	674513	Shim – .005" (blue)	22	1	675609	Worm Gear
4	●	670574	Shim – .010" (brown)	23	1	670581	Bearing
5	●	671757	Shim – .015" (pink)	24	1	7214	Snap Ring
6	●	671758	Shim – .020" (yellow)	25	1	643423	O-Ring
7	2	670579	Bearing	26	1	775552	Cover
8	1	670582	Key	27	1	783609	Seal
9	1	670556	Pinion	28	1	783608	Capscrew, M10 x 16
10	1	775551	Housing	29	4	200882	Capscrew, M8 x 20
11	1	686465	Gasket	30	1	644010	Relief Fitting
12	1	675608	Worm	31	1	604510	Fitting, 6
13	1	775553	Adapter	32	1	656300	Gear Box Lube – 48 oz.
14	2	2705	O-Ring	33	1	668184	Sealant
15	1	670549	Check Valve ▲			670578	Shim Service Kit (items 3-6,25,33)
16	4	6444	Lockwasher			675637	Bearing Service Kit (items 21 & 33)
17	4	607059	Capscrew, 5/16 NC x 1.75 GR8			675638	Bearing Service Kit (items 3-7,25)
18	1	670575	Gasket			685227	Motor Kit-4.5 (items 4,14,18)

● Quantity as required.

■ See Drive Motor page for parts breakdown.

▲ See Check Valve page for parts breakdown.

Drive Motor



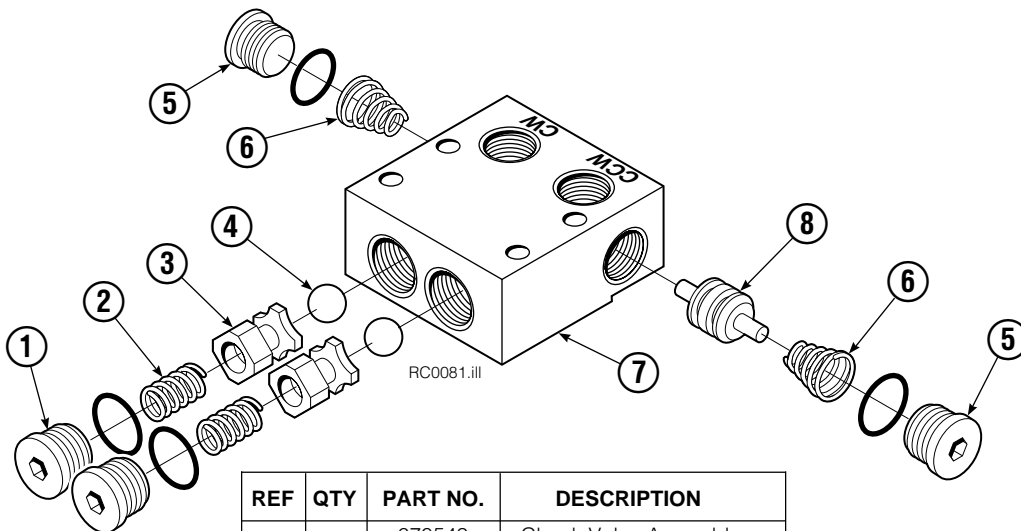
REF	QTY	PART NO.	DESCRIPTION
		206392	Drive Motor
1	1	675478	Shaft
2	1	675477	Drive
3	1	675479	Spacer Plate
4	1	675480	■ Gerotor Set (101-1768-007)
4	1	685075	■ Gerotor Set (101-1768-009)
5	1	675482	End Cap
6	1	206405	● Service Kit
7	1	685089	■ Flange (101-1768-007)
7	1	685090	■ Flange (101-1768-009)

Cascade provides service replacement parts for the listed parts only. Due to cost, if others parts need replacement, the complete drive motor should be replaced.

■ See Nameplate under valve for correct part number of Gerotor Set and Flange.

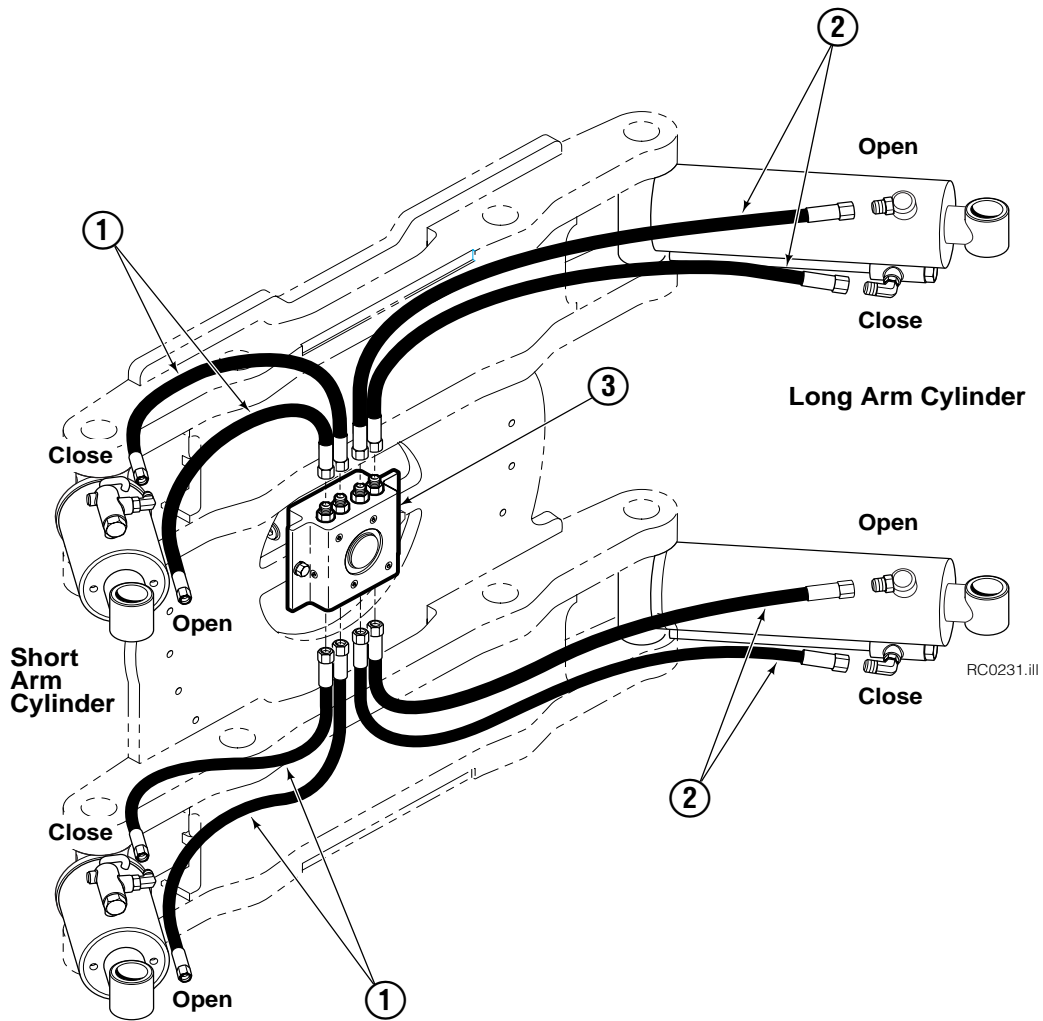
● Compatible with water glycol based hydraulic fluids.

Check Valve



REF	QTY	PART NO.	DESCRIPTION
		670549	Check Valve Assembly
1	2	609453	Fitting, 10
2	2	670552	Spring
3	2	670551	Guide
4	2	7020	Ball
5	2	602580	Fitting, 8
6	2	673989	Spring
7	1	670550	Body
8	1	670553	Spool

Hosing Group Positioned Short Arm



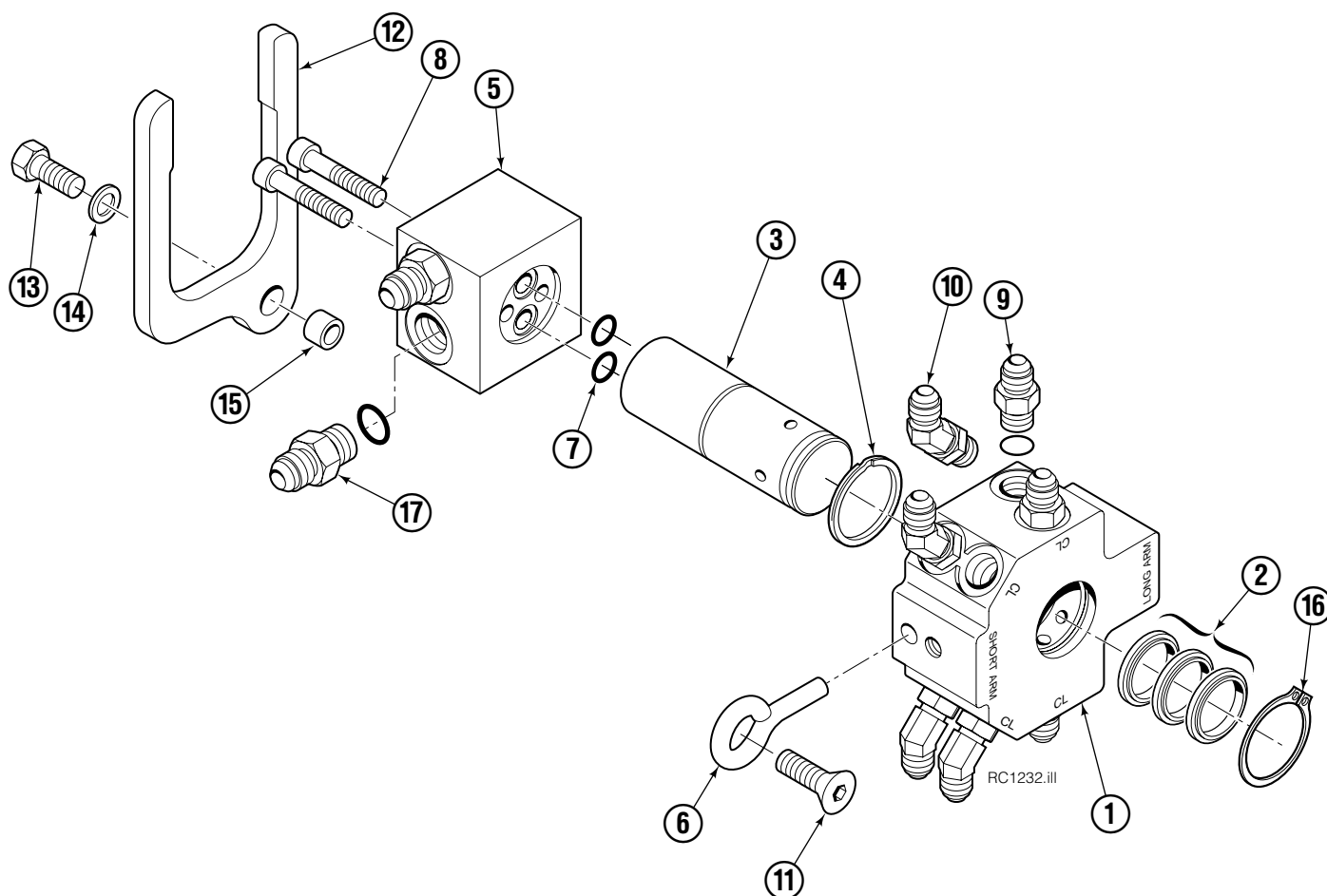
72G			
REF	QTY	60 in. ■	DESCRIPTION
		PART NO.	
		221781	Hose Group
1	4	675084	Hose, 25.75"
2	4	210022	Hose, 35.5"
3	1	▲	Revolving Connection

■ Maximum roll handling capacity.

▲ See Revolving Connection page for part number.

Reference: S-4193, S-4194.

Revolving Connection



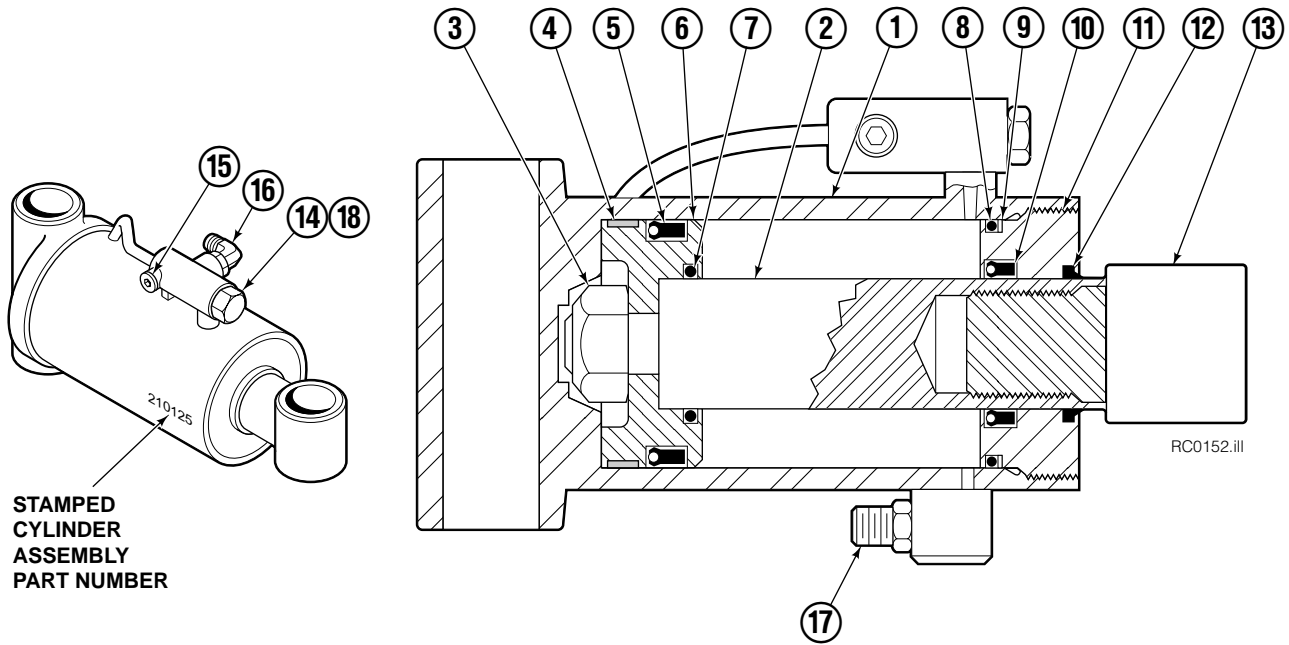
REF	QTY	PART NO.	DESCRIPTION
		222393	Revolving Connection
1	1	222192	Valve Body
2	3	214649	◆ Seal
3	1	222389	Shaft
4	1	7341	◆ Retaining Ring
5	1	222190	End Block
6	2	227962	Eye Pin
7	2	564448	◆ O-Ring
8	2	766123	◆ Capscrew, M8 x 50
9	4	604511	Fitting, 6-6
10	4	611302	Fitting, 6-6
11	2	768697	Capscrew, M10 x 25
12	1	211909	End Block Retainer
13	1	215480	Capscrew, M10 x 25
14	1	209021	Washer, M10
15	1	212725	Spacer
16	1	3138	◆ Retaining Ring
17	2	601377	● Fitting, 8-8

◆ Included in Service Kit 222223.

● Included in Fitting Group 212367.

Reference: SK-6113.

Long Arm Cylinder



66G							DESCRIPTION
REF	QTY	51 in. ■ PART NO.	55 in. ■ PART NO.	60 in. ■ PART NO.	63 in. ■ PART NO.	72 in. ■ PART NO.	
		213638	213634	213640	213636	213642	Cylinder Assembly
1	1	4195-358	4195-376	4195-395	4195-422	4195-410	Shell
2	1	4130-348	4130-379	4130-390	4130-420	4130-500	Rod

■ Maximum roll handling capacity.

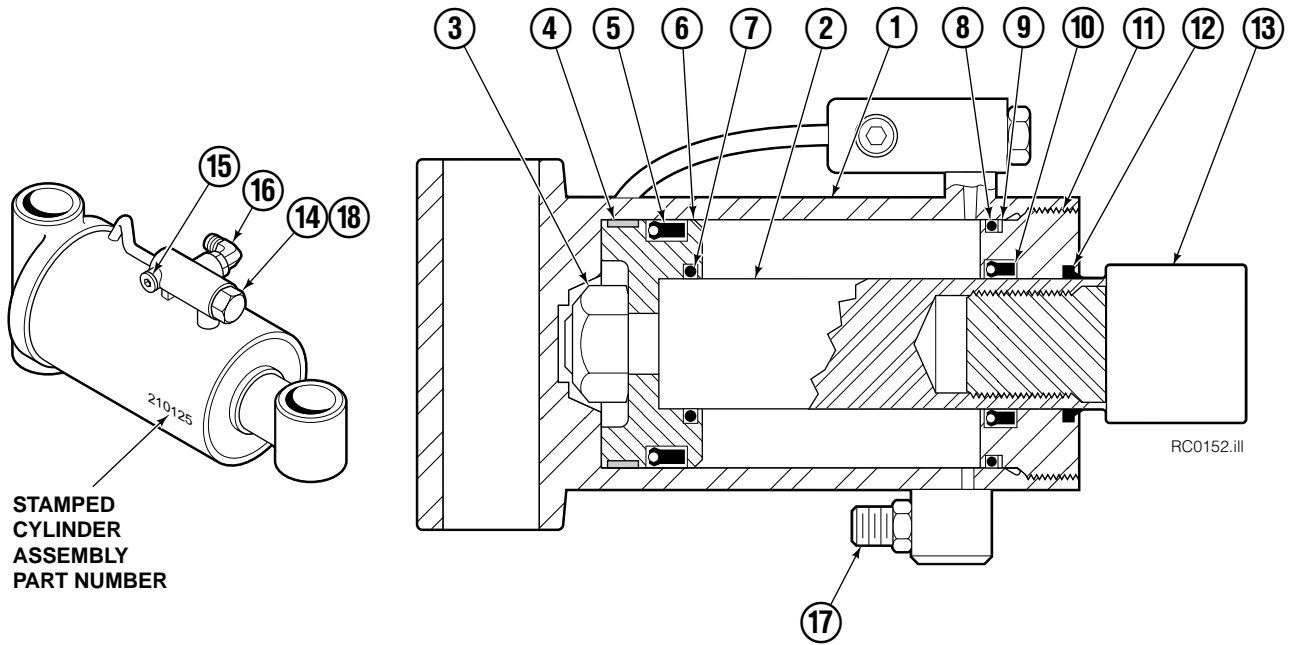
Common Parts

REF	QTY	PART NO.	DESCRIPTION	REF	QTY	PART NO.	DESCRIPTION
3	1	560997	Nut	12	1	564443	▲ Wiper
4	1	211295	▲ Wear Ring	13	1	209764	Rod End
5	1	564902	▲ Seal	14	1	659058	Check Valve
6	1	211292	Piston	15	1	609234	Fitting, 4
7	1	210087	▲ O-Ring	16	1	601676	Fitting, 6-6
8	1	564445	▲ O-Ring	17	1	604511	Fitting, 6-6
9	1	564446	▲ Back-Up Ring	18	1	667516	Check Valve Service Kit
10	1	564442	▲ Seal			210133	Cylinder Service Kit
11	1	209763	Retainer				

▲ Included in Service Kit 210133.

Reference: S-4195, LS-4454, S-4460.

Short Arm Cylinder



66G							
REF	QTY	51 in. ■	55 in. ■	60 in. ■	63 in. ■	72 in. ■	DESCRIPTION
		PART NO.	PART NO.	PART NO.	PART NO.	PART NO.	
		213639	213635	213641	213637	213643	Cylinder Assembly
1	1	4195-179	4195-189	4195-194	4195-195	4195-190	Shell
2	1	4130-163	4130-174	4130-200	4130-245	4130-335	Rod

■ Maximum roll handling capacity.

Common Parts

REF	QTY	PART NO.	DESCRIPTION	REF	QTY	PART NO.	DESCRIPTION
3	1	560997	Nut	12	1	564443	▲ Wiper
4	1	211295	▲ Wear Ring	13	1	209764	Rod End
5	1	564902	▲ Seal	14	1	659058	Check Valve
6	1	211292	Piston	15	1	609234	Fitting, 4
7	1	210087	▲ O-Ring	16	1	601676	Fitting, 6-6
8	1	564445	▲ O-Ring	17	1	604511	Fitting, 6-6
9	1	564446	▲ Back-Up Ring	18	1	667516	Check Valve Service Kit
10	1	564442	▲ Seal			210133	Cylinder Service Kit
11	1	209763	Retainer				

▲ Included in Service Kit 210133.

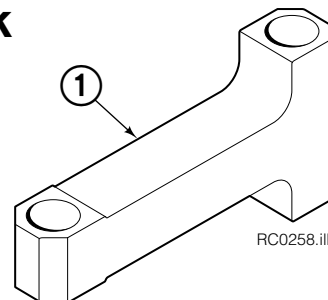
Reference: S-4195, LS-4454, S-4460.

Short Arm Link

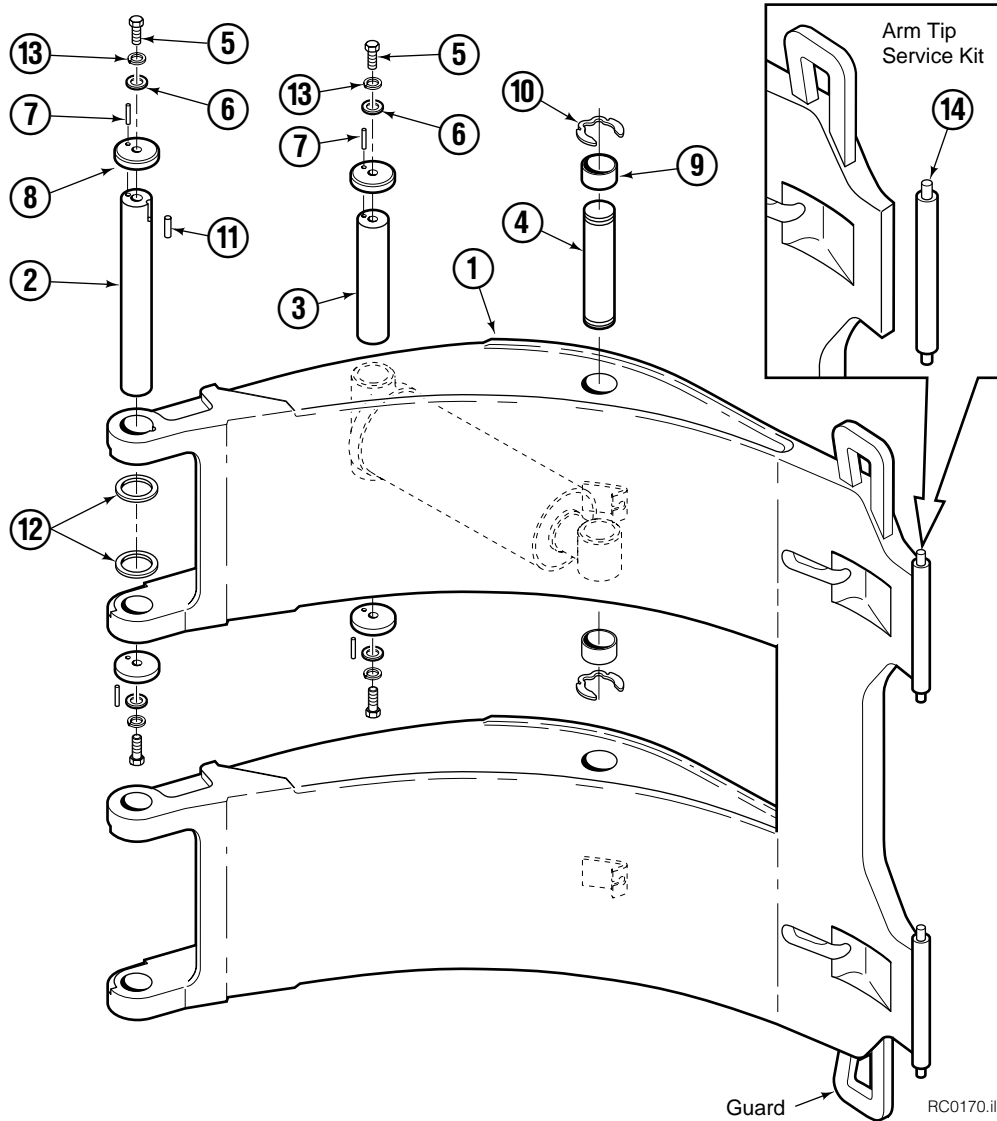
66G			
REF	QTY	PART NO.	DESCRIPTION
1	2	213954	Link – 51 in. ■
	2	213955	Link – 55 in. ■
	2	213956	Link – 60 in. ■
	2	213957	Link – 63 in. ■
	2	210145	Link – 72 in. ■

■ Maximum roll handling capacity.

Reference: S-4196, S-4203.



Long Arm



72G			
REF	QTY	60 in. ■ PART NO.	DESCRIPTION
		221782	Arm Group w/o Guard
1	1	221789	Long Arm w/o Guard

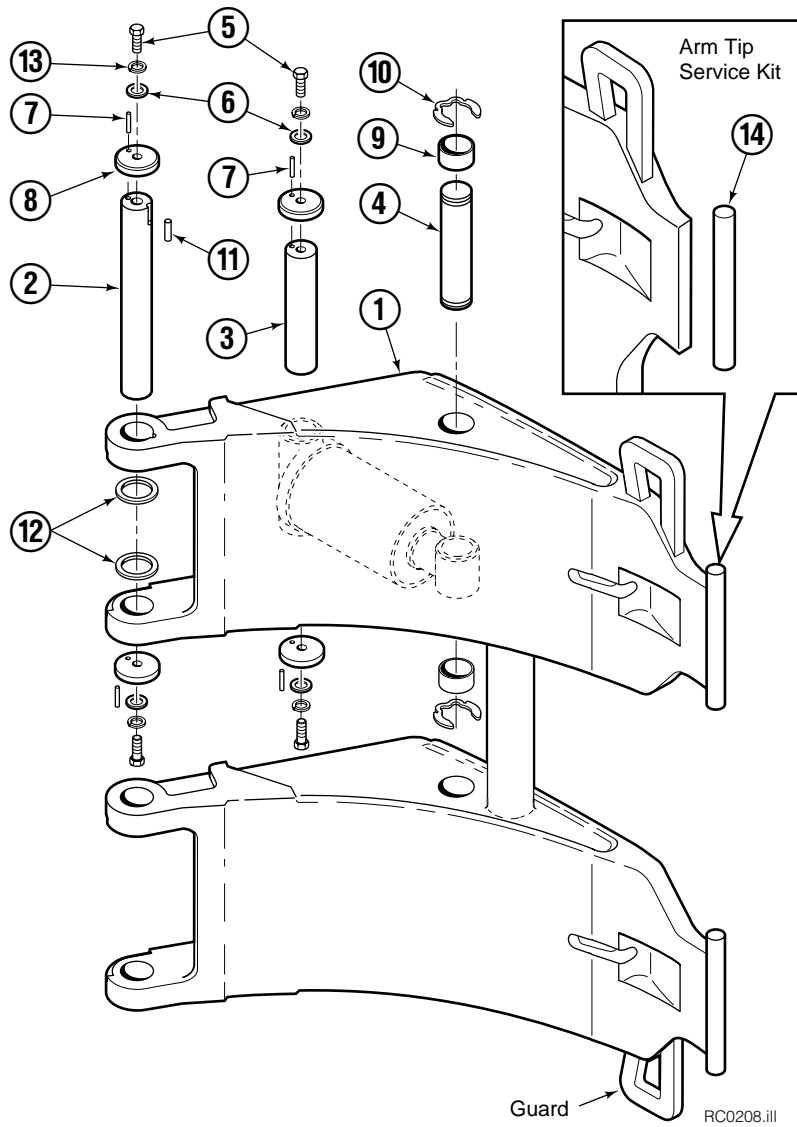
■ Maximum roll handling capacity.

Common Parts

REF	QTY	PART NO.	DESCRIPTION	REF	QTY	PART NO.	DESCRIPTION
		212933	Common Parts Group	11	2	212382	Dowel Pin, 8x16 mm
2	2	209982	Arm Pivot Pin	12	16	209941	Shim - .062 in.
3	2	209983	Cylinder Pivot Pin	13	8	681238	Lockwasher
4	2	4175-150	Cylinder Rod Pivot Pin	14	1	212902	Arm Tip Service Kit
5	8	215480	Capcrew, M10x1.5x25			212905	Bearing Service Kit (items 9, 10)
6	8	209021	Washer, M10			212906	Pin Service Kit (items 2-8, 10-13)
7	8	769009	Roll Pin			212907	Pin Service Kit (items 2, 5-8, 11, 13)
8	8	209985	Cap			212908	Pin Service Kit (items 3, 5-8)
9	4	210080	Bearing			212909	Pin Service Kit (items 4, 9, 10)
10	4	209986	Retaining Ring				

Reference: S-4172, S-4173.

Short Arm



72G			
REF	QTY	60 in. ■	DESCRIPTION
		PART NO.	
		221783	Arm Group w/o Guard
1	1	221784	Short Arm w/o Guard

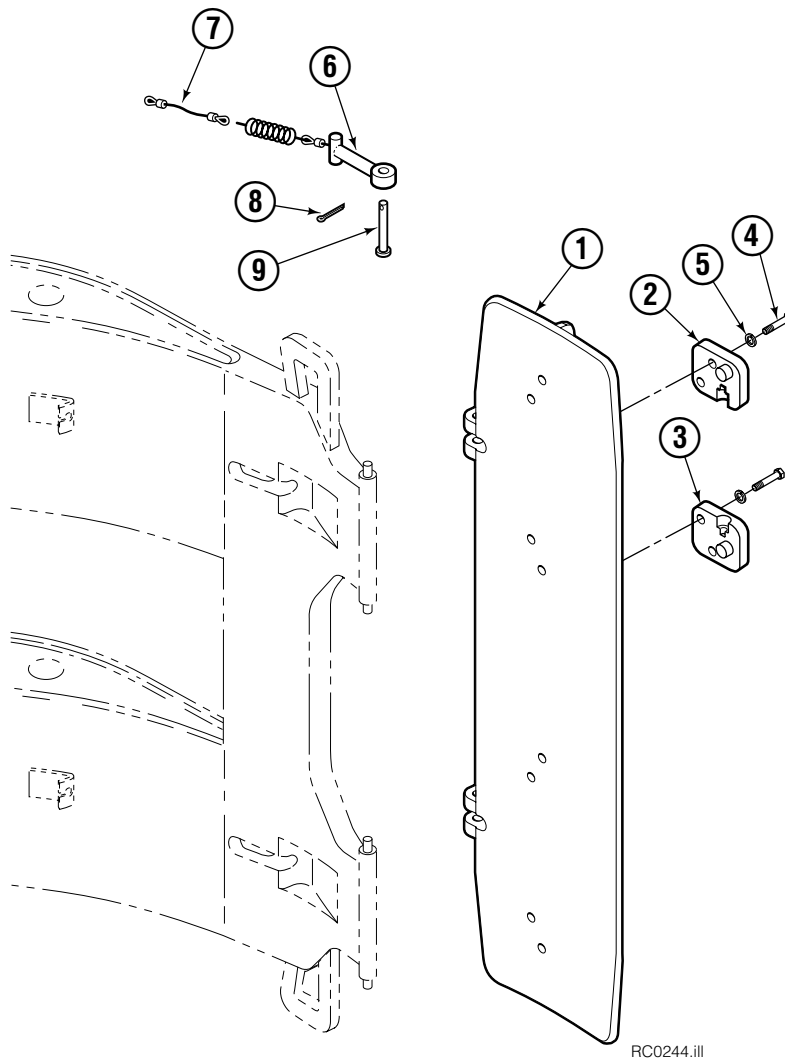
■ Maximum roll handling capacity.

Common Parts

REF	QTY	PART NO.	DESCRIPTION	REF	QTY	PART NO.	DESCRIPTION
		212933	Common Parts Group	11	2	212382	Dowel Pin, 8x16 mm
2	2	209982	Arm Pivot Pin	12	16	209941	Shim - .062 in.
3	2	209983	Cylinder Pivot Pin	13	8	681238	Lockwasher
4	2	4175-150	Cylinder Rod Pivot Pin	14	1	212902	Arm Tip Service Kit
5	8	215480	Capscrew, M10x1.5x25			212905	Bearing Service Kit (items 9, 10)
6	8	209021	Washer, M10			212906	Pin Service Kit (items 2-8, 10-13)
7	8	769009	Roll Pin			212907	Pin Service Kit (items 2, 5-8, 11, 13)
8	8	209985	Cap			212908	Pin Service Kit (items 3, 5-8)
9	4	210080	Bearing			212909	Pin Service Kit (items 4, 9, 10)
10	4	209986	Retaining Ring				

Reference: S-4172, S-4173.

Pad Group – Long Arm



RC0244.ill

60G			
REF	QTY	60 in. ■	DESCRIPTION
		PART NO.	
		209882	Standard Pad Group
1	1	209895	Pad, Standard

■ Maximum roll handling capacity.

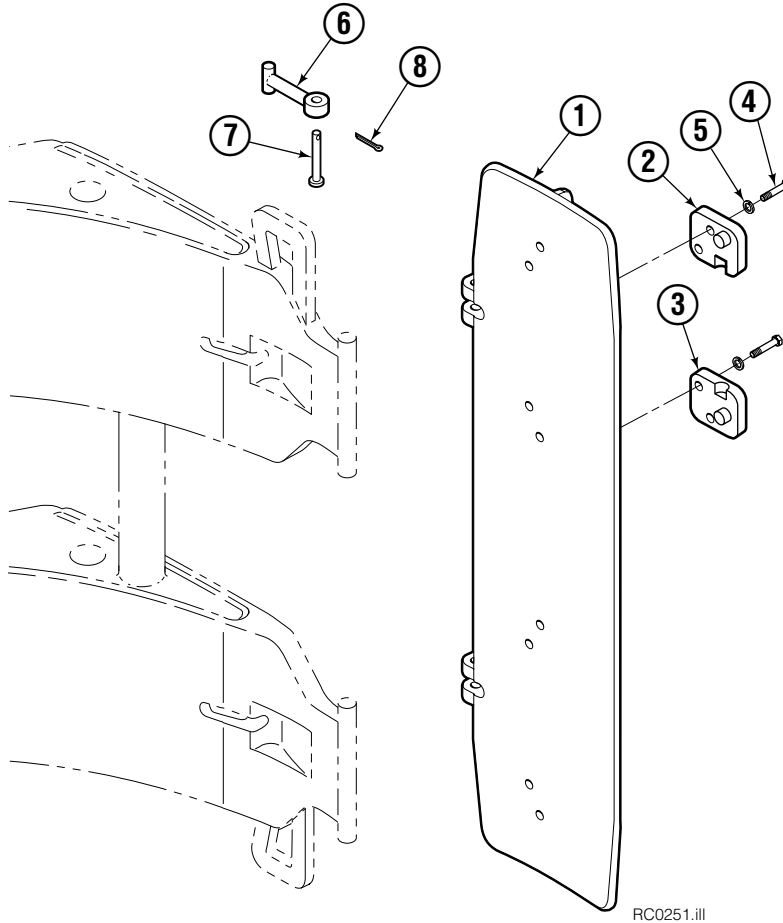
Common Parts

REF	QTY	PART NO.	DESCRIPTION	REF	QTY	PART NO.	DESCRIPTION
		212931	Common Parts Group – Long Arm	6	2	209916	Link
2	2	211997	Retainer – RH ▲	7	2	4182-110	Cable
3	2	211998	Retainer – LH ▲	8	2	674265	Clevis Pin
4	8	763021	Capscrew, M12 x 30	9	2	6525	Cotter Pin
5	8	681473	Lockwasher, M12				

▲ Driver's view, clamp in horizontal position, Short Arm up.

Reference: S-4176, S-4177.

Pad Group – Short Arm



RC0251.iii

60G			
REF	QTY	60 in. ■	DESCRIPTION
		PART NO.	
		209883	Standard Pad Group
1	1	209895	Pad, Standard

■ Maximum roll handling capacity.

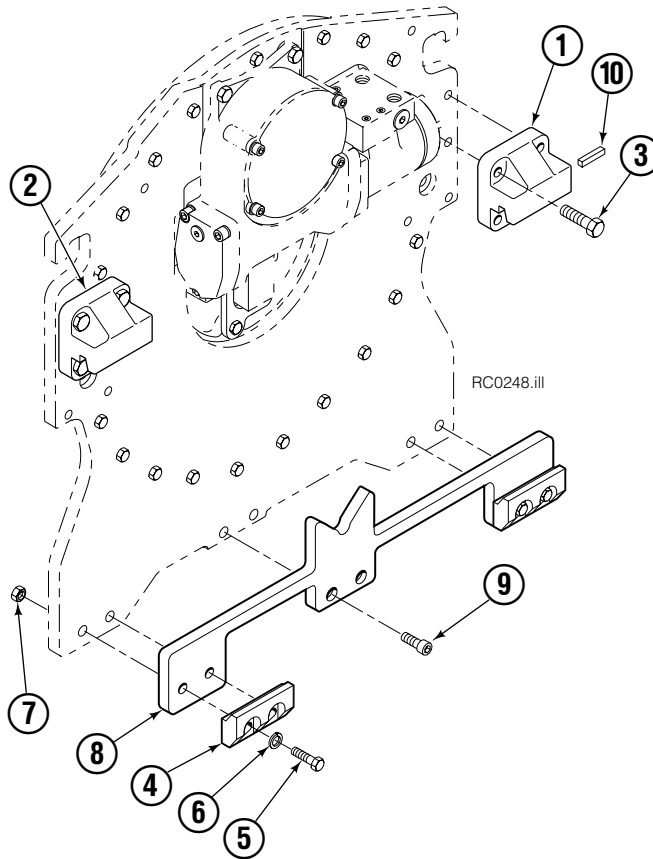
Common Parts

REF	QTY	PART NO.	DESCRIPTION	REF	QTY	PART NO.	DESCRIPTION
		212935	Common Parts Group – Short Arm	5	8	681473	Lockwasher, M12
2	2	209904	Retainer – RH ▲	6	2	209909	Link
3	2	209905	Retainer – LH ▲	7	2	674265	Clevis Pin
4	8	763021	Cap screw, M12 x 30	8	2	6525	Cotter Pin

▲ Driver's view, clamp in horizontal position, Short Arm up.

Reference: S-4176, S-4177.

Mounting Group



Class III, 2°

REF	QTY	PART NO.	DESCRIPTION
		209926	Mounting Group
1	1	209932	Upper Hook – RH
2	1	209933	Upper Hook – LH
3	4	779010	Capscrew, M16 x 35
4	2	675969	Lower Hook
5	4	678997	Capscrew, M16 x 70
6	4	667225	Washer, .625 in. I.D.
7	4	781534	Nut, M16
8	1	209936	Spacer
9	2	213771	Capscrew, M12 x 25
10	1	669344	Stop Kit

Do you have questions you need answered right now? Call your nearest Cascade Parts Department. Visit us online at www.cascorp.com

Cascade Corporation
2501 Sheridan Avenue
Springfield, OH 45505
Tel: 888-CASCADE (227-2233)
FAX: 888-329-0234

Cascade Canada Inc.
5570 Timberlea Blvd.
Mississauga, Ontario
Canada L4W-4M6
Tel: 905-629-7777
FAX: 905-629-7785

Cascade GmbH
D-41199 Monchengladbach
Klosterhofweg 52
Germany
Tel: 49-216-668230
FAX: 49-216-6682323

Cascade Finland
Albert Petreliuksenkatu 3
01370 Vantaa
Finland
Tel: 358-9-836-1925
FAX: 358-9-836-1935

**Cascade N.V.
European Headquarters**
P.O. Box 3009
1300 El Almere
Damsluisweg 56
1332 ED Almere
The Netherlands
Tel: 31-36-5492911
FAX: 31-36-5492964

**Cascade N.V.
Benelux Sales and Service**
P.O. Box 3009
1300 El Almere
Damsluisweg 56
1332 ED Almere
The Netherlands
Tel: 31-36-5492950
FAX: 31-36-5492974

Cascade (UK) Ltd.
15, Orgreave Crescent
Dore House Industrial Estate
Handsworth
Sheffield S13 9NQ
England
Tel: 742-697524
FAX: 742-695121

Cascade Scandinavia AB
Box 124
Hammarvägen 10
567 23 Vaggeryd
Sweden
Tel: 42-0-393-36950
FAX: 46-0-393-36959

Cascade Norway
Østerliveien 37A
1153 Oslo
Norway
Tel: 47-22-743160
FAX: 47-22-743157

Cascade France S.A.R.L.
1D Rue De Charaintru
BP 18, 91360 Epinay-Sur-Orge
Morangis Cedex, France
Tel: 33-1- 64547500
FAX: 33-1-64547501

Cascade Hispania S.A.
Carrer 5 Sector C
Zona Franca Duanera
Poligono de la Zon Franca
08040 Barcelona, Spain
Office No. 256
Tel: 93-264-07-30
FAX: 93-264-07-31

Cascade Japan Ltd.
5-5-41,
Torikai Kami
Settsu, Osaka
Japan, 566
Tel: 81-726-53-3490
FAX: 81-726-53-3497

Cascade Korea
108B, Namdong Ind Complex
658-3 Gojan-Dong
Namdong-Gu
Inchon, 405-310 Korea
Tel: 82-32-821-2051
FAX: 82-32-821-2055

Cascade Australia
1445 Ipswich Road
Rocklea, QLD 4106
Australia
Tel: 1-800227-223
FAX: (07) 3373-7333

Cascade New Zealand
15 Ra Ora Drive
East Tamaki, Auckland
New Zealand
Tel: 9-273-9136
FAX: 9-273-9137

Cascade (Africa) Pty. Ltd.
P.O. Box 625, Isando 1600
60A Steel Road
Sparton, Kempton Park
South Africa
Tel: 27-11-975-9240
FAX: 27-11-394-1147

Cascade-Xiamen
No. 668 Yangguang Rd.
Xinyang Industrial Zone
Haicang, Xiamen City
Fujian Province
P.R. China 361026
Tel: 86-592-651-2500
FAX: 86-592-651-2571

**Cascade (Singapore)
Trading Co.**
Four Seasons Park
Autumn Block - Apt. 1802
12 Cuscaden Walk
Singapore
Tel: 65-834-1935
FAX: 65-834-1936

