



Parts Manual

Model _____ **Fork Positioner**

Catalog Number _____ **55K-FPS-A087 R2**

cascade®
corporation

For Technical Assistance call: 800-227-2233, Fax: 888-329-8207

To Order Parts call: 888-227-2233, Fax: 888-329-0234

OR

Write: Cascade Corporation, P.O. Box 20187, Portland, OR 97220

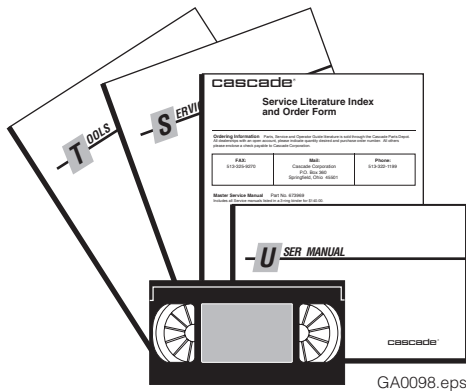
Internet: www.cascorp.com

Recommended Spare Parts

55K-Fork Positioner/Sideshifter				
PART NUMBER	DESCRIPTION	UNITS SERVICED		
		1-5	6-19	20-50
FORK POSITIONER				
6055389	Cylinder Internal Service Kit	0	4	8
6055390	Composite Bearing Service Kit	1	2	4
6055391	Bronze Bearing Service Kit	1	2	4
6039245	Mounting Shims	4	6	8
SIDESHIFTER				
■	Upper Bearing	8	16	32
■	Lower Bearing	6	12	24
■	Lower Hook	0	2	4
■	Capscrew	0	4	8
■	Nut	0	4	8
667225	Washer	0	4	8
■	Cylinder Assembly	0	0	1
219868	Cylinder Rod Service Kit	1	2	4

■ See specific parts page.

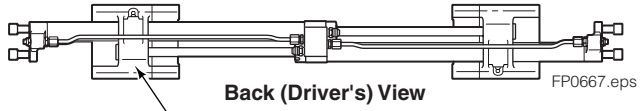
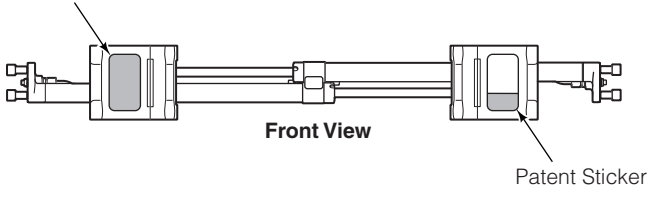
Publications



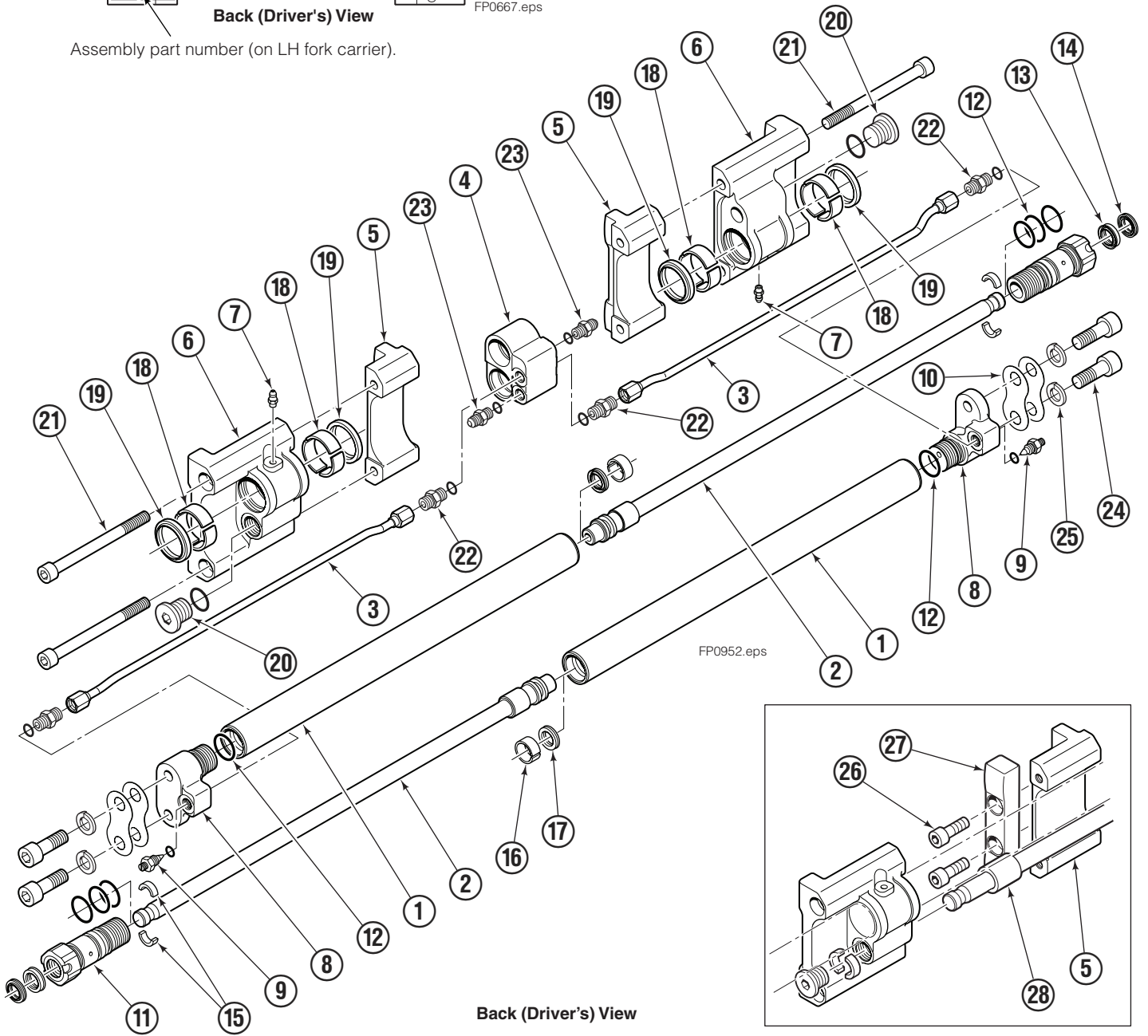
K-Series	
PART NO.	DESCRIPTION
6045671	User Manual (Operator's Guide, Installation, Periodic Maintenance, Parts)
6053927	Service Manual
679929	Tool Catalog
673964	Literature Index Order Form

Fork Positioner Assembly

Sticker showing operating pressure,
phone numbers for service & parts.



Assembly part number (on LH fork carrier).



Fork Positioner Assembly

Items that vary by width

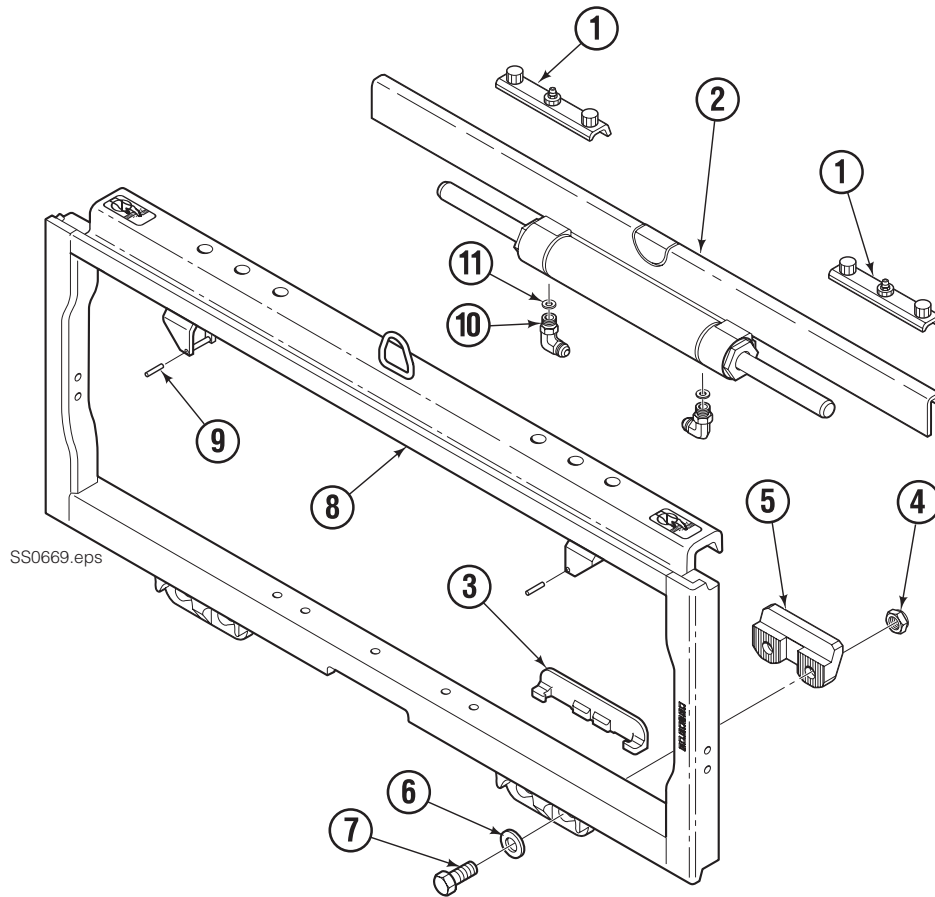
55K			
ASSEMBLY PART NO.	REF. NO. 1 CYLINDER SHELL QTY 2	REF. NO. 2 CYLINDER ROD QTY 2	REF. NO. 3 TUBE QTY 2
6054521	6054522 ★	6054523 ★	6047381

REF	QTY	PART NO.	DESCRIPTION
		6045407	Common Parts Group ◆
4	1	6043391	Manifold
5	2	6042443	Fork Carrier, Inner, 80/100 mm Fork
	2	6052301	Fork Carrier, Inner, 80/100/122 mm Fork ❖ ■
6	2	6042449	Fork Carrier, Outer
7	2	424115	Grease Fitting
8	2	6052709	Cylinder Head End
9	2	6042658	Restrictor Fitting
10	4	6039245	Shim
11	2	6039028	Cylinder Retainer
	2	6055787	Cylinder Retainer w/Seals (Items 12-14)
12	8	666183	O-Ring, Retainer OD ✘
13	2	6039179	Rod Seal, Retainer ✘
14	2	6039180	Rod Wiper, Retainer ✘
15	4	6042830	Half-Ring Keeper
16	2	6039172	Piston Wear Ring ✘
17	2	6047577	Piston Seal ✘
18	12	6045405	Bearing, Bronze ✓
19	4	6043341	Shell Wiper ✓
20	2	6043316	Rod Retainer Plug
21	4	768824	Capscrew, M10 x 120
22	4	6042689	Fitting, M10 to 6 mm EO-2
23	2	6043332	Fitting, M10 to No.4 JIC ●
	2	6053537	Fitting, M10 to No. 4 ORFS ▼
24	4	769572	Capscrew, M12 x 35 ■
25	4	684660	Lockwasher, M12 ■
26	4	767615	Capscrew, M12 x 25
27	2	6052315	Spacer Bar
28	2	6054755	Rod Spacer ❖

- ◆ Includes items 4-22.
- ★ If cylinder shell or rod needs replacing due to bending damage, order complete Fork Positioner Assembly.
- ❖ Included in Retrofit Kit 6054753, converts 3 & 4 in. (80 & 100 mm) fork carrier to 5 in. (122 mm) fork carrier.
- Used with items 26 and 27 to fit 4 in. (100 mm) forks.
- ✘ Included in Cylinder Service Kit 6055389.
- ✓ Included in Bronze Bearing Service Kit 6055391.
- Included in Fitting Group 6045440.
- ▼ Included in Fitting Group 6053538.
- Included in Mounting Kit 6045442.

Reference: SK-8117, SK-8277.

Sideshift Assembly

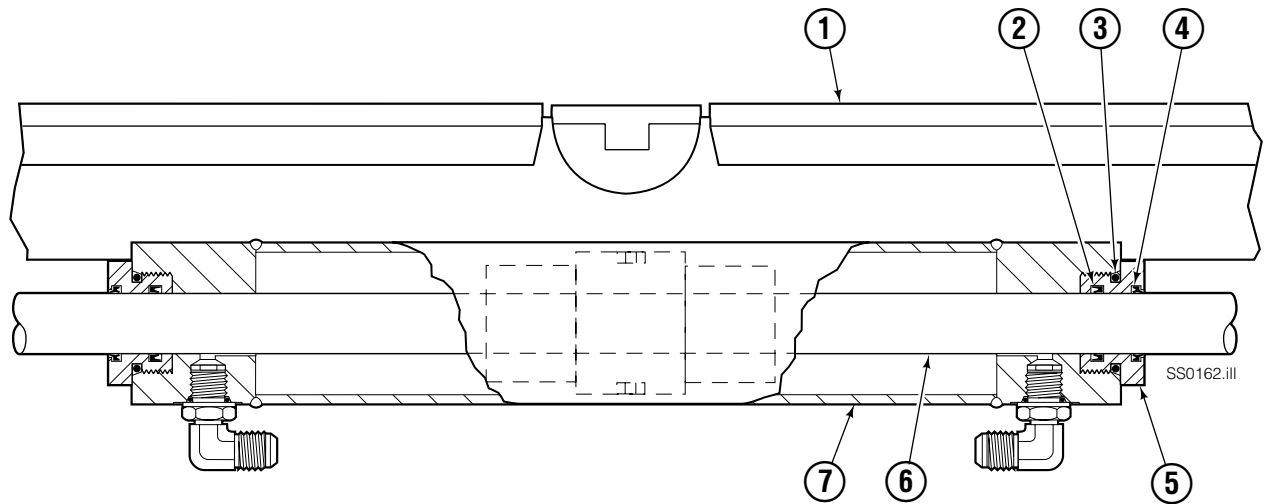


55F							
REF	QTY	PART NO.	DESCRIPTION	REF	QTY	PART NO.	DESCRIPTION
1	2	228782	Upper Bearing	7	4	639121	◆ Capscrew. 5/8 x 1.50 (or)
2	1	6025684	Cylinder ▲		4	752903	◆ Capscrew, M16 x 45
3	2	6000719	Lower Bearing	8	1	6054957	Frame ●
4	4	553857	◆ Nut, 5/8 (or)	9	2	7890	Roll Pin
	4	781534	◆ Nut, M16	10	2	601676	■ Fitting, 6-6
5	2	204186	◆ Lower Hook	11	2	221733	▼ Restrictor Washer
6	4	667225	◆ Washer				

▲ See Cylinder page for parts breakdown.
 ◆ Included in Lower Hook Group 204182.
 Reference: Common Parts Group 219614,
 S-22752 - Type 1.

● If the Frame needs replacing, your best value is to order the complete Sideshift Assembly.
 ■ Included in Fitting Group 204179.
 ▼ Included in Restrictor Group 221732.

Cylinder



55F			
REF	QTY	PART NO.	DESCRIPTION
1	1	6025684	Cylinder Assembly
2	2	562132	● Rod Seal
3	2	415866	● O-Ring, 70 Duro
4	2	562131	● Rod Wiper Seal
5	2	218324	Retainer/Seal Carrier
6	-	■	Rod/Piston Assembly
7	-	■	Cylinder Shell
		219868	Rod Seal Service Kit

● Included in Service Kit 219868.

■ Not serviceable, order new Cylinder Assembly.

Reference: S-21006.

Do you have questions you need answered right now?

Call your nearest Cascade Parts Department.

Visit us online at www.cascorp.com

AMERICAS

**Cascade Corporation
Parts Sales**

2501 Sheridan Ave.
Springfield, OH 45505
Tel: 888-CASCADE (227-2233)
Fax: 888-329-0234

Cascade Canada Inc.

5570 Timberlea Blvd.
Mississauga, Ontario
Canada L4W-4M6
Tel: 905-629-7777
Fax: 905-629-7785

Cascade do Brasil

Rua João Guerra, 134
Macuco, Santos - SP
Brasil 11015-130
Tel: 55-13-2105-8800
Fax: 55-13-2105-8899

EUROPE-AFRICA

**Cascade Italia S.R.L.
European Headquarters**

Via Dell'Artigianato 1
37030 Vago di Lavagno (VR)
Italy
Tel: 39-045-8989111
Fax: 39-045-8989160

Cascade (Africa) Pty. Ltd.

PO Box 625, Isando 1600
60A Steel Road
Sparton, Kempton Park
South Africa
Tel: 27-11-975-9240
Fax: 27-11-394-1147

ASIA-PACIFIC

Cascade Japan Ltd.

2-23, 2-Chome,
Kukuchi Nishimachi
Amagasaki, Hyogo
Japan, 661-0978
Tel: 81-6-6420-9771
Fax: 81-6-6420-9777

Cascade Korea

121B 9L Namdong Ind.
Complex, 691-8 Gojan-Dong
Namdong-Ku
Inchon, Korea
Tel: +82-32-821-2051
Fax: +82-32-821-2055

Cascade-Xiamen

No. 668 Yangguang Rd.
Xinyang Industrial Zone
Haicang, Xiamen City
Fujian Province
P.R. China 361026
Tel: 86-592-651-2500
Fax: 86-592-651-2571

**Cascade India Material
Handling Private Limited**

No 34, Global Trade Centre
1/1 Rambaugh Colony
Lal Bahadur Shastri Road,
Navi Peth, Pune 411 030
(Maharashtra) India
Phone: +91 020 2432 5490
Fax: +91 020 2433 0881

Cascade Australia Pty. Ltd.

1445 Ipswich Road
Rocklea, QLD 4107
Australia
Tel: 1-800-227-223
Fax: +61 7 3373-7333

Cascade New Zealand

15 Ra Ora Drive
East Tamaki, Auckland
New Zealand
Tel: +64-9-273-9136
Fax: +64-9-273-9137

**Sunstream Industries
Pte. Ltd.**

18 Tuas South Street 5
Singapore 637796
Tel: +65-6795-7555
Fax: +65-6863-1368

