



Parts Manual

Model _____ Paper Roll Clamp

Serial Number _____ 60G-RCP-B003R0

cascade[®]
corporation

For Technical Assistance call: 800-227-2233, Fax: 888-329-8207

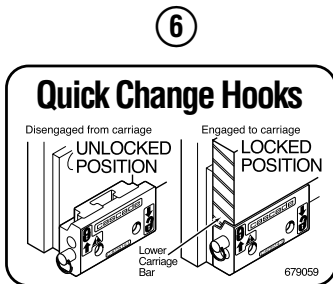
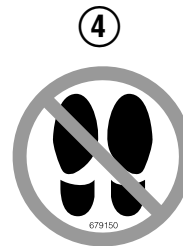
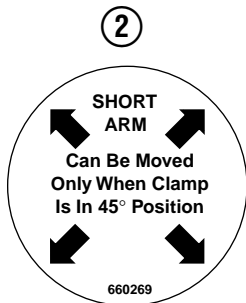
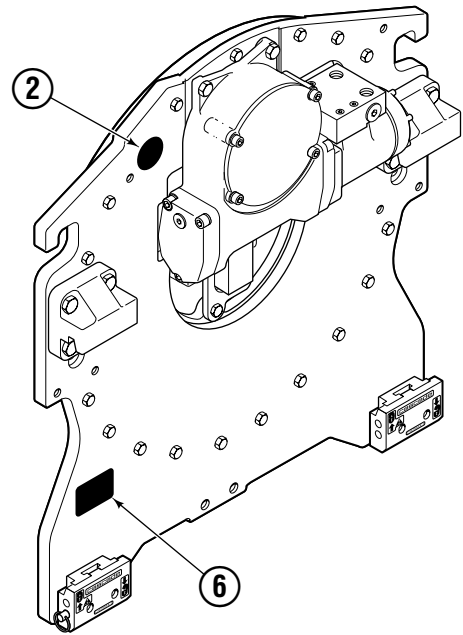
To Order Parts call: 888-227-2233, Fax: 888-329-0234

OR

Write: Cascade Corporation, P.O. Box 20187, Portland, OR 97220

Internet: www.cascorp.com

Decals



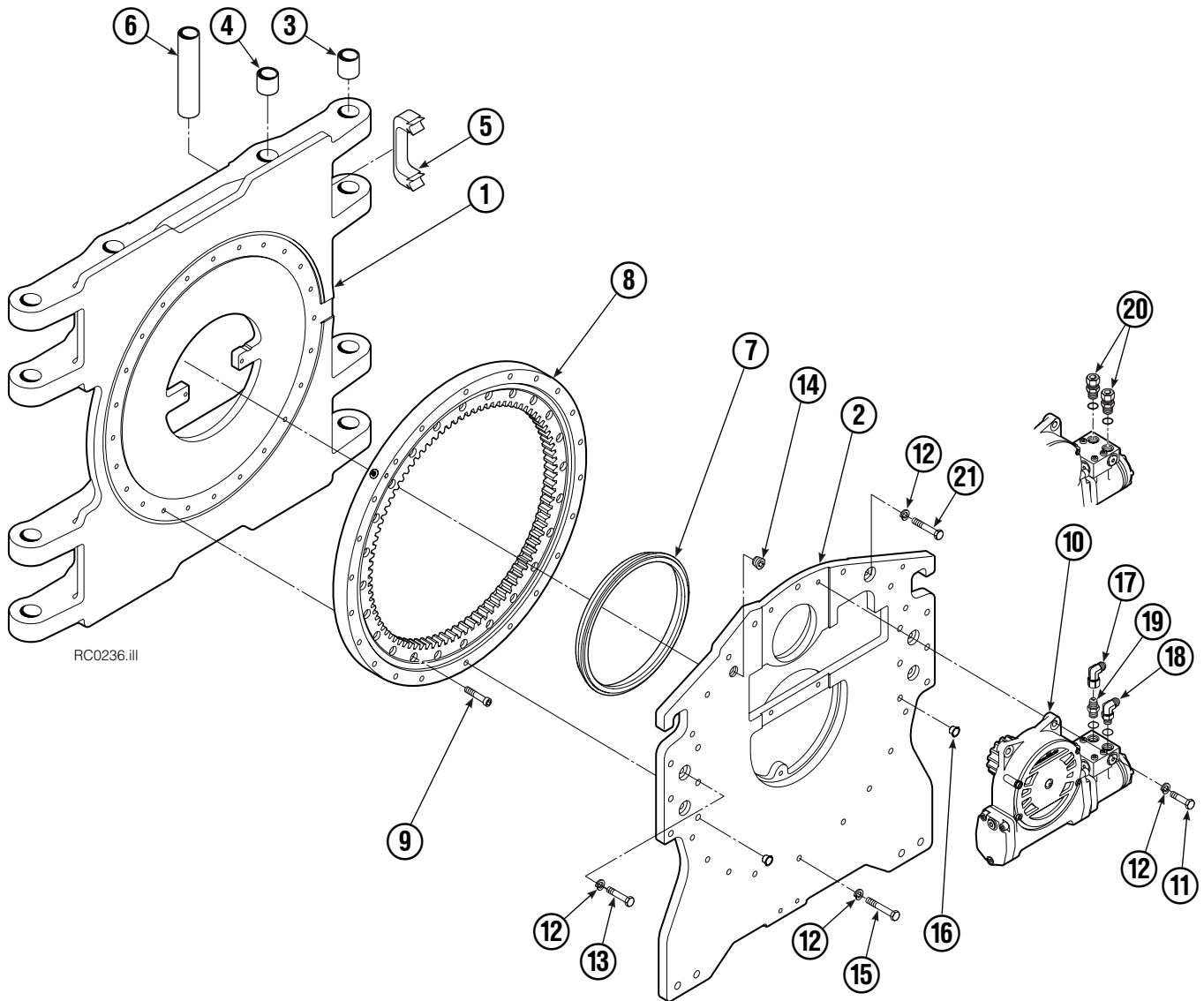
| 60G | | | | |
|-----|-----|----------|-----------------------------------|--|
| REF | QTY | PART NO. | DESCRIPTION | |
| 1 | 6 | 665595 | No Hand Hold Decal | |
| 2 | 1 | 660269 | Short Arm Rotation Position Decal | |
| 3 | 4 | 656038 | Caution Decal | |
| 4 | 4 | 679150 | No Step Decal | |
| 5 | 4 | 665677 | Trapped Pressure Decal | |
| 6 | 1 | 679059 | Quick-Change Hook Decal | |

Publications



| 60G | |
|----------|---|
| PART NO. | DESCRIPTION |
| 213550 | Parts Manual |
| 213744 | Service Manual |
| 210135 | Operator's Guide |
| 212420 | Installation Instructions - Fixed Frame |
| 677555 | Driver Training Video - VHS |
| 678363 | Troubleshooting Video - VHS |
| 680664 | Servicing Cascade Cylinders - VHS |
| 679929 | Tool Catalog |
| 673964 | Literature Index Order Form |

Frame Group

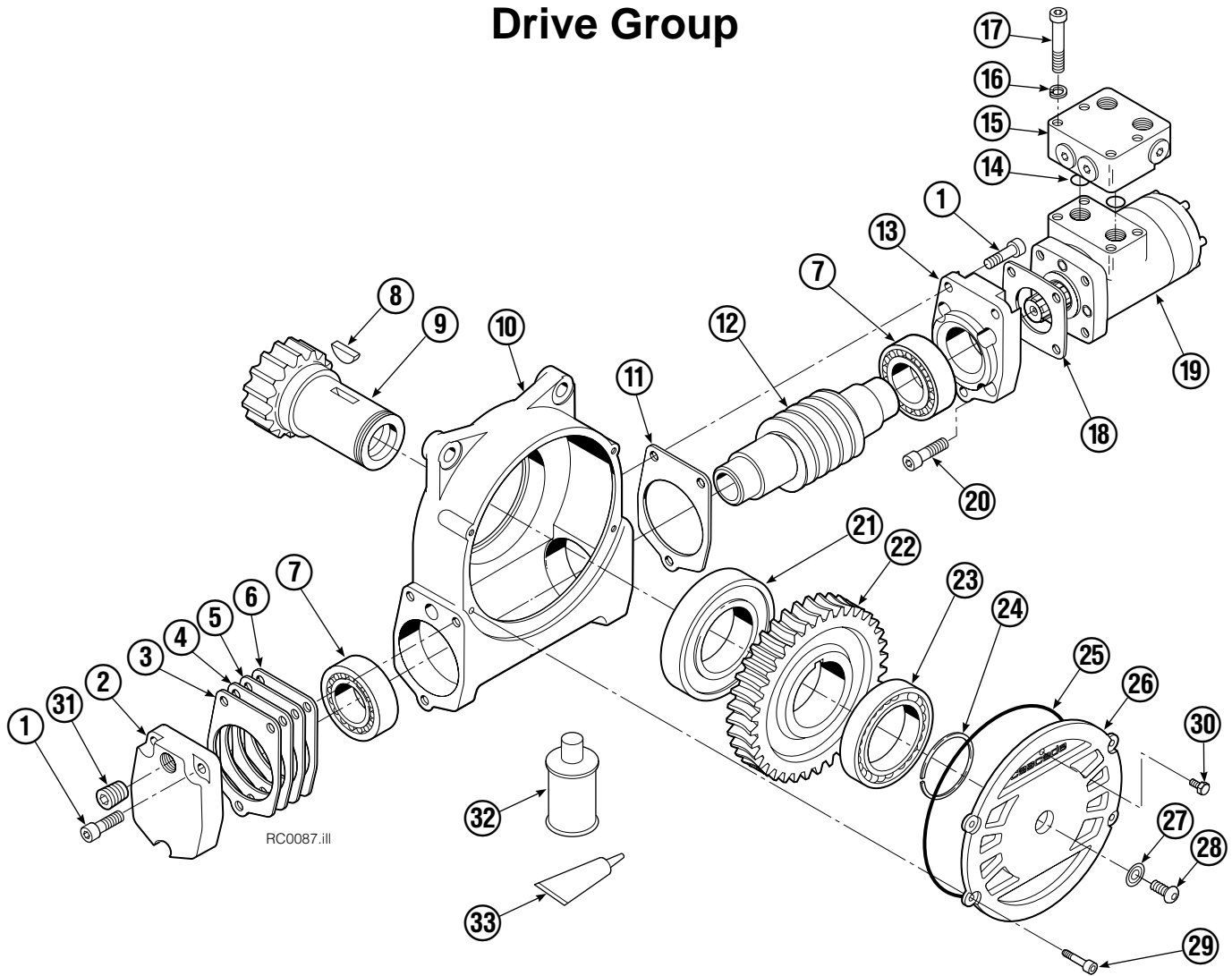


| 60G | | | | | | | |
|-----|-----|----------|---------------------------------|-----|-----|----------|-------------------------------|
| REF | QTY | PART NO. | DESCRIPTION | REF | QTY | PART NO. | DESCRIPTION |
| | | 213805 | Frame Group w/o Stop – 60 in. ▲ | 11 | 4 | 211689 | Capscrew, M12 x 30 |
| 1 | 1 | 213806 | Frame w/o Stop – 60 in. | 12 | 26 | 683822 | Lockwasher, M12 |
| 2 | 1 | 209940 | Baseplate w/o Stop | 13 | 4 | 206174 | Capscrew, M12 x 45 |
| 3 | 8 | 211718 | Bearing | 14 | 1 | 6605 | Fitting, 3/4 in. |
| 4 | 8 | 211717 | Bearing | 15 | 18 | 213633 | Capscrew, M12 x 55 |
| 5 | 4 | 211712 | Hose Guard | 16 | 2 | 631428 | Plug |
| 6 | 4 | 209987 | Spacer | 17 | 1 | 605761 | Fitting, 8-8 SAE |
| 7 | 1 | 209944 | Seal | 18 | 1 | 601250 | Fitting, 8-8 SAE |
| 8 | 1 | 213761 | Bearing Assembly | 19 | 1 | 601377 | Fitting, 8-8 SAE |
| 9 | 24 | 767596 | Capscrew, M12 x 40 | 20 | 2 | 765492 | Fitting, 8 SAE – M10 L-Series |
| 10 | 1 | 212308 | Drive Group – 2.2 c.i. Motor ● | | 2 | 765493 | Fitting, 8 SAE – M12 L-Series |
| 10 | 1 | 795491 | Drive Group – 2.8 c.i. Motor ● | | 2 | 756920 | Fitting, 8 SAE – M12 S-Series |

▲ Maximum roll handling capacity.
 ● See Drive Group page for parts breakdown.
 Reference: S-4165, S-4506, S-4189, S-4159.

Baseplate & Rotator Group 213763.
 Fitting Group 212367.
 Common Parts 211975, 213762.

Drive Group

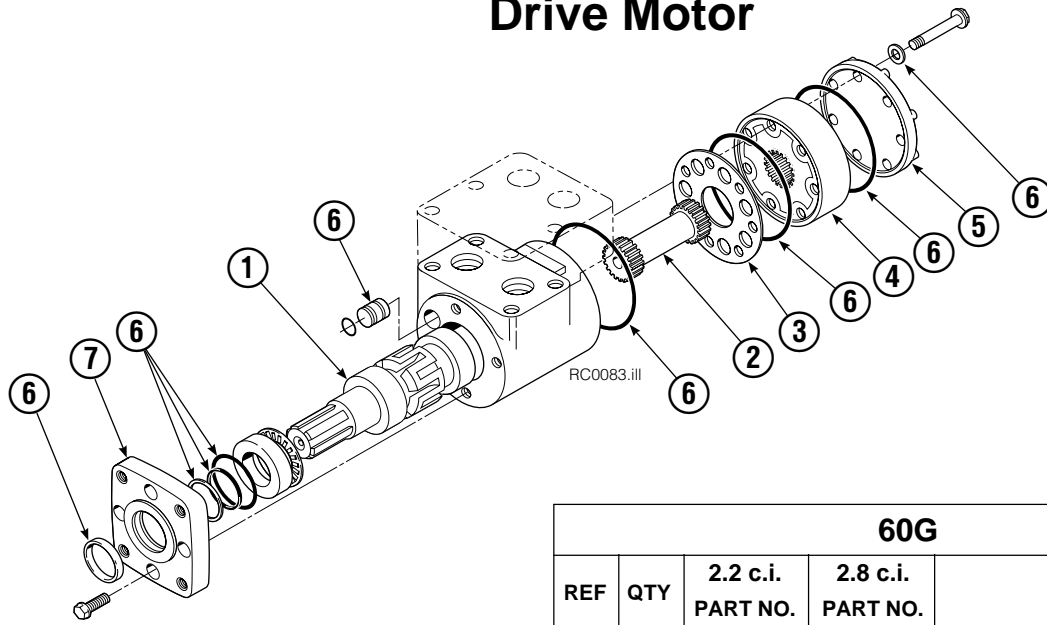


| 60G | | | | | | | |
|-----|-----|----------|---------------------------------|-----|-----|----------|---|
| REF | QTY | PART NO. | DESCRIPTION | REF | QTY | PART NO. | DESCRIPTION |
| | | 212308 | Drive Group with 2.2 c.i. Motor | 19 | 1 | 670575 | Gasket |
| | | 795491 | Drive Group with 2.8 c.i. Motor | 20 | 4 | 4468 | Capscrew, 3/8 NC x .75 GR8 |
| 1 | 6 | 768826 | Capscrew, M12 x 25 | 21 | 1 | 670580 | Bearing |
| 2 | 1 | 795258 | Cover | 22 | 1 | 675609 | Worm Gear |
| 3 | ● | 674513 | Shim - .005" (blue) | 23 | 1 | 670581 | Bearing |
| 4 | ● | 670574 | Shim - .010" (brown) | 24 | 1 | 7214 | Snap Ring |
| 5 | ● | 671757 | Shim - .015" (pink) | 25 | 1 | 204970 | Gasket |
| 6 | ● | 671758 | Shim - .020" (yellow) | 26 | 1 | 775552 | Cover |
| 7 | 2 | 670579 | Bearing | 27 | 1 | 783609 | Seal |
| 8 | 1 | 670582 | Key | 28 | 1 | 783608 | Capscrew, M12 x 16 |
| 9 | 1 | 670506 | Pinion | 29 | 4 | 775639 | Capscrew, M8 x 20 |
| 10 | 1 | 775551 | Housing | 30 | 1 | 644010 | Relief Fitting |
| 11 | 1 | 686465 | Gasket | 31 | 1 | 602580 | Fitting, 8 |
| 12 | 1 | 675608 | Worm | 32 | 1 | 656300 | Gear Box Lube - 48 oz. |
| 13 | 1 | 775553 | Adapter | 33 | 1 | 668184 | Sealant |
| 14 | 2 | 2705 | O-Ring | | | 670578 | Shim Service Kit (items 3-6,11,25,33) |
| 15 | 1 | 670549 | Check Valve | | | 675637 | Bearing Service Kit (items 21 & 33) |
| 16 | 4 | 6444 | Lockwasher | | | 675638 | Bearing Service Kit (items 3-7,11,25) |
| 17 | 4 | 607059 | Capscrew, 5/16 NC x 1.75 GR8 | | | 212919 | Motor Kit-2.2 (items 11,14,18,19,20,33) |
| 18 | 1 | 210139 | Drive Motor - 2.2 c.i. ▲ | | | 206394 | Motor Kit-2.8 (items 11,14,18,19,20,33) |
| 18 | 1 | 206392 | Drive Motor - 2.8 c.i. ▲ | | | | |

● Quantity as required.

▲ See Drive Motor page for parts breakdown.

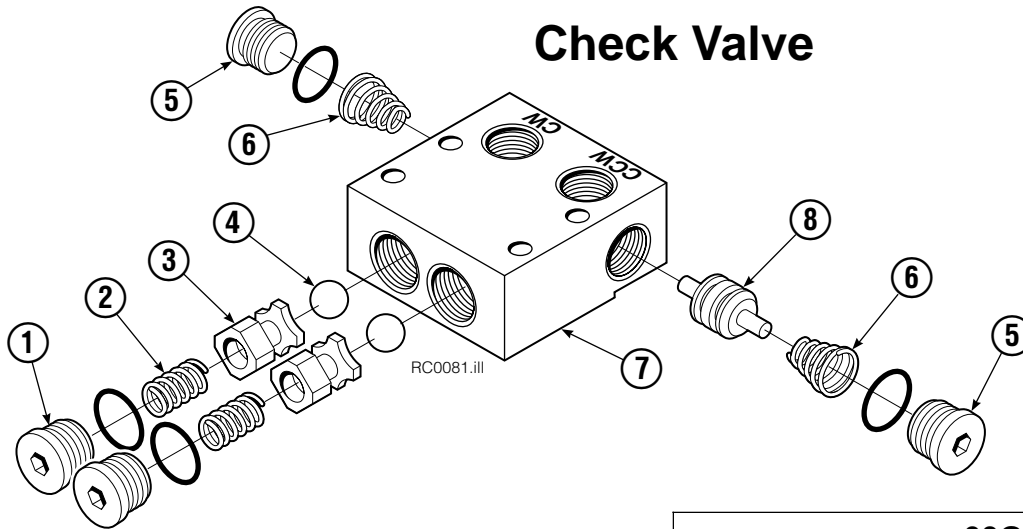
Drive Motor



| 60G | | | | |
|-----|-----|----------------------|----------------------|---------------------|
| REF | QTY | 2.2 c.i. PART NO. | 2.8 c.i. PART NO. | DESCRIPTION |
| | | 210139 | 206392 | Drive Motor |
| 1 | 1 | 675478 | 675478 | Shaft |
| 2 | 1 | 675477 | 675477 | Drive Link |
| 3 | 1 | 211528 | 675479 | Spacer Plate |
| 4 | 1 | 210137 | 675480 | Geroler/Gerotor Set |
| 5 | 1 | 211527 | 675482 | End Cap |
| 6 | 1 | 206405 | 206405 | Service Kit ● |
| 7 | 1 | 685090 | 685090 | Flange |

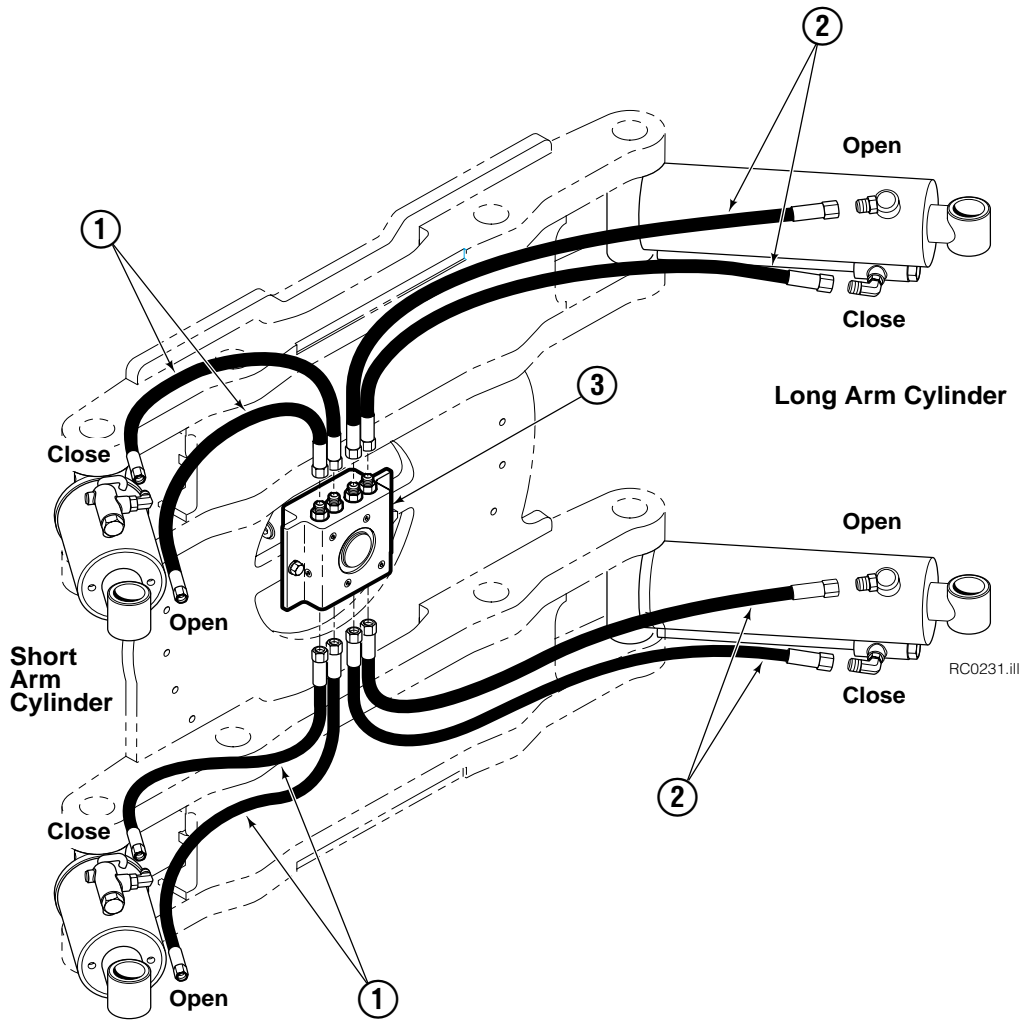
Cascade provides service replacement parts for the listed parts only. Due to cost, if others parts need replacement, the complete Drive Motor should be replaced.

Check Valve



| 60G | | | |
|-----|-----|----------|----------------------|
| REF | QTY | PART NO. | DESCRIPTION |
| | | 670549 | Check Valve Assembly |
| 1 | 2 | 609453 | Fitting, 10 |
| 2 | 2 | 670552 | Spring |
| 3 | 2 | 670551 | Guide |
| 4 | 2 | 7020 | Ball |
| 5 | 2 | 602580 | Fitting, 8 |
| 6 | 2 | 673989 | Spring |
| 7 | 1 | 670550 | Body |
| 8 | 1 | 670553 | Spool |

Hosing Group Positioned Short Arm



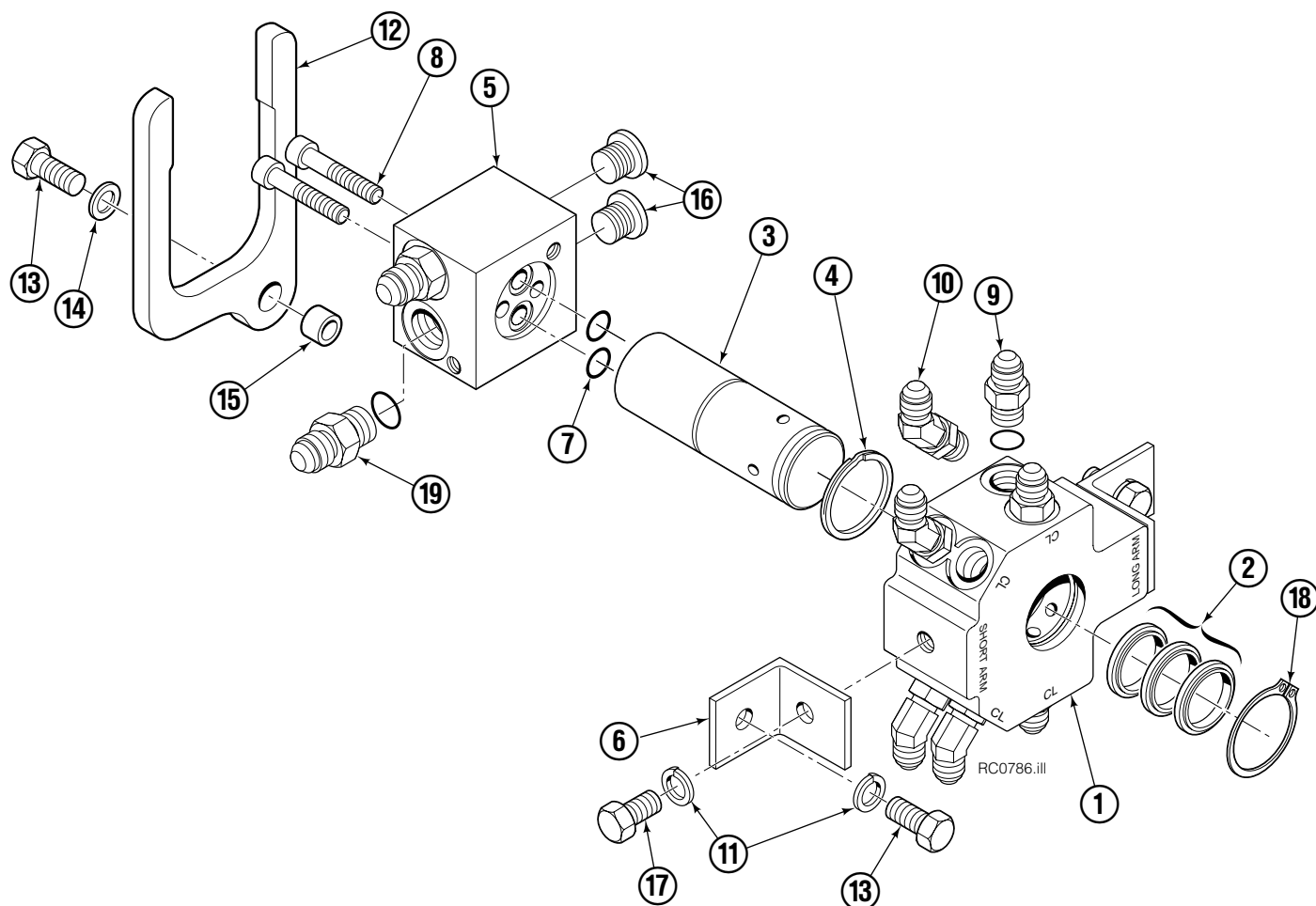
| 60G | | | |
|-----|-----|----------------------|----------------------|
| REF | QTY | 60 in. ■ PART NO. | DESCRIPTION |
| | | 210014 | Hose Group |
| 1 | 4 | 210022 | Hose |
| 2 | 4 | 210023 | Hose |
| 3 | 1 | ▲ | Revolving Connection |

■ Maximum roll handling capacity.

▲ See Revolving Connection page for part number.

Reference: S-4192, S-4193.

Revolving Connection



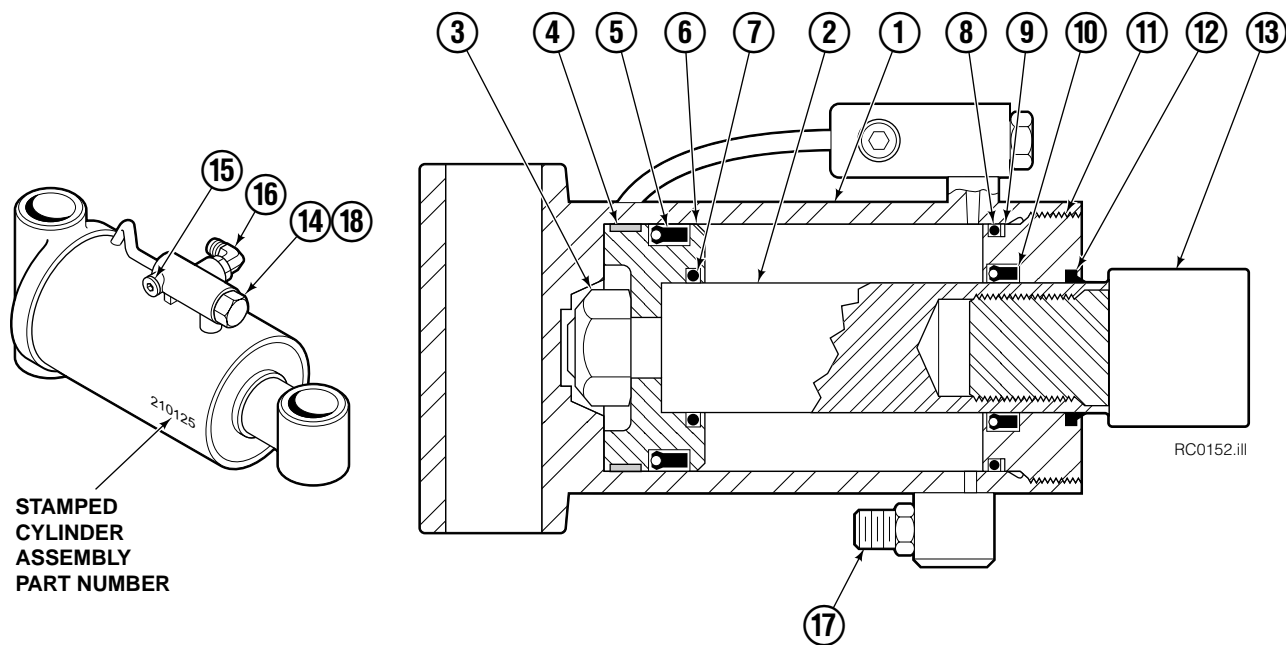
| 60G | | | |
|-----|-----|----------|----------------------|
| REF | QTY | PART NO. | DESCRIPTION |
| | | 222188 | Revolving Connection |
| 1 | 1 | 222192 | Valve Body |
| 2 | 3 | 214649 | ◆ Seal |
| 3 | 1 | 222191 | Shaft |
| 4 | 1 | 7341 | ◆ Retaining Ring |
| 5 | 1 | 222190 | End Block |
| 6 | 2 | 222189 | Bracket |
| 7 | 2 | 564448 | ◆ O-Ring |
| 8 | 2 | 766123 | ◆ Capscrew, M8 x 50 |
| 9 | 4 | 604511 | Fitting, 6-6 |
| 10 | 4 | 611302 | Fitting, 6-6 |
| 11 | 4 | 681238 | Lockwasher, M10 |
| 12 | 1 | 211909 | End Block Retainer |
| 13 | 3 | 215480 | Capscrew, M10 x 25 |
| 14 | 1 | 209021 | Washer, M10 |
| 15 | 1 | 212725 | Spacer |
| 16 | 2 | 602580 | Fitting, 8 |
| 17 | 2 | 212632 | Capscrew, M10 x 20 |
| 18 | 1 | 3138 | ◆ Retaining Ring |
| 19 | 2 | 601377 | ● Fitting, 8-8 |

◆ Included in Service Kit 222223.

● Included in Fitting Group 212367.

Reference: SK-6113.

Cylinders



| 60G | | | | |
|-----|-----|-----------|----------|-------------------|
| REF | QTY | Short Arm | Long Arm | DESCRIPTION |
| | | 60 in. ■ | 60 in. ■ | |
| | | PART NO. | PART NO. | |
| | | 210127 | 210131 | Cylinder Assembly |
| 1 | 1 | 4195-189 | 4195-385 | Shell |
| 2 | 1 | 4130-195 | 4130-380 | Rod |

■ Maximum roll handling capacity.

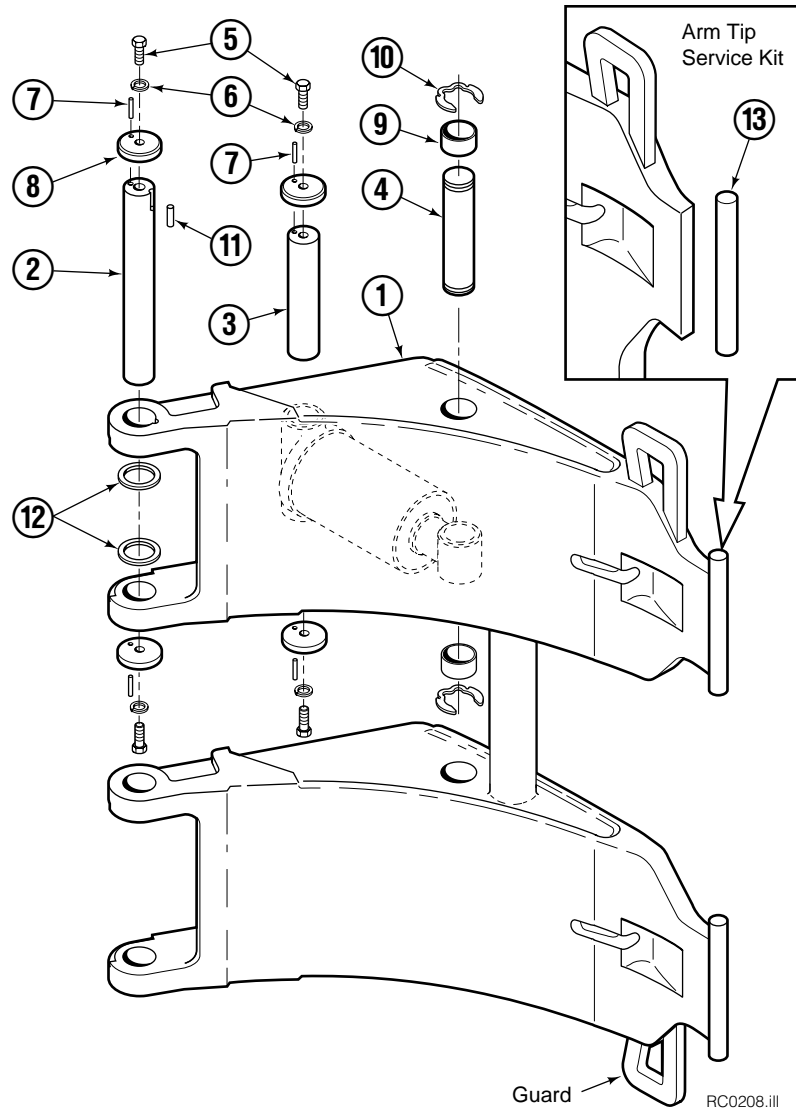
Common Parts

| REF | QTY | PART NO. | DESCRIPTION | REF | QTY | PART NO. | DESCRIPTION |
|-----|-----|----------|----------------|-----|-----|----------|-------------------------|
| 3 | 1 | 560997 | Nut | 12 | 1 | 564443 | ▲ Wiper |
| 4 | 1 | 211295 | ▲ Wear Ring | 13 | 1 | 209764 | Rod Eye |
| 5 | 1 | 564902 | ▲ Seal | 14 | 1 | 659058 | Check Valve |
| 6 | 1 | 211292 | Piston | 15 | 1 | 609234 | Fitting, 4 |
| 7 | 1 | 210087 | ▲ O-Ring | 16 | 1 | 601676 | Fitting, 6-6 |
| 8 | 1 | 564445 | ▲ O-Ring | 17 | 1 | 604511 | Fitting, 6-6 |
| 9 | 1 | 564446 | ▲ Back-Up Ring | 18 | 1 | 667516 | Check Valve Service Kit |
| 10 | 1 | 564442 | ▲ Seal | | | 210133 | Cylinder Service Kit |
| 11 | 1 | 209763 | Retainer | | | | |

▲ Included In Service Kit 210133.

Reference: S-4454, S-4460.

Short Arm



| 60G | | | |
|-----|-----|----------|---------------------|
| REF | QTY | 60 in. ■ | DESCRIPTION |
| | | PART NO. | |
| | | 212036 | Arm Group w/o Guard |
| 1 | 1 | 213320 | Arm w/o Guard |

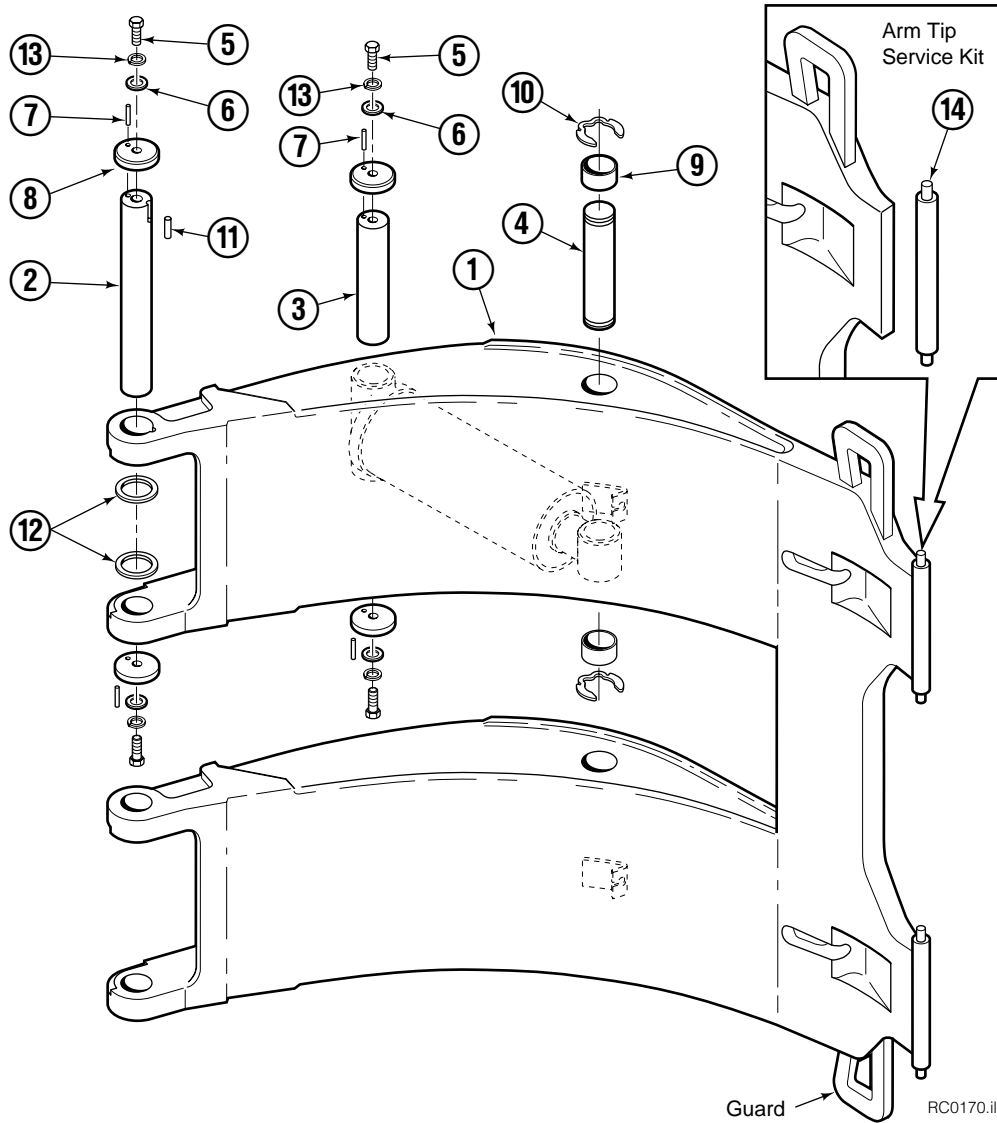
■ Maximum roll handling capacity.

Common Parts

| REF | QTY | PART NO. | DESCRIPTION | REF | QTY | PART NO. | DESCRIPTION |
|-----|-----|----------|------------------------|-----|-----|----------|---------------------|
| | | 212933 | Common Parts Group | 8 | 8 | 209985 | Cap |
| 2 | 2 | 209982 | Arm Pivot Pin | 9 | 4 | 210080 | Bearing |
| 3 | 2 | 209983 | Cylinder Pivot Pin | 10 | 4 | 209986 | Retaining Ring |
| 4 | 2 | 4175-150 | Cylinder Rod Pivot Pin | 11 | 2 | 212382 | Dowel Pin, 8x16 mm |
| 5 | 8 | 212632 | Capscrew, M10x1.5x20 | 12 | 16 | 209941 | Shim - .062 in. |
| 6 | 8 | 209021 | Washer, M10 | 13 | 1 | 212902 | Arm Tip Service Kit |
| 7 | 8 | 769009 | Roll Pin | | | | |

Reference: S-4173.

Long Arm



| 60G | | | |
|-----|-----|----------|---------------------|
| REF | QTY | 60 in. ■ | DESCRIPTION |
| | | PART NO. | |
| | | 212413 | Arm Group w/o Guard |
| 1 | 1 | 213348 | Arm w/o Guard |

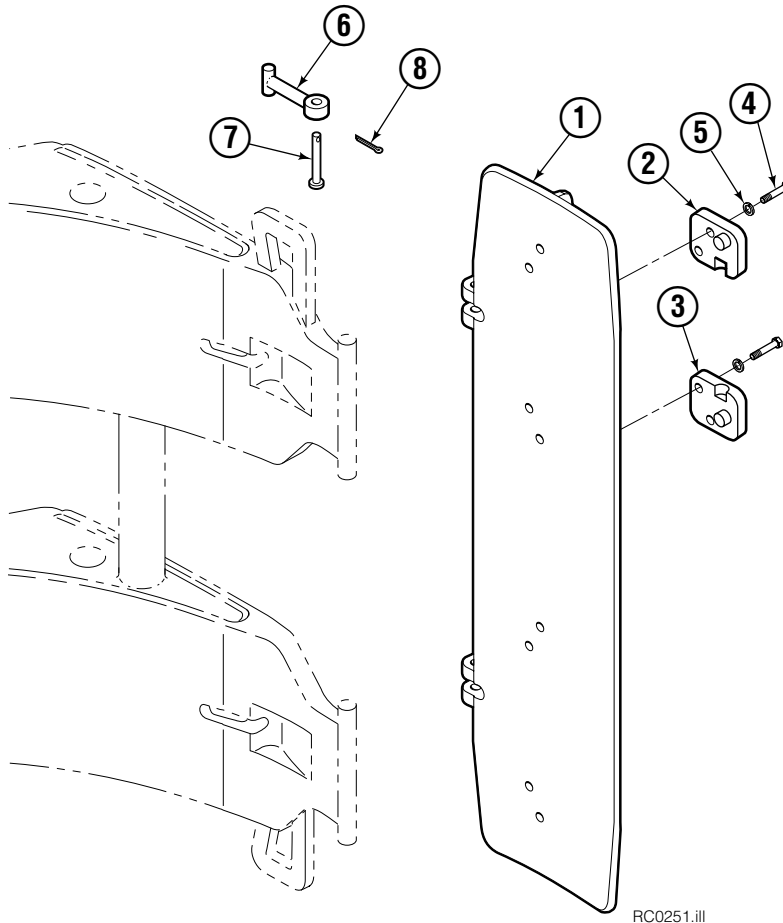
■ Maximum roll handling capacity.

Common Parts

| REF | QTY | PART NO. | DESCRIPTION | REF | QTY | PART NO. | DESCRIPTION |
|-----|-----|----------|------------------------|-----|-----|----------|---------------------|
| | | 212933 | Common Parts Group | 8 | 8 | 209985 | Cap |
| 2 | 2 | 209982 | Arm Pivot Pin | 9 | 4 | 210080 | Bearing |
| 3 | 2 | 209983 | Cylinder Pivot Pin | 10 | 4 | 209986 | Retaining Ring |
| 4 | 2 | 4175-150 | Cylinder Rod Pivot Pin | 11 | 2 | 212382 | Dowel Pin, 8x16 mm |
| 5 | 8 | 212632 | Capscrew, M10x1.5x20 | 12 | 16 | 209941 | Shim - .062 in. |
| 6 | 8 | 209021 | Washer, M10 | 13 | 1 | 212903 | Arm Tip Service Kit |
| 7 | 8 | 769009 | Roll Pin | | | | |

Reference: S-4171.

Pad Group – Short Arm



RC0251.iii

| 60G | | | |
|-----|-----|----------|--------------------|
| REF | QTY | 60 in. ■ | DESCRIPTION |
| | | PART NO. | |
| | | 209883 | Standard Pad Group |
| 1 | 1 | 209895 | Pad, Standard |

■ Maximum roll handling capacity.

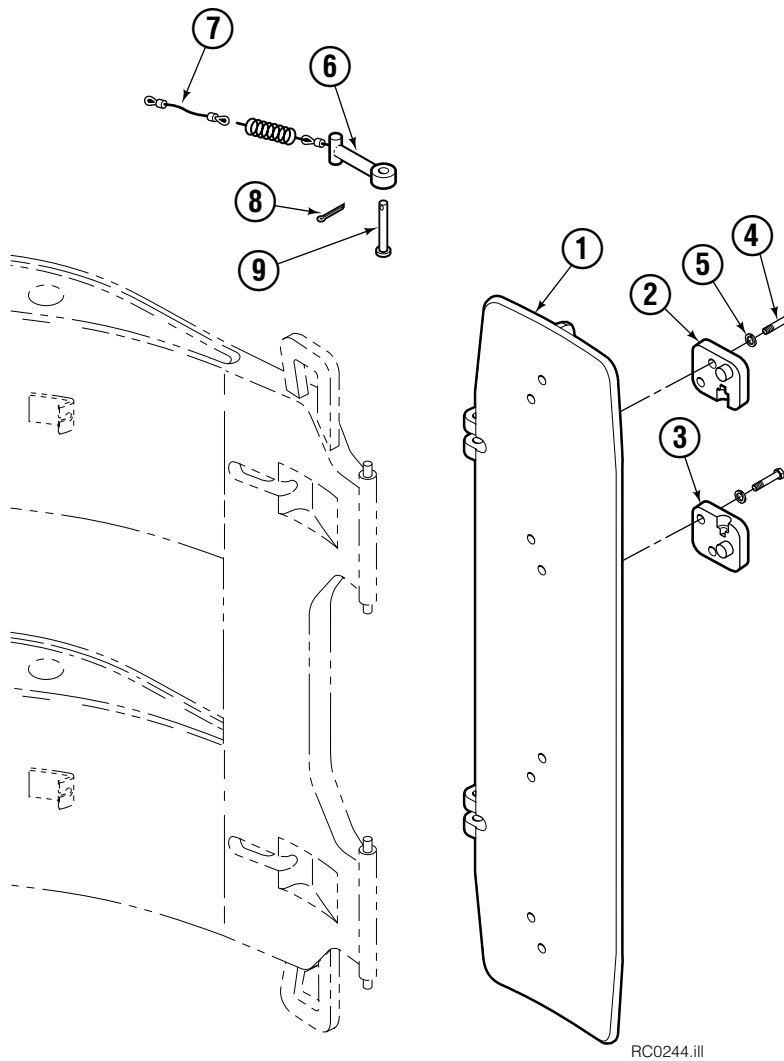
Common Parts

| REF | QTY | PART NO. | DESCRIPTION | REF | QTY | PART NO. | DESCRIPTION |
|-----|-----|----------|--------------------------------|-----|-----|----------|-----------------|
| | | 212935 | Common Parts Group – Short Arm | 5 | 8 | 681473 | Lockwasher, M12 |
| 2 | 2 | 209904 | Retainer – RH ▲ | 6 | 2 | 209909 | Link |
| 3 | 2 | 209905 | Retainer – LH ▲ | 7 | 2 | 674265 | Clevis Pin |
| 4 | 8 | 763021 | Capscrew, M12 x 30 | 8 | 2 | 6525 | Cotter Pin |

▲ Driver's view, clamp in horizontal position, Short Arm up.

Reference: S-4176, S-4177.

Pad Group – Long Arm



RC0244.ill

| 60G | | | |
|-----|-----|----------|--------------------|
| REF | QTY | 60 in. ■ | DESCRIPTION |
| | | PART NO. | |
| | | 209882 | Standard Pad Group |
| 1 | 1 | 209895 | Pad, Standard |

■ Maximum roll handling capacity.

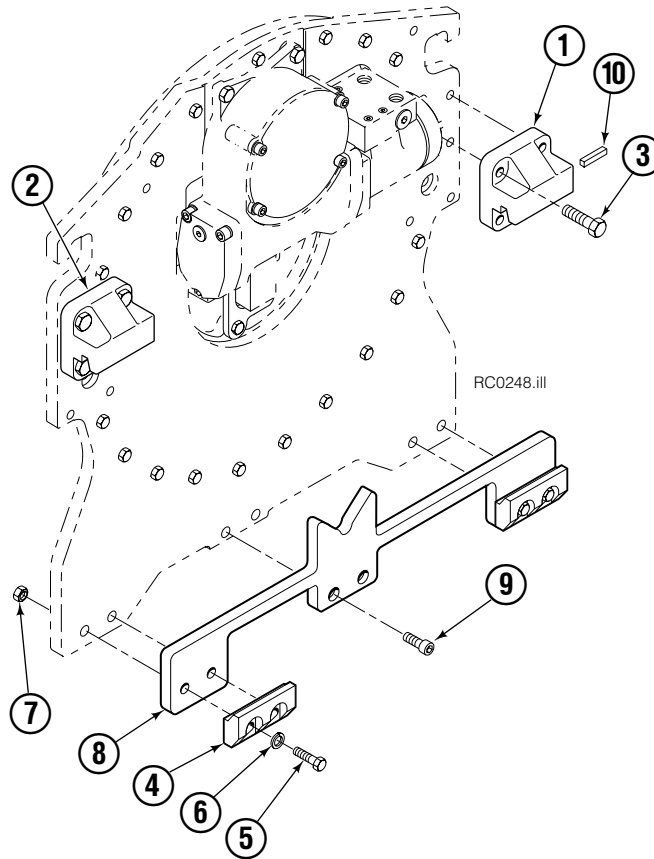
Common Parts

| REF | QTY | PART NO. | DESCRIPTION | REF | QTY | PART NO. | DESCRIPTION |
|-----|-----|----------|-------------------------------|-----|-----|----------|-------------|
| | | 212931 | Common Parts Group – Long Arm | 6 | 2 | 209916 | Link |
| 2 | 2 | 211997 | Retainer – RH ▲ | 7 | 2 | 4182-110 | Cable |
| 3 | 2 | 211998 | Retainer – LH ▲ | 8 | 2 | 674265 | Clevis Pin |
| 4 | 8 | 763021 | Capscrew, M12 x 30 | 9 | 2 | 6525 | Cotter Pin |
| 5 | 8 | 681473 | Lockwasher, M12 | | | | |

▲ Driver's view, clamp in horizontal position, Short Arm up.

Reference: S-4176, S-4177.

Mounting Group



Class III, 2°

| REF | QTY | PART NO. | DESCRIPTION |
|-----|-----|----------|-----------------------|
| | | 209926 | Mounting Group |
| 1 | 1 | 209932 | Upper Hook – RH |
| 2 | 1 | 209933 | Upper Hook – LH |
| 3 | 4 | 779010 | Capscrew, M16 x 35 |
| 4 | 2 | 675969 | Lower Hook |
| 5 | 4 | 678997 | Capscrew, M16 x 70 |
| 6 | 4 | 667225 | Washer, .625 in. I.D. |
| 7 | 4 | 781534 | Nut, M16 |
| 8 | 1 | 209936 | Spacer |
| 9 | 2 | 213771 | Capscrew, M12 x 25 |
| 10 | 1 | 669344 | Stop Kit |

Do you have questions you need answered right now? Call your nearest Cascade Parts Department. Visit us online at www.cascorp.com

Cascade Corporation
2501 Sheridan Avenue
Springfield, OH 45505
Tel: 888-CASCADE (227-2233)
FAX: 888-329-0234

Cascade Canada Inc.
5570 Timberlea Blvd.
Mississauga, Ontario
Canada L4W-4M6
Tel: 905-629-7777
FAX: 905-629-7785

Cascade GmbH
D-41199 Monchengladbach
Klosterhofweg 52
Germany
Tel: 49-216-668230
FAX: 49-216-6682323

Cascade Finland
Albert Petreliuksenkatu 3
01370 Vantaa
Finland
Tel: 358-9-836-1925
FAX: 358-9-836-1935

**Cascade N.V.
European Headquarters**
P.O. Box 3009
1300 El Almere
Damsluisweg 56
1332 ED Almere
The Netherlands
Tel: 31-36-5492911
FAX: 31-36-5492964

**Cascade N.V.
Benelux Sales and Service**
P.O. Box 3009
1300 El Almere
Damsluisweg 56
1332 ED Almere
The Netherlands
Tel: 31-36-5492950
FAX: 31-36-5492974

Cascade (UK) Ltd.
15, Orgreave Crescent
Dore House Industrial Estate
Handsworth
Sheffield S13 9NQ
England
Tel: 742-697524
FAX: 742-695121

Cascade Scandinavia AB
Box 124
Hammarvägen 10
567 23 Vaggeryd
Sweden
Tel: 42-0-393-36950
FAX: 46-0-393-36959

Cascade Norway
Østerliveien 37A
1153 Oslo
Norway
Tel: 47-22-743160
FAX: 47-22-743157

Cascade France S.A.R.L.
1D Rue De Charaintru
BP 18, 91360 Epinay-Sur-Orge
Morangis Cedex, France
Tel: 33-1- 64547500
FAX: 33-1-64547501

Cascade Hispania S.A.
Carrer 5 Sector C
Zona Franca Duanera
Poligono de la Zon Franca
08040 Barcelona, Spain
Office No. 256
Tel: 93-264-07-30
FAX: 93-264-07-31

Cascade Japan Ltd.
5-5-41,
Torikai Kami
Settsu, Osaka
Japan, 566
Tel: 81-726-53-3490
FAX: 81-726-53-3497

Cascade Korea
108B, Namdong Ind Complex
658-3 Gojan-Dong
Namdong-Gu
Inchon, 405-310 Korea
Tel: 82-32-821-2051
FAX: 82-32-821-2055

Cascade Australia
1445 Ipswich Road
Rocklea, QLD 4106
Australia
Tel: 1-800227-223
FAX: (07) 3373-7333

Cascade New Zealand
15 Ra Ora Drive
East Tamaki, Auckland
New Zealand
Tel: 9-273-9136
FAX: 9-273-9137

Cascade (Africa) Pty. Ltd.
P.O. Box 625, Isando 1600
60A Steel Road
Sparton, Kempton Park
South Africa
Tel: 27-11-975-9240
FAX: 27-11-394-1147

Cascade-Xiamen
No. 668 Yangguang Rd.
Xinyang Industrial Zone
Haicang, Xiamen City
Fujian Province
P.R. China 361026
Tel: 86-592-651-2500
FAX: 86-592-651-2571

**Cascade (Singapore)
Trading Co.**
Four Seasons Park
Autumn Block - Apt. 1802
12 Cuscaden Walk
Singapore
Tel: 65-834-1935
FAX: 65-834-1936

