



Parts Manual

Model Single Double Pallet Handler

Serial Number 55E-FD-458

cascade®

For Technical Assistance call: 800-227-2233, Fax: 888-329-8207

To Order Parts call: 888-227-2233, Fax: 888-329-0234

OR

Write: Cascade Corporation, P.O. Box 20187, Portland, OR 97220

Decals



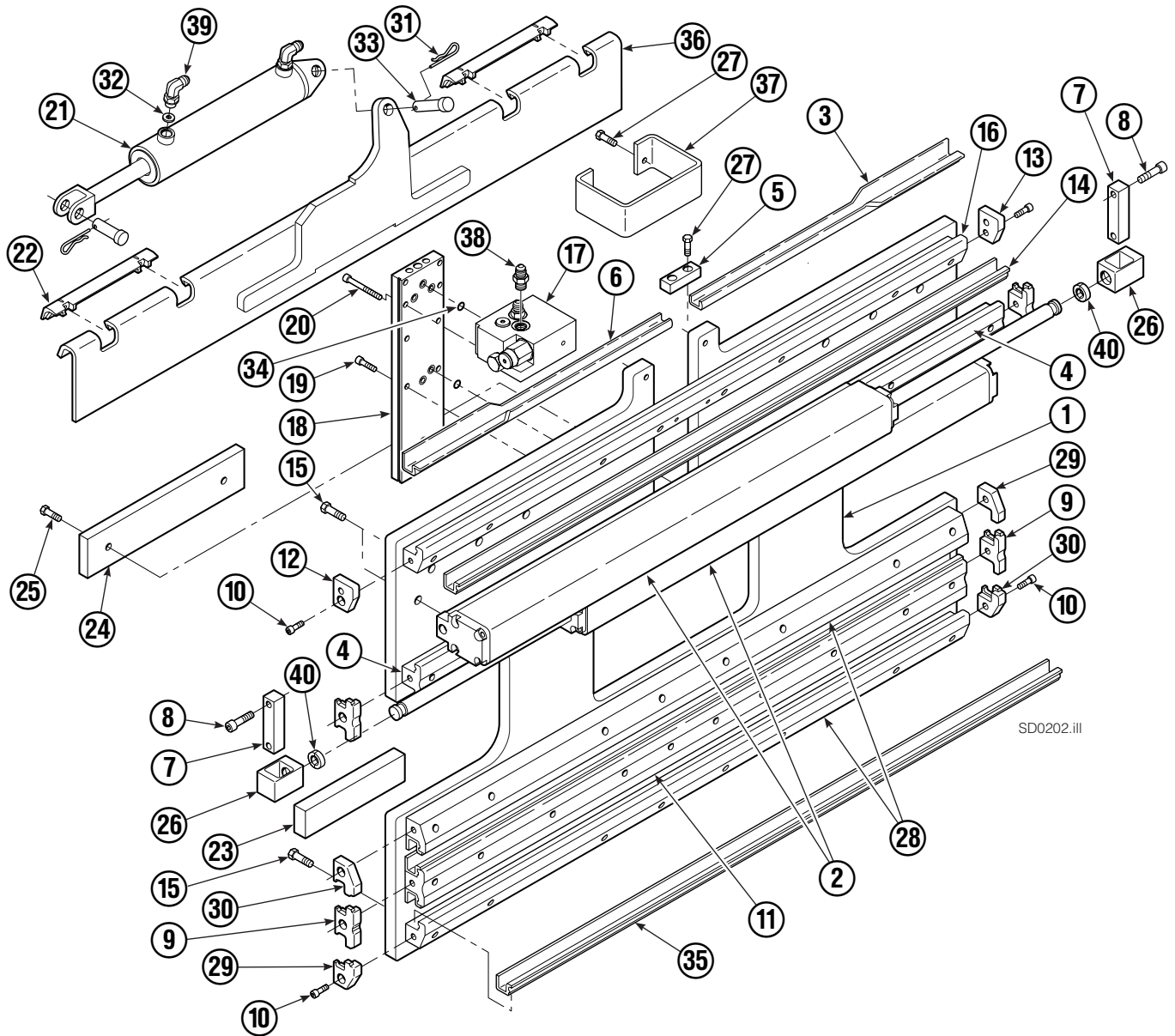
55E			
REF	QTY	PART NO.	DESCRIPTION
1	6	665595	No Hand Hold Decal
2	4	679150	No Step Decal

Publications



55E	
PART NO.	DESCRIPTION
	Parts Manual
213580	Operator's Guide
213372	Installation Instructions
679929	Tool Catalog
673964	Literature Index Order Form

Base Unit Group – ITA Class III



SD0202.iii

Base Unit Group – ITA Class III

55E			
REF	QTY	PART NO.	DESCRIPTION
		214641	Base Unit Group – Class III
1	1	212428	Baseplate Class – III
2	2	214620	Frame Cylinder ★
3	1	4786-0488	Bearing Segment – LH
4	2	214628	T-Bar – Upper
5	1	212722	Fork Stop
6	1	4787-0488	Bearing Segment – RH

Common Parts

REF	QTY	PART NO.	DESCRIPTION	REF	QTY	PART NO.	DESCRIPTION
7	2	210489	Rod End Anchor ■	24	1	212740	Spacer Block
8	4	768303	Capscrew, M10 x 35 ■	25	2	767615	Capscrew, M10 x 25
9	4	210140	Bearing Retainer	26	2	209741	Rod End ■
10	10	787375	Capscrew, M8 x 20 GR 8.8	27	4	684649	Capscrew, M10 x 25
11	1	214631	T-Bar – Lower	28	2	214633	T-Bar – Lower
12	1	211380	Retainer/Stop – RH	29	2	212585	Bearing Retainer
13	1	211379	Retainer/Stop – LH	30	2	212586	Bearing Retainer
14	4	4730-1050	Bearing Segment	31	2	672726	Cotter Pin
15	50	211689	Capscrew, M12 x 30 GR 10.9	32	1	675550	Washer
16	1	214635	T-Bar – Upper	33	2	678525	Clevis Pin
17	1	216838	Valve Assembly ▲	34	7	214053	O-Ring
18	1	211456	Manifold	35	4	4318-1040	Bearing Segment
19	6	768208	Capscrew, M8 x 25	36	1	211371	Anchor Bracket
20	4	768795	Capscrew, M8 x 30	37	1	212741	Valve Guard
21	1	675548	Sideshift Cylinder ●	38	2	604511	Fitting, 6-6
22	2	672018	Upper Bearing	39	2	601676	Fitting, 6-6
23	2	208350	Lower Bearing	40	4	210490	Retainer Half Ring ■

★ See Frame Cylinder page for parts breakdown.

▲ See Valve Assembly – Class III page for parts breakdown.

■ Included in Cylinder Rod Anchor Kit 213856.

● See Sideshift Cylinder page for parts breakdown.

Reference: SK-6131, Fitting Group 213099.

Cylinder



REF	QTY	PART NO.	DESCRIPTION	REF	QTY	PART NO.	DESCRIPTION
		214620	Cylinder Assembly	8	2	210053	O-Ring ▲
1	1	214621	Cylinder/Shell	9	2	210050	Back-Up Ring ▲
2	1	4157-805	Rod	10	1	212477	Seal ▲
3	1	213783	Cap	11	1	209808	Seal ▲
4	8	768208	Capscrew, M8 x 25	12	2	214053	O-Ring ▲
5	1	209809	Bearing ▲	13	1	562131	Wiper ▲
6	1	787375	Capscrew, M8 x 20			210090	Service Kit
7	1	212452	Retainer				

▲ Included in Service Kit 210090.

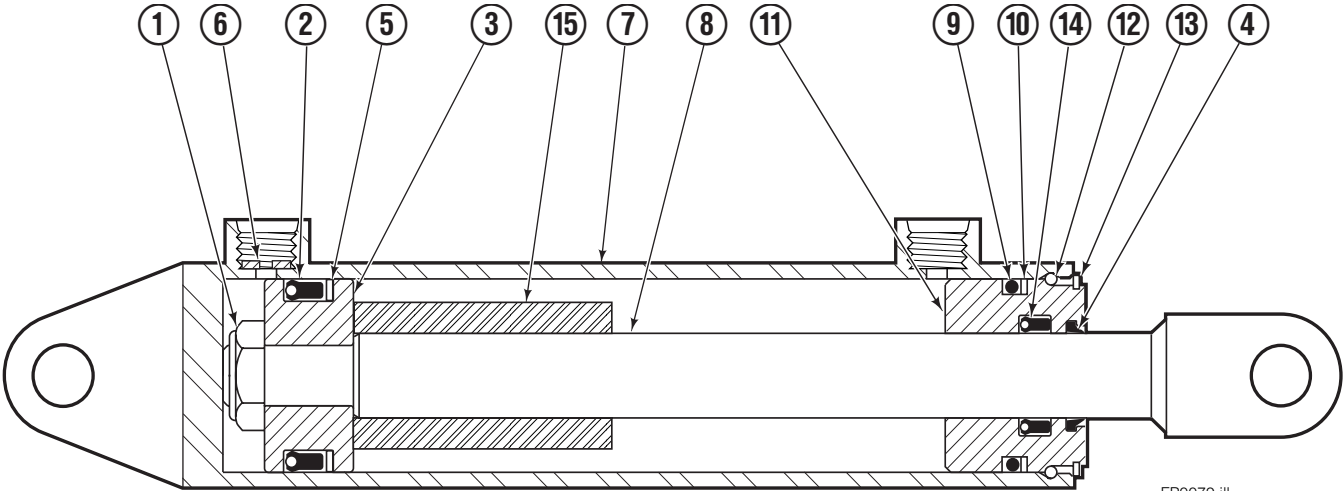
Reference: S-4644, S-4643.

Valve ITA Class III



55E			
REF	QTY	PART NO.	DESCRIPTION
		216838	Valve Assembly
1	1	219039	Check Valve
2	1	—	Service Kit
3	1	609234	Plug
4	1	216839	Valve Body
5	1	213535	Crossover Relief Valve
6	1	682170	Service Kit
7	1	219040	Flow Divider/Combiner
8	1	—	Service Kit

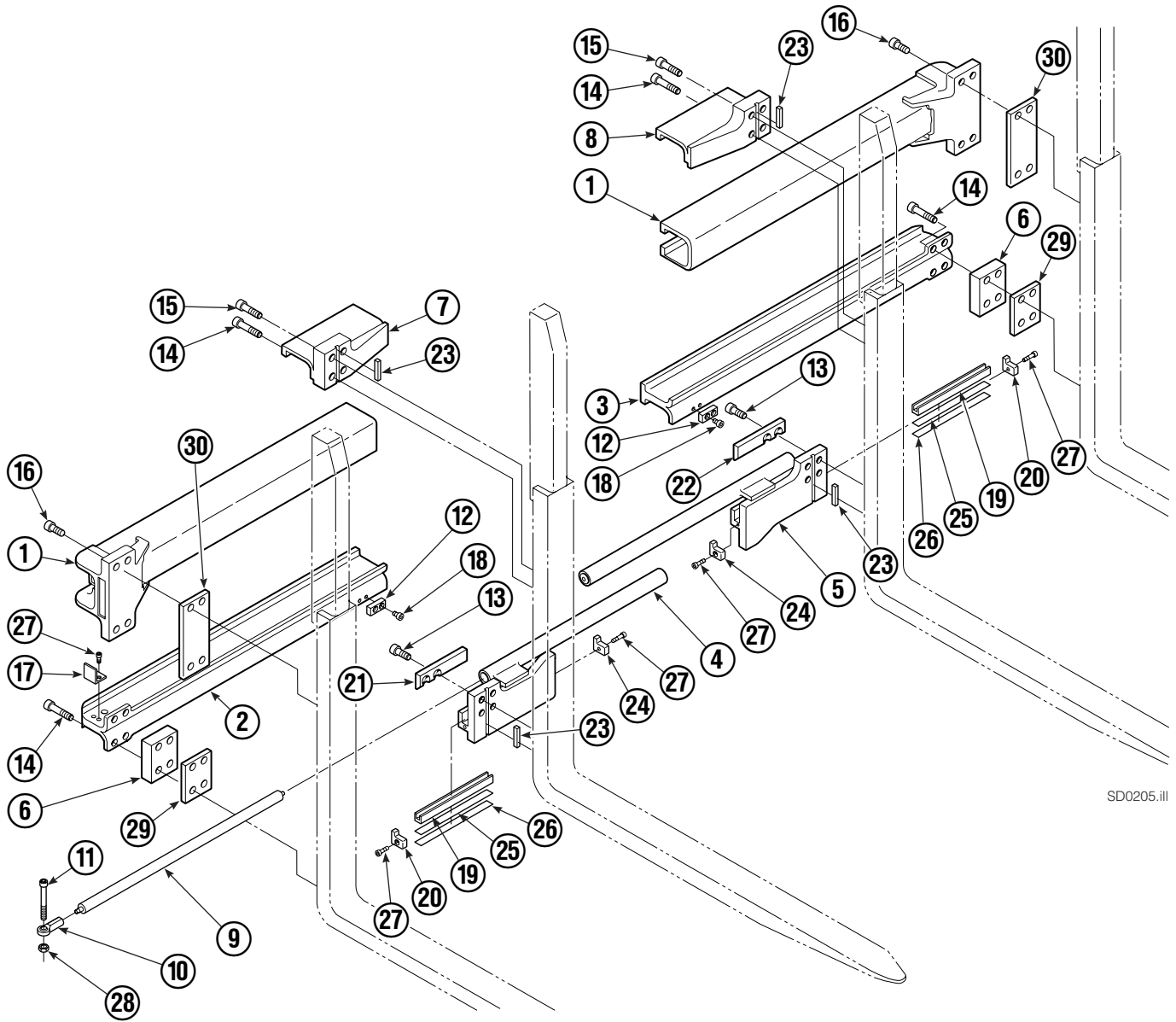
Sideshift Cylinder



REF	QTY	PART NO.	DESCRIPTION
		675548	Cylinder Assembly
1	1	553857	Nut
■ 2	1	662452	Seal
3	1	553501	Piston
■ 4	1	636851	Wiper
■ 5	1	638247	Back-up Ring
6	1	675550	Washer (orifice .085)
7	1	675549	Shell
8	1	553449	Rod
■ 9	1	2785	O-Ring
■ 10	1	615128	Back-up Ring
11	1	553500	Retainer
12	1	553856	Retaining Ring
13	1	7202	Snap Ring
■ 14	1	641835	Seal
15	1	---	Spacer
		553861	Service Kit

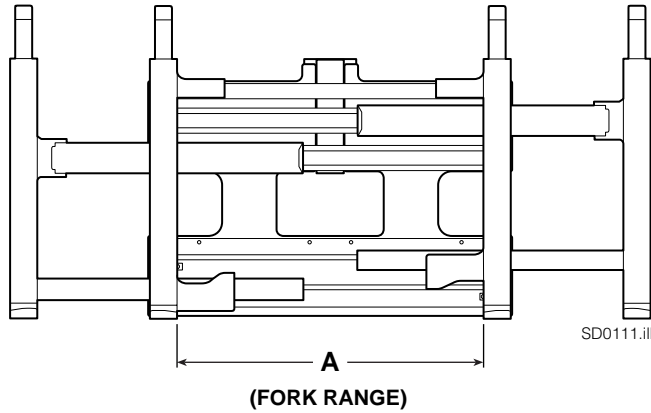
■ Included in Service Kit 553861.

Arm Group



SD0205.iii

Arm Group



NOTE: Position the inner forks to maximum width and measure **A** to determine maximum inner fork inside to inside (ITI) range.

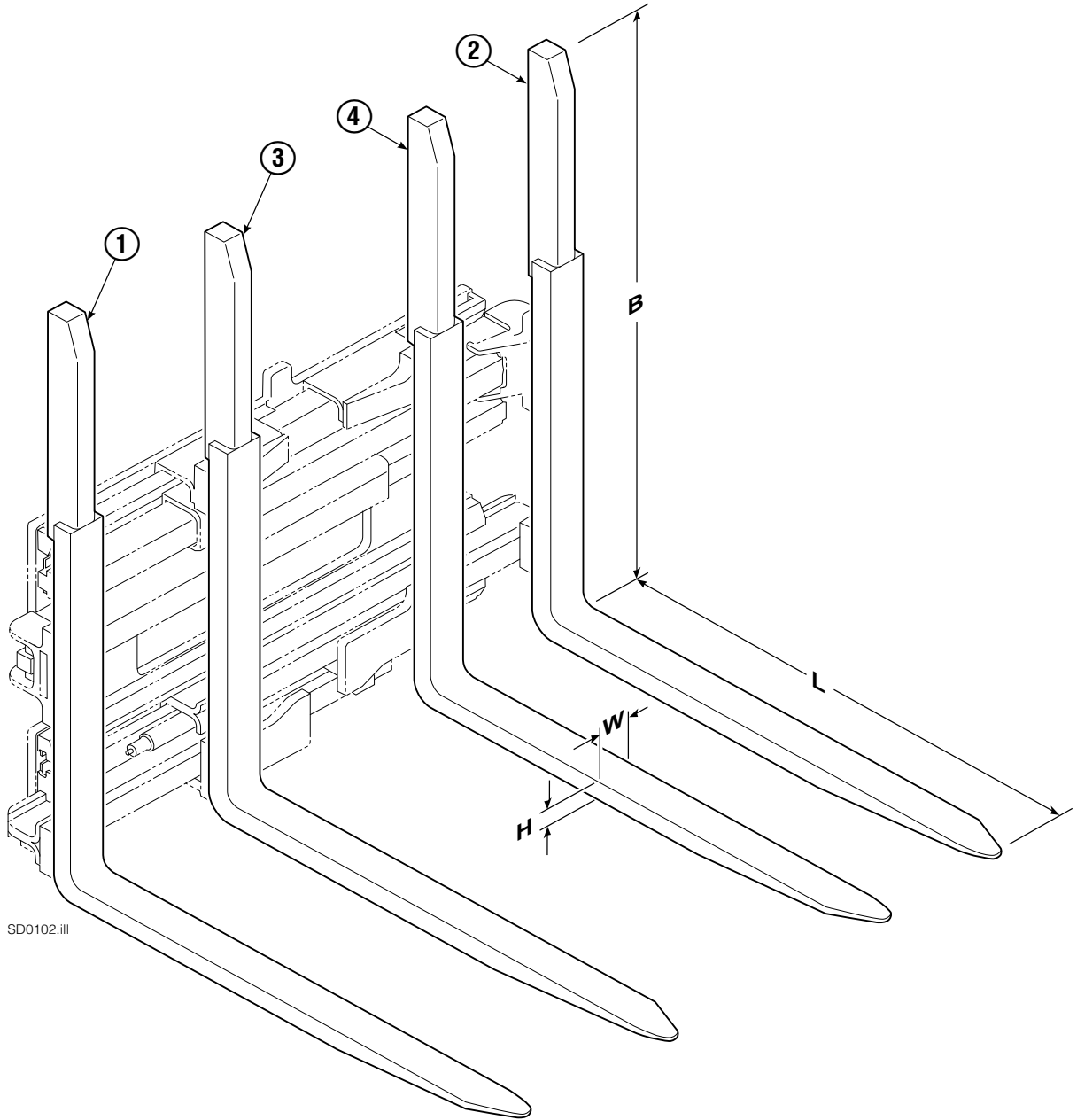
55E						
		DIMENSION – A				
		MAXIMUM ITI FORK RANGE				
		28 in. (720 mm)	28.5 in. (730 mm)	31 in. (790 mm)	32 in. (820 mm)	
REF	QTY	PART NO.	PART NO.	PART NO.	PART NO.	DESCRIPTION
		218372	218375	218376	218373	Arm Group
1	2	4316-0799	4316-0819	4316-0874	4316-0799	Upper Arm Bar
2	1	216728	216732	216734	216726	Lower Arm Bar – RH
3	1	216727	216731	216733	216725	Lower Arm Bar – LH
4	1	217341	218330	218336	217341	Lower Hook – RH
5	1	217338	218333	218339	217338	Lower Hook – LH

Common Parts

REF	QTY	PART NO.	DESCRIPTION	REF	QTY	PART NO.	DESCRIPTION
6	2	210587	Spacer	19	2	4501-0222	Bearing Segment
7	1	211384	Upper Hook – RH	20	2	212979	Bearing Retainer
8	1	211383	Upper Hook – LH	21	1	212682	Bearing – RH
9	2	212683	Gas Spring	22	1	213899	Bearing – LH
10	2	216462	Rod End	23	4	213364	Key
11	2	216463	Capscrew, M10 x 60	24	2	213360	Bearing Retainer
12	2	212687	Lower Fork Stop	25	4	212559	Shim, .04 in. (.1 mm)
13	8	769574	Capscrew, M16 x 35	26	4	213913	Shim, .020 in. (.5 mm)
14	12	769578	Capscrew, M16 x 60	27	8	787375	Capscrew, M8 x 20
15	4	769577	Capscrew, M16 x 50	28	2	209152	Nut, M10
16	8	769573	Capscrew, M16 x 30	29	4	797610	Spacer
17	2	213022	Guard	30	4	797611	Spacer
18	4	214414	Capscrew, M10 x 12				

Reference: SK-6116 and 6131. Common Parts Group 216738.

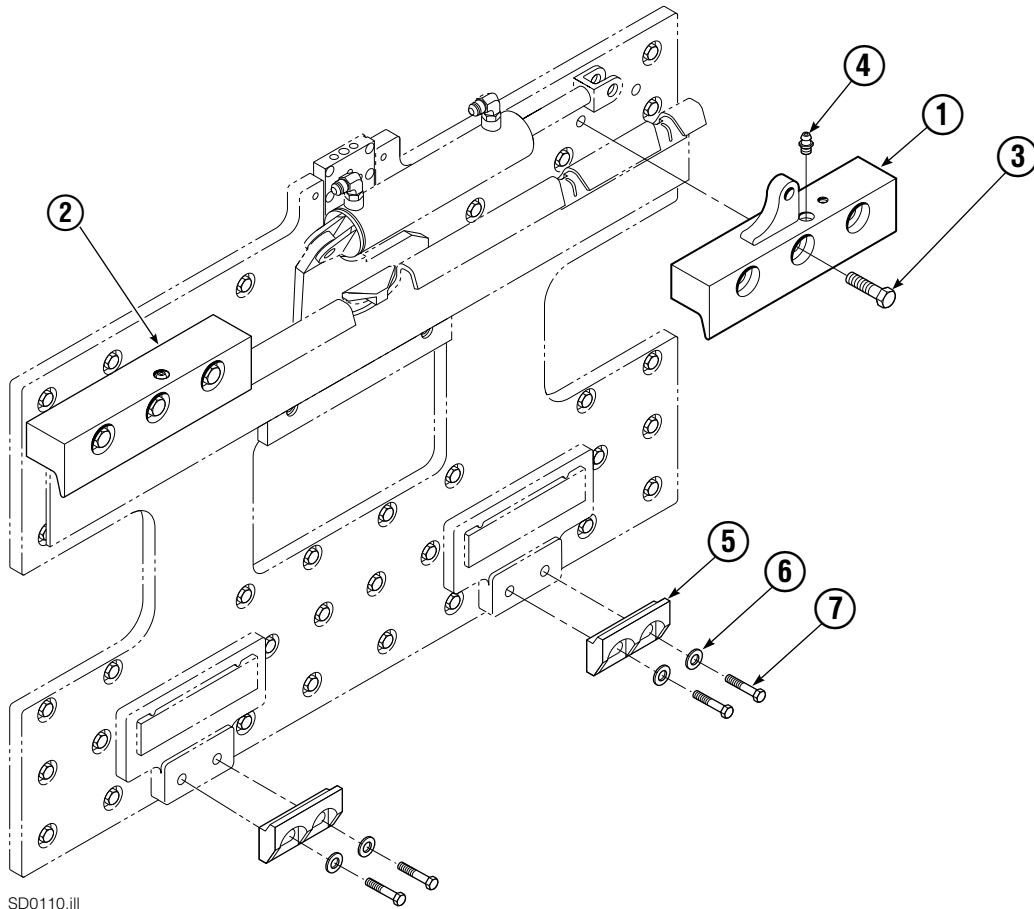
Tube Backrest/Fork Group



SD0102.iii

55E									
SIZE (IN.)				FORK GROUP PART NO.	REF 1	REF 2	REF 3	REF 4	
L	W	H	B		Outer Fork-RH	Outer Fork-LH	Inner Fork-RH	Inner Fork-LH	
46.1	3.2	1.8	48	393096	393093	393092	393095	393094	

Mounting Group ITA Class III



SD0110.iii

55E			
REF	QTY	ITA III	DESCRIPTION
		PART NO.	
		212574	Upper Hook Group ▲
		391335	Lower Hook Group ★
1	1	211375	Upper Hook - RH
2	1	210592	Upper Hook - LH
3	6	796631	Cap screw, M16x65
4	2	7403	Grease Fitting
5	2	675969	Lower Hook
6	4	667225	Washer
7	4	779009	Cap screw

▲ Includes items 1, 2 and 3.

★ Includes items 5, 6 and 7.

Reference: SK-6116.

Do you have questions you need answered right now? Call your nearest Cascade Parts Department.

Cascade Corporation
2501 Sheridan Avenue
Springfield, OH 45505
Tel: 888-CASCADE (227-2233)
FAX: 888-329-0234

Cascade Canada Inc.
5570 Timberlea Blvd.
Mississauga, Ontario
Canada L4W-4M6
Tel: 905-629-7777
FAX: 905-629-7785

Cascade GmbH
D-41 199 Monchengladbach
Klosterhofweg 52
Germany
Tel: 21-66-602091
FAX: 21-66-680947

Cascade Finland
01370 Vantas
Finland
Tel: 358-0-836-1925
FAX: 358-0-836-1935

**Cascade N.V.
European Headquarters**
P.O. Box 3009
1300 El Almere
Damsluisweg 56
1332 ED Almere
The Netherlands
Tel: 31-36-5492911
FAX: 31-36-5492964

**Cascade N.V.
Benelux Sales and Service**
P.O. Box 3009
1300 El Almere
Damsluisweg 56
1332 ED Almere
The Netherlands
Tel: 31-36-5492950
FAX: 31-36-5492974

Cascade (UK) Ltd.
15, Orgreave Crescent
Dore House Industrial Estate
Handsworth
Sheffield S13 9NQ
England
Tel: 742-697524
FAX: 742-695121

**Cascade Scandinavia
Hydraulik A.B.**
Muskötgatan 19, E8-9
S25466 Helsingborg
Sweden
Tel: 42-151135
FAX: 42-152997

Cascade Norway
Østerliveien 37A
1153 Oslo
Norway
Tel: 47-22-743160
FAX: 47-22-743157

Cascade France S.A.R.L.
11, Rue Jean Charcot
Zone Industrielle Sud or
B.P. 22
91421 Morangis Cedex
France
Tel: 1- 64547501
FAX: 1-9790584

Cascade Hispania S.A.
Avenida De La Fabregada, 7
Hospitalet De Llobregat
Barcelona
Spain
Tel: 3-335-5158
FAX: 3-335-4756

Cascade Japan Ltd.
5-5-41,
Torikai Kami
Settsu, Osaka
Japan, 566
Tel: 81-726-53-3490
FAX: 81-726-53-3497

Cascade Korea
Room 508, Pum Yang Bldg.
750-14, Bang Bac-Dong
Se-Cho Ku, Seoul
Korea
Tel: 2599-7131 ext. 512
FAX: 2533-8089

HYCO-Cascade Pty. Ltd.
1445 Ipswich Road
Rocklea,
Queensland 4107
Australia
Tel: 3-274-2722
FAX: 3-274-3456

HYCO-Cascade (NZ) Ltd.
15 Ra Ora Drive, East Tamaki
P.O. Box 38-440
Howick, Auckland
New Zealand
Tel: 9-273-9136
FAX: 9-273-9137

Cascade (Africa) Pty. Ltd.
P.O. Box 625, Isando 1600
60A Steel Road
Sparton, Kempton Park
South Africa
Tel: 975-9240
FAX: 394-1147

Cascade-Xiamen
Wanshan No. 1 Workshop
Huli Road
Xiamen 361006
Fujian, PRC
Tel: 592-562-4600
FAX: 592-562-4671

**Cascade (Singapore)
Trading Co.**
Four Seasons Park
Autumn Block - Apt. 1802
12 Cascaden Walk
Singapore
Tel: 65-834-1935
FAX: 65-834-1936

