



Technical Bulletin

Junction Block Selection For Single Line Hose Reels

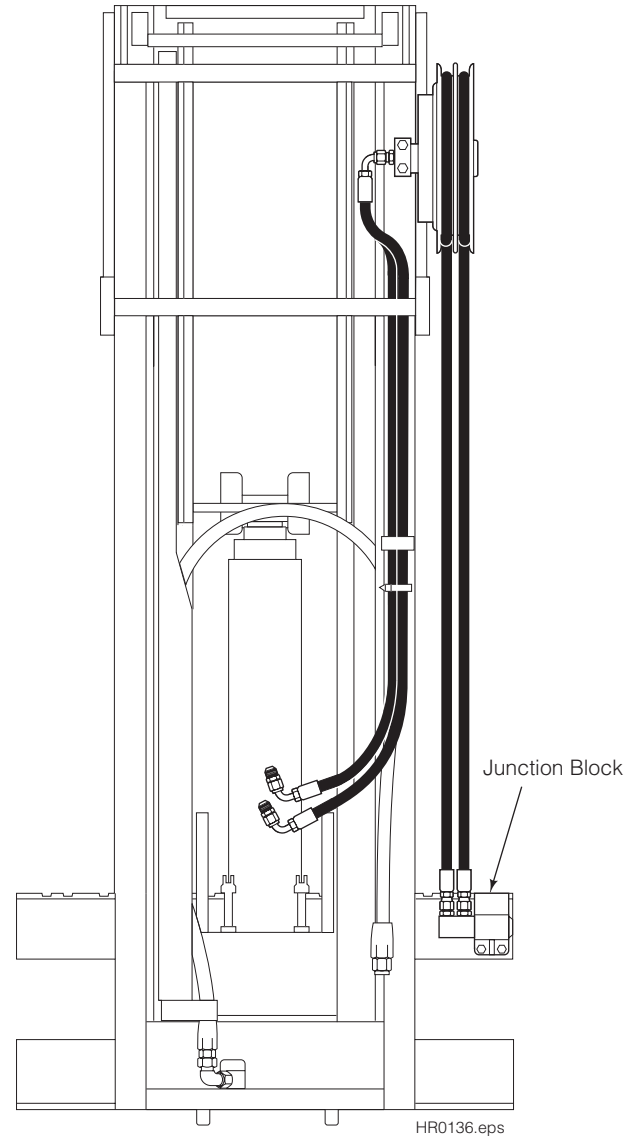
This sheet provides information on selecting an appropriate Junction Block for Cascade attachments. Single Line Hose Reels require a Junction Block with a cross bleed hole to equalize the pressure on two hoses for proper tracking on the hose reel.

There are two styles of Junction Blocks: with or without check valves. Check valves maintain and equalize circuit pressure between the junction block and attachment.

IMPORTANT: Installing a junction block **with** check valves can create adverse effects on attachments **with** built-in check valves. Installing a junction block **without** check valves can cause a drifting condition on attachment **without** built-in check valves.

Use the following chart to select the appropriate type of Junction Block:

Attachment	Junction Block	
	With Check Valves	Without Check Valves
Sideshifter	X	
Fork Positioner	X	
Integral Carriage	X	
Paper Roll Clamp		X
Push Pull	X	
Carton Clamp		X
Rotators		X
Multiple Load Handlers	X	
Clamps - D Series		X



NOTE: This information should not be interpreted as the basis for warranty claims unless so designated.

cascade[®]
corporation

For Technical Support . . .

Call: 1-800-CASCADE (227-2233)

OR

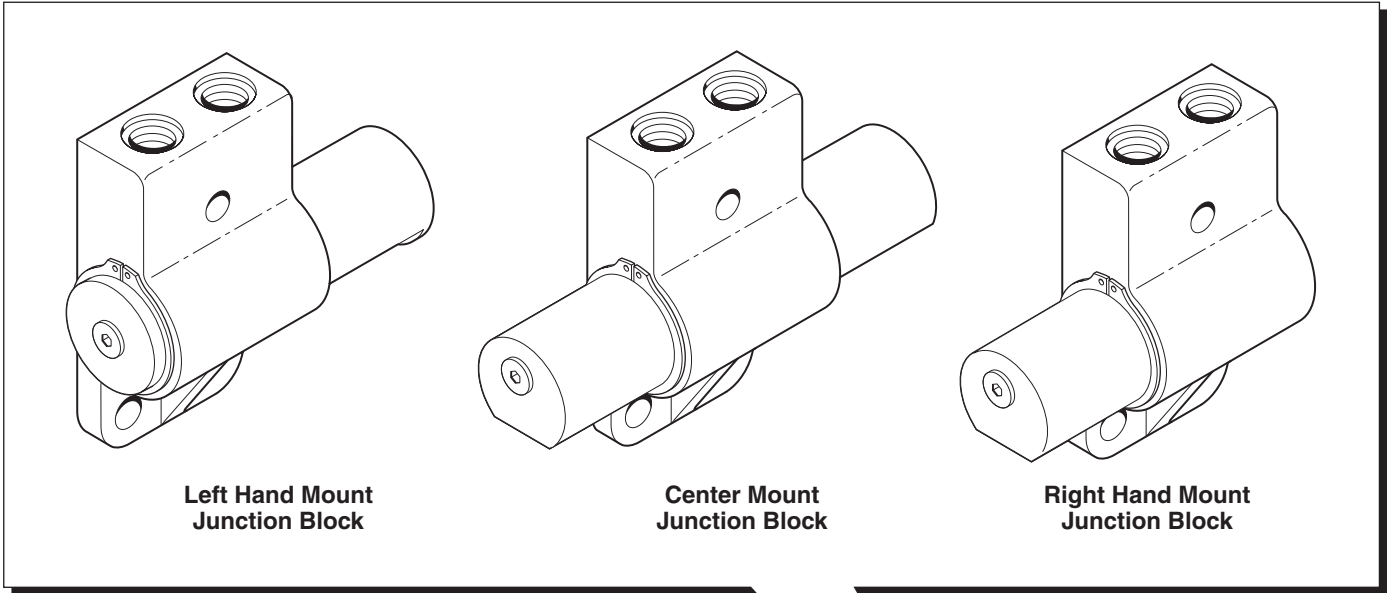
Write: Cascade Corporation, PO Box 20187, Portland, OR 97294-0187

To Order Parts . . .

Call: 1-888-CASCADE (227-2233)

OR

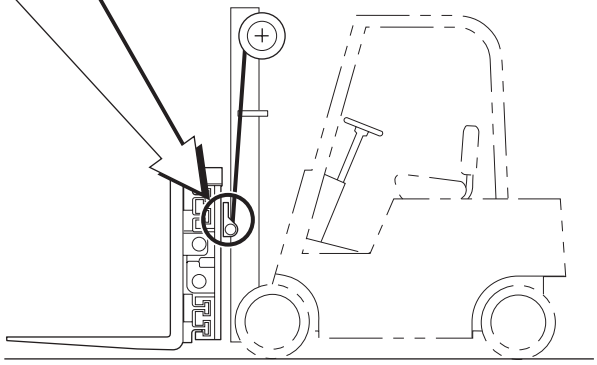
Write: Cascade Corporation, 2501 Sheridan Ave., Springfield, OH 45505



**Left Hand Mount
Junction Block**

**Center Mount
Junction Block**

**Right Hand Mount
Junction Block**



HR0135.eps

Junction Block	Model	Junction Block Part No.	Service Kit	Fitting Groups ●		
				No. 5-8 Fittings	No. 6-8 Fittings	No. 8-8 Fittings
RH No. 8 without checks	J3R	679997				
LH No. 8 without checks	J3L	679998	677833	646319	646318	646317
Center No. 8 without checks	J3C	679999				
Center No. 6 with checks	J1C	680116	680038	646375	646374	646376
RH No. 8 with checks	J2R	679994				
LH No. 8 with checks	J2L	679995	677833	646319	646318	646317
Center No. 8 with checks	J2C	679996				

● Includes four fittings.