



Parts Manual

Model _____ Fork Positioner

Serial Number _____ 45D-FPB-02A R0

cascade®
corporation

For Technical Assistance call: 800-227-2233, Fax: 888-329-8207

To Order Parts call: 888-227-2233, Fax: 888-329-0234

OR

Write: Cascade Corporation, P.O. Box 20187, Portland, OR 97220

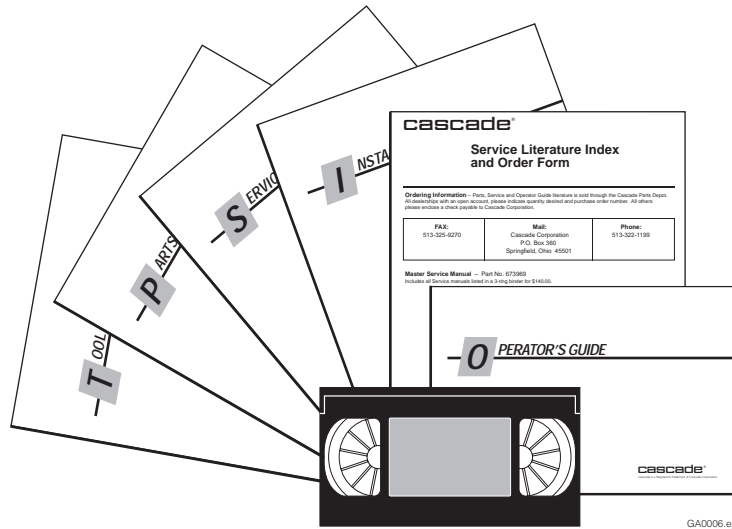
Internet: www.cascorp.com

Safety Decals



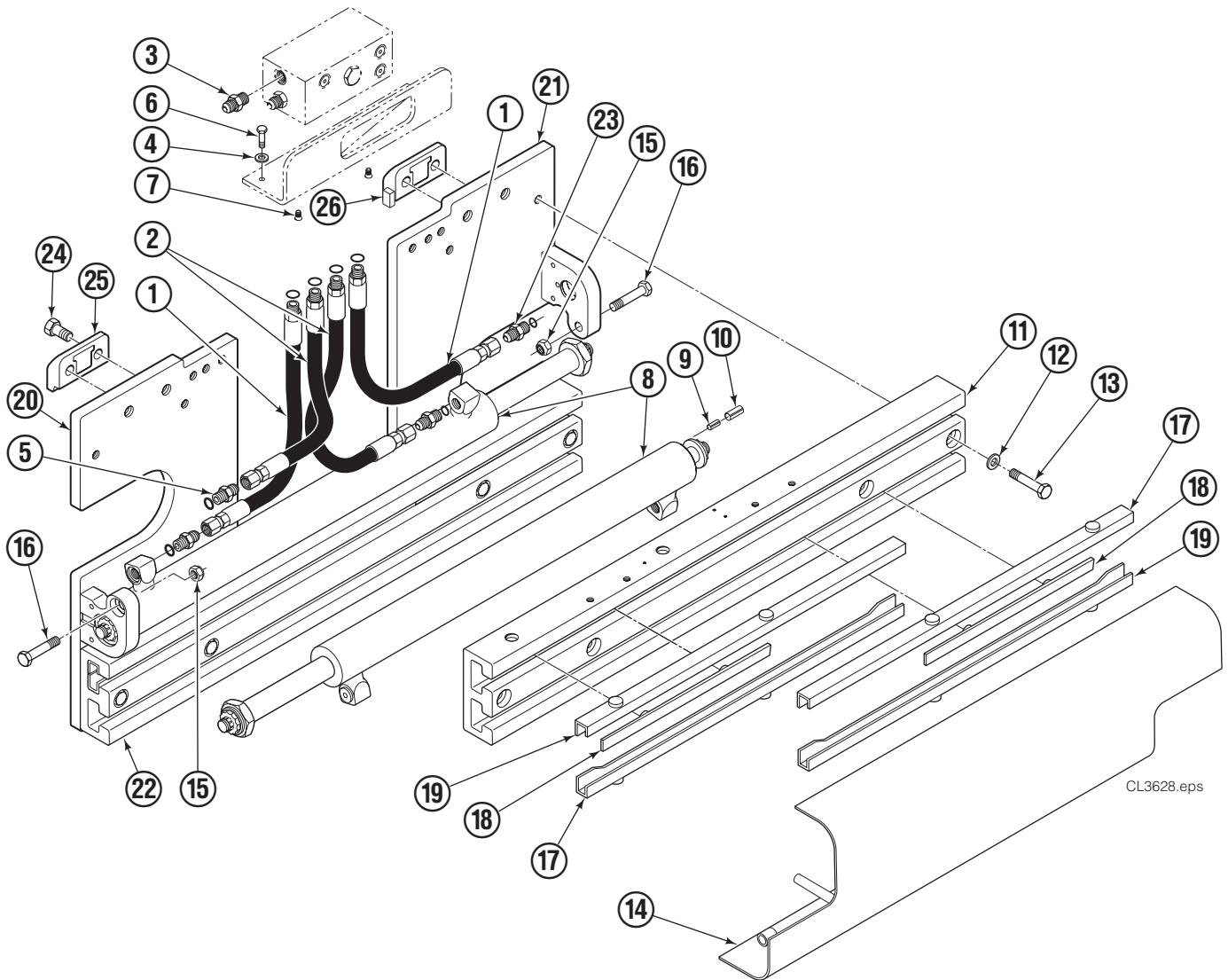
REF	QTY	PART NO.	DESCRIPTION
1	1	679150	No Step Decal
2	2	665595	No Hand Hold Decal
3	1	679059	Quick Change Hook Decal

Publications



PART NO.	DESCRIPTION
669224	Service Manual
672944	Operators Guide
668987	Installation Instructions
680664	Servicing Cascade Cylinders-VHS
679929	Tool Catalog
673964	Literature Index Order Form

Base Unit Group

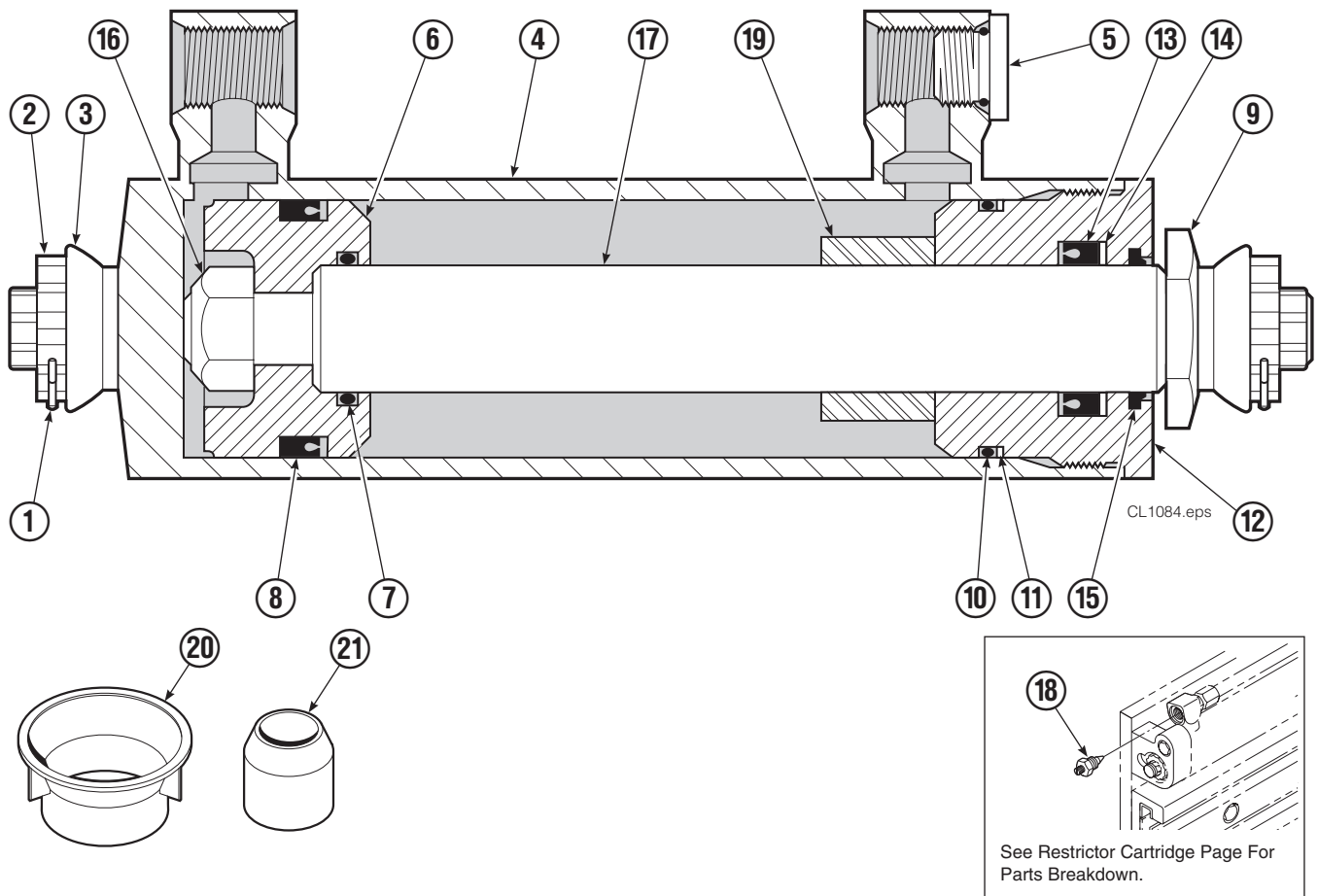


CL3628.eps

45D							
REF	QTY	PART NO.	DESCRIPTION	REF	QTY	PART NO.	DESCRIPTION
		680641	Base Unit Group	14	1	667908	Bumper
1	2	210438	Hose, 22.00 in.	15	2	665707	Nut, 1/2
2	2	210437	Hose, 17.25 in.	16	2	633523	Capscrew, 1/2 x 2.50
3	1	601377	Fitting, 8-8	17	4	668910	Bearing
4	2	6230	Washer	18	4	667663	Bearing
5	2	611288	Fitting, 6-8	19	4	668911	Bearing
6	2	671222	Capscrew, 3/8 x .75	20	1	680623	Mounting Plate – RH
7	2	4750	Capscrew, 3/8 x .75	21	1	680624	Mounting Plate – LH
8	2	667911	Cylinder ♦	22	1	674166	Frame – Lower
9	2	7861	Roll Pin – Inner	23	2	686369	Fitting
10	2	7962	Roll Pin – Outer	24	4	768577	Capscrew, M20 x 35
11	1	667904	Frame – Upper	25	1	210491	Upper Hook – RH
12	8	667910	Washer, 1/2	26	1	6002330	Upper Hook – LH
13	8	667909	Capscrew, 1/2 x 3.00				

♦ See Cylinder page for parts breakdown.
Reference: 680838 Common Parts, SK-5301.

Cylinder Assembly

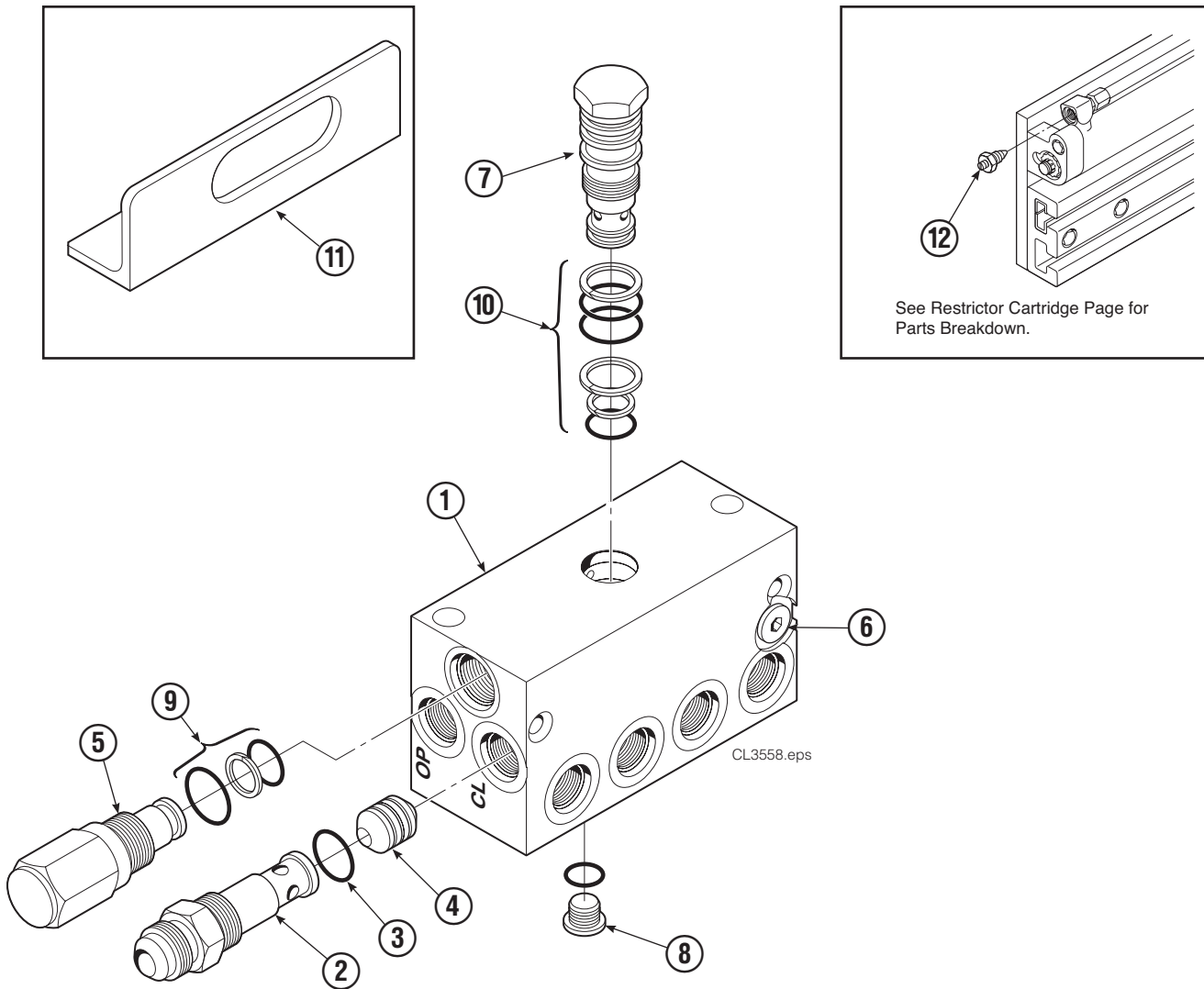


45D							
REF	QTY	PART NO.	DESCRIPTION	REF	QTY	PART NO.	DESCRIPTION
		667911	Cylinder Assembly	12	1	667917	Retainer
1	2	6510	■ Cotter Pin	13	1	662448	▲ Seal
2	2	667624	■ Nut Retainer	14	1	638243	▲ Nylon Ring
3	2	667625	■ Nut	15	1	636853	▲ Wiper
4	1	553758	Shell	16	1	668031	Nut
5	1	602580	Fitting	17	1	667914	Rod
6	1	558400	Piston	18	2	667609	Restrictor Cartridge ●
7	1	2716	▲ O-Ring	19	1	—	Spacer
8	1	662454	▲ Seal	20	1	671048	▲ Seal Loader, Piston
9	1	667626	Washer	21	1	671051	▲ Seal Loader, Retainer
10	1	2787	▲ O-Ring			667995	Service Kit
11	1	615130	▲ Back-Up Ring				

■ Included in Nut Service Kit 668926.
Reference: S-7625, S-7662.

▲ Included in Service Kit 667995.
● Not included in Cylinder Assembly.

Valve Group



35D							
REF	QTY	PART NO.	DESCRIPTION	REF	QTY	PART NO.	DESCRIPTION
		364527	Valve Group	7	1	678270	Check Valve – VPO
	1	363873	Check Valve Assembly ■	8	1	604510	Fitting, 6
1	1	667468	Valve Body	9	1	667510	◆ Service Kit
2	1	667470	Special Fitting	10	1	661347	◆ Service Kit
3	1	2841	O-Ring	11	1	669999	Bracket
4	1	667471	Spool	12	2	667609	Restrictor Cartridge ●
5	1	679890	Relief Valve			667511	Valve Service Kit
6	5	609455	Fitting				

■ Contains items 1 – 10 only.

◆ Included in Valve Service Kit 667511.

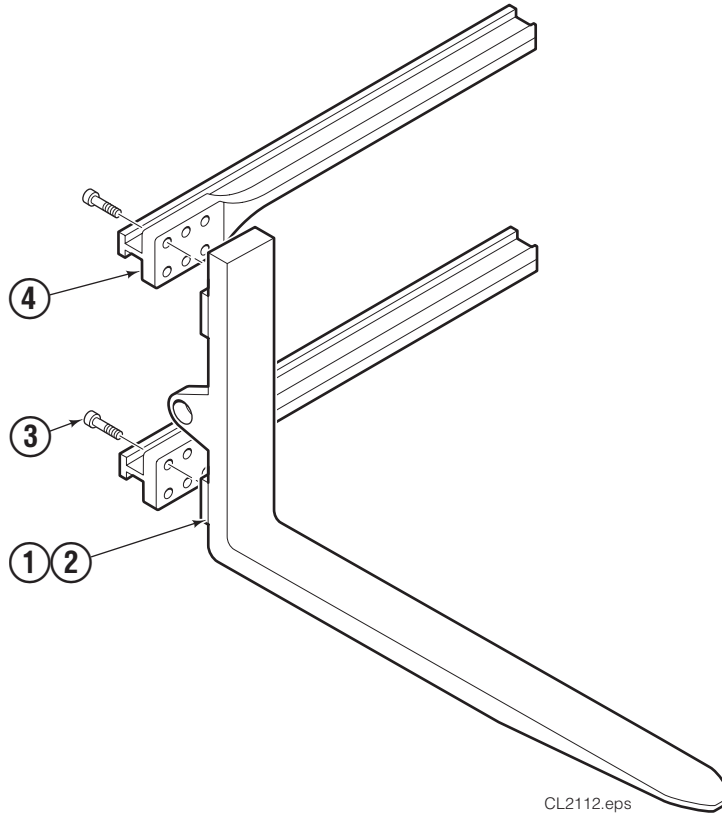
● See Restrictor Cartridge page for parts breakdown.

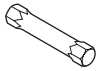
Restrictor Cartridge



REF	QTY	PART NO.	DESCRIPTION
		667609	Restrictor Cartridge
1	1	2701	O-Ring
2	1	667611	Plunger
3	1	2841	O-Ring
4	1	667610	Plug - Special
5	1	5716	Jam Nut

Fork Group

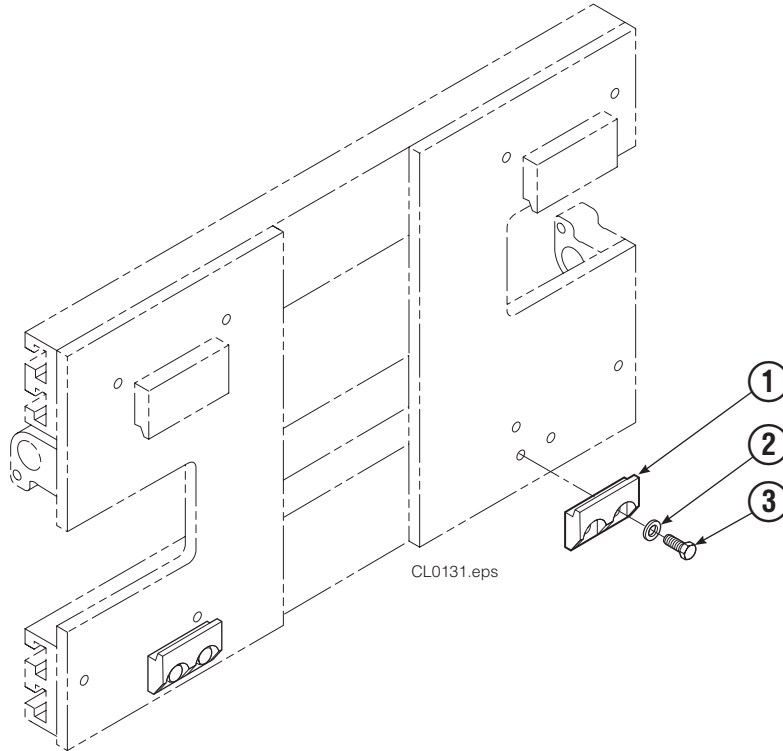


ARM CAPSCREW EXTENSION TOOL Required for Proper Torquing of Capscrews		
	35D/50D	667699

45D			
REF	QTY	PART NO.	DESCRIPTION
		323305	Fork Group ♦
1	1	323306	Fork Weldment - LH
2	1	323307	Fork Weldment - RH
3	24	607103	Capscrew, 3/4 x 1.50
4	4	667905	Arm Bar

♦ Includes items 1 – 3 only.
Reference: S-7910, S-7911.

Bolt-On Mounting Group



Class II			
REF	QTY	PART NO.	DESCRIPTION
		678934	Mounting Group
1	2	675968	Lower Hook
2	4	667225	Washer, 5/8
3	4	667369	Capscrew, 5/8 x 1.25

Do you have questions you need answered right now? Call your nearest Cascade Parts Department. Visit us online at www.cascorp.com

**Cascade Corporation
U.S. Headquarters**
2201 NE 201st
Fairview, OR 97024-9718
Tel: 800-CASCADE (227-2233)
FAX: 888-329-8207

Cascade Canada Inc.
5570 Timberlea Blvd.
Mississauga, Ontario
Canada L4W-4M6
Tel: 905-629-7777
FAX: 905-629-7785

Cascade GmbH
Niederwippekühl 1
58579 Schalksmühle
Germany
Tel: 02355-50900
FAX: 02355-509020

Cascade Finland
A. Petreliuksenkatu 3
01370 Vantaa
Finland
Tel: 09-8361925
FAX: 09-8361935

**Cascade N.V.
Benelux Sales and Service**
Damsluisweg 56
PO Box 3009
1300 El Almere
The Netherlands
Tel: 036-5492950
FAX: 036-5492974

Cascade Kenhar Ltd.
3 Kelbrook Road
Parkhouse Ind. Estate
Openshaw,
Manchester M11 2DD
England
Tel: 0161-438-4020
FAX: 0161-438-4055

**Sales Scotland
Macade Systems Ltd.**
18 Melford Road
Righead Ind. Estate
Bellshill ML4 3LR
Scotland
Tel: 01698-845777
FAX: 01698-845888

Cascade (Africa) Pty. Ltd.
PO Box 625, Isando 1600
60A Steel Road
Sparton, Kempton Park
South Africa
Tel: 27-11-975-9240
FAX: 27-11-394-1147

Cascade Scandinavia AB
Hammarvägen 10
PO Box 124
S-56723 Vaggeryd
Sweden
Tel: 039-336950
FAX: 039-336959

**Cascade France
S.A.R.L. MHP**
1D Rue De Charaintru BP 18,
91360 Epinay-Sur-Orge
France
Tel: 01-6454-7500
FAX: 01-6454-7501

Cascade Hispania S.A.
Carrer 5, Sector C
Zona Franca Duanera
Poligono de la Zona Franca
08040 Barcelona, Spain
Tel: 93-264-07-30
FAX: 93-264-07-31

Cascade Italia S.R.L.
Via Dell'Artigianato 1
37050 Vago di Lavagno (VR)
Italy
Tel: 39-045-8989111
FAX: 39-045-8989160

Movimenta Lda.
Parque Industrial
Vale do Alecrim, Lote 108
2950-403 Palmela
Portugal
Tel: 351-212387340
FAX: 351-212387349

**Sales Switzerland
Fahrzeugbedarf**
8810, Horgen
Switzerland
Tel: 01-7279797
FAX: 01-7279798

Sales Poland
Targowa 35/61
03-728 Warszawa
Tel: 022-619 00 49
FAX: 022-619 00 49
Mobile Tel: 0501-27 29 55

Sales Russia
EMCG Material Handling
Equipment
Moscow
Tel: 095-795-2400
FAX: 095-795-2475
Email: emcg@emcg.ru

Cascade Japan Ltd.
5-5-41,
Torikai Kami
Settsu, Osaka
Japan, 566
Tel: 81-726-53-3490
FAX: 81-726-53-3497

Cascade Korea
121B 9L Namdong Ind.
Complex, 691-8 Gojan-Dong
Namdong-Ku
Inchon, 405-310 Korea
Tel: 82-32-821-2051
FAX: 82-32-821-2055

Cascade Australia
1445 Ipswich Road
Rocklea, QLD 4107
Australia
Tel: 1-800-227-223
FAX: 617-3373-7333

Cascade New Zealand
15 Ra Ora Drive
East Tamaki, Auckland
New Zealand
Tel: 64-9-273-9136
FAX: 64-9-273-9137

Cascade-Xiamen
No. 668 Yangguang Rd.
Xinyang Industrial Zone
Haicang, Xiamen City
Fujian Province
P.R. China 361026
Tel: 86-592-651-2500
FAX: 86-592-651-2571

**Sunstream Industries
Pte Ltd.**
No. 3 Tuas Link 1
2263
Singapore
Tel: 65-6863-3488
FAX: 65-6863-1368

**Cascade do Brasil
Distribuidora de Garras
e Garfos LTDA**
R. Joao Guerra, 134
Macuco-Santos
Sao Paulo - SP
Brasil 11015-130
Tel: 55-11-5016-2484
Fax: 55-11-5013-2809

