



Parts Manual

Model 50D Bale Clamp

Serial Number 50D-BCS-65AR0

cascade[®]
corporation

For Technical Assistance call: 800-227-2233, Fax: 888-329-8207

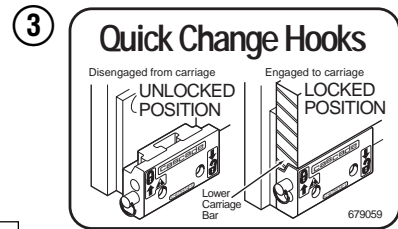
To Order Parts call: 888-227-2233, Fax: 888-329-0234

OR

Write: Cascade Corporation, P.O. Box 20187, Portland, OR 97220

Internet: www.cascorp.com

Safety Decals



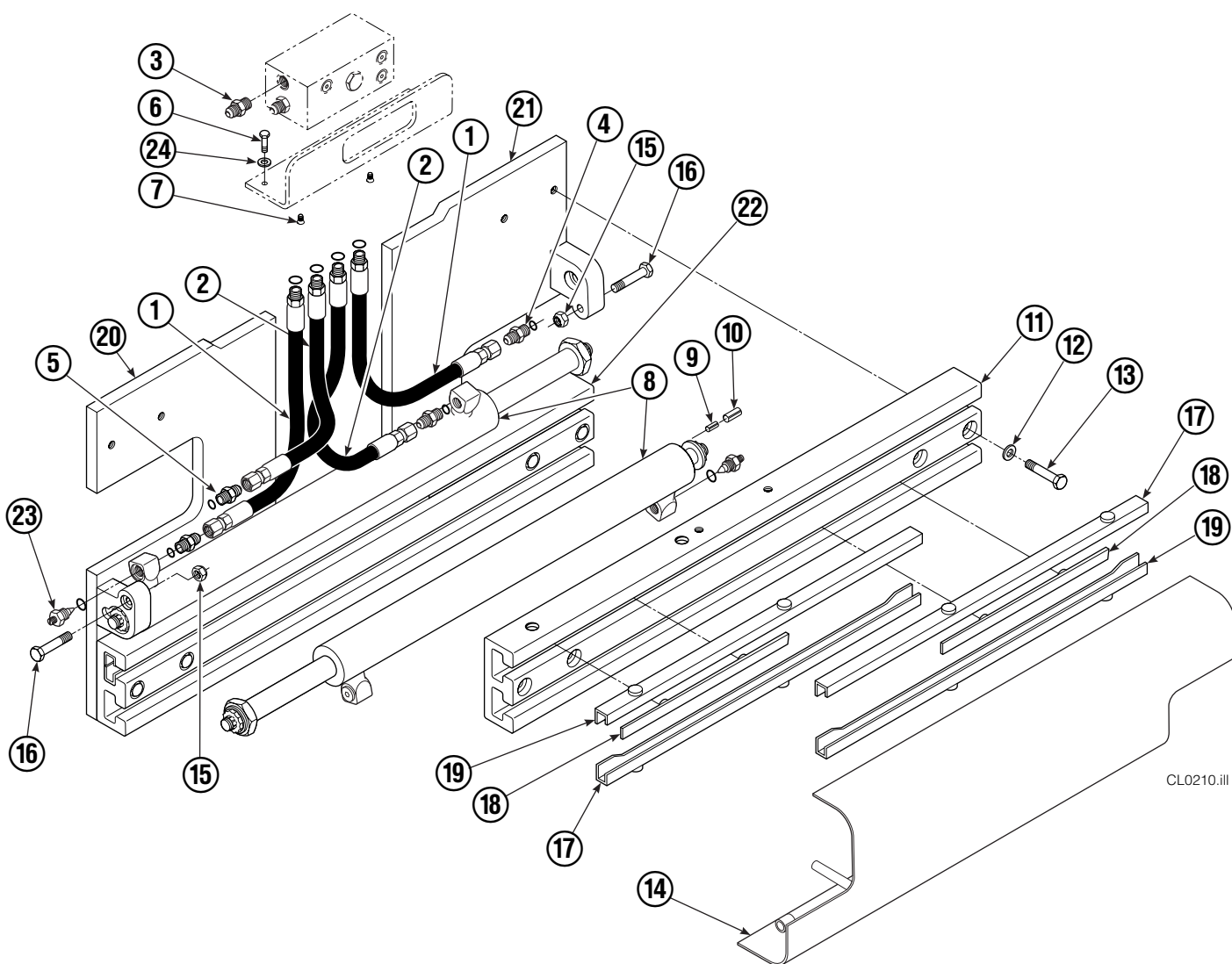
REF	QTY	PART NO.	DESCRIPTION
1	1	679150	No Step Decal
2	2	665595	No Hand Hold Decal
3	1	679059	Quick Change Hook Decal

Publications



PART NO.	DESCRIPTION
669224	Service Manual
672944	Operators Guide
668987	Installation Instructions
680664	Servicing Cascade Cylinders-VHS
679929	Tool Catalog
673964	Literature Index Order Form

Base Unit Group



CL0210.ill

50D							
REF	QTY	PART NO.	DESCRIPTION	REF	QTY	PART NO.	DESCRIPTION
		681232	Base Unit Group	13	8	667644	Capscrew
1	2	210436	Hose, 24.75 in.	14	1	667664	Bumper
2	2	210441	Hose, 21.25 in.	15	2	665707	Nut, 1/2 in. ID
3	1	601377	Fitting, 8-8	16	2	640699	Capscrew, 1/2 NC x 2.75
4	2	686369	Fitting	17	4	668904	Bearing
5	2	611288	Fitting, 6-8	18	4	667663	Bearing
6	2	671222	Capscrew, 3/8 NC x .75	19	4	668905	Bearing
7	2	4750	Capscrew, 3/8 NC x .75	20	1	680626	Mounting Plate - RH
8	2	667666	Cylinder ▲	21	1	680625	Mounting Plate - LH
9	2	7862	Roll Pin - Inner	22	1	674167	Frame - Lower
10	2	7961	Roll Pin - Outer	23	2	667609	Restrictor Cartridge ●
11	1	667659	Frame - Upper	24	2	6230	Washer
12	8	667225	Washer				

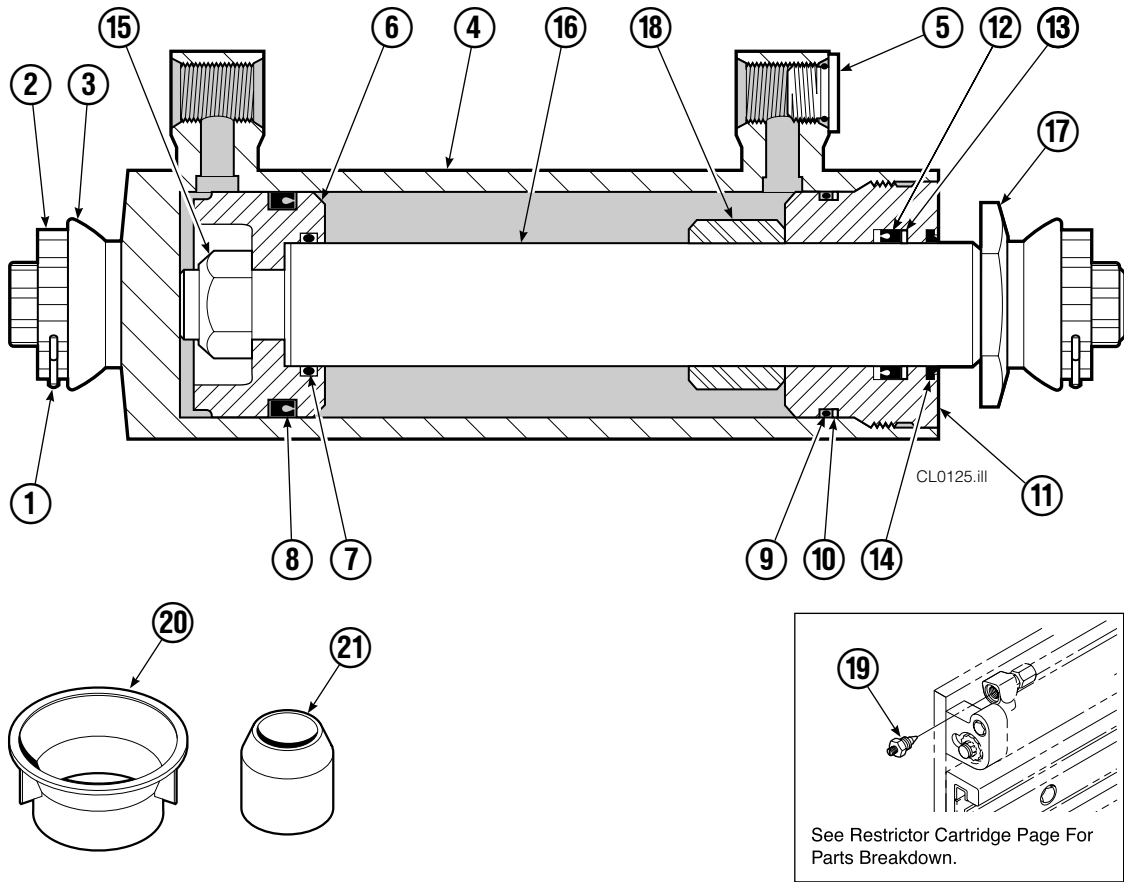
▲ See Cylinder page for parts breakdown.

● Not included in Base Unit Group.

See Restrictor Cartridge page for parts breakdown.

Reference: SK-5302, Common Parts Group 680839.

Cylinder



50D			
REF	QTY	PART NO.	DESCRIPTION
		667666	Cylinder Assembly
1	2	6511	■ Cotter Pin
2	2	667667	■ Nut Retainer
3	2	667668	■ Nut
4	1	553760	Shell
5	1	602580	Fitting
6	1	558402	Piston
7	1	2722	▲ O-Ring
8	1	557376	▲ Seal
9	1	2791	▲ O-Ring
10	1	615134	▲ Back-Up Ring
11	1	667675	Retainer
12	1	662451	▲ Seal
13	1	638246	▲ Nylon Ring
14	1	564930	▲ Wiper
15	1	561012	Nut
16	1	667670	Rod
17	1	667676	Washer
18	1	—	Spacer
19	1	667609	Restrictor Cartridge ●
20	1	671049	▲ Seal Loader, Piston
21	1	671052	▲ Seal Loader, Retainer
		667723	Service Kit

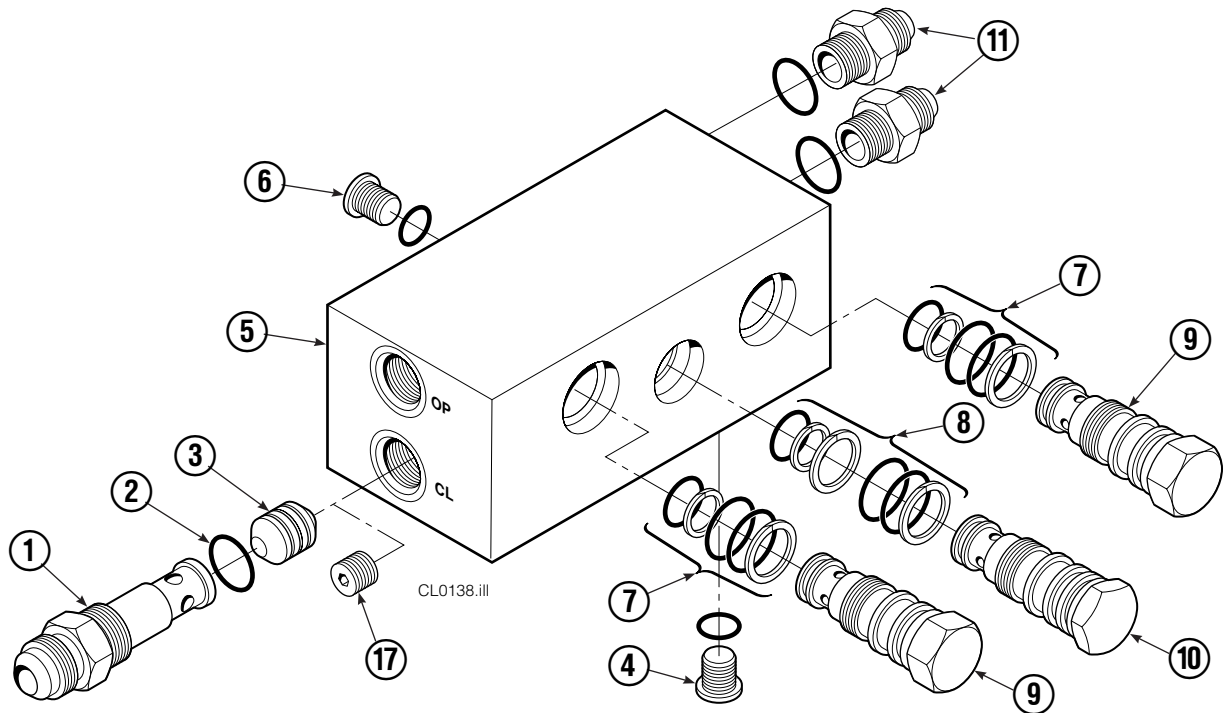
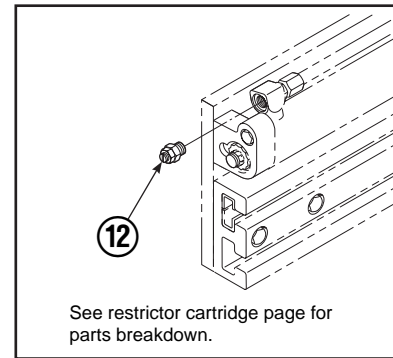
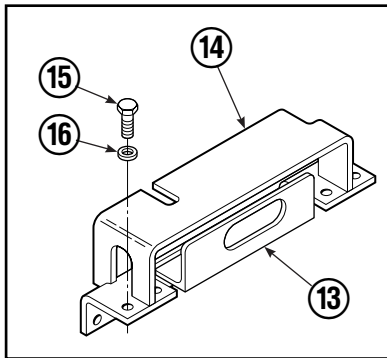
- ▲ Included in Service Kit 667723.
 - Included in Nut Service Kit 668925.
 - Not included in Cylinder Assembly.
- Reference: S-7666.

Restrictor Cartridge



REF	QTY	PART NO.	DESCRIPTION
		667609	Restrictor Cartridge
1	1	2701	O-Ring
2	1	667611	Plunger
3	1	2841	O-Ring
4	1	667610	Plug - Special
5	1	5716	Jam Nut

Valve Group Sideshift



REF	QTY	PART NO.	DESCRIPTION	REF	QTY	PART NO.	DESCRIPTION
		668915	Valve Group – Sideshift	10	1	678270	Check Valve – VPO
		668865	Check Valve – Sideshift ▲	11	2	604511	Fitting, 6-6
1	1	667490	Special Fitting	12	2	667609	Restrictor Cartridge
2	1	2841	O-Ring ●	13	1	669999	Bracket
3	1	667471	Spool	14	1	670002	Guard – 25D/35D
4	3	609455	Fitting, 5	14	1	670000	Guard – 50D
5	1	668866	Valve Body	14	1	200812	Guard – 40D
6	1	604510	Fitting, 6	15	4	677828	Capscrew, 1/2 NC x 1.00
7	2	667516	Service Kit ●	16	4	667910	Washer
8	1	661347	Service Kit ●	17	1	676343	Regeneration Elimination Plug ■
9	2	659058	Check Valve – PO			668868	Service Kit

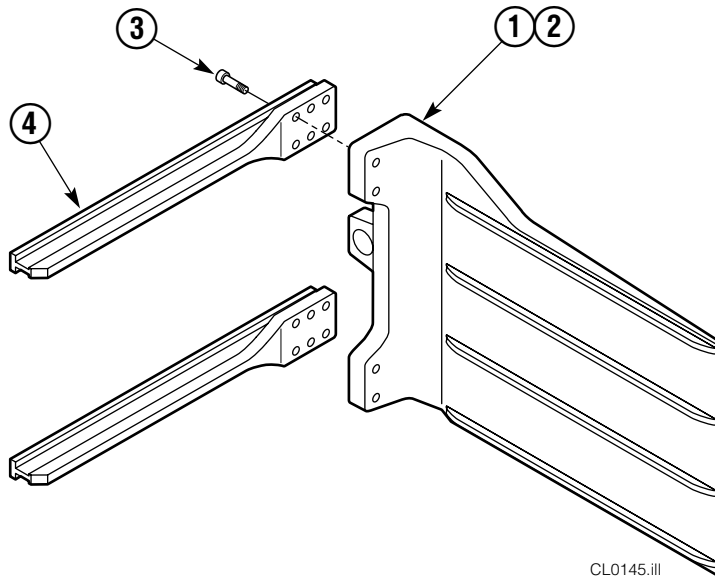
▲ Includes items 1– 10 only.

● Included in Service Kit 668868.

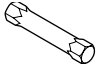
■ For eliminating regeneration circuit only. See Tech. Bulletin 121.

Reference: SK-5302, Valve Guard Groups 670005, 670006.

Bale Arms



CL0145.iii

ARM CAPSCREW EXTENSION TOOL Required for Proper Torquing of Capscrews		
	35D/50D	667669

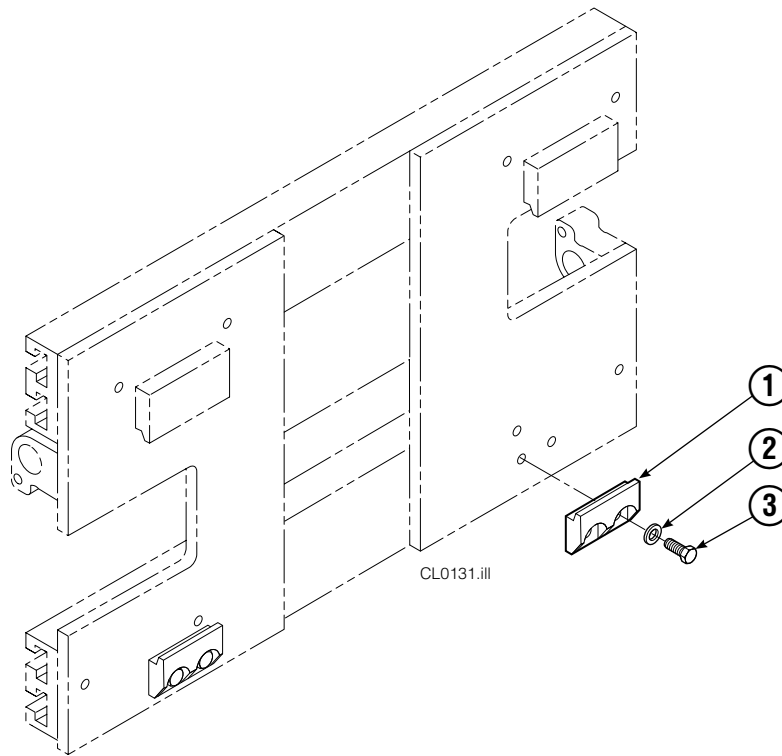
Left Hand Assembly Shown

50D			
REF	QTY	PART NO.	DESCRIPTION
		680413	Bale Arm Assembly – LH ▲
		680414	Bale Arm Assembly – RH ●
1	1	680421	Bale Arm – LH
2	1	680429	Bale Arm – RH
3	12	607105	Capscrew, 3/4 NC x 2.00
4	4	667700	Arm Bar

▲ Includes items 1 & 3.

● Includes items 2 & 3.

Bolt-On Mounting Group



Class II			
REF	QTY	PART NO.	DESCRIPTION
		678934	Lower Hook Group
1	2	675968	Lower Hook
2	4	667225	Washer, 5/8 in. ID
3	4	667369	Capscrew, 5/8 NC x 1.25 GR 5

Reference: S-3197.

Mounting Plates with Bolt-On Upper Hooks



REF	QTY	PART NO.	DESCRIPTION
1	1	680625	Mounting Plate Assembly-LH ●
2	1	680626	Mounting Plate Assembly-RH ■
3	1	6002330	Upper Hook-LH
4	1	210491	Upper Hook-RH
5	4	768577	Capscrew, M20 x 35

● Includes items 3 and 5.

■ Includes items 4 and 5.

Do you have questions you need answered right now? Call your nearest Cascade Parts Department. Visit us online at www.cascorp.com

Cascade Corporation
2501 Sheridan Avenue
Springfield, OH 45505
Tel: 888-CASCADE (227-2233)
FAX: 888-329-0234

Cascade Canada Inc.
5570 Timberlea Blvd.
Mississauga, Ontario
Canada L4W-4M6
Tel: 905-629-7777
FAX: 905-629-7785

Cascade GmbH
D-41199 Monchengladbach
Klosterhofweg 52
Germany
Tel: 49-216-668230
FAX: 49-216-6682323

Cascade Finland
Albert Petreliuksenkatu 3
01370 Vantaa
Finland
Tel: 358-9-836-1925
FAX: 358-9-836-1935

**Cascade N.V.
European Headquarters**
P.O. Box 3009
1300 El Almere
Damluisweg 56
1332 ED Almere
The Netherlands
Tel: 31-36-5492911
FAX: 31-36-5492964

**Cascade N.V.
Benelux Sales and Service**
P.O. Box 3009
1300 El Almere
Damluisweg 56
1332 ED Almere
The Netherlands
Tel: 31-36-5492950
FAX: 31-36-5492974

Cascade (UK) Ltd.
15, Orgreave Crescent
Dore House Industrial Estate
Handsworth
Sheffield S13 9NQ
England
Tel: 742-697524
FAX: 742-695121

Cascade Scandinavia AB
Box 124
Hammarvägen 10
567 23 Vaggeryd
Sweden
Tel: 42-0-393-36950
FAX: 46-0-393-36959

Cascade Norway
Østerliveien 37A
1153 Oslo
Norway
Tel: 47-22-743160
FAX: 47-22-743157

Cascade France S.A.R.L.
1D Rue De Charaintru
BP 18, 91360 Epinay-Sur-Orge
Morangis Cedex, France
Tel: 33-1- 64547500
FAX: 33-1-64547501

Cascade Hispania S.A.
Carrer 5 Sector C
Zona Franca Duanera
Poligono de la Zon Franca
08040 Barcelona, Spain
Office No. 256
Tel: 93-264-07-30
FAX: 93-264-07-31

Cascade Japan Ltd.
5-5-41,
Torikai Kami
Settsu, Osaka
Japan, 566
Tel: 81-726-53-3490
FAX: 81-726-53-3497

Cascade Korea
108B, Namdong Ind Complex
658-3 Gojan-Dong
Namdong-Gu
Inchon, 405-310 Korea
Tel: 82-32-821-2051
FAX: 82-32-821-2055

Cascade Australia
1445 Ipswich Road
Rocklea, QLD 4106
Australia
Tel: 1-800227-223
FAX: (07) 3373-7333

Cascade New Zealand
15 Ra Ora Drive
East Tamaki, Auckland
New Zealand
Tel: 9-273-9136
FAX: 9-273-9137

Cascade (Africa) Pty. Ltd.
P.O. Box 625, Isando 1600
60A Steel Road
Sparton, Kempton Park
South Africa
Tel: 27-11-975-9240
FAX: 27-11-394-1147

Cascade-Xiamen
No. 668 Yangguang Rd.
Xinyang Industrial Zone
Haicang, Xiamen City
Fujian Province
P.R. China 361026
Tel: 86-592-651-2500
FAX: 86-592-651-2571

**Cascade (Singapore)
Trading Co.**
Four Seasons Park
Autumn Block - Apt. 1802
12 Cuscaden Walk
Singapore
Tel: 65-834-1935
FAX: 65-834-1936

