



Parts Manual

40D Pivot Arm Paper Roll Clamp

Serial Numbers 665849 through 665868

Manual Number 673921

cascade[®]

Cascade is a Registered Trademark of Cascade Corporation

HOW TO USE THIS MANUAL

INTRODUCTION

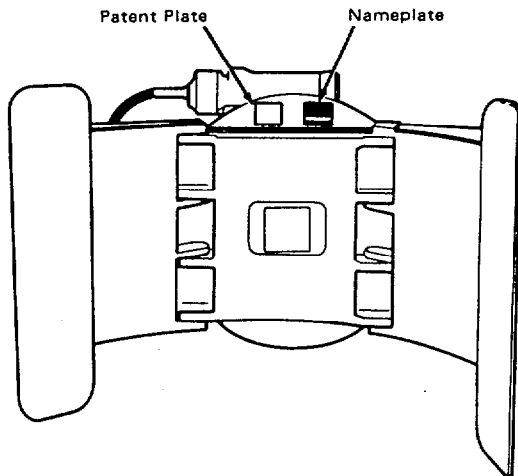
This manual illustrates service replacement parts for standard production 40D Cascade Pivot Arm Paper Roll Clamps.

The parts manuals for attachments designed by the Application Engineering Department have an S.E.L. designation on the cover of the manual. A standard attachment manual is not interchangeable with an S.E.L. Manual since it does not reflect the special engineering of an S.E.L. attachment.

To locate a replacement part for a standard attachment, complete the following steps.

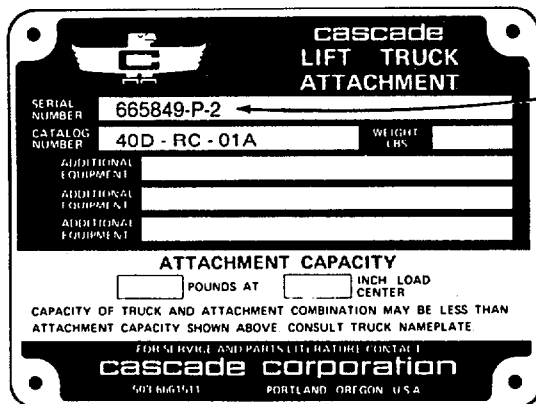
1. Locate the Nameplate

The nameplate is attached to the front of the rotator frame. If the nameplate is missing, all necessary information is stamped into the frame at the same location.



2. Note the Serial Number

Record the alpha-numeric serial number.



3. Refer to the Serial Number Index

The Serial Number Index on page i contains a listing of serial numbers, beginning with the lowest number first.

Locate your serial number in this Index.

The columns to the right of the serial number will give you the correct page number for specific parts groups.

EXAMPLE

The nameplate gives a serial number of 665849.

The columns to the right of this serial number in the Index will give you the correct page for a specific parts group.

For instance, the Valve Group for this clamp is on page 3 and the Mounting Group is on page 8.

4. Ordering

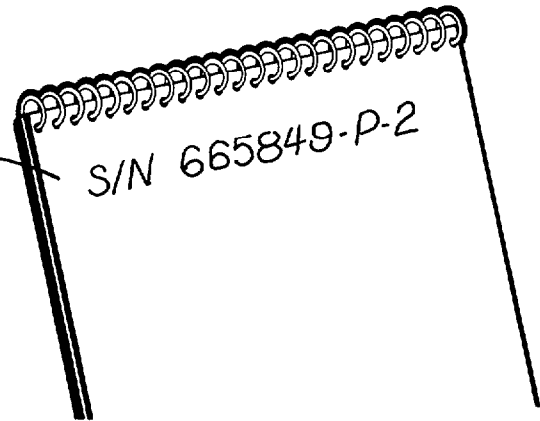
Retail Customers. Cascade Service Replacement Parts and Service Literature are sold through authorized lift truck dealers. To order, contact the lift truck dealer of your choice.

Lift Truck Dealers. To order Service Replacement Parts or Service Literature, contact:

Cascade Parts Depot
2501 Sheridan Avenue
P.O. Box 360
Springfield, Ohio 45505
(513) 322-1199

5. For Your Convenience

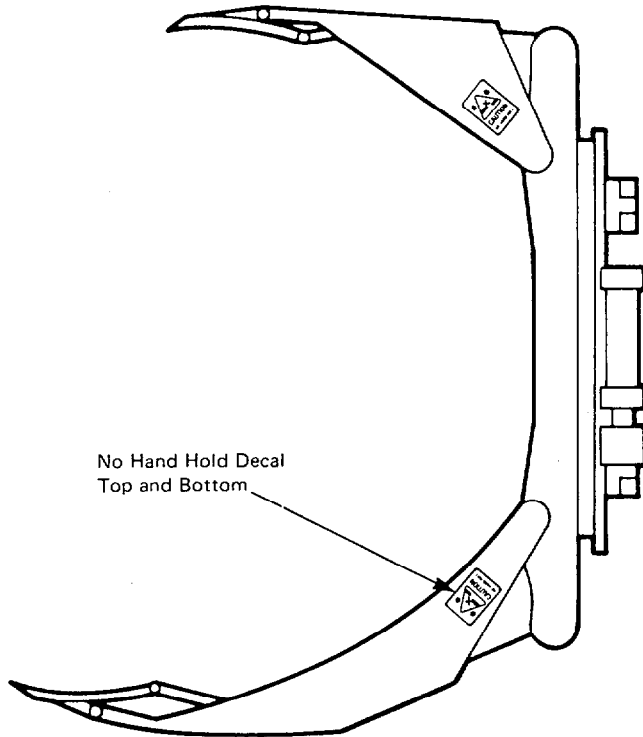
... we have supplied a parts ordering log located on the last page. Use this log as a permanent record of parts ordered from this manual.



Serial Number Index

Serial Number (U.I. No.)	Model	Frame Group Page	Drive Group Page	Check Valve Page	Solenoid Adaption Page	Revolving Connection Page	Long Arm Cylinder Page	Short Arm Cylinder Page	Long Arm Page	Short Arm Page	Mounting Group Page
665849	40D	1	2	3	3A	4	5	5A	6	7	8
665850	40D	1	2	3	3A	4	5	5A	6	7	8
665851	40D	1	2	3	3A	4	5	5A	6	7	8A
665852	40D	1	2	3	3A	4	5	5A	6	7	8A
665853	40D	1	2	3	3A	4	5	5B	6	7	8
665854	40D	1	2	3	3A	4	5	5B	6	7	8
665855	40D	1	2	3	3A	4	5	5B	6	7	8A
665856	40D	1	2	3	3A	4	5	5B	6	7	8A
665861	40D	1	2	3	3A	4	5	5A	6	7	8
665862	40D	1	2	3	3A	4	5	5A	6	7	8
665863	40D	1	2	3	3A	4	5	5A	6	7	8A
665864	40D	1	2	3	3A	4	5	5A	6	7	8A
665865	40D	1	2	3	3A	4	5	5B	6	7	8
665866	40D	1	2	3	3A	4	5	5B	6	7	8
665867	40D	1	2	3	3A	4	5	5B	6	7	8A
665868	40D	1	2	3	3A	4	5	5B	6	7	8A

Safety Decal



QTY.	PART NO.	DESCRIPTION
4	656038	No Hand Hold Decal

Recommended Spare Parts List

40D Pivot Arm Paper Roll Clamp

Group & Description	40D	Attachments Serviced	
		1 - 5	6 - 19

FRAME GROUP

Pin	651093	0	4
Bushing	629315	0	8
Shim	662206	4	14

SHORT & LONG ARM GROUP

Pin	665801	2	4
Arm	●	0	0
Contact Plate	667873	0	4

DRIVE GROUP

Pinion	666263	0	1
Worm	655597	0	1
Bearing	13663	2	2
Worm Gear	625430	1	1
Bearing	13661	1	1
Bearing	13662	1	1
Snap Ring	7204	2	2
O-Ring (Cover Seal)	2833	1	1
Spring Washer Service Kit	656489	0	2

CYLINDERS

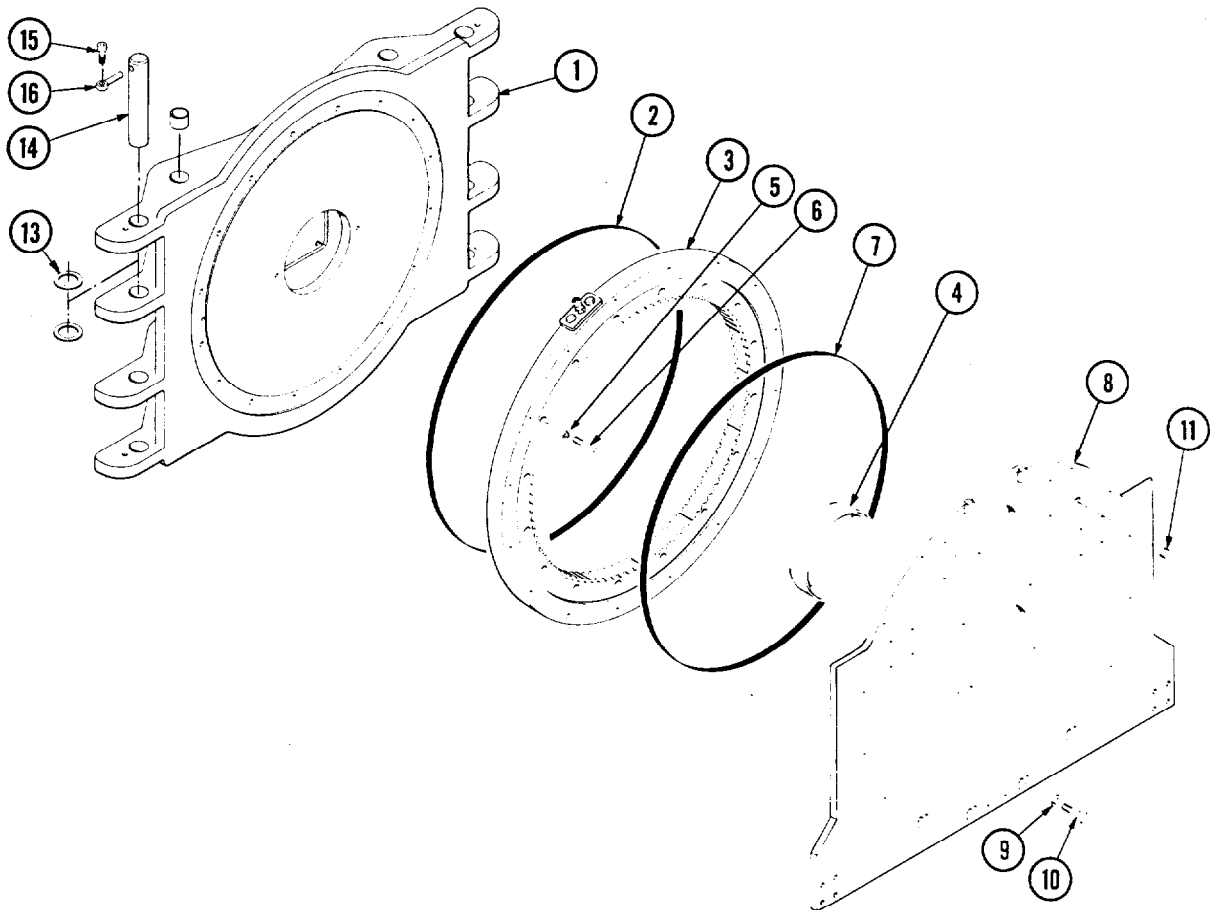
Long Arm Service Kit	660955	2	4
Short Arm Service Kit	660954	1	2
Long Arm Cylinder	659794	0	1
Short Arm Cylinder	659793	0	1

REVOLVING CONNECTION

Revolving Conn.	655576	0	0
Valve Cartridge	661816	2	4
Cartridge Service Kit	656223	1	2
Shaft Service Kit	651876	1	2

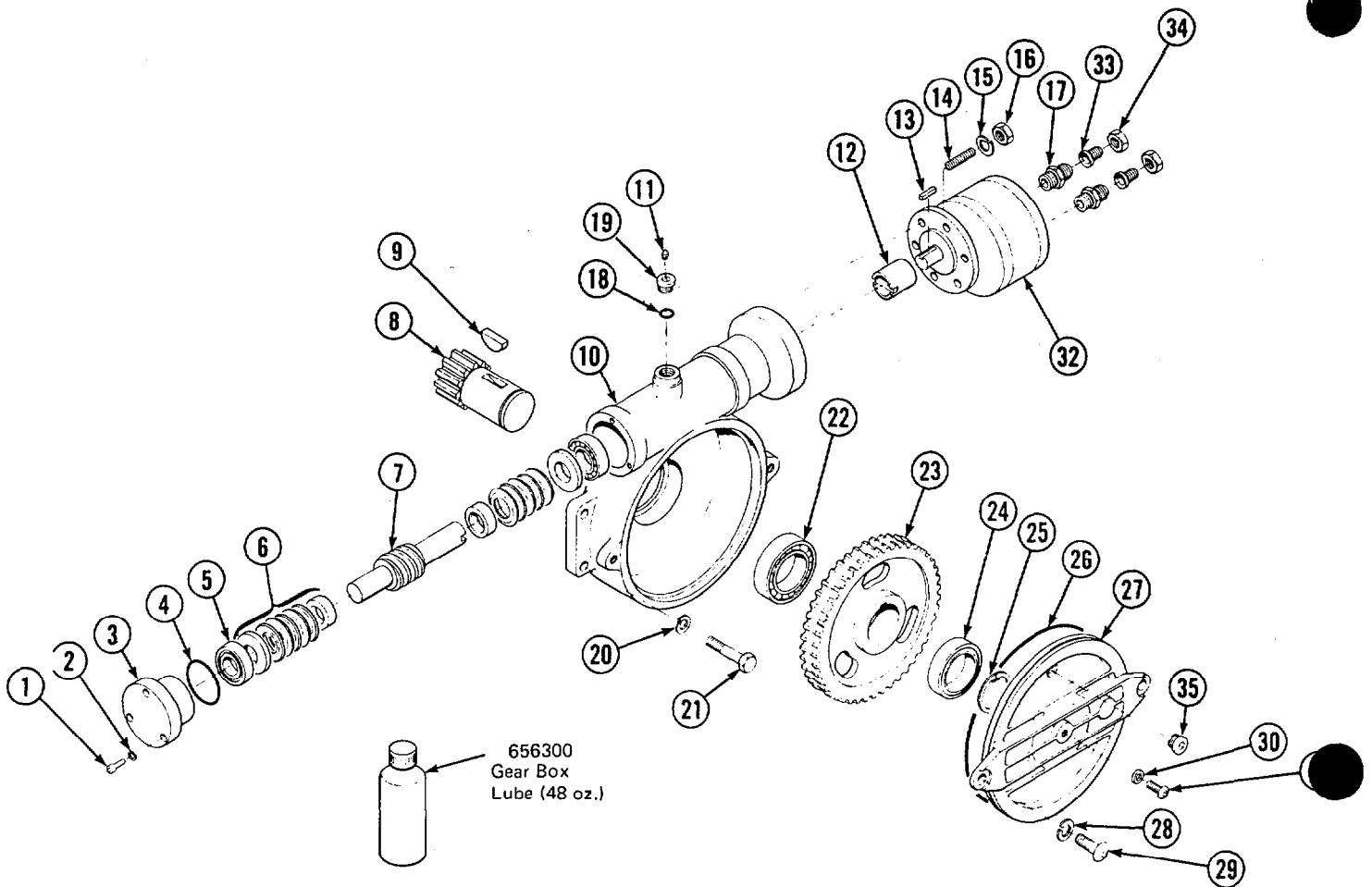
- See Serial Number Index.

Rotator Frame



40D			
REF. NO.	QTY.	PART NO.	DESCRIPTION
		665762	Revolving Frame Assembly
1	1	665797	Frame—Revolving
2	1	622112	Seal
3	1	656332	Bearing Assembly
4	1	631264	Seal
5	16	6374	Lockwasher
6	16	4506	Cap screw
7	1	622123	Seal
8	1	633684	Base Plate
9	16	6290	Lockwasher
10	16	636407	Cap screw
11	1	6605	Plug
12	16	629315	Bushing
13	8	662206	Shim
14	4	651093	Pin
15	4	665784	Shoulder Bolt
16	4	651091	Eye Bolt

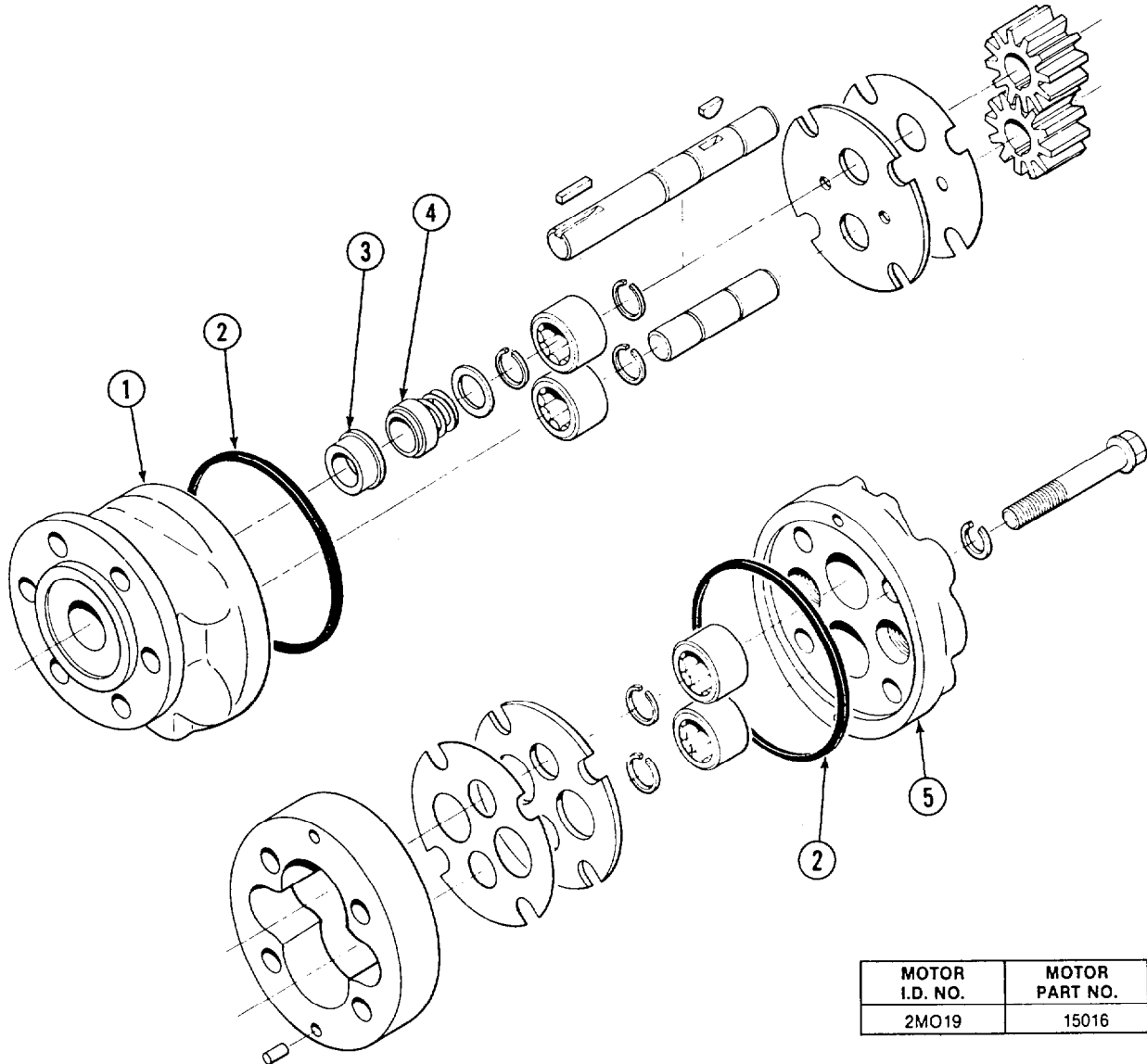
Rotator Drive Group



REF. NO.	QTY.	PART NO.	DESCRIPTION	REF. NO.	QTY.	PART NO.	DESCRIPTION
		642945	Drive Grp. w/2mo19 Motor	18	1	643375	O-Ring
		656622	Drive Assembly	19	1	668154	Plug
1	3	4441	Capscrew	20	4	6290	Lockwasher
2	3	6370	Lockwasher	21	4	3654	Capscrew
3	1	669211	End Cap	22	1	13661	Bearing
4	1	2787	O-Ring	23	1	625430	Gear
5	2	13663	Bearing	24	1	13662	Bearing
6	1	656489	Spring Washer Service Kit	25	1	7204	Snap Ring
7	1	655597	Worm	26	1	2883	O-Ring
8	1	666263	Pinion	27	1	668143	Cover
9	1	13654	Key	28	2	6292	Lockwasher
10	1	625429	Case	29	2	4884	Capscrew
11	1	644010	Relief Fitting	30	1	603680	Seal
*12	1	655598	Coupling	31	1	4874	Capscrew
13	1	625434	Key	32	1	15016	Motor
14	6	610392	Studs	33	2	2671	Adapter
15	6	6288	Lockwasher	34	2	2618	Nut
16	6	5702	Nut	35	1	609455	Plug
17	2	2313	Male Connector				

* Use only with cushion rotator drive group (spring loaded worm).

Rotator Drive Motor Hydreco Model 2MO



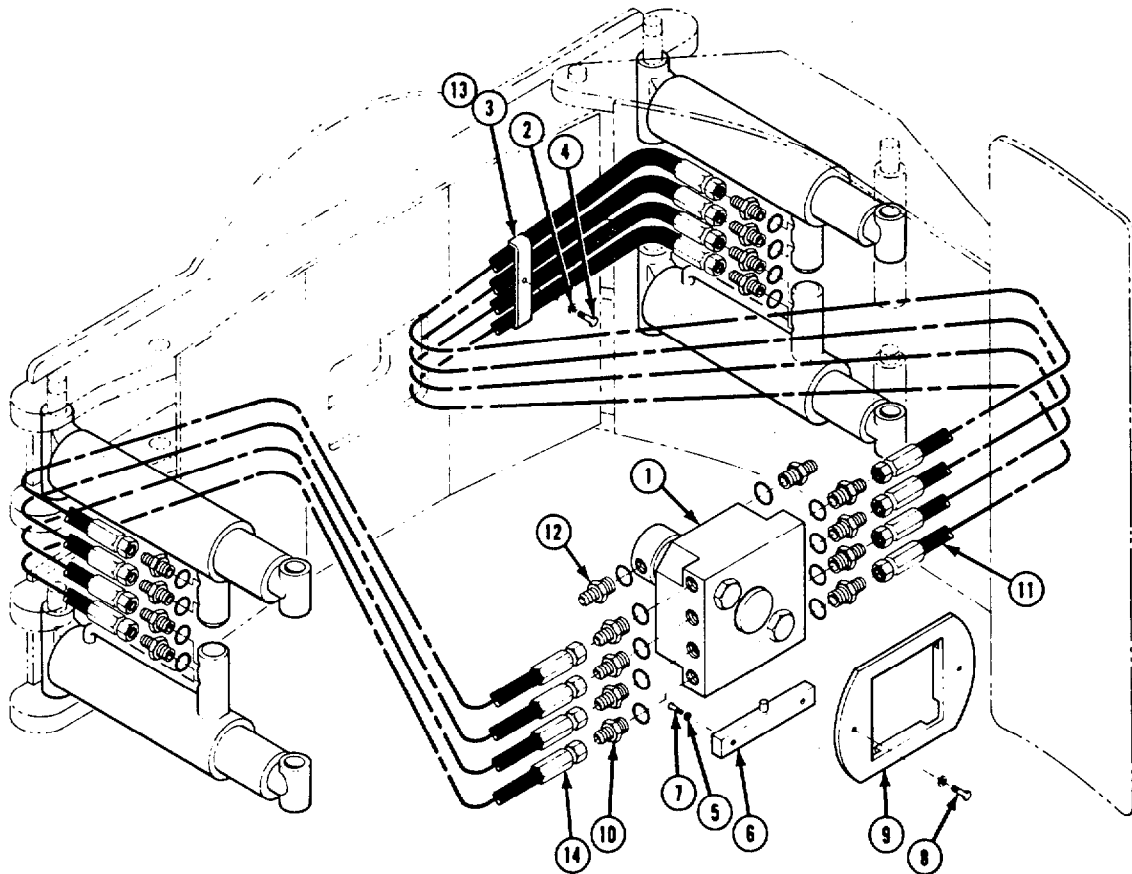
MOTOR I.D. NO.	MOTOR PART NO.
2MO19	15016

REF. NO.	QTY.	PART NO.	DESCRIPTION
1	1	660020	Adapter
2	2	•	O-Ring
3	1	•	Seal Seat
4	1	•	Seal Assembly
5	1	660024	Seal Kit

• Included in Seal Kit 660024

Cascade supplies replacement parts for the adapter, cover, and seal kit only. If additional parts are defective, the complete motor must be replaced.

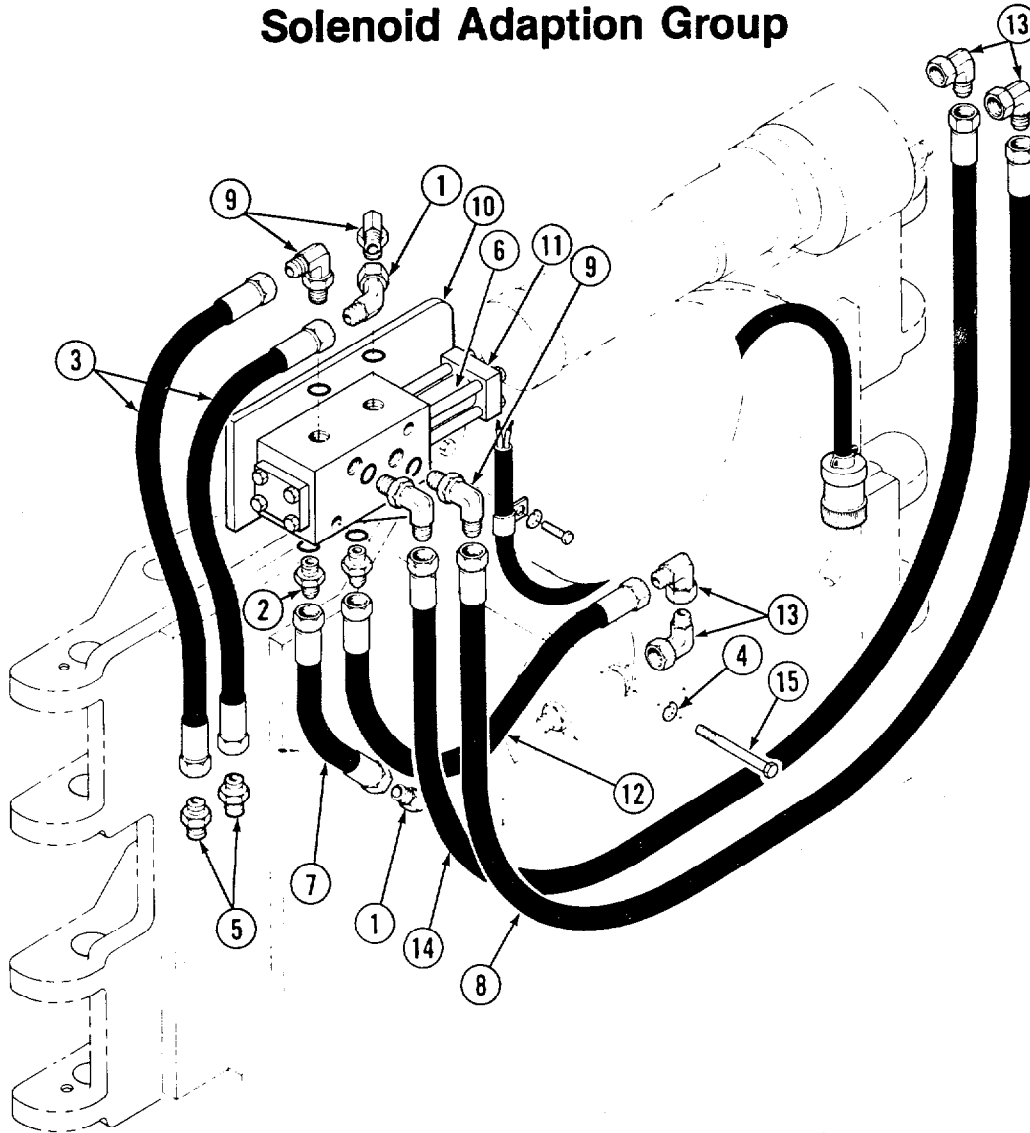
Check Valve Group



40D				
REF. NO.	QTY.	Powered Short Arm	Fixed Short Arm	DESCRIPTION
		PART NO.	PART NO.	
		665830	665715	Check Valve Group
1	1	655576	655576	Revolving Connection
2	1	6288	6288	Lock Washer
3	1	665114	665114	Clamp—Hose
4	1	3609	3609	Capscrew
5	4	6288	6288	Lockwasher
6	1	661582	661582	Bar—Keeper
7	2	3604	3604	Capscrew
8	2	3599	3599	Capscrew
9	1	645599	645599	Retainer
10	16	604511	—	Connector—Straight
	8	—	604511	Connector—Straight
11	4	603875	603875	Hose
12	2	601377	601377	Connector—Straight
13	1	645598	645598	Spacer
14	4	651022	—	Hose
	4	—	• 604510	Plug

• Used in place of straight connectors on fixed short arm models.

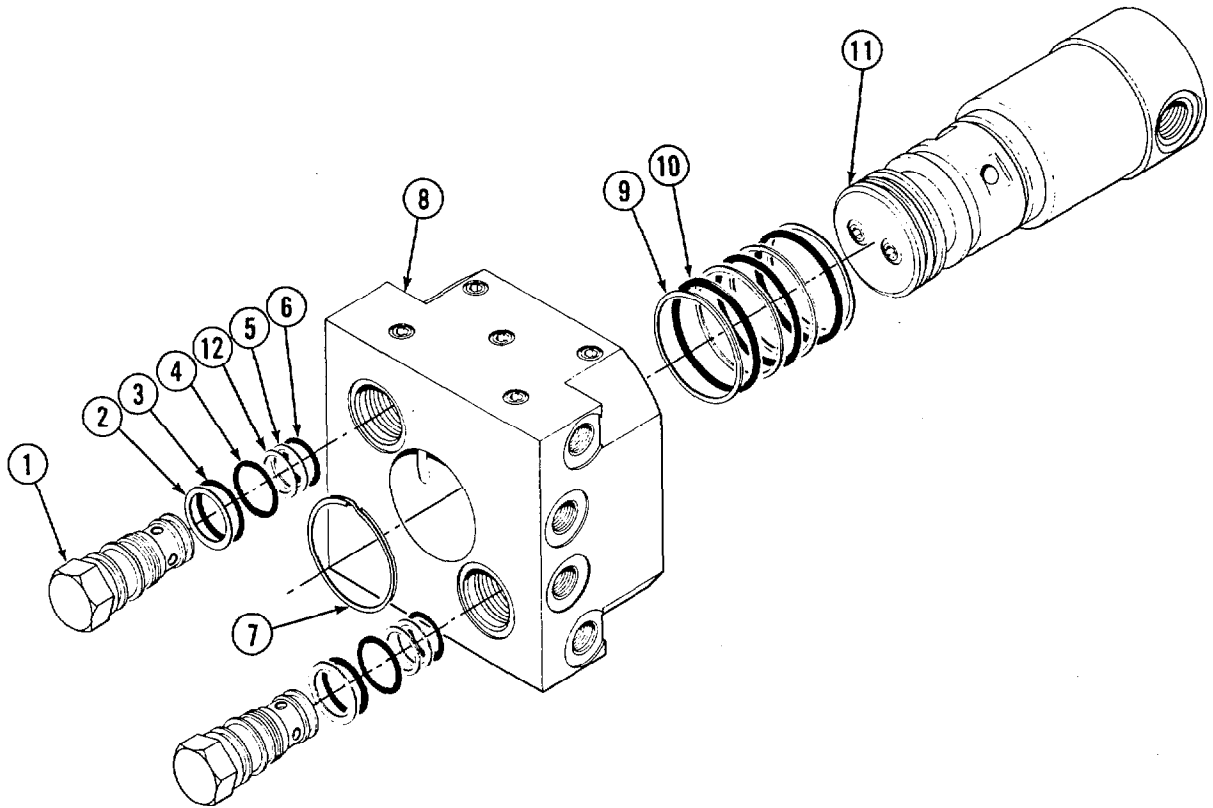
Solenoid Adaption Group



40D			
REF. NO.	QTY.	PART NO.	DESCRIPTION
		650419	Solenoid Adaption Group
1	2	605230	Elbow
2	2	604511	Connector
3	2	2121	Hose
4	2	6286	Lockwasher
5	2	611288	Connector
6	1	611458	Coil - 12V
	1	611461	Coil - 36V
	1	614097	Coil - 48V
	1	614098	Coil - 72V
7	1	2106	Hose
8	1	612804	Hose
9	4	601676	Elbow
10	1	631475	Plate
11	1	614089	Solenoid Valve - 12V
	1	614092	Solenoid Valve - 36V
	1	614093	Solenoid Valve - 48V
	1	614094	Solenoid Valve - 72V
12	1	2110	Hose
13	4	2680	Elbow
14	1	2149	Hose
15	2	3562	Capscrew



Revolving Connection



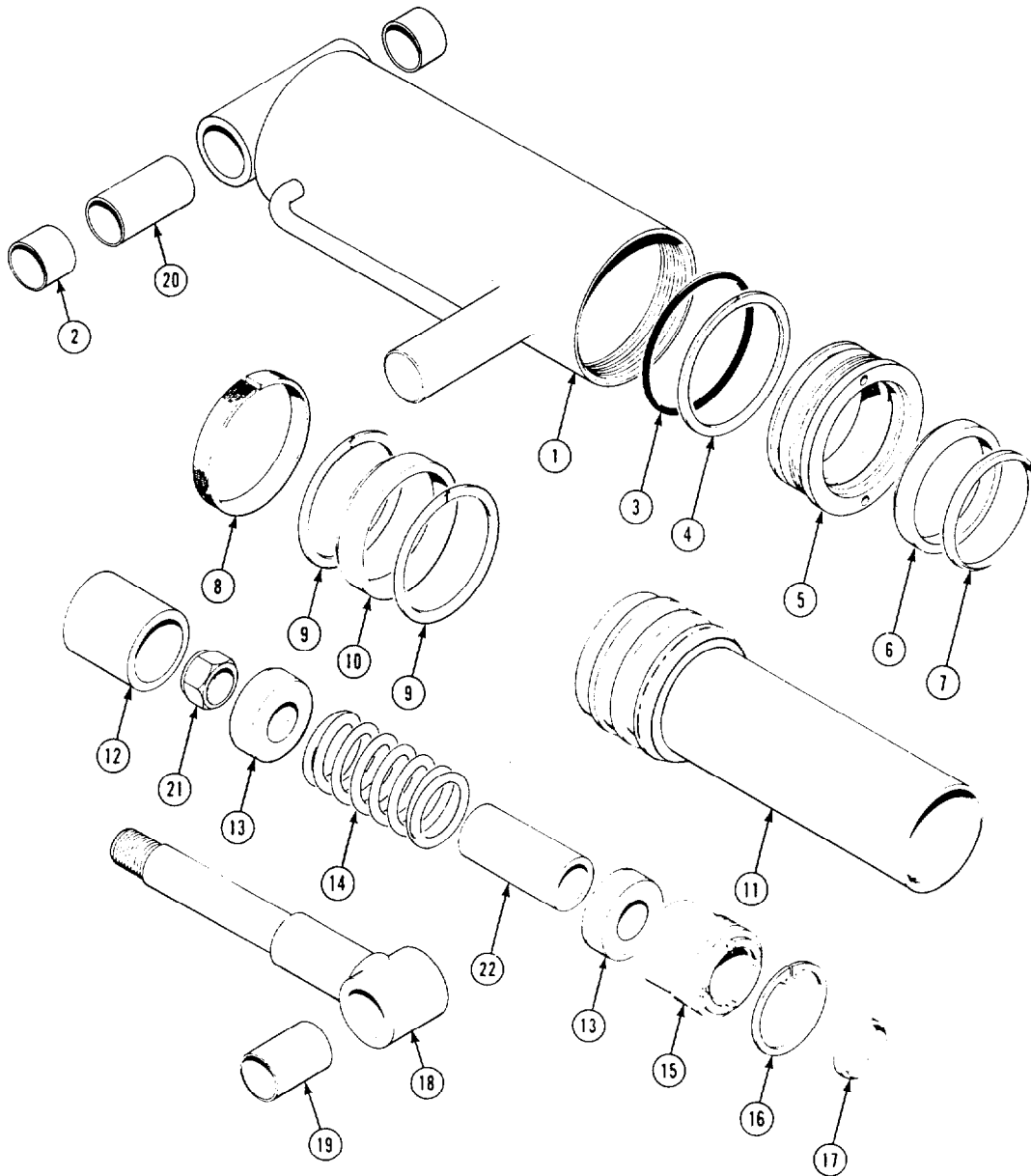
REF. NO.	QTY.	PART NO.	DESCRIPTION
		655576	Revolving Connection
1	2	661816	Valve Cartridge
•2	1	656035	Back-up Ring
•3	1	643374	O-Ring
•4	1	643373	O-Ring
•5	1	602733	Back-up Ring
•6	1	2708	O-Ring
7	1	7205	Snap Ring
8	1	659162	Body
••9	4	615128	Back-up Ring
••10	3	645592	O-Ring
11	1	662024	Shaft
•12	2	668927	Back-up Ring
		651876	Service Kit, Shaft Seals
		656223	Service Kit, Cartridge Seals

•Included in Cartridge Seal Service Kit 656223

••Included in Shaft Seal Service Kit 651876



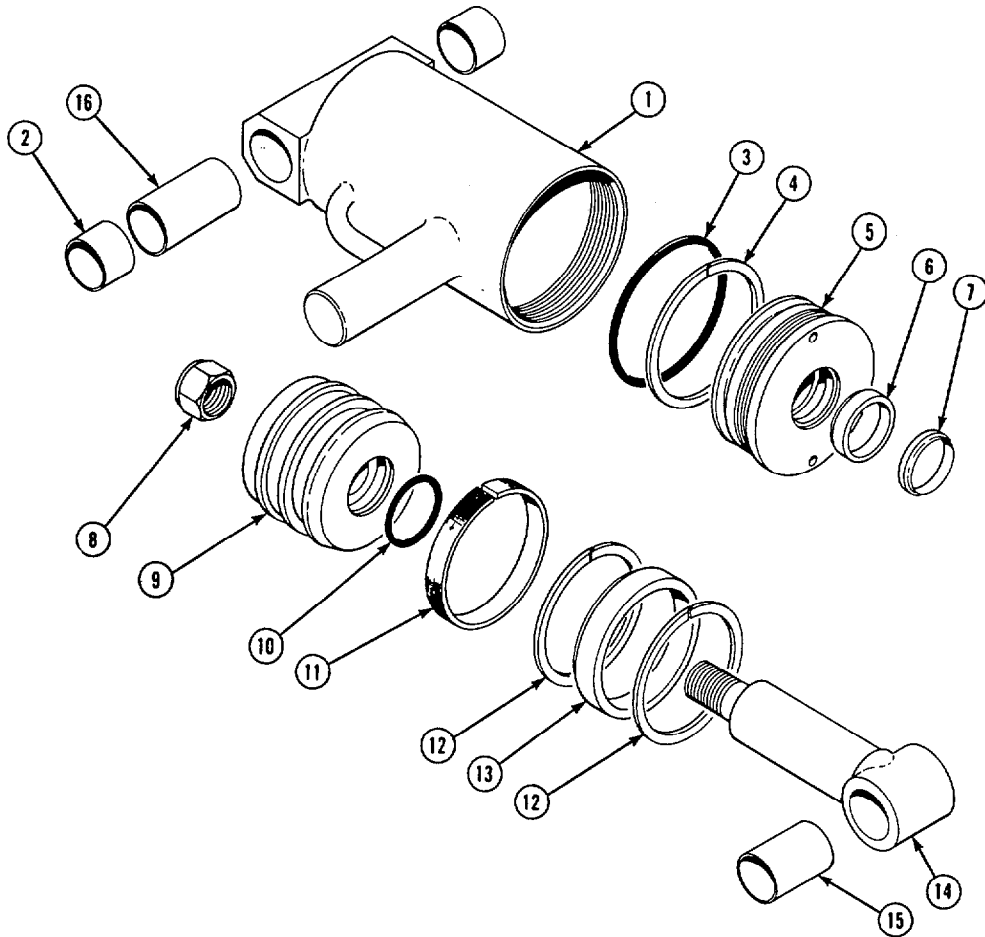
Cylinder Assembly Long Arm



40D							
REF. NO.	QTY.	PART NO.	DESCRIPTION	REF. NO.	QTY.	PART NO.	DESCRIPTION
		659794	Cylinder Assembly	12	1	659932	Spacer
1	1	659926	Shell	13	2	659933	Piston Half
2	2	629315	Bushing	14	1	651480	Spring
•3	1	2801	O-Ring	15	1	659935	Retainer
•4	1	615144	Back-up Ring	16	1	659936	Snap Ring
5	1	659937	Retainer	•17	1	636854	Wiper Ring
•6	1	641478	Seal	18	1	659934	Rod
•7	1	636859	Wiper Ring	19	1	629313	Bushing
•8	1	636945	Bearing	20	1	651382	Sleeve
•9	2	660952	Ring, Nylon	21	1	5883	Nut
•10	1	641527	Seal	22	1	659902	Spacer
11	1	659929	Plunger Shell			660955	Kit, Cylinder Service

•Included in Service Kit.

Cylinder Assembly Short Arm

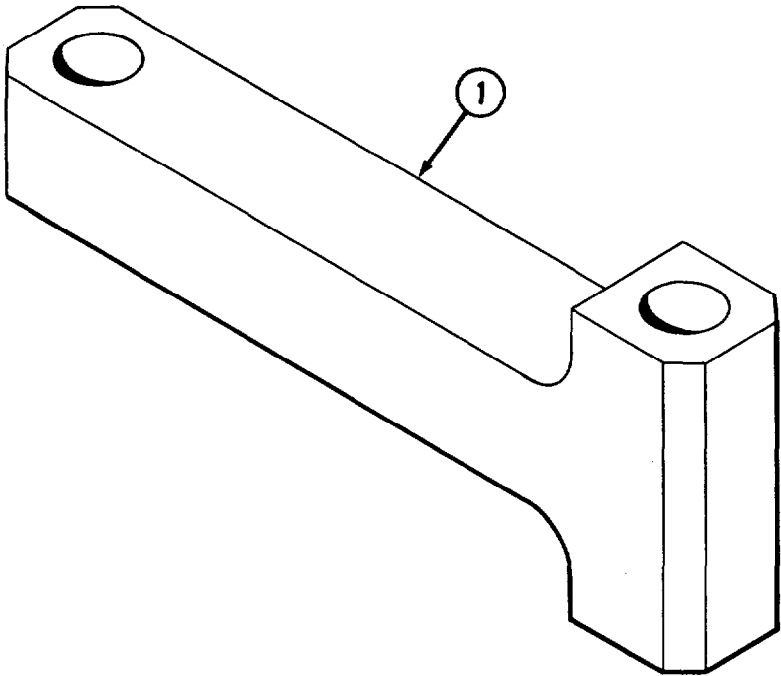


40D							
REF. NO.	QTY.	PART NO.	DESCRIPTION	REF. NO.	QTY.	PART NO.	DESCRIPTION
1	1	659793	Cylinder Assembly	9	1	659956	Piston
		659953	Shell	●10	1	2784	O-Ring
2	2	629315	Bushing	●11	1	636943	Bearing
●3	1	2797	O-Ring	●12	2	660951	Nylon Ring
●4	1	615140	Back-up Ring	●13	1	641525	Seal
5	1	659957	Retainer	14	1	651381	Rod
●6	1	641471	Seal	15	1	629313	Bushing
●7	1	636854	Wiper Ring	16	1	651382	Sleeve
8	1	5883	Nut		1	660954	Kit, Cylinder Service

● Included in Service Kit

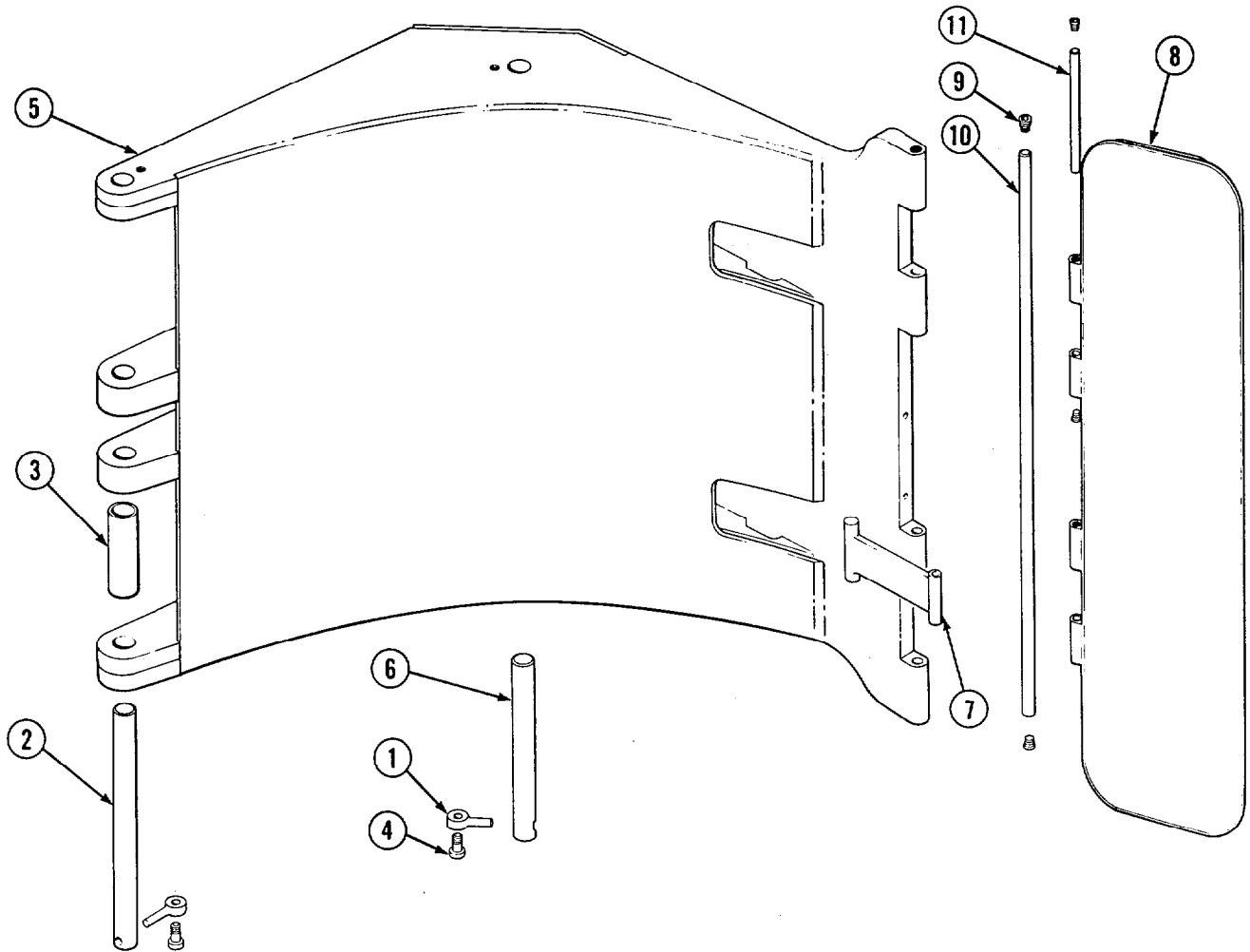
Rod Assembly

Fixed Short Arm No Articulation



REF. NO.	40D	DESCRIPTION
	PART NO.	
1	651026	Rod

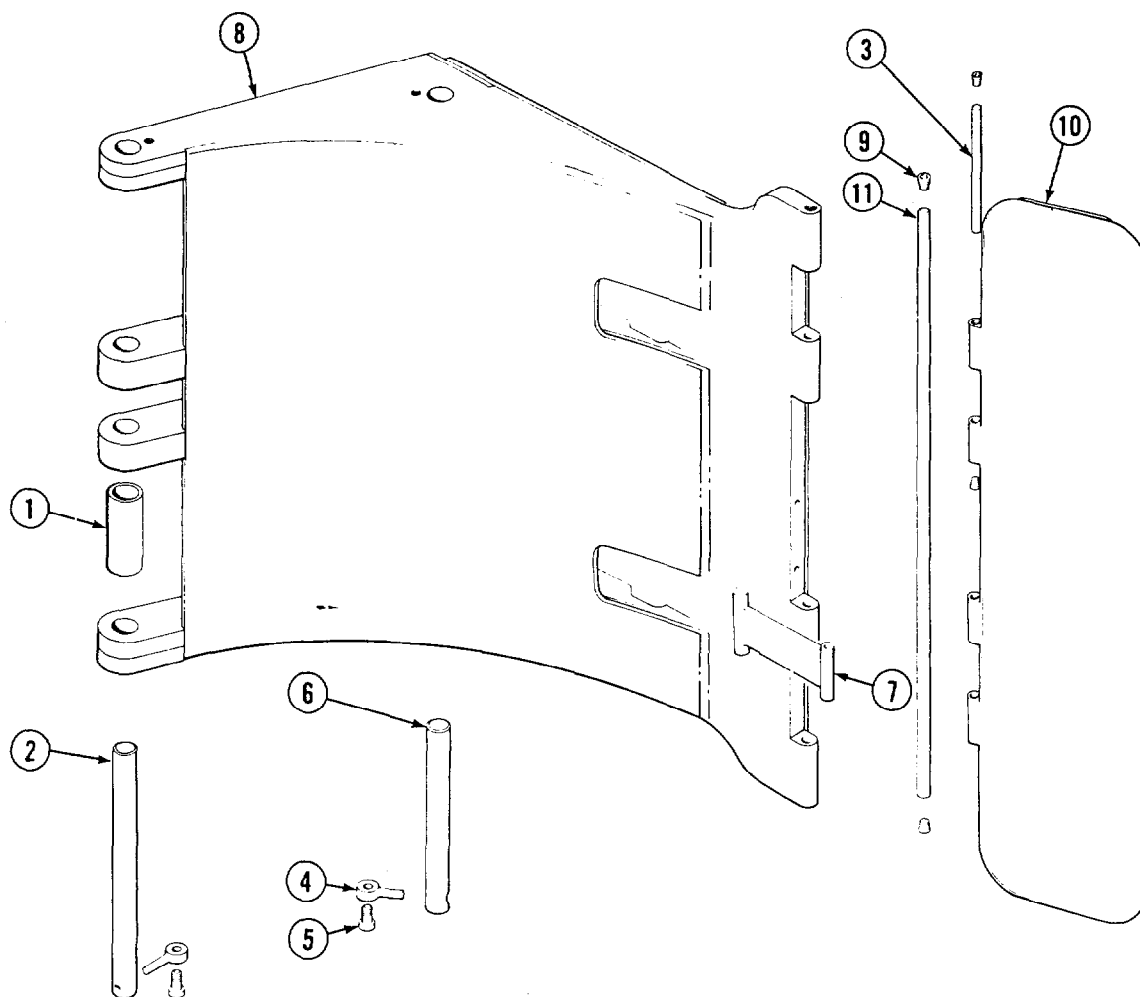
Long Arm



40D				
REF. NO.	QTY.	45" Maximum Roll Diameter	50" Maximum Roll Diameter	DESCRIPTION
		Part No.	Part No.	
		665720	665721	Arm Assembly
1	4	651091	651091	Eye Bolt
2	2	665801	665801	Pin
3	2	665734	665734	Spacer
4	4	651090	651090	Capscrew
5	1	665748	665760	Arm
6	2	665800	665800	Pin
7	2	665835	665836	Link
8	1	• 667873	• 667873	Contact Plate – Algrip
9	6	651113	651113	Plug
10	1	650844	650844	Pin
11	1	665712	665712	Pin

•Replacement Algrip Contact Surface 650841

Short Arm



40D						
REF. NO.	QTY.	45" Maximum Roll Diameter		50" Maximum Roll Diameter		DESCRIPTION
		FIXED ARM	POWERED ARM	FIXED ARM	POWERED ARM	
		PART NO.	PART NO.	PART NO.	PART NO.	
		665717	665716	665719	665718	Arm Assembly
1	2	665734	665734	665734	665734	Spacer
2	2	665801	665801	665801	665801	Pin
3	2	665712	665712	665712	665712	Pin
4	4	651091	651091	651091	651091	Eye Bolt
5	4	651090	651090	651090	651090	Capscrew
6	2	665800	665800	665800	665800	Pin
7	2	665832	665831	665834	665833	Link
8	1	667628	667628	665783	665783	Arm
9	6	651113	651113	651113	651113	Plug
10	1	• 667873	• 667873	• 667873	• 667873	Contact Plate - Algrip
11	1	650844	650844	650844	650844	Pin

•Replacement Algrip Contact Surface 650841

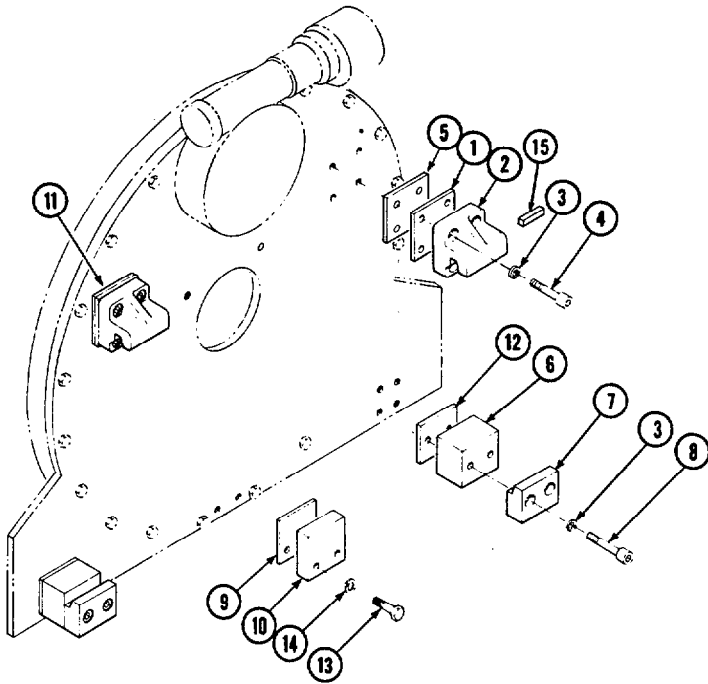


© Cascade Corporation 1983

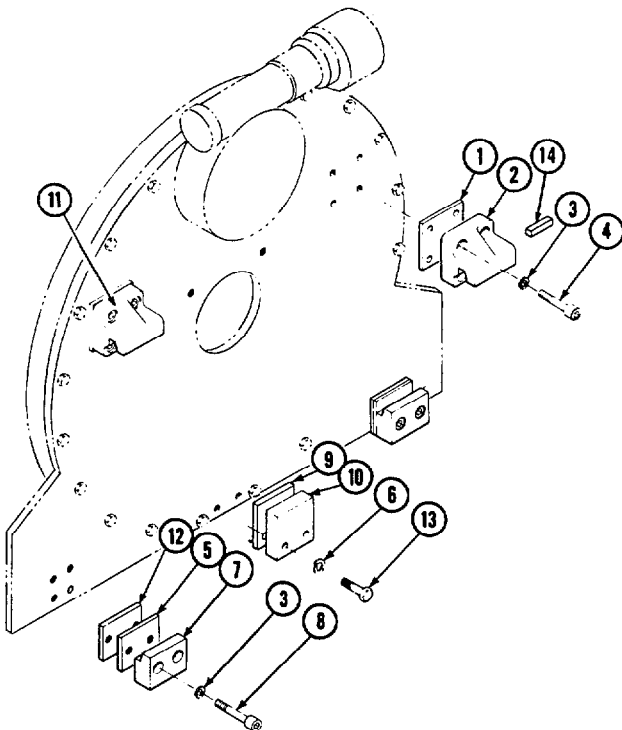
Rev.

Form 5321

Mounting Group

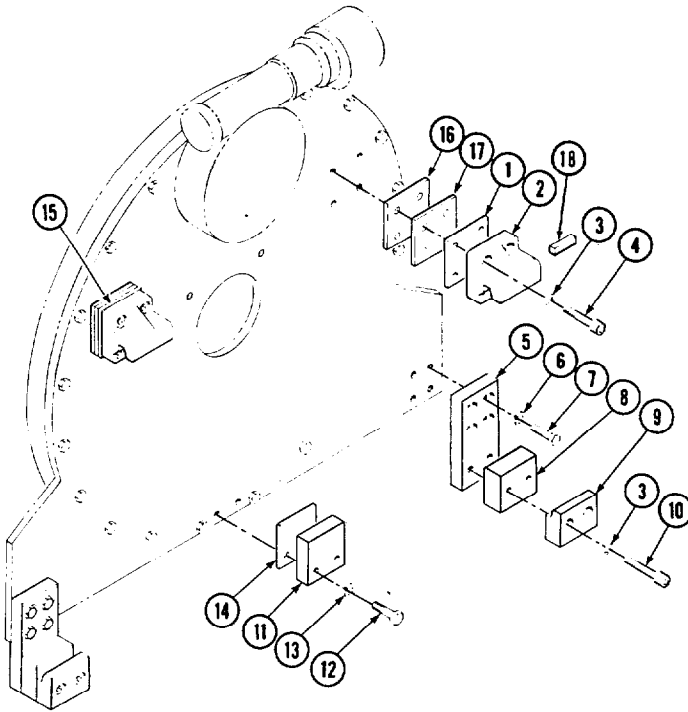


40D - CLASS II 0°			
REF. NO.	QTY.	PART NO.	DESCRIPTION
		627458	Mounting Group
1	2	630519	Spacer
2	1	625447	Upper Hook R.H.
3	12	6447	Lockwasher
4	8	607089	Capscrew
5	2	661496	Spacer
6	2	632904	Pad
7	2	625450	Lower Hook
8	4	607094	Capscrew
9	1	639229	Spacer
10	1	639230	Pad
11	1	666013	Upper Hook L.H.
12	2	627369	Spacer
13	2	3612	Capscrew
14	2	6288	Lockwasher
15	1	669344	Stop Block Kit

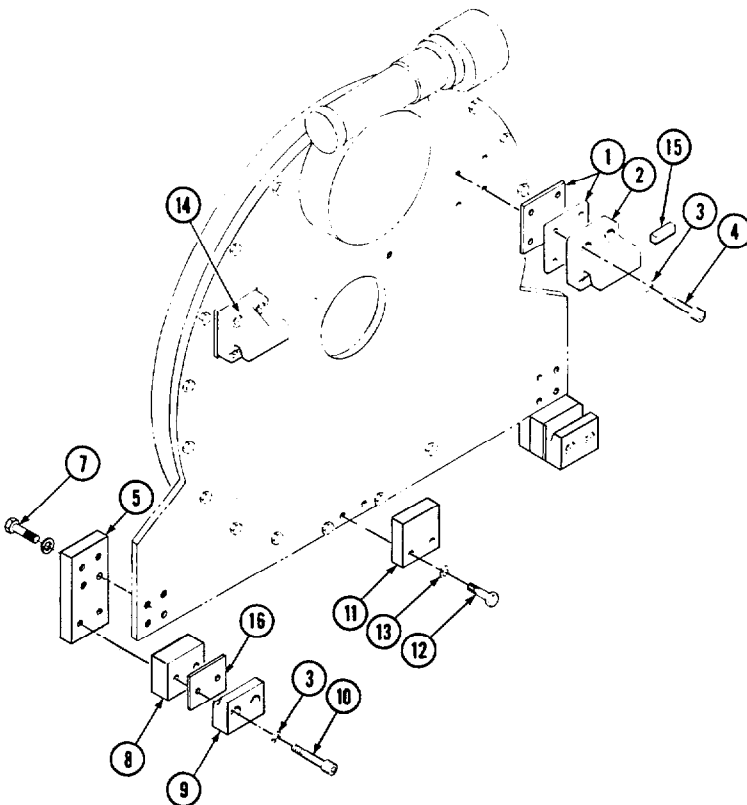


40D - CLASS II 4°			
REF. NO.	QTY.	PART NO.	DESCRIPTION
		626320	Mounting Group
1	2	661496	Spacer
2	1	625447	Upper Hook R.H.
3	12	6447	Lockwasher
4	8	607087	Capscrew
5	4	640499	Spacer
6	2	6288	Lockwasher
7	2	625450	Lower Hook
8	4	607089	Capscrew
9	1	640506	Spacer
10	1	639229	Pad
11	1	666013	Upper Hook L.H.
12	2	627369	Spacer
13	2	3606	Capscrew
14	1	669344	Stop Block Kit

Mounting Group



40D - CLASS III 0°			
REF. NO.	QTY.	PART NO.	DESCRIPTION
		627459	Mounting Group
1	2	630519	Spacer
2	2	650050	Upper Hook R.H.
3	12	6447	Lockwasher
4	8	607088	Capscrew
5	2	622127	Extension
6	8	6292	Lockwasher
7	8	8605	Capscrew
8	6	627369	Pad
9	2	622126	Lower Hook
10	4	607091	Capscrew
11	1	639226	Spacer
12	2	4757	Capscrew
13	2	6441	Lockwasher
14	1	639227	Spacer
15	1	666017	Upper Hook L.H.
16	2	650089	Spacer
17	2	661496	Spacer
18	1	669344	Stop Block Kit



40D - CLASS III 4°			
REF. NO.	QTY.	PART NO.	DESCRIPTION
		622124	Mounting Group
1	4	630519	Spacer
2	1	650050	Upper Hook R.H.
3	12	6447	Lockwasher
4	8	607086	Capscrew
5	2	622127	Extension
6	8	6292	Lockwasher
7	8	8605	Capscrew
8	4	639234	Pad
9	2	622126	Lower Hook
10	4	607090	Capscrew
11	1	699363	Spacer
12	2	4750	Capscrew
13	2	6441	Lockwasher
14	1	666017	Upper Hook L.H.
15	1	669344	Stop Block Kit
16	2	669364	Spacer

Do you have questions you need answered right now? Call your nearest Cascade Parts Department.

Cascade Corporation
2501 Sheridan Avenue
P.O. Box 360
Springfield, Ohio 45505
Tel.: (513) 322-1199
Telex: 279563

**Cascade Scandinavia
Hydraulik A.B.**
Muskötgatan 17-(E 8-9)
252 55 Helsingborg
Sweden
Tel.: 042-151135
Telex: 72565 caschbg s

Cascade Hydraulics Ltd.
7615 Kimbel Street
Mississauga, Ontario
Canada L5S-1A8
Tel: 416/677-9695
Direct Parts Line:
416/677-9686
416/677-9684
Te/Ac: 06-968715

Cascade Japan Ltd.
4-1, 1-Chome,
Shin Senri Higashimachi
Toyonaka, Osaka 565
Japan
Tel.: 06-835-2900
Te/Ac: 781-5287115 Cascade J
Cable: Cascadecfe, Osaka

**Cascade N.V.
European Headquarters**
P.O. Box 50086
1305 AB Almere-Haven
Achterwerf 240
1357 CB Almere-Haven
The Netherlands
Tel.: 03240-92911
Telex: 40838 case nl

Cascade France S.A.R.L.
11, rue Jean Charcot
Zone Industrielle Sud
B.P. 22
91421 Morangis Cedex
France
Tel.: 06-9091139
Telex: cascade 690016f

**Cascade Materials Handling
(Aust.) Pty. Ltd.
(Incorporated in N.S.W.)**
121 Long Street
Smithfield, N.S.W. 2164
Australia
Tel.: 02-604-6222
Te/Ac: (790)24302
Cable: Cascaus

**Cascade N.V.
Benelux Sales and Service**
P.O. Box 170
1110 AD Diemen
Weesperstraat 110
1112 AP Diemen
The Netherlands
Tel.: 020-906411
Telex: 14495 casc nl

Cascade Hispania S.A.
Avenida De La Fabregade, 7
Hospitalet De Llobregat
Barcelona
Spain
Tel.: 93-3355158
Telex: 54018 casc e

**Cascade Materials Handling
(Aust.) Pty. Ltd.**
44E Winterton Road
Clayton, Victoria 3168
Australia
Tel.: 03-543-4344
Cable: Casmel

Cascade GmbH
Klosterhofweg 52
4050 Mönchengladbach 3
B.R. Deutschland
Tel.: 02166-602091
Telex: 852812 casc d

Cascade (UK) Ltd.
15, Orgreave Crescent
Dore House Industrial Estate
Handsworth
Sheffield S13 9NQ
England
Tel.: 0742-697524/5/6/7
Telex: 547254 cascsh g

Cascade (Africa) Pty. Ltd.
P.O. Box 625
15 Power Street
Isando 1600
South Africa
Tel.: 011-974-5611/2/3/4/5
Telex: 4-29718 S.A.