



# Parts Manual

---

Model \_\_\_\_\_ Paper Roll Clamp

Serial Number \_\_\_\_\_ 60G-RCP-B005R2

---

**cascade**<sup>®</sup>  
corporation

**For Technical Assistance call:** 800-227-2233, Fax: 888-329-8207

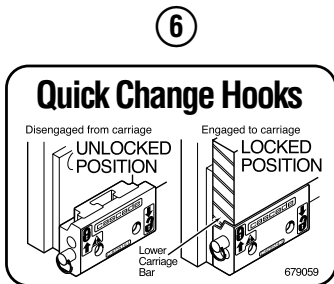
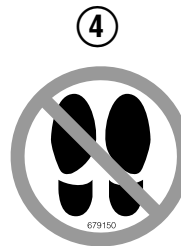
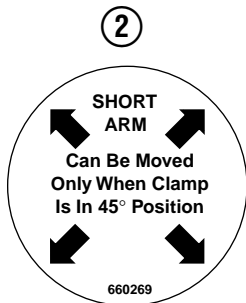
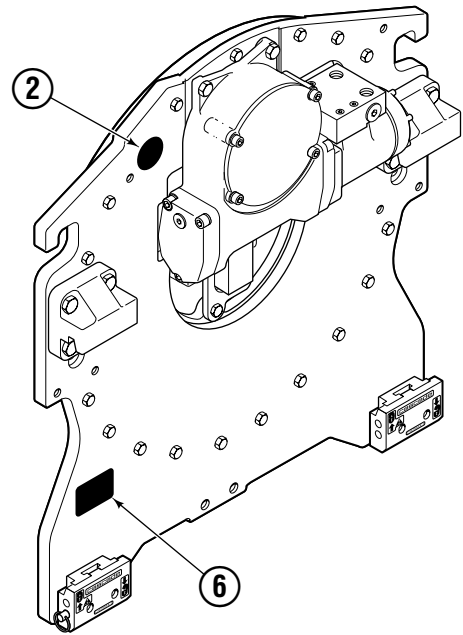
**To Order Parts call:** 888-227-2233, Fax: 888-329-0234

**OR**

**Write:** Cascade Corporation, P.O. Box 20187, Portland, OR 97220

**Internet:** [www.cascorp.com](http://www.cascorp.com)

# Decals



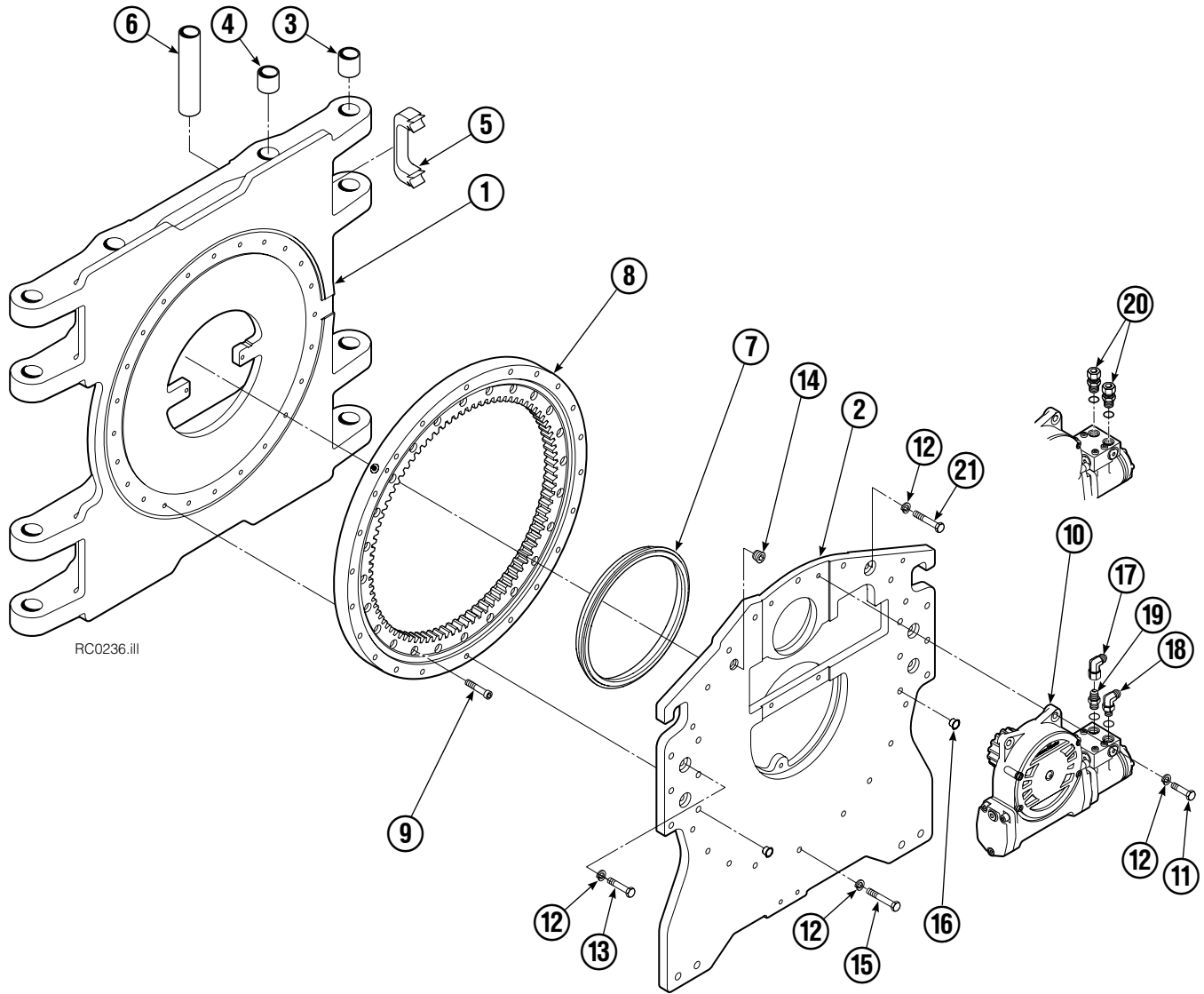
60G			
REF	QTY	PART NO.	DESCRIPTION
1	6	665595	No Hand Hold Decal
2	1	660269	Short Arm Rotation Position Decal
3	4	656038	Caution Decal
4	4	679150	No Step Decal
5	4	665677	Trapped Pressure Decal
6	1	679059	Quick-Change Hook Decal

# Publications



60G	
PART NO.	DESCRIPTION
213550	Parts Manual
213744	Service Manual
210135	Operator's Guide
212420	Installation Instructions - Fixed Frame
677555	Driver Training Video - VHS
678363	Troubleshooting Video - VHS
680664	Servicing Cascade Cylinders - VHS
679929	Tool Catalog
673964	Literature Index Order Form

# Frame Group



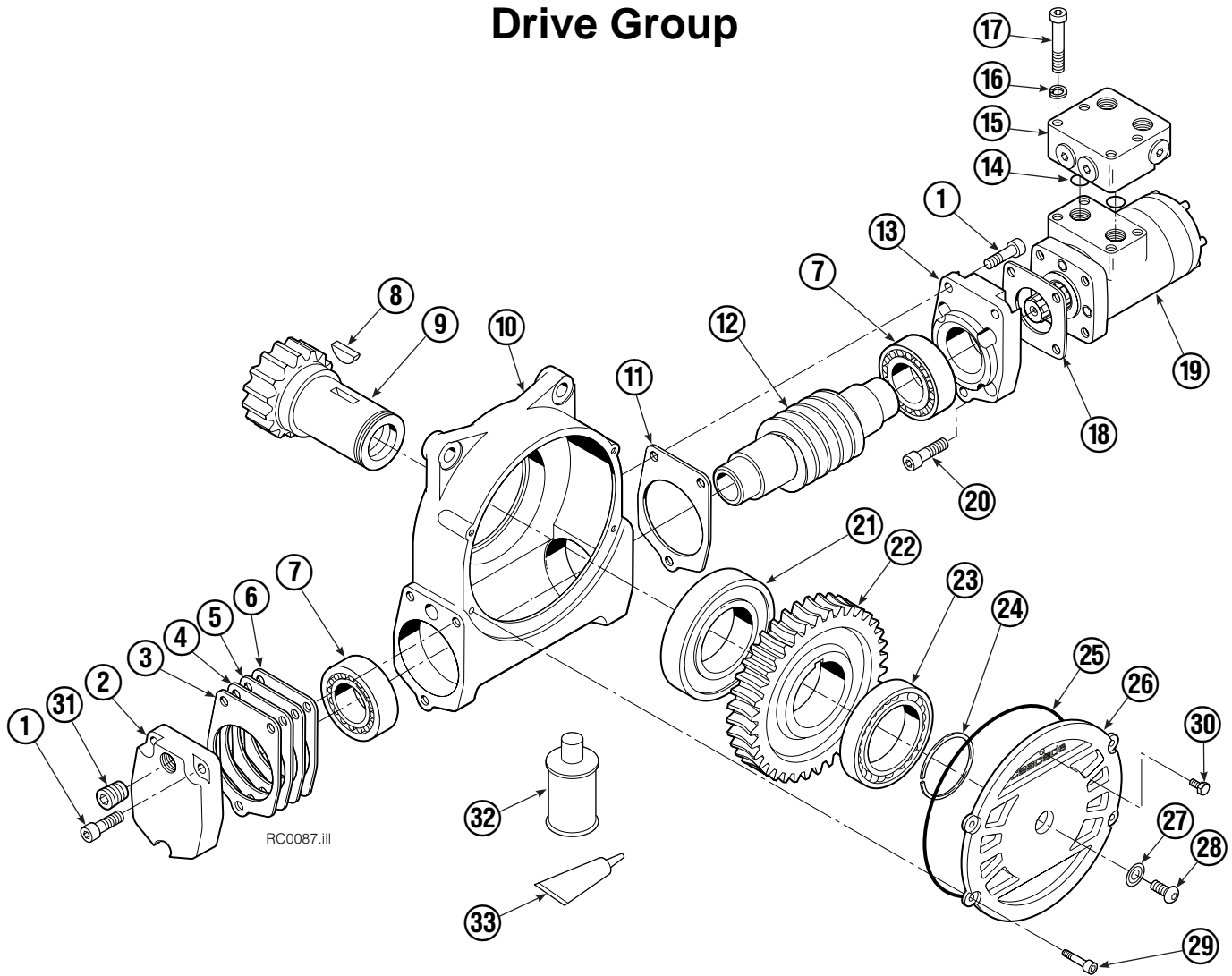
RC0236.ill

60G							
REF	QTY	PART NO.	DESCRIPTION	REF	QTY	PART NO.	DESCRIPTION
		6022114	Frame Group w/o Stop – 72 in. ▲	11	4	211689	Capscrew, M12 x 30
1	1	6021750	Frame w/o Stop – 72 in.	12	26	683822	Lockwasher, M12
2	1	209940	Baseplate w/o Stop	13	4	206174	Capscrew, M12 x 45
3	8	211718	Bearing	14	1	6605	Fitting, 3/4 in.
4	8	211717	Bearing	15	18	213633	Capscrew, M12 x 55
5	4	211712	Hose Guard	16	2	631428	Plug
6	4	209987	Spacer	17	1	605761	Fitting, 8-8 SAE
7	1	209944	Seal	18	1	601250	Fitting, 8-8 SAE
8	1	213761	Bearing Assembly	19	1	601377	Fitting, 8-8 SAE
9	24	767596	Capscrew, M12 x 40		2	765492	Fitting, 8 SAE – M10 L-Series
10	1	212308	Drive Group – 2.2 c.i. Motor ●	20	2	765493	Fitting, 8 SAE – M12 L-Series
10	1	795491	Drive Group – 2.8 c.i. Motor ●		2	756920	Fitting, 8 SAE – M12 S-Series

▲ Maximum roll handling capacity.  
 ● See Drive Group page for parts breakdown.  
 Reference: S-4165, S-4506, S-4189, S-4159.

Baseplate & Rotator Group 213763.  
 Fitting Group 212367.  
 Common Parts 213762.

# Drive Group

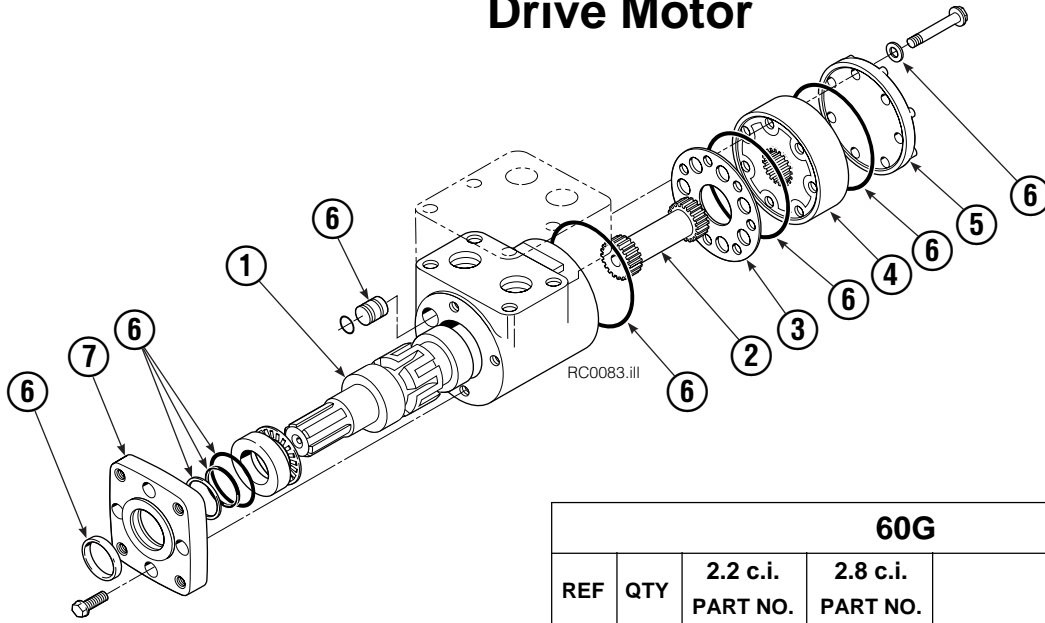


60G							
REF	QTY	PART NO.	DESCRIPTION	REF	QTY	PART NO.	DESCRIPTION
		212308	Drive Group with 2.2 c.i. Motor	19	1	670575	Gasket
		795491	Drive Group with 2.8 c.i. Motor	20	4	4468	Capscrew, 3/8 NC x .75 GR8
1	6	768826	Capscrew, M12 x 25	21	1	670580	Bearing
2	1	795258	Cover	22	1	675609	Worm Gear
3	●	674513	Shim - .005" (blue)	23	1	670581	Bearing
4	●	670574	Shim - .010" (brown)	24	1	7214	Snap Ring
5	●	671757	Shim - .015" (pink)	25	1	204970	Gasket
6	●	671758	Shim - .020" (yellow)	26	1	775552	Cover
7	2	670579	Bearing	27	1	783609	Seal
8	1	670582	Key	28	1	783608	Capscrew, M12 x 16
9	1	670506	Pinion	29	4	775639	Capscrew, M8 x 20
10	1	775551	Housing	30	1	644010	Relief Fitting
11	1	686465	Gasket	31	1	602580	Fitting, 8
12	1	675608	Worm	32	1	656300	Gear Box Lube - 48 oz.
13	1	775553	Adapter	33	1	668184	Sealant
14	2	2705	O-Ring			670578	Shim Service Kit (items 3-6,11,25,33)
15	1	670549	Check Valve			675637	Bearing Service Kit (items 21 & 33)
16	4	6444	Lockwasher			675638	Bearing Service Kit (items 3-7,11,25)
17	4	607059	Capscrew, 5/16 NC x 1.75 GR8			212919	Motor Kit-2.2 (items 11,14,18,19,20,33)
18	1	210139	Drive Motor - 2.2 c.i. ▲			206394	Motor Kit-2.8 (items 11,14,18,19,20,33)
18	1	206392	Drive Motor - 2.8 c.i. ▲				

● Quantity as required.

▲ See Drive Motor page for parts breakdown.

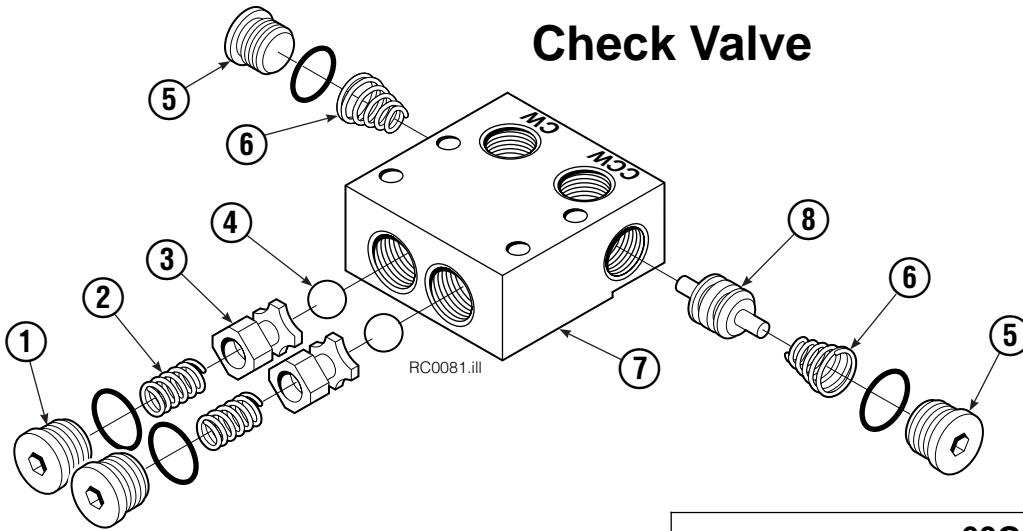
# Drive Motor



60G				
REF	QTY	2.2 c.i. PART NO.	2.8 c.i. PART NO.	DESCRIPTION
		210139	206392	Drive Motor
1	1	675478	675478	Shaft
2	1	675477	675477	Drive Link
3	1	211528	675479	Spacer Plate
4	1	210137	675480	Geroler/Gerotor Set
5	1	211527	675482	End Cap
6	1	206405	206405	Service Kit ●
7	1	685090	685090	Flange

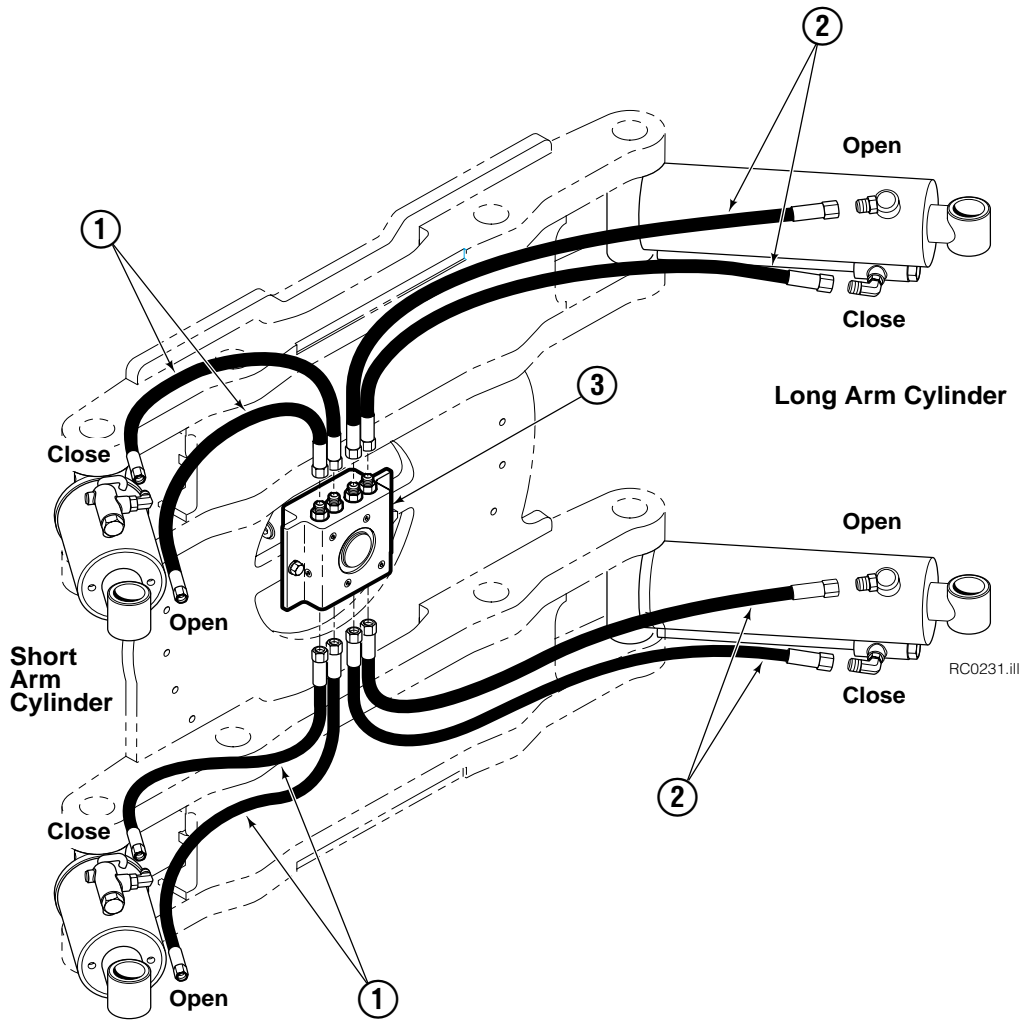
Cascade provides service replacement parts for the listed parts only. Due to cost, if others parts need replacement, the complete Drive Motor should be replaced.

# Check Valve



60G			
REF	QTY	PART NO.	DESCRIPTION
		670549	Check Valve Assembly
1	2	609453	Fitting, 10
2	2	670552	Spring
3	2	670551	Guide
4	2	7020	Ball
5	2	602580	Fitting, 8
6	2	673989	Spring
7	1	670550	Body
8	1	670553	Spool

# Hosing Group Positioned Short Arm



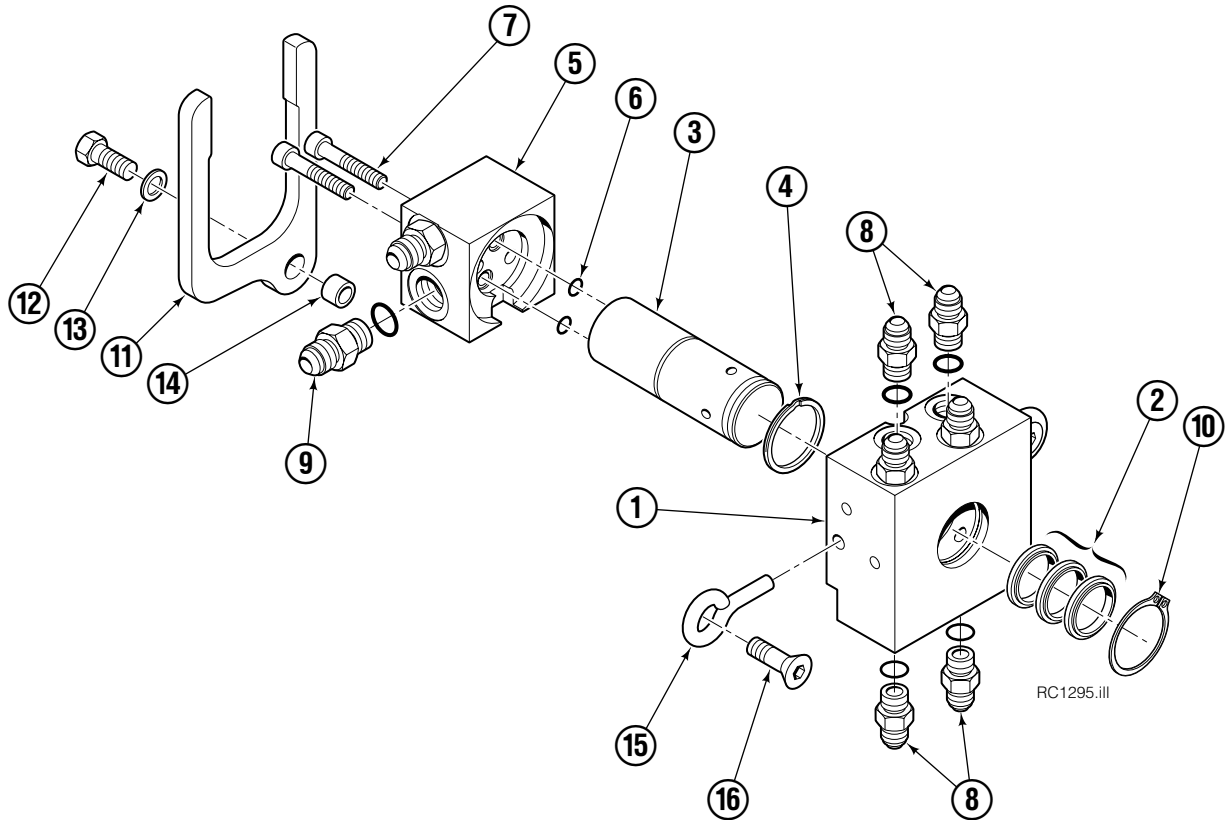
60G			
REF	QTY	72 in. ■ PART NO.	DESCRIPTION
		210016	Hose Group
1	4	210024	Hose
2	4	210025	Hose
3	1	▲	Revolving Connection

■ Maximum roll handling capacity.

▲ See Revolving Connection page for part number.

Reference: S-4192, S-4193.

# Revolving Connection

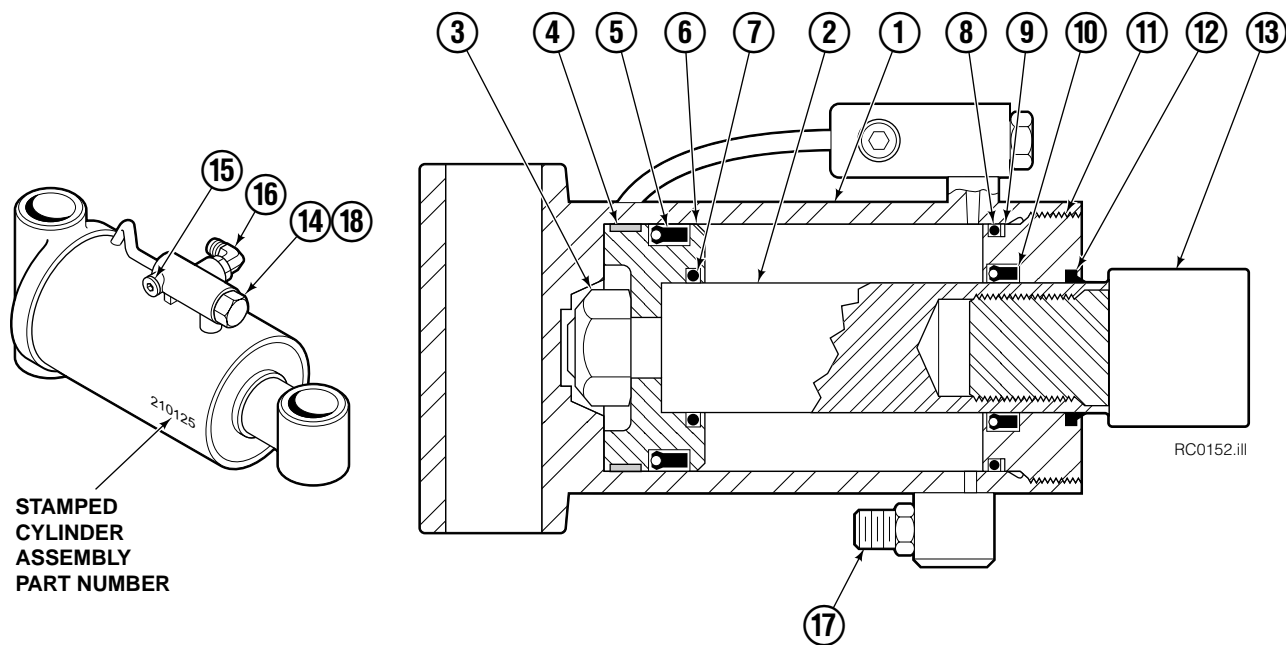


60G			
REF	QTY	PART NO.	DESCRIPTION
		6023703	Revolving Connection Group
		6023446	Revolving Connection ●
1	1	6023548	Valve Body
2	3	214649	◆ Seal
3	1	6023523	Shaft
4	1	7341	◆ Retaining Ring
5	1	6023542	End Block
6	2	684587	◆ O-Ring
7	2	766123	Capscrew, M8 x 50
8	8	604511	Fitting, 6-6
9	2	601377	Fitting, 8-8
10	1	3138	◆ Retaining Ring
11	1	211909	End Block Retainer
12	1	215480	Capscrew, M10 x 25
13	1	206322	Washer, M10
14	1	212725	Spacer
15	2	227962	Eye Pin
16	2	768697	Capscrew, M10 x 25

◆ Included in Service Kit 6024395.

● Revolving Connection 6023446 includes items 1-10.

# Cylinders



60G				
REF	QTY	Short Arm	Long Arm	DESCRIPTION
		72 in. ■	72 in. ■	
		PART NO.	PART NO.	
		210128	210132	Cylinder Assembly
1	1	4195-185	4195-395	Shell
2	1	4130-335	4130-500	Rod

■ Maximum roll handling capacity.

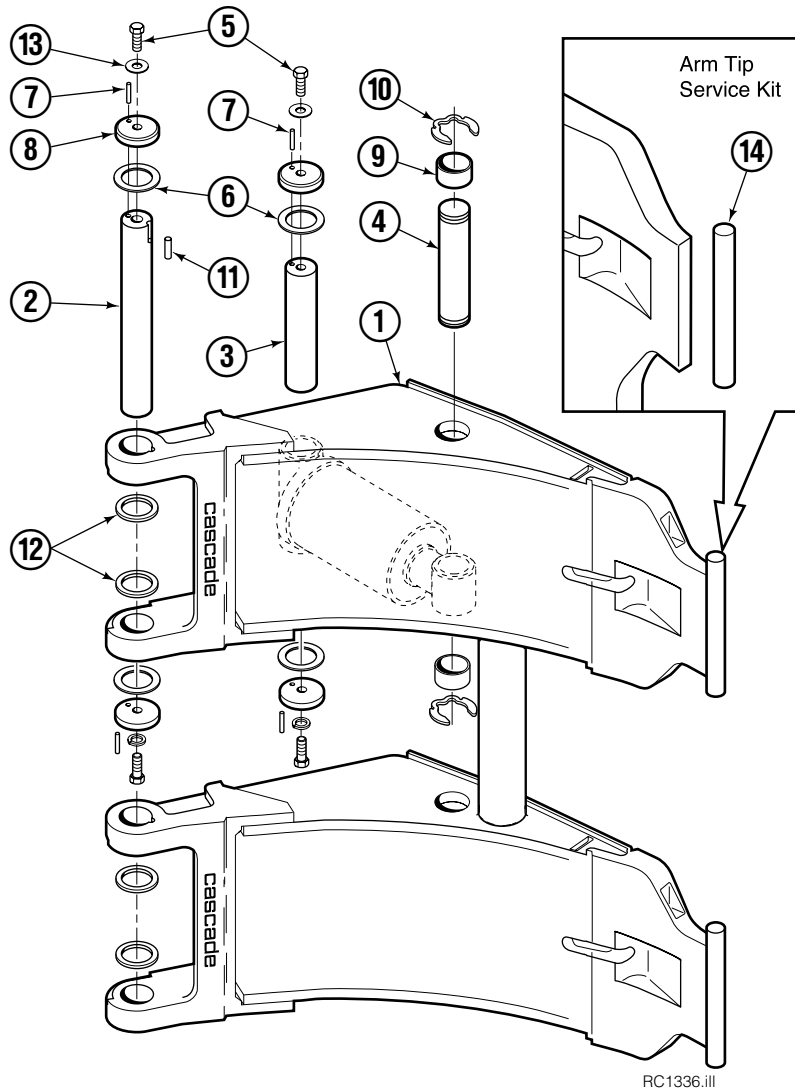
## Common Parts

REF	QTY	PART NO.	DESCRIPTION	REF	QTY	PART NO.	DESCRIPTION
3	1	560997	Nut	12	1	564443	▲ Wiper
4	1	211295	▲ Wear Ring	13	1	209764	Rod Eye
5	1	564902	▲ Seal	14	1	659058	Check Valve
6	1	211292	Piston	15	1	609234	Fitting, 4
7	1	210087	▲ O-Ring	16	1	601676	Fitting, 6-6
8	1	564445	▲ O-Ring	17	1	604511	Fitting, 6-6
9	1	564446	▲ Back-Up Ring	18	1	667516	Check Valve Service Kit
10	1	564442	▲ Seal			210133	Cylinder Service Kit
11	1	209763	Retainer				

▲ Included In Service Kit 210133.

Reference: S-4454, S-4460.

# Short Arm

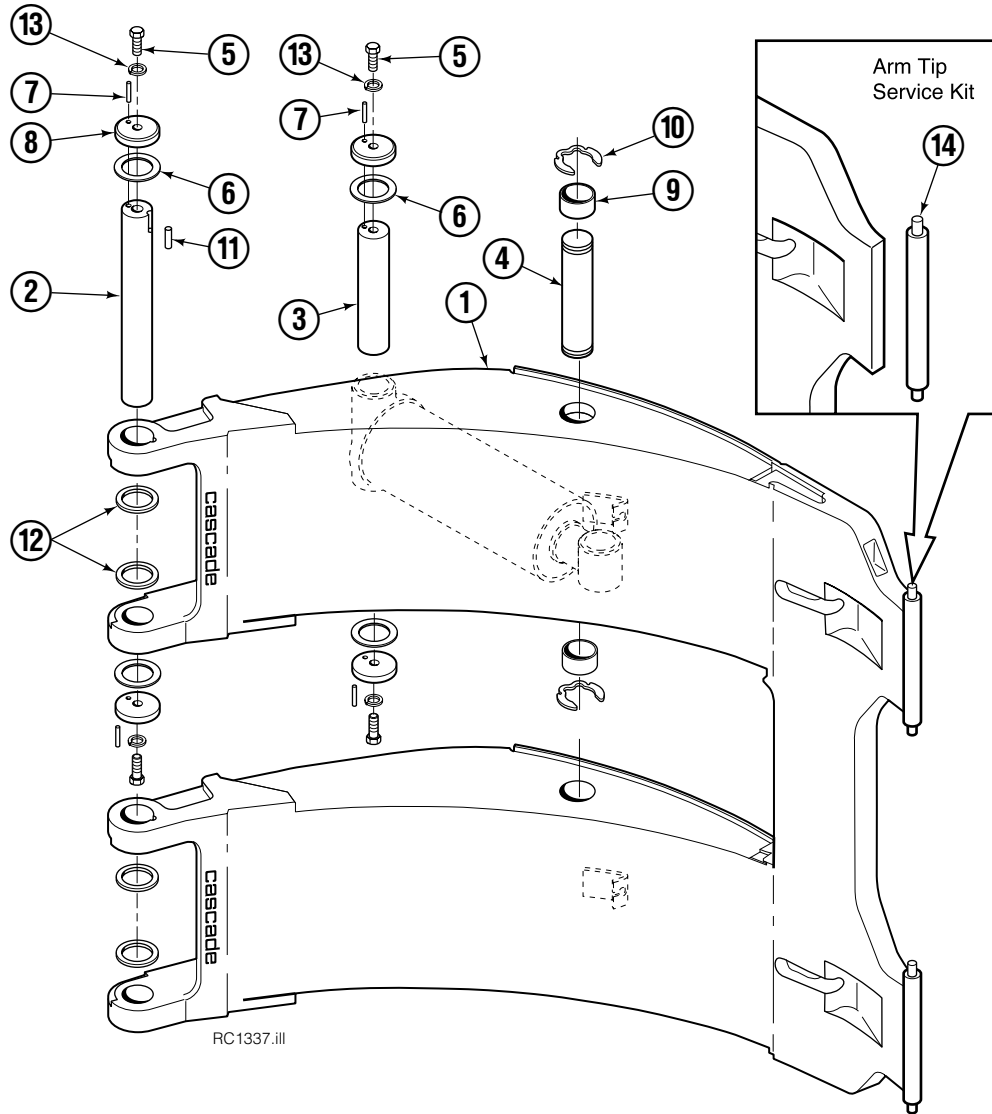


60G			
REF	QTY	72 in. ■	DESCRIPTION
		PART NO.	
		6022178	Short Arm Group
1	1	6022177	Short Arm

■ Maximum roll handling capacity.

REF	QTY	PART NO.	DESCRIPTION	REF	QTY	PART NO.	DESCRIPTION
2	2	6017336	Arm Pivot Pin	9	4	210080	Bearing
3	2	6023679	Cylinder Pivot Pin	10	4	209986	Retaining Ring
4	2	4175-150	Cylinder Rod Pivot Pin	11	2	212382	Dowel Pin, 8x16 mm
5	8	3007512	Capscrew, M12 x 25	12	16	209941	Shim - .062 in.
6	8	213029	Shim	13	8	209019	Washer, M12
7	8	209776	Dowel Pin	14	1	212902	Arm Tip Service Kit
8	8	6017339	Cap				

# Long Arm



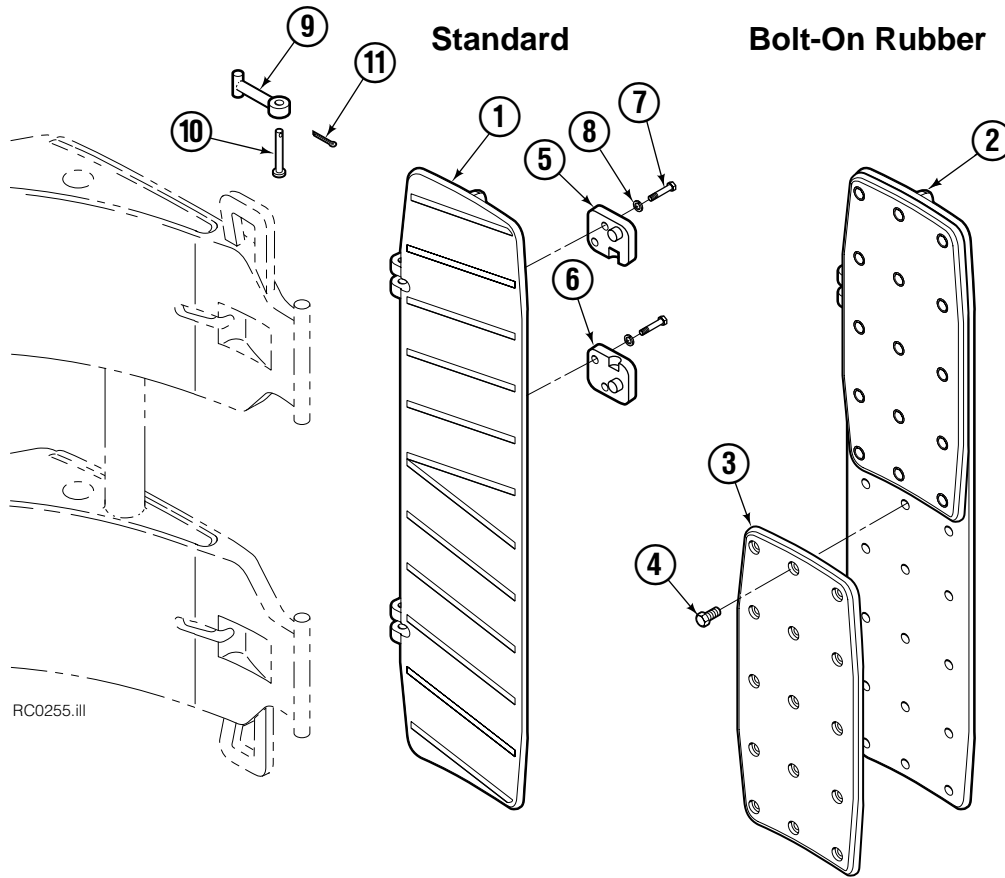
RC1337.iii

60G			
REF	QTY	72 in. ■	DESCRIPTION
		PART NO.	
		6022129	Long Arm Group
1	1	6021734	Long Arm

■ Maximum roll handling capacity.

REF	QTY	PART NO.	DESCRIPTION	REF	QTY	PART NO.	DESCRIPTION
2	2	6017336	Arm Pivot Pin	9	4	210080	Bearing
3	2	6023679	Cylinder Pivot Pin	10	4	209986	Retaining Ring
4	2	4175-150	Cylinder Rod Pivot Pin	11	2	212382	Dowel Pin, 8x16 mm
5	8	3007512	Capscrew, M12 x 25	12	16	209941	Shim - .062 in.
6	8	213029	Shim	13	8	209019	Washer, M12
7	8	209776	Dowel Pin	14	1	212902	Arm Tip Service Kit
8	8	6017339	Cap				

# Pad Groups – Short Arm



RC0255.ill

60G			
REF	QTY	72 in. ■	DESCRIPTION
		PART NO.	
		209888	Standard Pad Group
		—	Bolt-On Rubber Pad Group
1	1	209898	Pad, Standard
2	1	—	Pad, Bolt-On Rubber
3	2	—	Bolt-On Rubber
4	30	—	Capscrew, M8

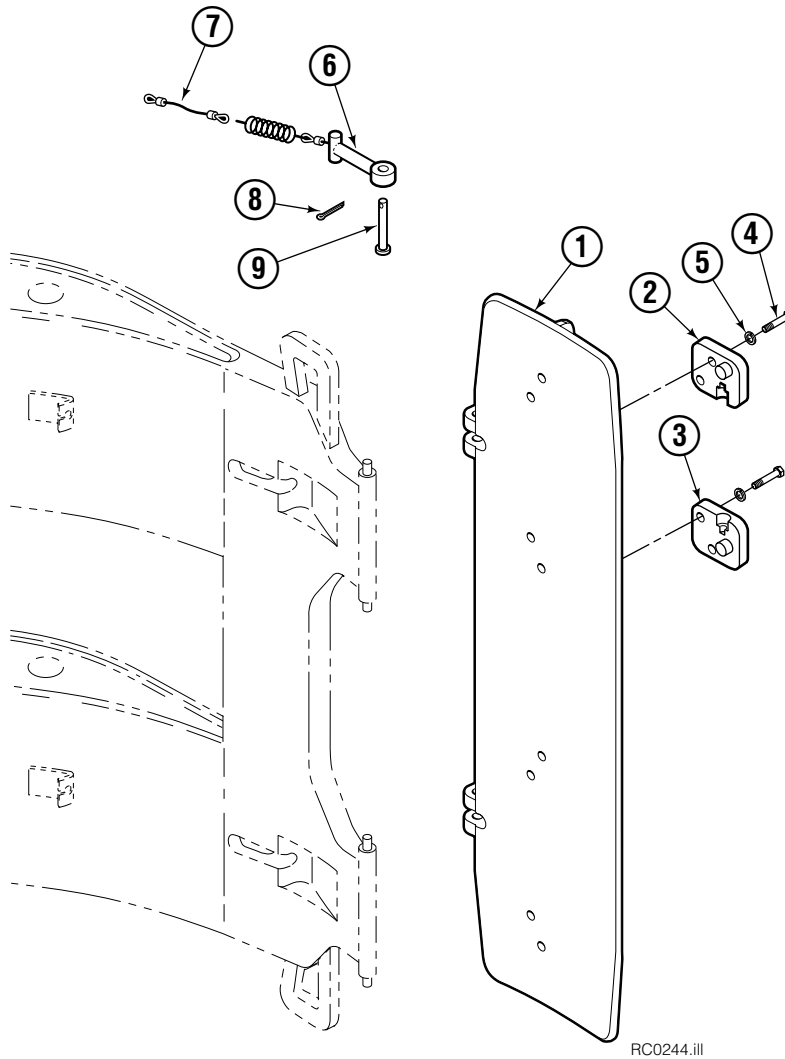
■ Maximum roll handling capacity.

## Common Parts

REF	QTY	PART NO.	DESCRIPTION	REF	QTY	PART NO.	DESCRIPTION
		212935	Common Parts Group – Short Arm	8	8	681473	Lockwasher, M12
5	2	209904	Retainer, R.H. ▲	9	2	209909	Link
6	2	209905	Retainer, L.H. ▲	10	2	674265	Clevis Pin
7	8	763021	Capscrew, M12	11	2	6525	Cotter Pin

▲ Driver's view, clamp in horizontal position, Short Arm up.  
Reference: S-4176, S-4177.

# Pad Group – Long Arm



RC0244.ill

60G			
REF	QTY	72 in. ■ PART NO.	DESCRIPTION
		6023688	Contact Pad Group
1	1	209898	Contact Pad

▲ Driver's view, clamp in horizontal position, Long Arm up.

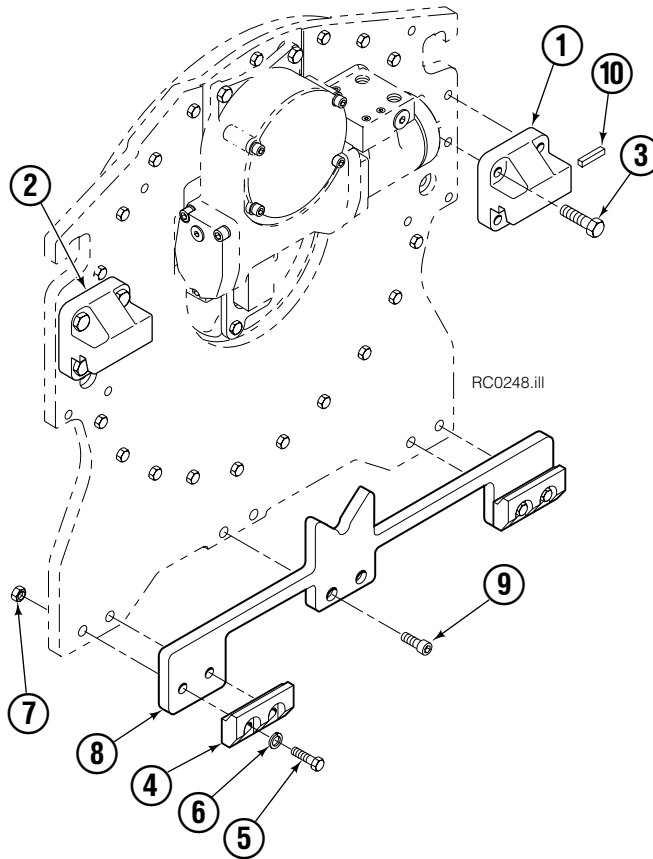
## Common Parts

REF	QTY	PART NO.	DESCRIPTION
		212934	Common Parts Group
2	2	211997	Retainer, R.H. ▲
3	2	211998	Retainer, L.H. ▲
4	8	763021	Capscrew, M12
5	8	681473	Lockwasher, M12
6	2	209916	Link Assembly
7	2	4182-165	Cable
8	2	674265	Clevis Pin
9	2	6525	Cotter Pin

▲ Driver's view, clamp in horizontal position, Long Arm up.

Reference: S-4179, S-4177.

# Mounting Group



## Class III, 2°

REF	QTY	PART NO.	DESCRIPTION
		209926	Mounting Group
1	1	209932	Upper Hook – RH
2	1	209933	Upper Hook – LH
3	4	779010	Capscrew, M16 x 35
4	2	675969	Lower Hook
5	4	678997	Capscrew, M16 x 70
6	4	667225	Washer, .625 in. I.D.
7	4	781534	Nut, M16
8	1	209936	Spacer
9	2	213771	Capscrew, M12 x 25
10	1	669344	Stop Kit



**Do you have questions you need answered right now?** Call your nearest Cascade Parts Department. Visit us online at [www.cascorp.com](http://www.cascorp.com)

**Cascade Corporation**  
2501 Sheridan Avenue  
Springfield, OH 45505  
Tel: 888-CASCADE (227-2233)  
FAX: 888-329-0234

**Cascade Canada Inc.**  
5570 Timberlea Blvd.  
Mississauga, Ontario  
Canada L4W-4M6  
Tel: 905-629-7777  
FAX: 905-629-7785

**Cascade GmbH**  
D-41199 Monchengladbach  
Klosterhofweg 52  
Germany  
Tel: 49-216-668230  
FAX: 49-216-6682323

**Cascade Finland**  
Albert Petreliuksenkatu 3  
01370 Vantaa  
Finland  
Tel: 358-9-836-1925  
FAX: 358-9-836-1935

**Cascade N.V.  
European Headquarters**  
P.O. Box 3009  
1300 El Almere  
Damsluisweg 56  
1332 ED Almere  
The Netherlands  
Tel: 31-36-5492911  
FAX: 31-36-5492964

**Cascade N.V.  
Benelux Sales and Service**  
P.O. Box 3009  
1300 El Almere  
Damsluisweg 56  
1332 ED Almere  
The Netherlands  
Tel: 31-36-5492950  
FAX: 31-36-5492974

**Cascade (UK) Ltd.**  
15, Orgreave Crescent  
Dore House Industrial Estate  
Handsworth  
Sheffield S13 9NQ  
England  
Tel: 742-697524  
FAX: 742-695121

**Cascade Scandinavia AB**  
Box 124  
Hammarvägen 10  
567 23 Vaggeryd  
Sweden  
Tel: 42-0-393-36950  
FAX: 46-0-393-36959

**Cascade Norway**  
Østerliveien 37A  
1153 Oslo  
Norway  
Tel: 47-22-743160  
FAX: 47-22-743157

**Cascade France S.A.R.L.**  
1D Rue De Charaintru  
BP 18, 91360 Epinay-Sur-Orge  
Morangis Cedex, France  
Tel: 33-1- 64547500  
FAX: 33-1-64547501

**Cascade Hispania S.A.**  
Carrer 5 Sector C  
Zona Franca Duanera  
Poligono de la Zon Franca  
08040 Barcelona, Spain  
Office No. 256  
Tel: 93-264-07-30  
FAX: 93-264-07-31

**Cascade Japan Ltd.**  
5-5-41,  
Torikai Kami  
Settsu, Osaka  
Japan, 566  
Tel: 81-726-53-3490  
FAX: 81-726-53-3497

**Cascade Korea**  
108B, Namdong Ind Complex  
658-3 Gojan-Dong  
Namdong-Gu  
Inchon, 405-310 Korea  
Tel: 82-32-821-2051  
FAX: 82-32-821-2055

**Cascade Australia**  
1445 Ipswich Road  
Rocklea, QLD 4106  
Australia  
Tel: 1-800227-223  
FAX: (07) 3373-7333

**Cascade New Zealand**  
15 Ra Ora Drive  
East Tamaki, Auckland  
New Zealand  
Tel: 9-273-9136  
FAX: 9-273-9137

**Cascade (Africa) Pty. Ltd.**  
P.O. Box 625, Isando 1600  
60A Steel Road  
Sparton, Kempton Park  
South Africa  
Tel: 27-11-975-9240  
FAX: 27-11-394-1147

**Cascade-Xiamen**  
No. 668 Yangguang Rd.  
Xinyang Industrial Zone  
Haicang, Xiamen City  
Fujian Province  
P.R. China 361026  
Tel: 86-592-651-2500  
FAX: 86-592-651-2571

**Cascade (Singapore)  
Trading Co.**  
Four Seasons Park  
Autumn Block - Apt. 1802  
12 Cuscaden Walk  
Singapore  
Tel: 65-834-1935  
FAX: 65-834-1936

