



# Parts Manual

---

Model QFM Sheet-Sav

Serial Number 35E-QPA-123

---

**cascade**<sup>®</sup>  
corporation

**For Technical Assistance call:** 800-227-2233, Fax: 888-329-8207

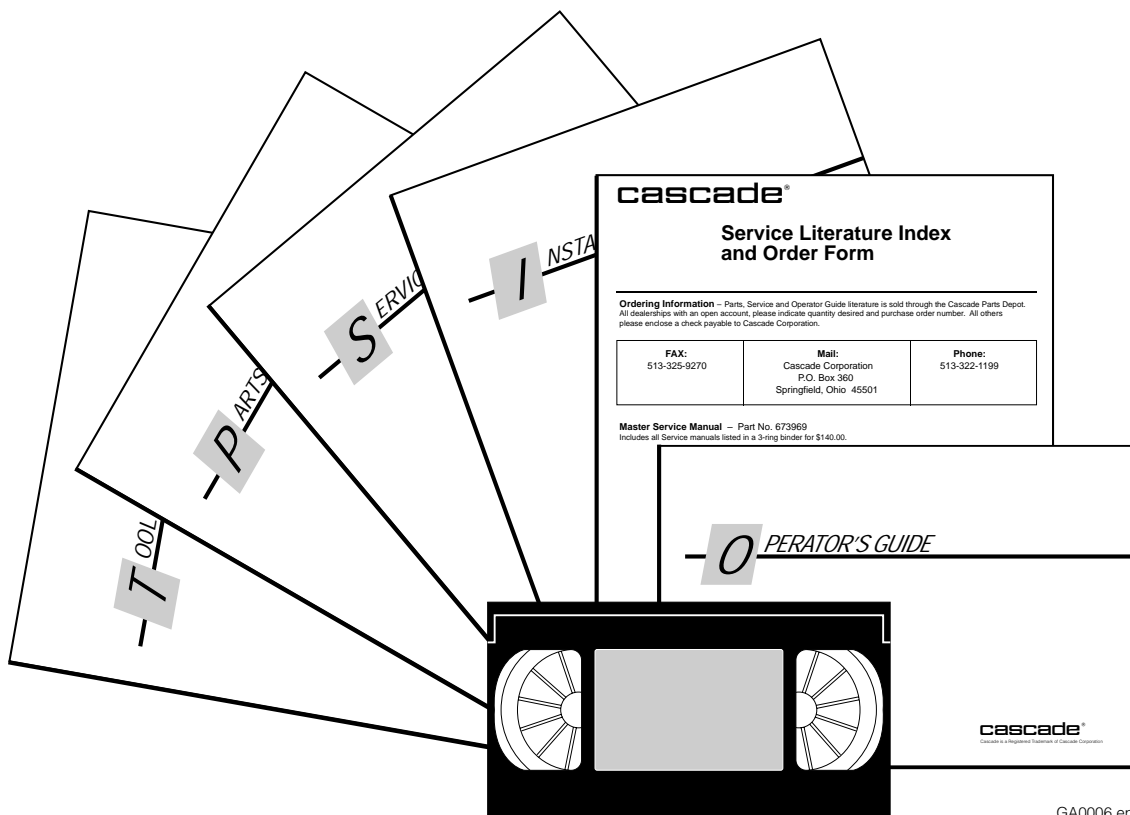
**To Order Parts call:** 888-227-2233, Fax: 888-329-0234

**OR**

**Write:** Cascade Corporation, P.O. Box 20187, Portland, OR 97220

**Internet:** [www.cascorp.com](http://www.cascorp.com)

# Publications

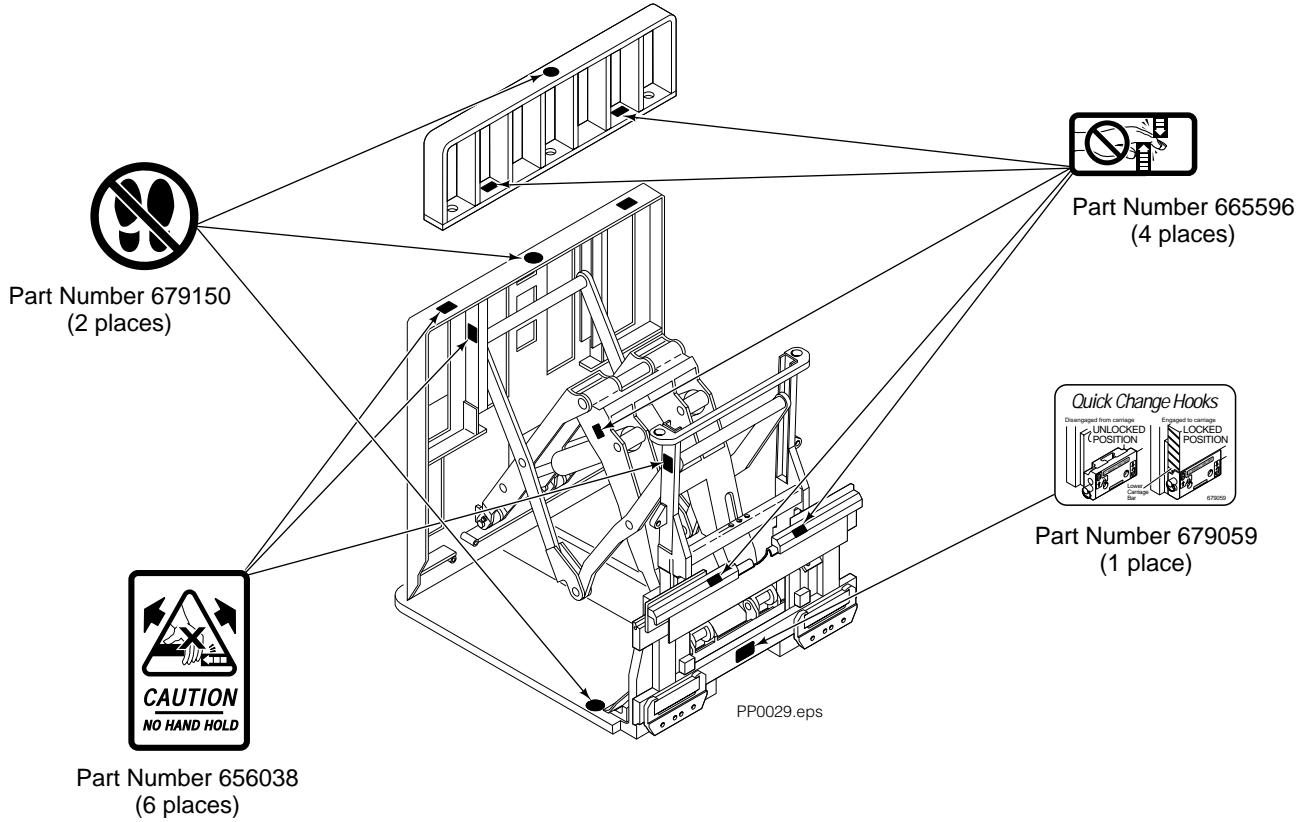


GA0006.eps

PART NO.	DESCRIPTION
	Parts Manual
686455	Service Manual
684945	Operators Guide
685531	Operators Pocket Guide
684944	Installation Instructions
680664	Servicing Cascade Cylinders-VHS
679929	Tool Catalog
673964	Literature Index Order Form

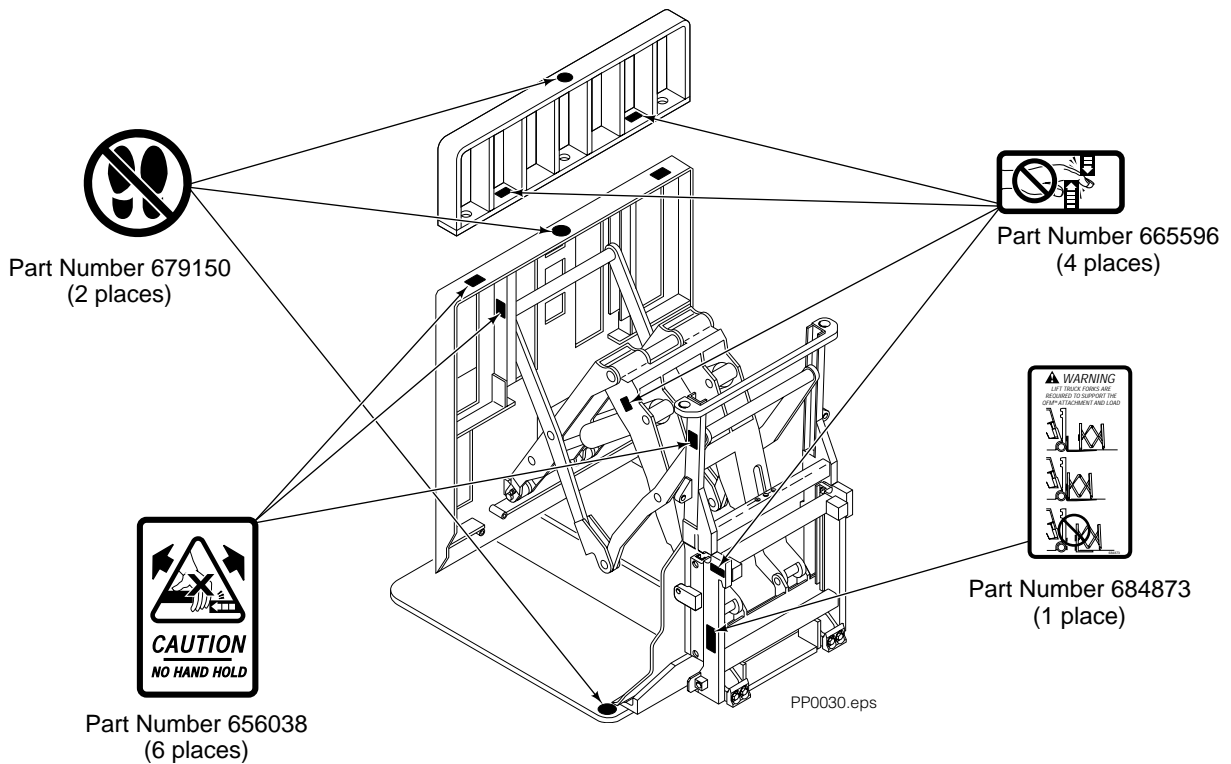
## Decals

### 35E/45E Sheet-Sav

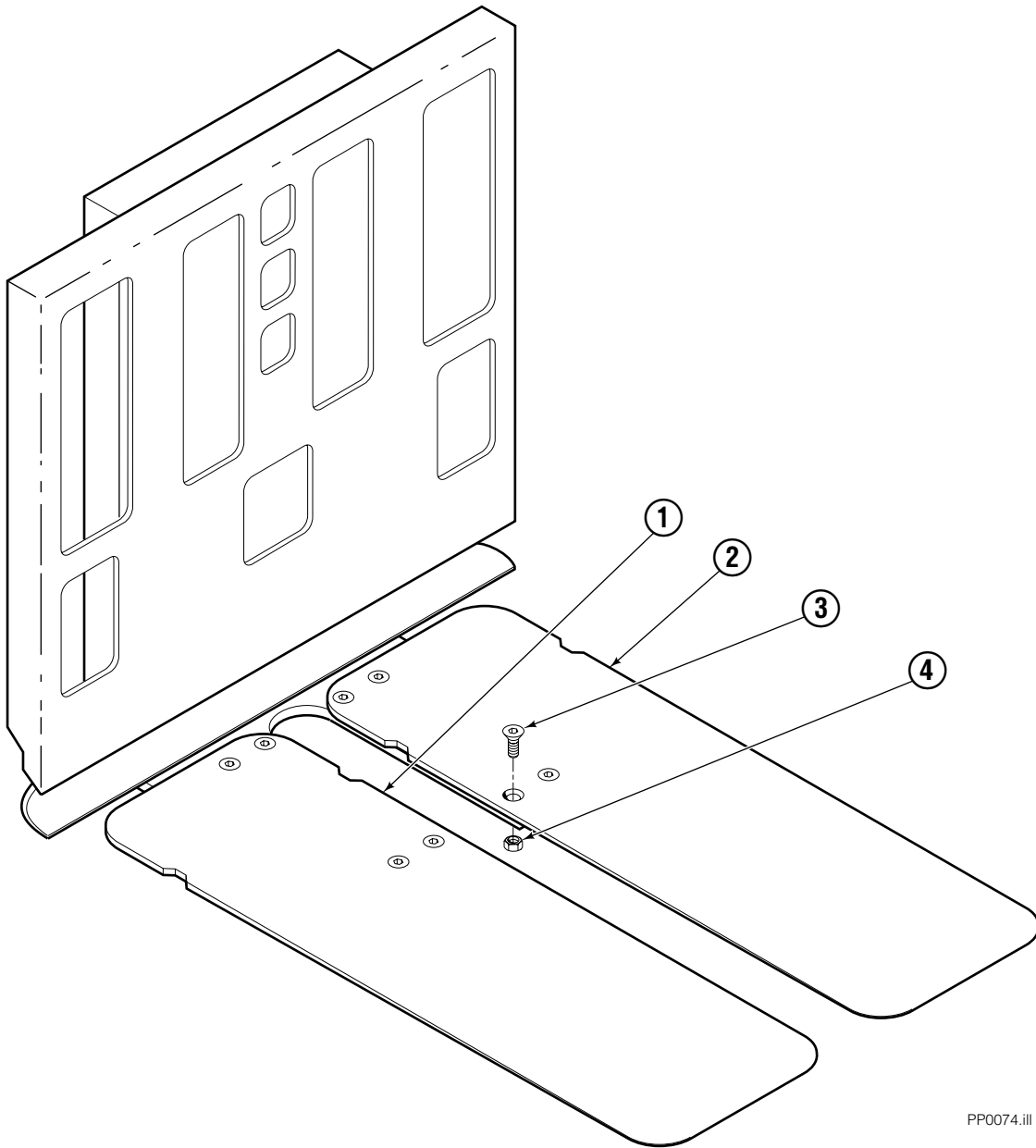


## Decals

### 35E/45E QFM™ Sheet-Sav



# Platens



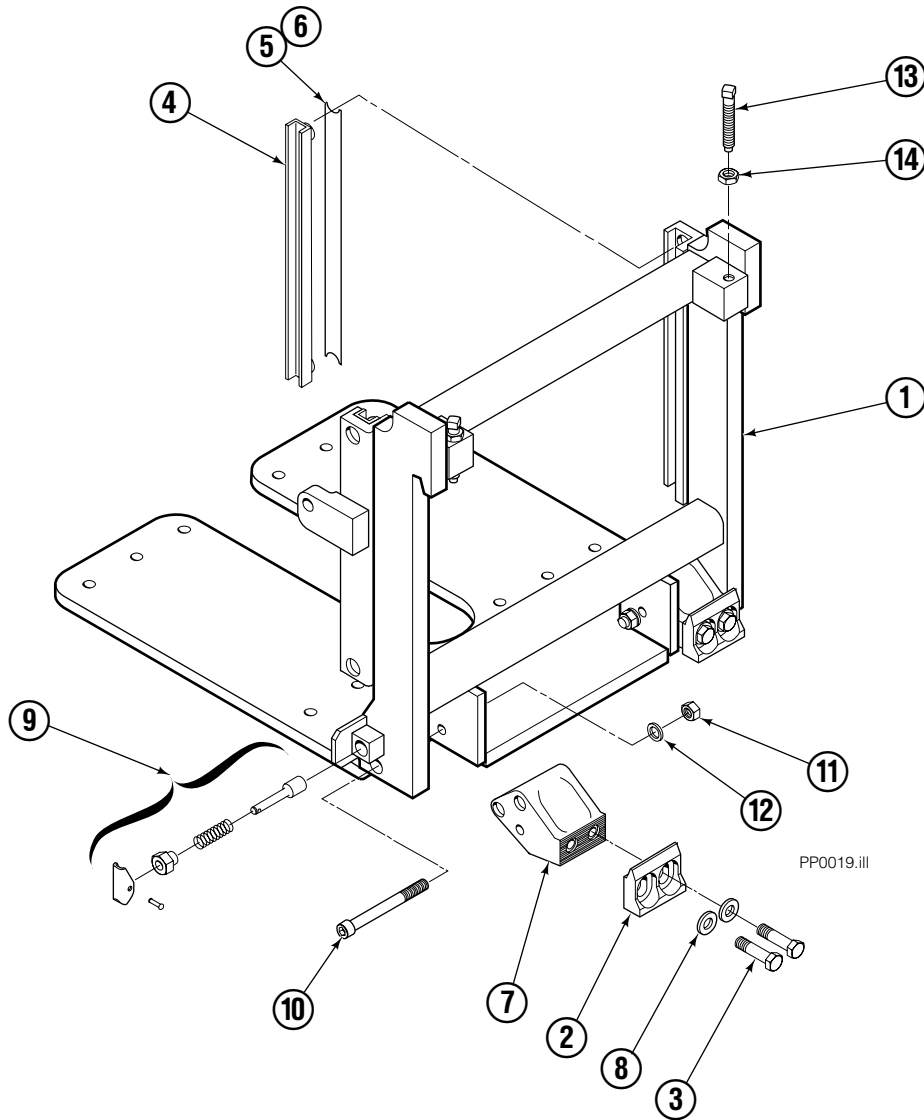
PP0074.ill

**Note:** Usable platen lengths are determined by measuring from end to end.

REF	QTY	PART NO.	DESCRIPTION
		6017233	Platen Group
1	1	6017234	Platen L. H. - 18 x 31
2	1	6017236	Platen R. H. - 18 x 31
3	8	768704	Capscrew, M12 x 25
4	8	773842	Nut, M12

Ref: S-3351.

# QFM™ Platen Carrier Group

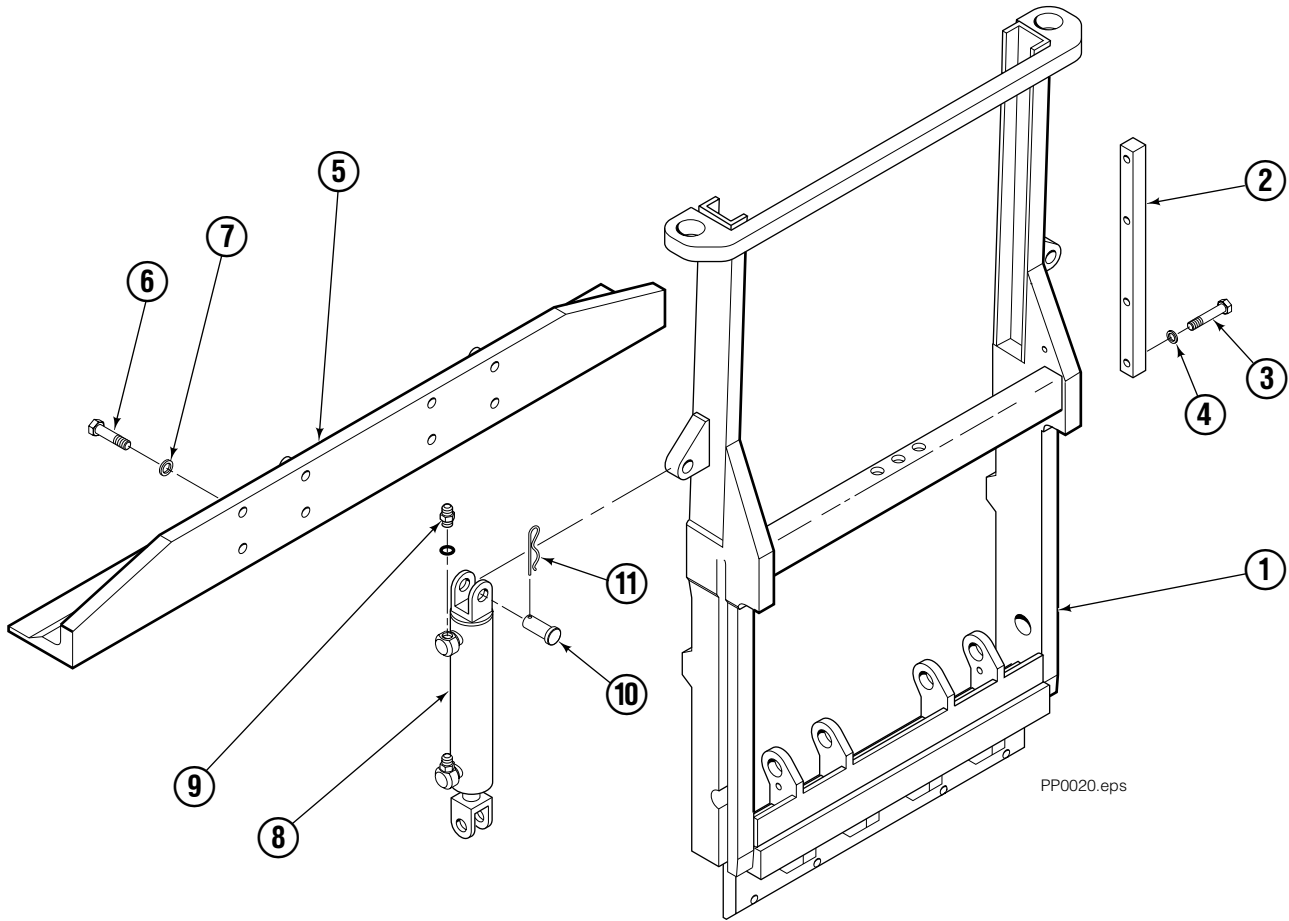


## 35E/45E

REF	QTY	PART NO.	DESCRIPTION	REF	QTY	PART NO.	DESCRIPTION
		207000	Platen Carrier Group ITA II	8	4	667910	Washer
1	1	207001	Platen Carrier ITA II	9	2	683189	Pin Assembly
2	2	676280	Hook ITA II	10	2	768837	Capscrew
3	4	768554	Capscrew ITA II	11	2	763025	Nut
4	2	206964	Bearing	12	2	681473	Lockwasher
5	■	674298	Shim (.015)	13	2	204938	Set Screw
6	■	674299	Shim (.020)	14	2	5930	Nut
7	2	683188	Pivot-Hook				

■ As required (1 maximum).

# Frame Group

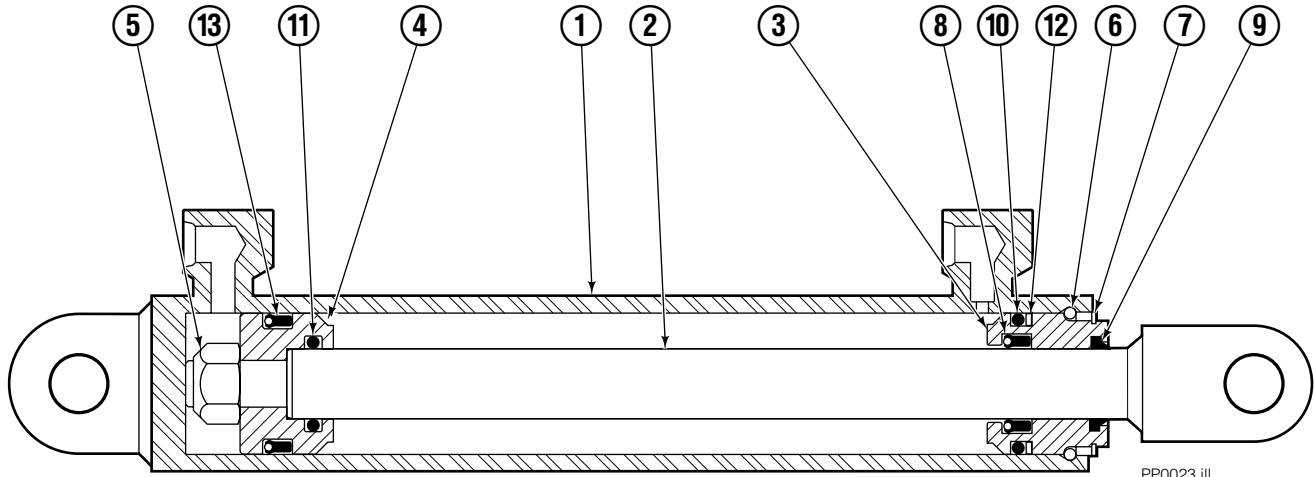


## 35E/45E

REF	QTY	PART NO.	DESCRIPTION
		206950	Frame Group
1	1	206945	Frame
2	1	206954	Bar
3	2	768525	Capscrew
4	2	686119	Washer
5	1	206955	Foot
6	8	766929	Capscrew
7	8	678991	Lockwasher
8	2	583942	Cylinder ■
9	4	617915	Fitting, 4-4
10	4	678525	Pin-Clevis
11	4	672726	Cotter Pin

■ See Cylinder page for parts breakdown.

# Sheet-Sav Cylinder



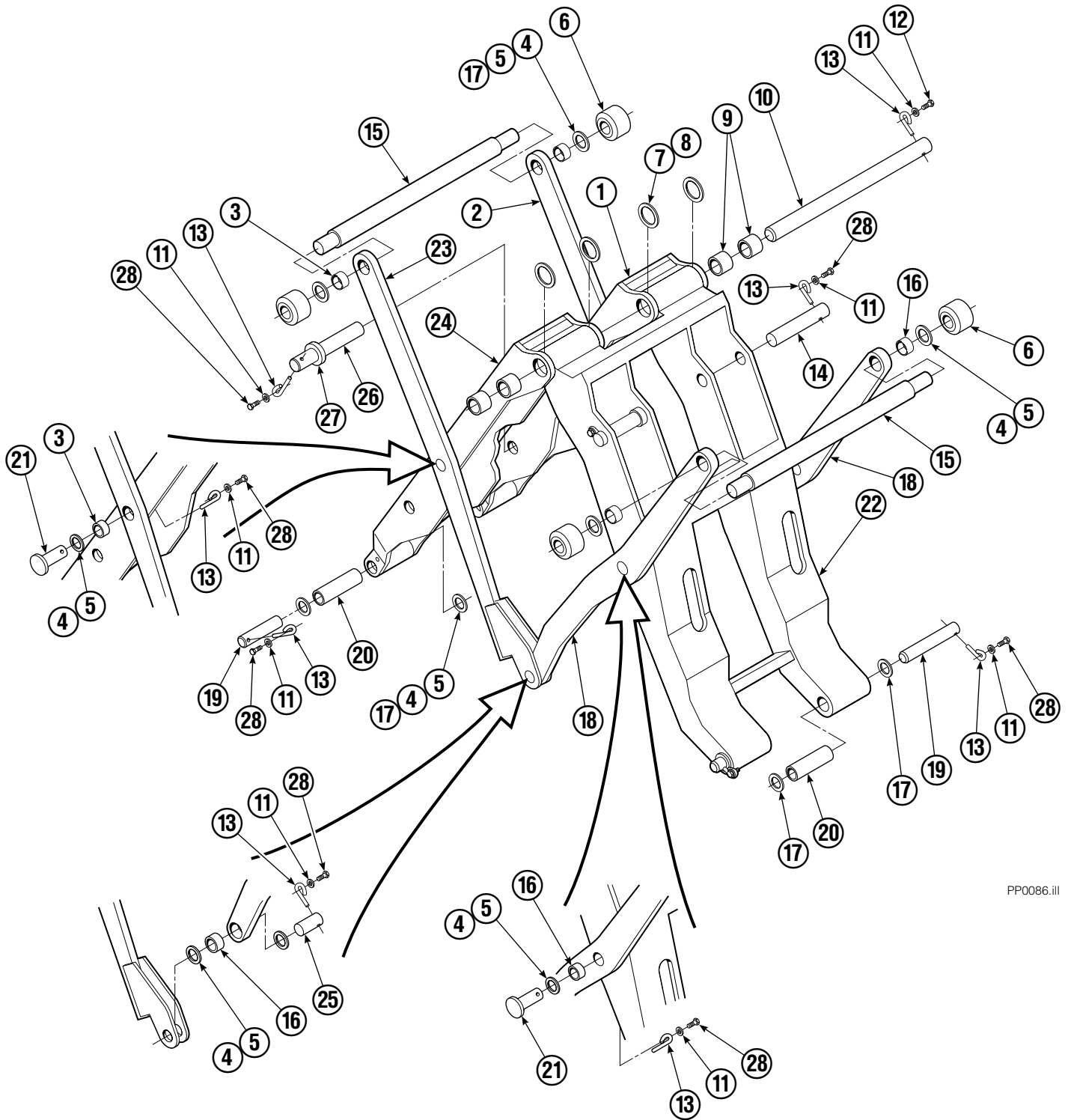
PP0023.ill

## 35E/45E

REF	QTY	PART NO.	DESCRIPTION
		583942	Cylinder Assembly
1	1	564162	Shell
2	1	564165	Rod
3	1	685664	Retainer
4	1	685665	Piston
5	1	563462	Nut
6	1	563916	Seal
7	1	3137	Retaining Ring
8	1	646540	■ Seal
9	1	636850	■ Wiper
10	1	2718	■ O-Ring
11	1	2710	■ O-Ring
12	1	615122	■ Back-up Ring
13	1	663728	■ Seal

■ Included in Service Kit 684827.

# Mechanism Group



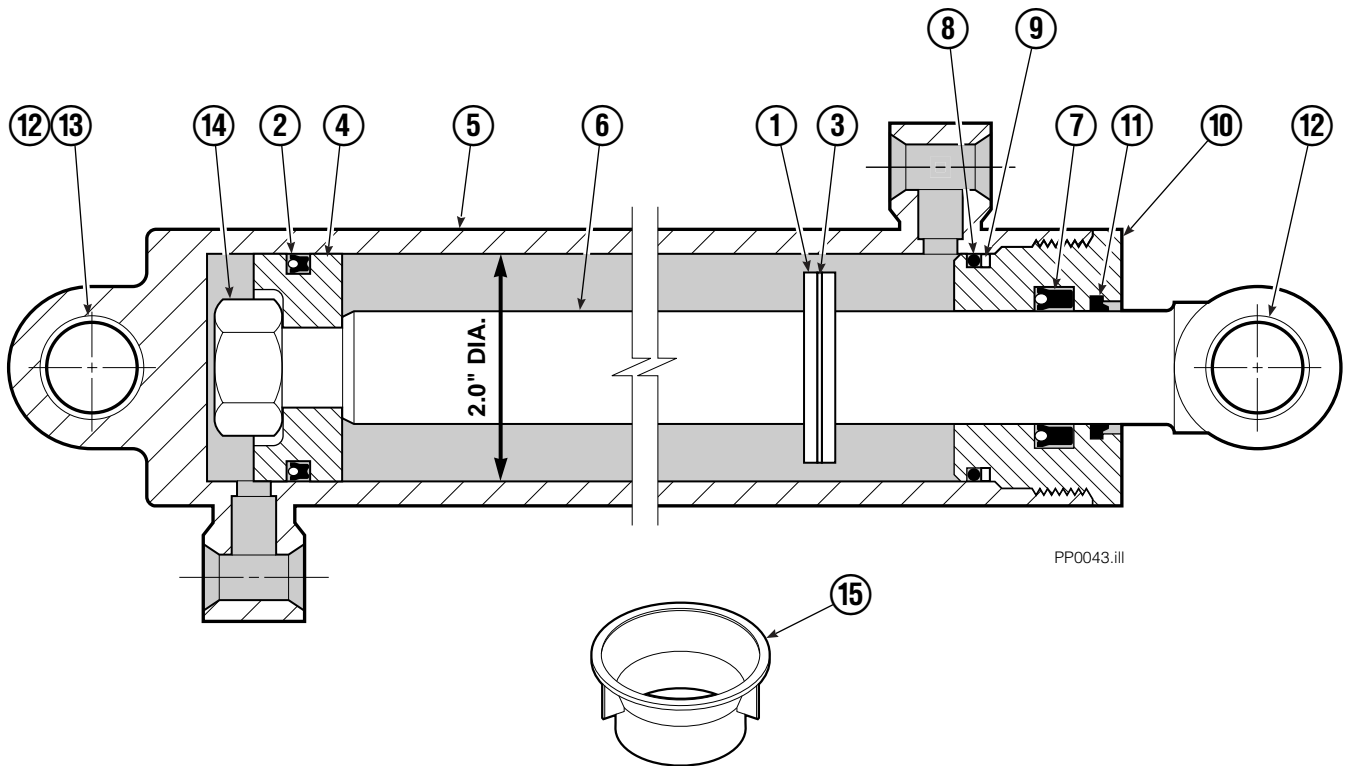
PP0086.ill

# Mechanism Group

<b>35E/45E</b>			
REF	QTY	PART NO.	DESCRIPTION
		204644	Mechanism Group
1	1	204691	Arm-Inner Secondary R. H.
2	1	204692	Arm-Secondary Outer R. H.
3	4	683154	■ Bushing
4	●	683161	Shim (.030)
5	●	683162	Shim (.060)
6	4	205070	Roller
7	●	683163	Shim (.030)
8	●	683164	Shim (.060)
9	4	683155	■ Bushing
10	1	682821	Pin
11	15	6229	Washer
12	2	685661	Capscrew
13	15	682999	Eye-Pin
14	2	682822	Pin-Head
15	2	205065	Pin
16	6	683153	■ Bushing
17	●	204532	Shim (.12)
18	2	204694	Arm-Outer Primary
19	4	204533	Pin-Frame
20	4	204535	■ Bushing
21	4	204695	Pin
22	1	204604	Arm-Inner Primary
23	1	204693	Arm-Secondary Outer L. H.
24	1	204690	Arm-Inner Secondary L. H.
25	2	204696	Pin-Outer
26	2	682823	Pin-Rod
27	2	683165	Spacer
28	13	767961	Capscrew

- Quantity as required.
- Included in Bushing Service Kit 205075.

# Cylinder

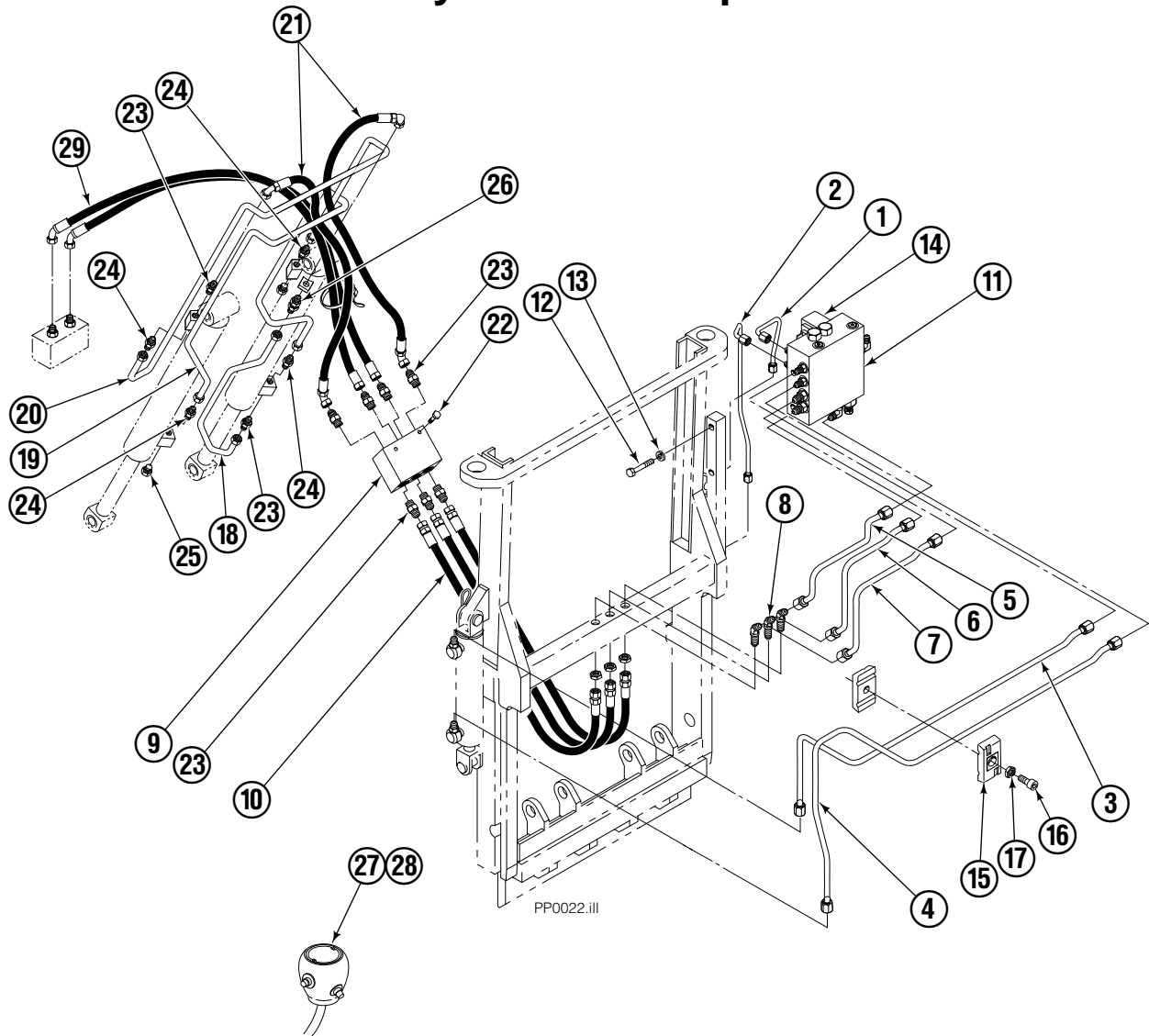


REF	QTY	PART NO.	DESCRIPTION
		6017237	Cylinder Assembly
1	1	6017238	Spacer
2	1	562552	■ Seal
3	1	7348	Snap Ring
4	1	562334	Piston
5	1	562716	Shell
6	1	558626	Rod
7	1	559705	■ Seal
8	1	2785	■ O-Ring
9	1	615128	■ Back-Up Ring
10	1	559696	Retainer
11	1	636853	■ Wiper
12	4	559697	Bearing
13	1	559698	Spacer
14	1	678019	Nut
15	1	671047	■ Seal Loader Kit

■ Included in Service Kit 562338.

Reference: S-3424.

# Hydraulic Group



## 35E/45E

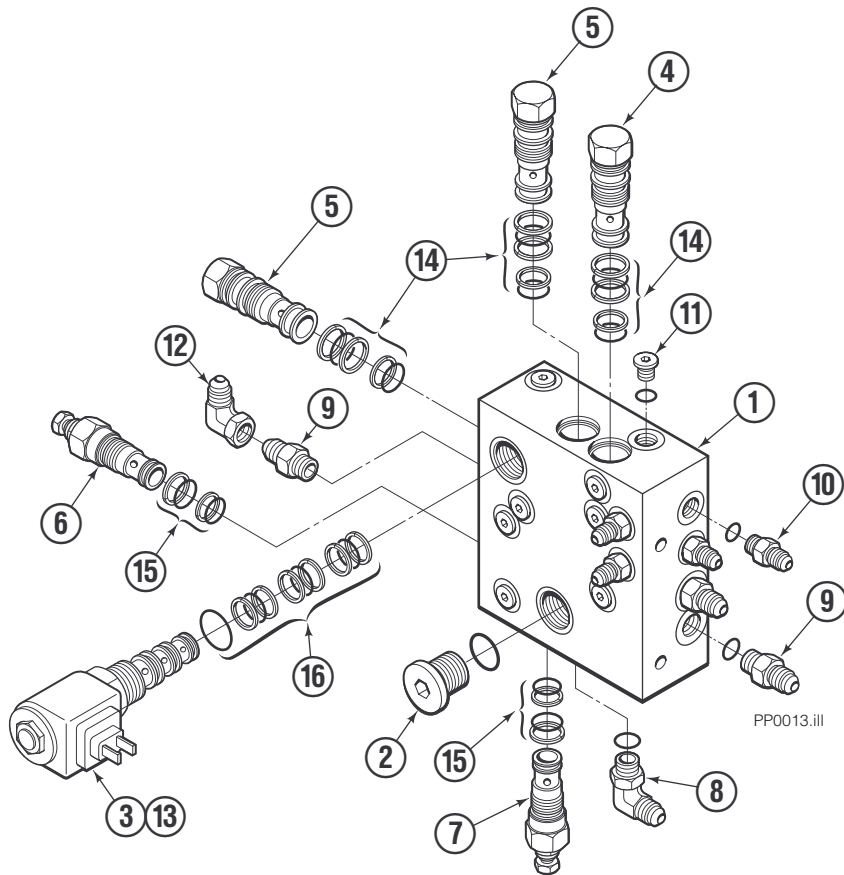
REF	QTY	PART NO.	DESCRIPTION	REF	QTY	PART NO.	DESCRIPTION
		206940	Hydraulic Group (without gripper control)	15	2	207041	Clamp
1	1	206931	Tube	16	1	768794	Capscrew
2	1	206932	Tube	17	1	767414	Nut
3	1	206933	Tube	18	1	200647	Tube
4	1	206934	Tube	19	1	200648	Tube
5	1	206935	Tube	20	1	200649	Tube
6	1	206936	Tube	21	2	683173	Hose
7	1	206937	Tube	22	2	765329	Capscrew
8	3	2492	Fitting, 6-6	23	7	604511	Fitting, 6-6
9	1	206927	Junction Block	24	4	605235	Fitting, 5-6
10	3	685981	Hose	25	2	604510	Fitting, 6
11	1	206942	■ Valve (without gripper control)	26	1	2375	Fitting, 6-6
12	2	768525	Capscrew	28	1	206939	● Knob (without gripper control)
13	2	686119	Washer	29	1	685831	Hose
14	1	669432	Diode (without gripper control)				

■ See Valve page for parts breakdown.

● See Knob page for parts breakdown.

# Valve

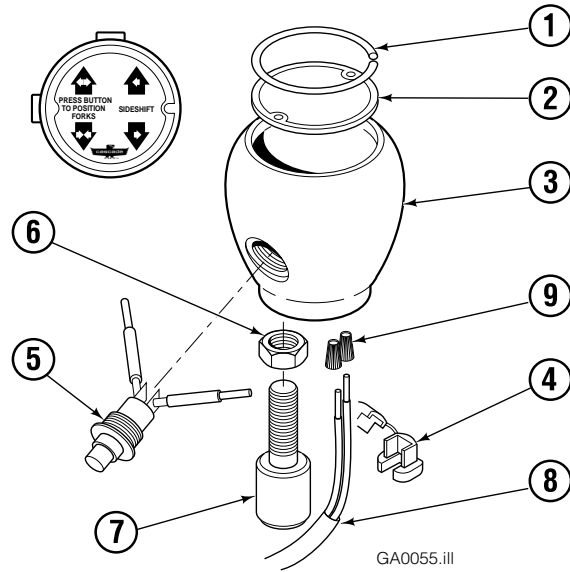
## Without Independent Gripper Control



<b>35E/45E</b>			
REF	QTY	PART NO.	DESCRIPTION
		206942	Valve Assembly
1	1	206943	Valve Body
2	1	609453	Fitting, 10
3	1	206991	Solenoid Valve
4	1	206944	Check Valve
5	2	659058	Check Valve
6	1	677125	Relief Valve
7	1	677124	Relief Valve
8	2	601676	Fitting, 6-6
9	3	604511	Fitting, 6-6
10	4	617915	Fitting, 4-4
11	12	609234	Fitting, 4
12	1	2680	Fitting, 6-6
13	1	206995	Coil – 12V ●
13	1	206996	Coil – 24V ●
13	1	206997	Coil – 36V ●
13	1	<b>206998</b>	Coil – 48V ●
14	3	667516	Service Kit
15	2	669597	Service Kit
16	1	667379	Service Kit

● Not included in Valve Assembly.

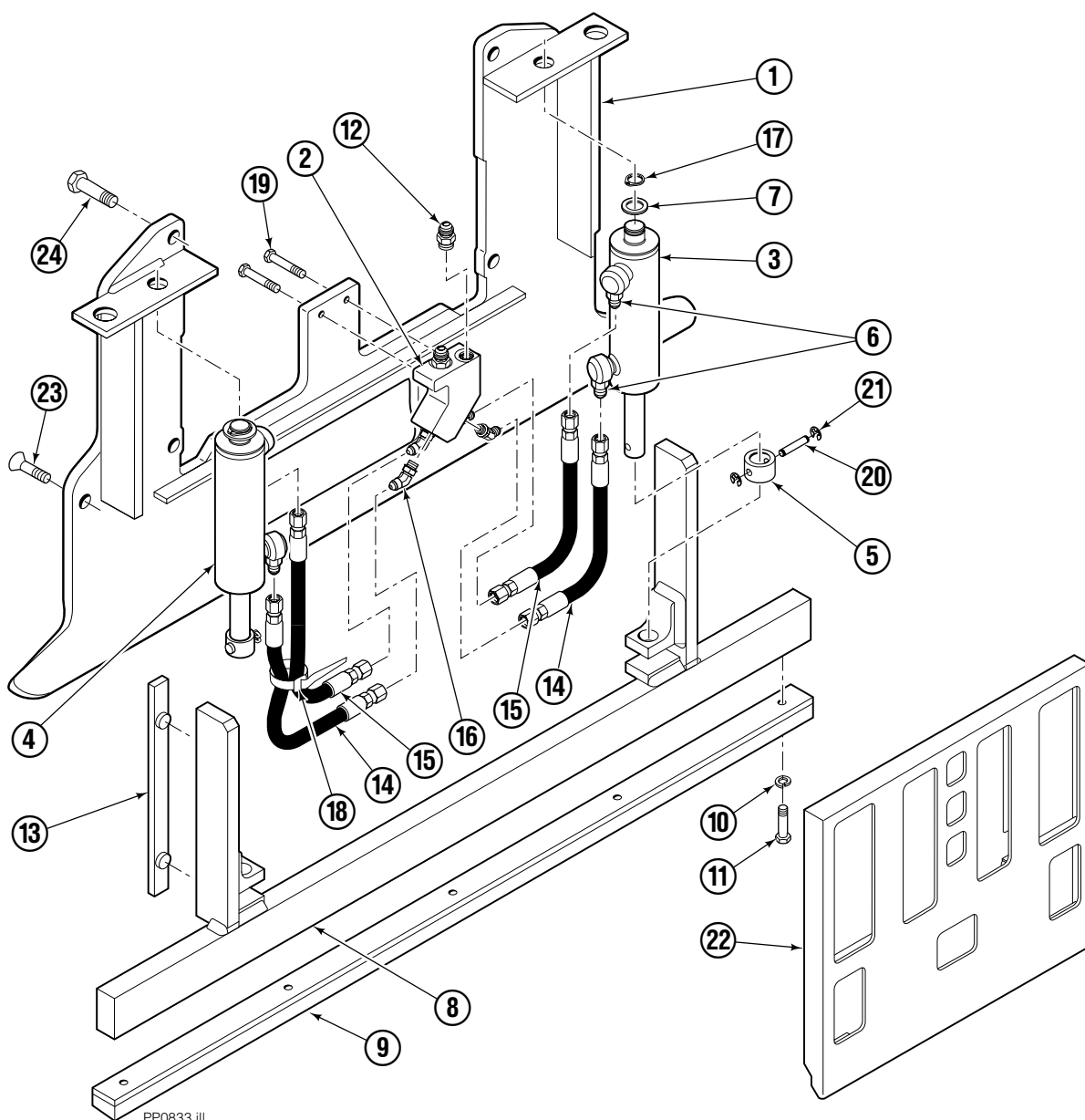
# Control Knob Without Gripper Control



35E/45E			
REF	QTY	PART NO.	DESCRIPTION
		206939	Knob Group
1	1	665250	Snap Ring
2	1	206986	Cover
3	1	667012	Knob
4	1	665076	Strain Relief
5	1	677112	■ Switch
6	1	5902	Nut, 3/8 NC
7	1	665081	Adapter
8	1	667718	Cable Assembly
9	2	667752	Connector – Gray

■ This switch may be purchased without wires. Order part number 665004. Soldering is required.

# Faceplate Group



PP0833.ill

## 45E

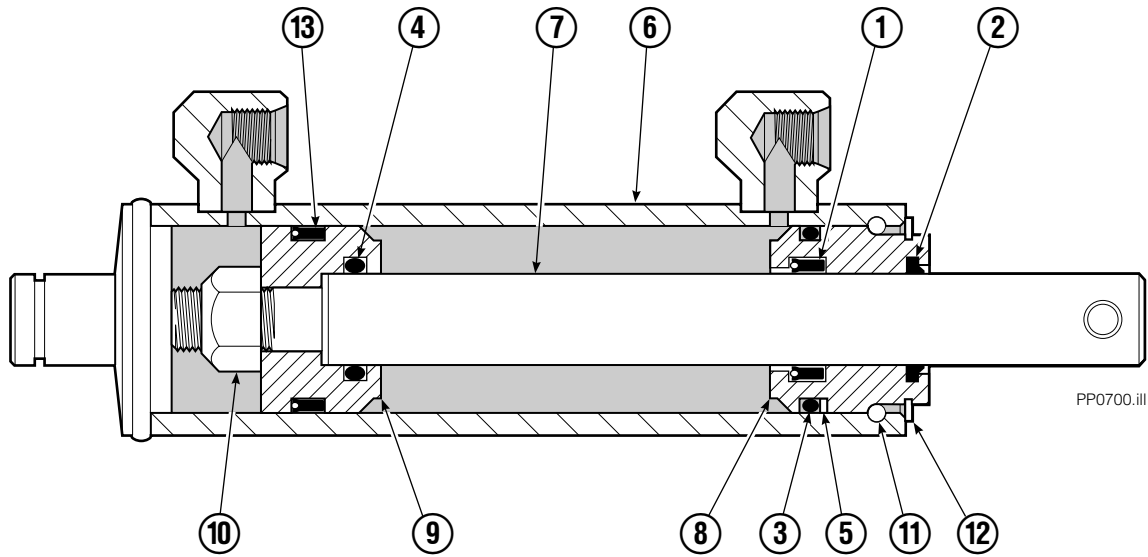
REF	QTY	PART NO.	DESCRIPTION	REF	QTY	PART NO.	DESCRIPTION
		6002141	Faceplate Group, 40 x 40 in. ■	12	2	604511	Fitting, 6-6
		6002140R6	Gripper Jaw Assembly ●	13	2	686573	Bearing
1	1	206396	Gripper Jaw	14	2	6002138	Hose, 315 mm
2	1	6002134	Valve	15	2	6002139	Hose, 450 mm
3	1	6020456	Gripper Cylinder, LH ◆	16	4	617918	Fitting, 4-4
4	1	6020455	Gripper Cylinder, RH ◆	17	2	6003718	Retaining Ring
5	2	6020451	Collar	18	4	684956	Wire Tie
6	4	617915	Fitting, 4-4	19	2	787373	Capscrew, M8 x 20
7	2	6001555	Washer	20	2	6020412	Pin
8	1	6002135	Gripper Bar	21	4	6020463	Retaining Ring
9	1	672712	Gripper Pad	22	1	6002142	Faceplate, 40 x 40 in. ■
10	5	680253	Lockwasher, M8	23	2	768714	Capscrew, M16 x 60
11	5	787375	Capscrew, M8 x 20	24	4	225346	Capscrew, M16 x 60

■ Width x height.

◆ See Gripper Cylinder page for parts breakdown.

● Includes items 1-21.

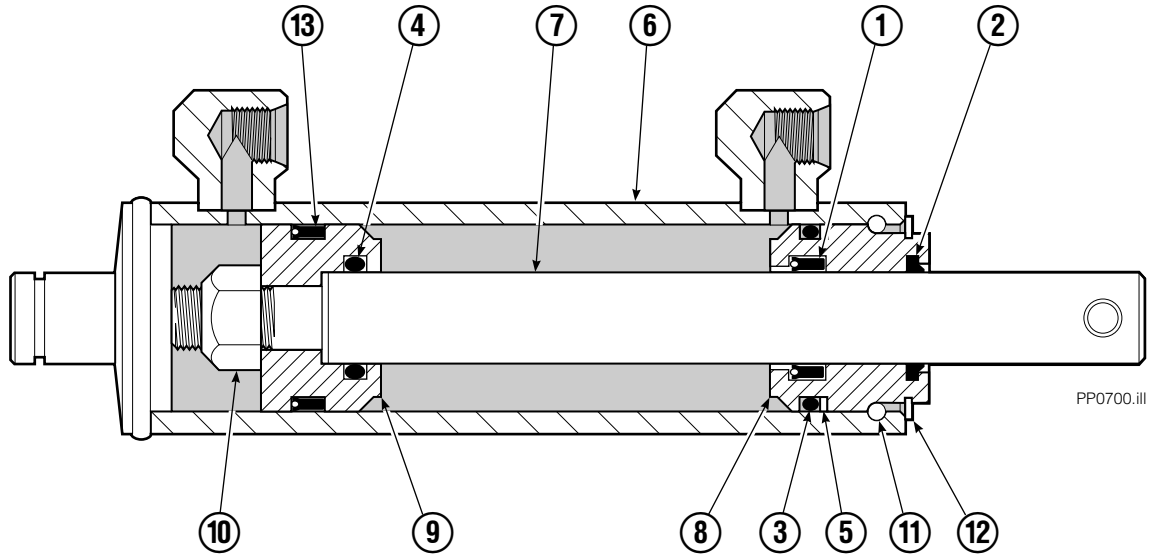
# Gripper Cylinder Left Hand



REF	QTY	PART NO.	DESCRIPTION
		6020456	Gripper Cylinder - LH
1	1	646540	▼ Seal
2	1	636850	▼ Wiper
3	1	2718	▼ O-Ring
4	1	2710	▼ O-Ring
5	1	615122	▼ Back-Up Ring
6	1	6002131	Shell
7	1	6020445	Rod
8	1	685664	Retainer
9	1	685665	Piston
10	1	563462	Nut
11	1	563916	Ring
12	1	3137	Ring
13	1	663728	▼ Piston Seal

▼ Included in Service Kit 684827.

# Gripper Cylinder Right Hand



REF	QTY	PART NO.	DESCRIPTION
		6020455	Gripper Cylinder – RH
1	1	646540	▼ Seal
2	1	636850	▼ Wiper
3	1	2718	▼ O-Ring
4	1	2710	▼ O-Ring
5	1	615122	▼ Back-Up Ring
6	1	6014091	Shell
7	1	6020445	Rod
8	1	685664	Retainer
9	1	685665	Piston
10	1	563462	Nut
11	1	563916	Ring
12	1	3137	Ring
13	1	663728	▼ Piston Seal

▼ Included in Service Kit 684827.



**Do you have questions you need answered right now?** Call your nearest Cascade Parts Department. Visit us online at [www.cascorp.com](http://www.cascorp.com)

**Cascade Corporation**  
2501 Sheridan Avenue  
Springfield, OH 45505  
Tel: 888-CASCADE (227-2233)  
FAX: 888-329-0234

**Cascade Canada Inc.**  
5570 Timberlea Blvd.  
Mississauga, Ontario  
Canada L4W-4M6  
Tel: 905-629-7777  
FAX: 905-629-7785

**Cascade GmbH**  
D-41199 Monchengladbach  
Klosterhofweg 52  
Germany  
Tel: 49-216-668230  
FAX: 49-216-6682323

**Cascade Finland**  
Albert Petreliuksenkatu 3  
01370 Vantaa  
Finland  
Tel: 358-9-836-1925  
FAX: 358-9-836-1935

**Cascade N.V.  
European Headquarters**  
P.O. Box 3009  
1300 El Almere  
Damsluisweg 56  
1332 ED Almere  
The Netherlands  
Tel: 31-36-5492911  
FAX: 31-36-5492964

**Cascade N.V.  
Benelux Sales and Service**  
P.O. Box 3009  
1300 El Almere  
Damsluisweg 56  
1332 ED Almere  
The Netherlands  
Tel: 31-36-5492950  
FAX: 31-36-5492974

**Cascade (UK) Ltd.**  
15, Orgreave Crescent  
Dore House Industrial Estate  
Handsworth  
Sheffield S13 9NQ  
England  
Tel: 742-697524  
FAX: 742-695121

**Cascade Scandinavia AB**  
Box 124  
Hammarvägen 10  
567 23 Vaggeryd  
Sweden  
Tel: 42-0-393-36950  
FAX: 46-0-393-36959

**Cascade Norway**  
Østerliveien 37A  
1153 Oslo  
Norway  
Tel: 47-22-743160  
FAX: 47-22-743157

**Cascade France S.A.R.L.**  
1D Rue De Charaintru  
BP 18, 91360 Epinay-Sur-Orge  
Morangis Cedex, France  
Tel: 33-1- 64547500  
FAX: 33-1-64547501

**Cascade Hispania S.A.**  
Carrer 5 Sector C  
Zona Franca Duanera  
Poligono de la Zon Franca  
08040 Barcelona, Spain  
Office No. 256  
Tel: 93-264-07-30  
FAX: 93-264-07-31

**Cascade Japan Ltd.**  
5-5-41,  
Torikai Kami  
Settsu, Osaka  
Japan, 566  
Tel: 81-726-53-3490  
FAX: 81-726-53-3497

**Cascade Korea**  
108B, Namdong Ind Complex  
658-3 Gojan-Dong  
Namdong-Gu  
Inchon, 405-310 Korea  
Tel: 82-32-821-2051  
FAX: 82-32-821-2055

**Cascade Australia**  
1445 Ipswich Road  
Rocklea, QLD 4106  
Australia  
Tel: 1-800227-223  
FAX: (07) 3373-7333

**Cascade New Zealand**  
15 Ra Ora Drive  
East Tamaki, Auckland  
New Zealand  
Tel: 9-273-9136  
FAX: 9-273-9137

**Cascade (Africa) Pty. Ltd.**  
P.O. Box 625, Isando 1600  
60A Steel Road  
Sparton, Kempton Park  
South Africa  
Tel: 27-11-975-9240  
FAX: 27-11-394-1147

**Cascade-Xiamen**  
No. 668 Yangguang Rd.  
Xinyang Industrial Zone  
Haicang, Xiamen City  
Fujian Province  
P.R. China 361026  
Tel: 86-592-651-2500  
FAX: 86-592-651-2571

**Cascade (Singapore)  
Trading Co.**  
Four Seasons Park  
Autumn Block - Apt. 1802  
12 Cuscaden Walk  
Singapore  
Tel: 65-834-1935  
FAX: 65-834-1936

