



# Parts Manual

---

## 40D Turnafork™ Clamps

---

Serial Numbers 672419 Through 676444

Manual Number 674524-R1

---

**cascade**®

Cascade is a Registered Trademark of Cascade Corporation • Turnafork is a Trademark of Cascade Corporation

# HOW TO USE THIS MANUAL

## Introduction

This manual illustrates service replacement parts for standard production Cascade 40D Turnafork.

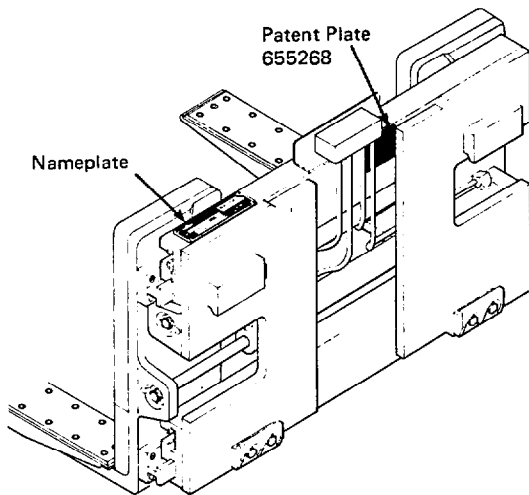
The parts manuals for attachments designed by the Application Engineering Department have an A.E.D. designation on the cover of the manual.

This standard attachment manual is not interchangeable with an A.E.D. Manual since it does not reflect the special engineering of an A.E.D. attachment.

To locate a service replacement part for a standard attachment follow the steps below.

### 1. Locate Nameplate

The nameplate is attached on the left side of the top arm frame. If the nameplate is missing, all necessary information is stamped into the frame at the same location.



### 2. Note the Serial Number

Record the six-digit Serial Number. See the example.

### 3. Refer to Serial Number Index

Locate your Serial Number in the Serial Number Index on the following page.

**IMPORTANT: DO NOT USE THIS MANUAL TO ORDER PARTS FOR AN A.E.D. ATTACHMENT.** Contact Cascade Corporation to obtain the correct parts manual. You must supply the serial number and all additional equipment numbers to order the correct manual.

### 4. Ordering

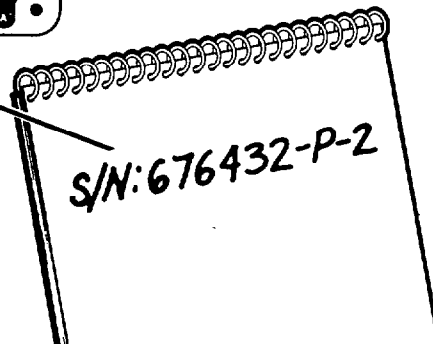
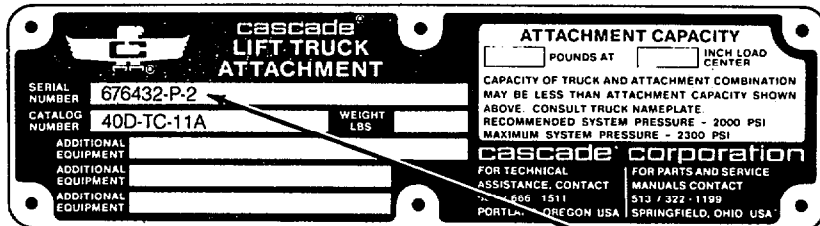
**RETAIL CUSTOMERS**—Cascade Service Replacement Parts and Service Literature are sold through authorized lift truck dealers. To order, contact the lift truck dealer of your choice.

**LIFT TRUCK DEALERS**—To order Service Replacement Parts or Service Literature, contact:

Cascade Parts Depot  
2501 Sheridan Avenue  
Box 360  
Springfield, Ohio 45505  
(513) 322-1199  
Telex: 279563  
FAX: 8-1-513-325-9270

### 5. For Your Convenience

We have supplied a parts ordering log located on the last page. Use this log as a permanent record of parts ordered from this manual.



# Serial Number Index

Serial Number	Model	Base Unit Group Page	Cylinder Page	Valve Group Page	Solenoid Adaption Page	Restrictor Cartridge Page	Contact Pad Group Page	Arm Group Page	Mounting Group Page	Backrest Group Page
672419	40D	2	4	5	7/8	9	—	11	12	13
674600	40D	1	3	5	7/8	9	10	11	12	13
674601	40D	1	3	5	7/8	9	10	11	12	13
674602	40D	1	3	5	7/8	9	10	11	12	13
674603	40D	1	3	5	7/8	9	10	11	12	13
674604	40D	1	3	5	7/8	9	10	11	12	13
674605	40D	1	3	5	7/8	9	10	11	12	13
674606	40D	1	3	5	7/8	9	—	11	12	13
675334	40D	1	3	5	7/8	9	10	11	12	13
675335	40D	1	3	5	7/8	9	10	11	12	13
675336	40D	1	3	5	7/8	9	10	11	12	13
675337	40D	1	3	5	7/8	9	10	11	12	13
675338	40D	1	3	5	7/8	9	10	11	12	13
675339	40D	1	3	5	7/8	9	10	11	12	13
676432	40D	1	3	6	7/8	9	10	11	12	13
676433	40D	1	3	6	7/8	9	10	11	12	13
676434	40D	1	3	6	7/8	9	10	11	12	13
676435	40D	1	3	6	7/8	9	10	11	12	13
676436	40D	1	3	6	7/8	9	10	11	12	13
676437	40D	1	3	6	7/8	9	10	11	12	13
676438	40D	1	3	6	7/8	9	—	11	12	13
676439	40D	1	3	6	7/8	9	10	11	12	13
676440	40D	1	3	6	7/8	9	10	11	12	13
676441	40D	1	3	6	7/8	9	10	11	12	13
676442	40D	1	3	6	7/8	9	10	11	12	13
676443	40D	1	3	6	7/8	9	10	11	12	13
676444	40D	1	3	6	7/8	9	10	11	12	13

**Publications**

①

**Service Manual**

25D, 35D, 40D, 50D  
Non-Sideshifting and Sideshifting Clamps  
40D Turnafork

Serial Numbers 668686 through 675505

Fork Clamps  
Bale Clamps  
Drum Clamps  
Multi-Purpose/Rigid Arm Clamps  
Clamps without Arms  
Turnafork™ Clamps

Manual Number 669224-R1  
CASCAD®

②

**Parts Manual**

40D  
Turnafork™ Clamps


Serial Numbers 672419 Through 676444

Manual Number 674524-R1  
CASCAD®

③

**Operator's Guide**

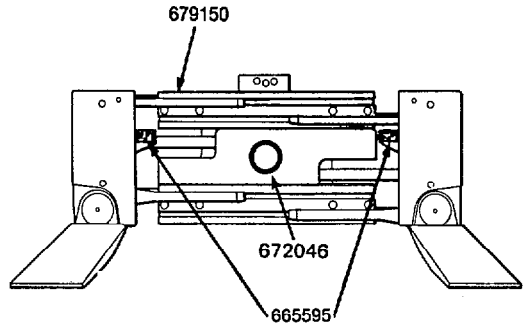
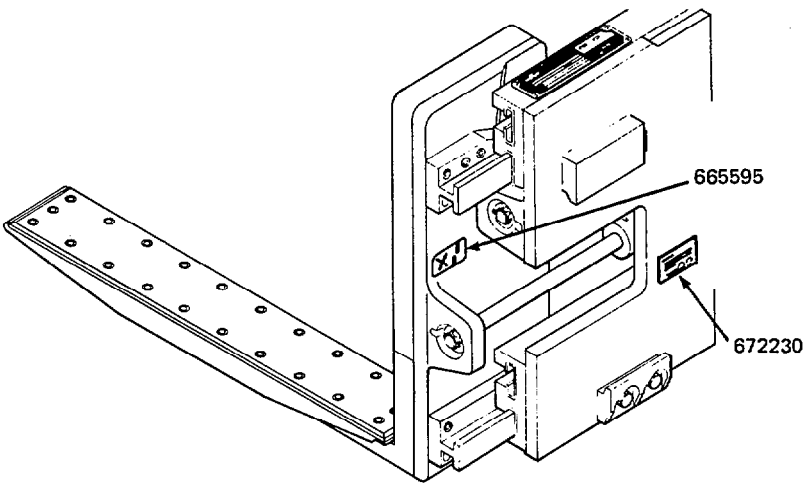
25D, 35D, 40D, 50D, 70D, 80D  
Non-Sideshifting and Sideshifting Clamps  
40D Turnafork



Manual Number 672994-R1  
CASCAD®

30C/45C		
REF. NO.	PART NO.	DESCRIPTION
1	669224	Service Manual
2	674524	Parts Manual
3	672994	Operator's Guide

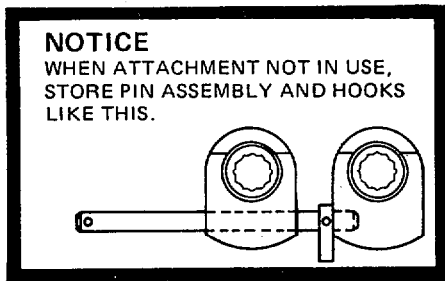
# Safety Decals



QTY.	PART NO.	DESCRIPTION
1	679150	No Step Decal

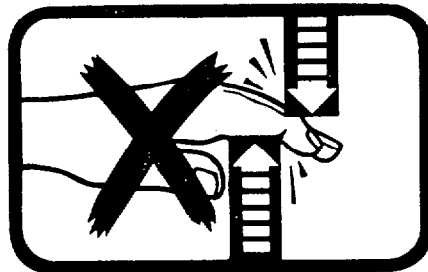


QTY.	PART NO.	DESCRIPTION
1	672046	Warning Decal



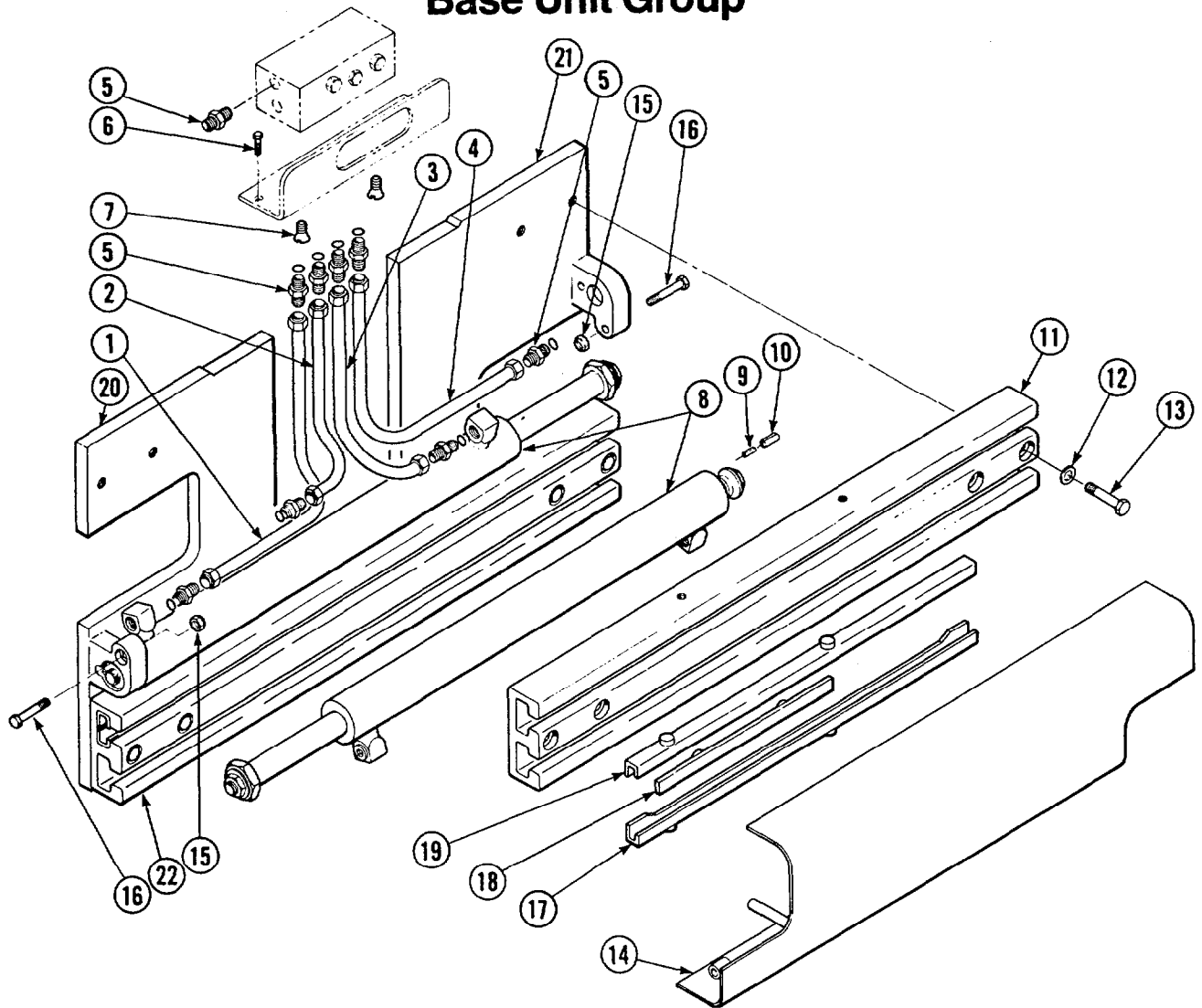
Attachments with Q.D. lower hooks

QTY.	PART NO.	DESCRIPTION
1	672230	Q.D. Hook Decal



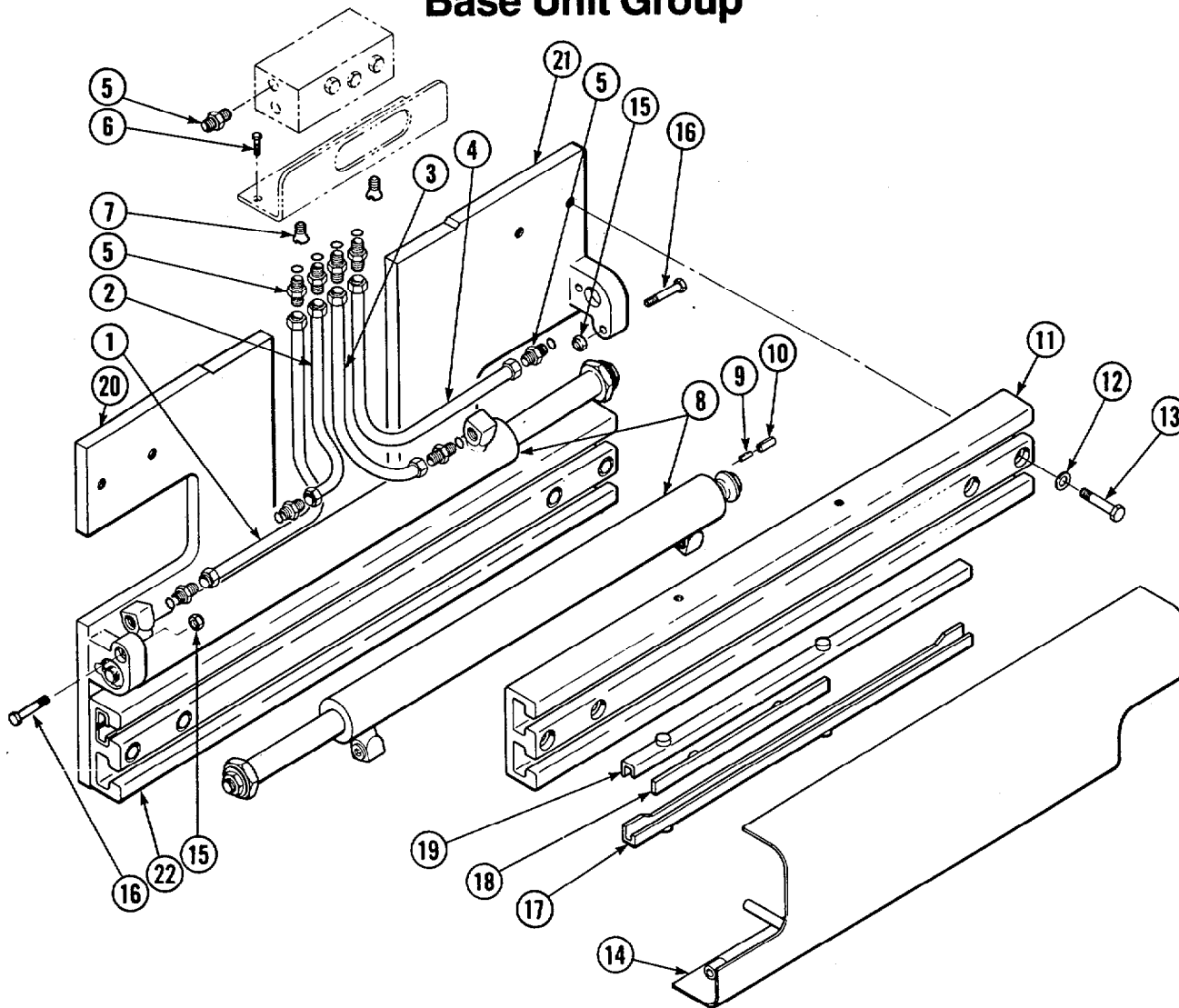
QTY.	PART NO.	DESCRIPTION
4	665595	No Hand Hold Decal

# Base Unit Group



40D			
REF. NO.	QTY.	PART NO.	DESCRIPTION
		674598	Base Unit Group - ITA II
		674599	Base Unit Group - ITA III
1	1	667680	Tube
2	1	667713	Tube
3	1	667712	Tube
4	1	667677	Tube
5	9	601377	Fitting
6	3	669954	Capscrew, 3/8 UNC x 5/8
7	2	4749	Capscrew, 3/8 UNC x 5/8
8	2	555435	Cylinder
9	2	7882	Roll Pin - Inner
10	2	7961	Roll Pin - Outer
11	1	667659	Frame - Upper
12	8	667225	Washer
13	8	667644	Capscrew, 5/8 UNC x 3 1/4 GR5
14	1	678679	Bumper
15	2	665707	Nut
16	2	3660	Capscrew, 1/2 UNC x 2 3/4
17	4	667661	Bearing
18	4	667663	Bearing
19	4	667662	Bearing
20	1	667647	Mounting Plate - R.H. ITA II
	1	667655	Mounting Plate - R.H. ITA III
21	1	667646	Mounting Plate - L.H. ITA II
	1	667654	Mounting Plate - L.H. ITA III
22	1	674167	Frame - Lower

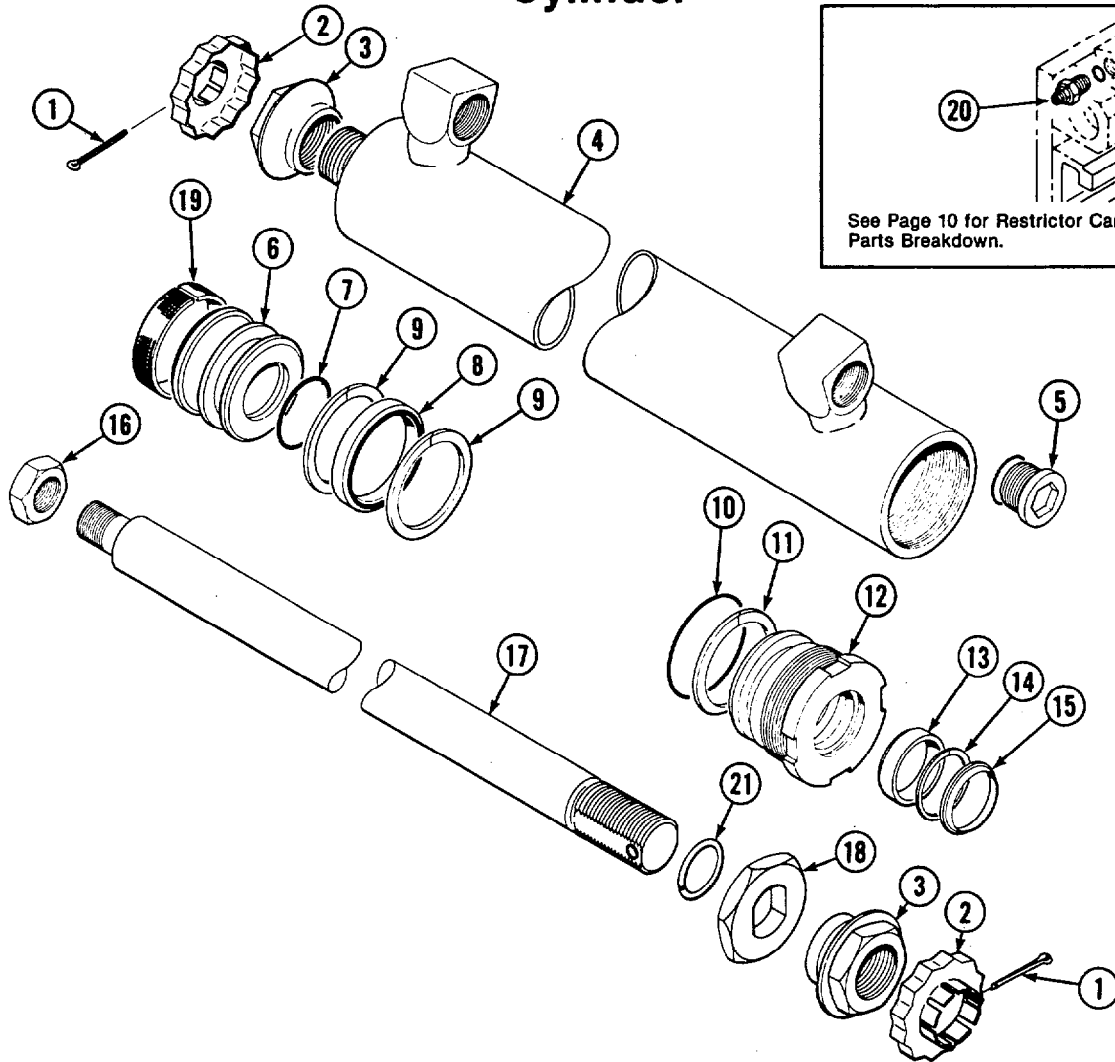
# Base Unit Group



40D			
REF. NO.	QTY.	PART NO.	DESCRIPTION
		669270	Base Unit Group - ITA II
1	1	667680	Tube
2	1	667713	Tube
3	1	667712	Tube
4	1	667677	Tube
5	9	601377	Fitting
6	3	669954	Capscrew, 3/8 UNC x 5/8
7	2	4749	Capscrew, 3/8 UNC x 5/8
8	2	669208	Cylinder
9	2	7882	Roll Pin - Inner
10	2	7961	Roll Pin - Outer
11	1	667659	Frame - Upper
12	8	667225	Washer
13	8	667644	Capscrew, 5/8 UNC x 3-1/4 GR5
14	1	669239	Bumper
15	2	665707	Nut
16	2	3660	Capscrew, 1/2 UNC x 2-3/4
17	4	667661	Bearing
18	4	667663	Bearing
19	4	667662	Bearing
20	1	667647	Mounting Plate - R.H. ITA II
21	1	667646	Mounting Plate - L.H. ITA II
22	1	674167	Frame - Lower



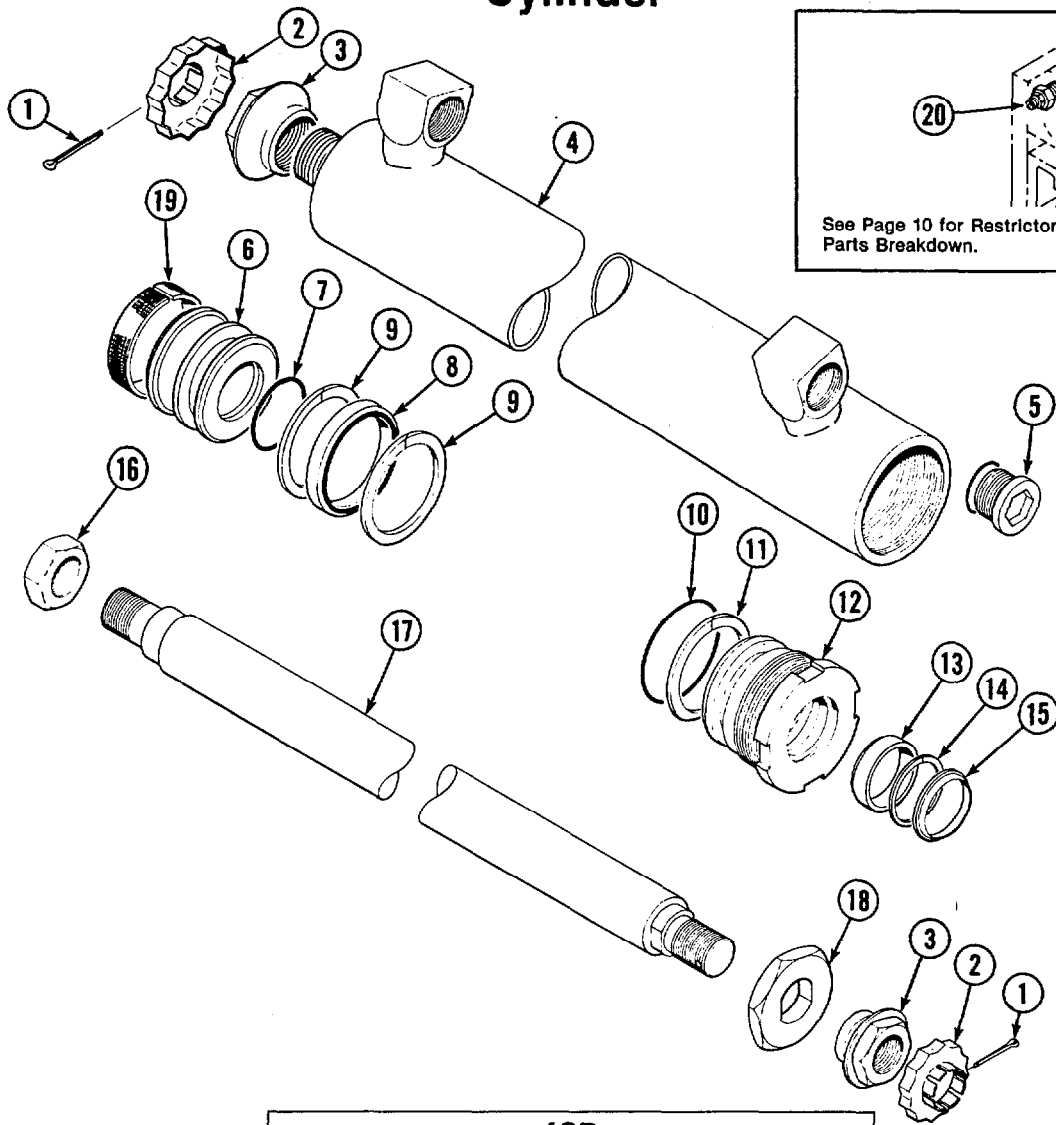
# Cylinder



40D			
REF. NO.	QTY.	PART NO.	DESCRIPTION
		555435	Cylinder Assy.
■ 1	2	6511	Cotter Pin
■ 2	2	667667	Retainer
■ 3	2	667668	Nut
4	1	555436	Shell
5	1	602580	Plug
6	1	670891	Piston
● 7	1	2716	O-Ring
● 8	1	662454	Seal
● 9	2	638249	Nylon Ring
●10	1	2787	O-Ring
●11	1	615130	Back-Up Ring
12	1	667917	Retainer
●13	1	662448	Seal
●14	1	638243	Nylon Ring
●15	1	636853	Wiper
16	1	667623	Nut
17	1	555437	Rod
18	1	555439	Washer
●19	1	660761	Bearing
◆20	2	667609	Restrictor Cartridge
21	1	555440	Retaining Ring
		667995	Service Kit
		668925	Nut Service Kit

- Included in Service Kit
- Included in Nut Service Kit
- ◆ Not included in Cylinder Assembly

# Cylinder

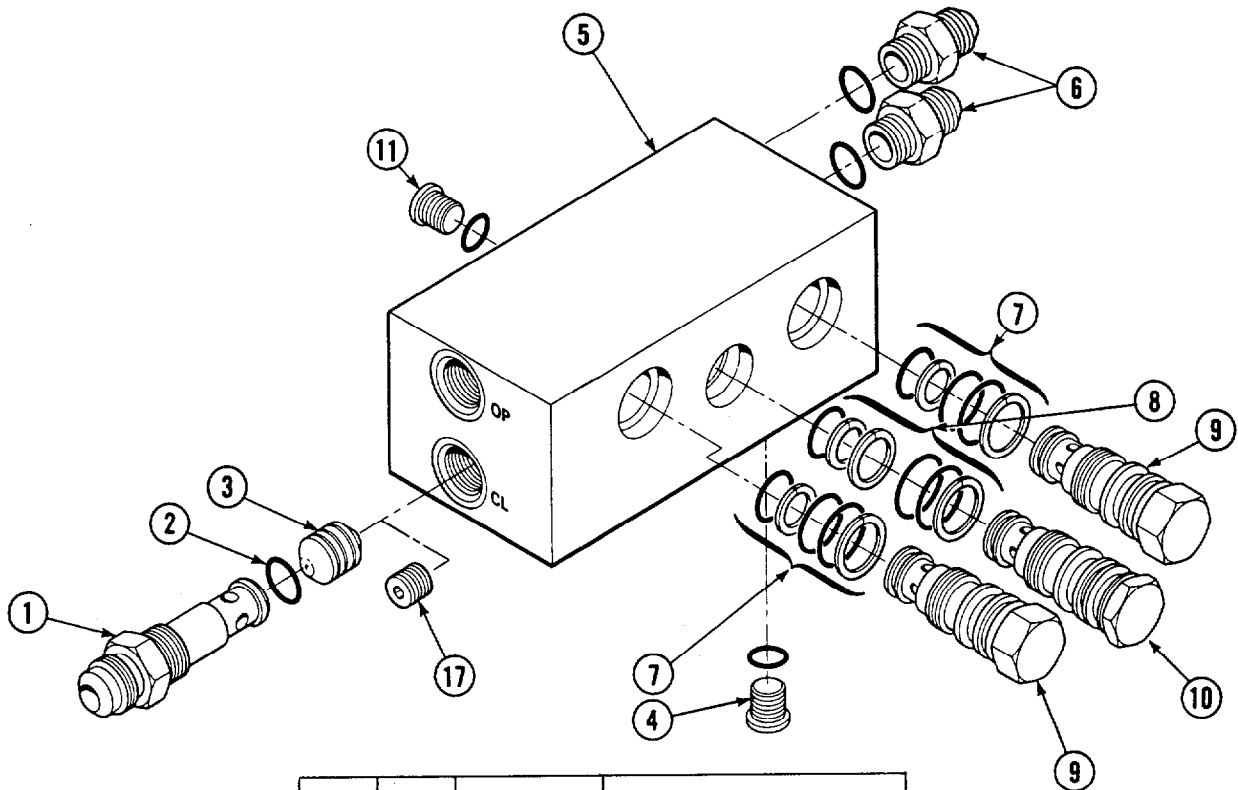
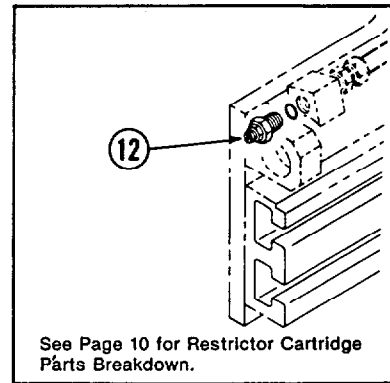
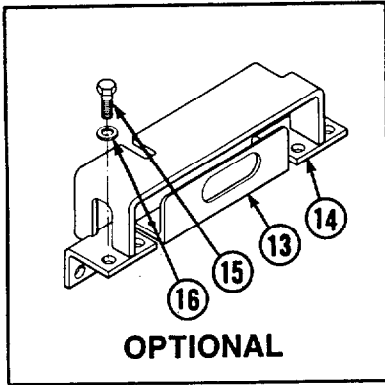


See Page 10 for Restrictor Cartridge Parts Breakdown.

40D			
REF. NO.	QTY.	PART NO.	DESCRIPTION
		669208	Cylinder Assy.
■ 1	2	6511	Cotter Pin
■ 2	2	667667	Retainer
■ 3	2	667668	Nut
4	1	553759	Shell
5	1	602580	Plug
6	1	670893	Piston
● 7	1	2722	O-Ring
● 8	1	662457	Seal
● 9	2	638250	Nylon Ring
● 10	1	2791	O-Ring
● 11	1	615134	Back-Up Ring
12	1	669492	Retainer
● 13	1	636701	Seal
● 14	1	662455	Nylon Ring
● 15	1	624572	Wiper
16	1	667665	Nut
17	1	669209	Rod
18	1	667676	Washer
● 19	1	660764	Bearing
◆ 20	2	667609	Restrictor Cartridge
		668925	Nut Service Kit
		669489	Service Kit

- Included in Service Kit
- Included in Nut Service Kit
- ◆ Not included in Cylinder Assembly

# Valve Group Sideshift



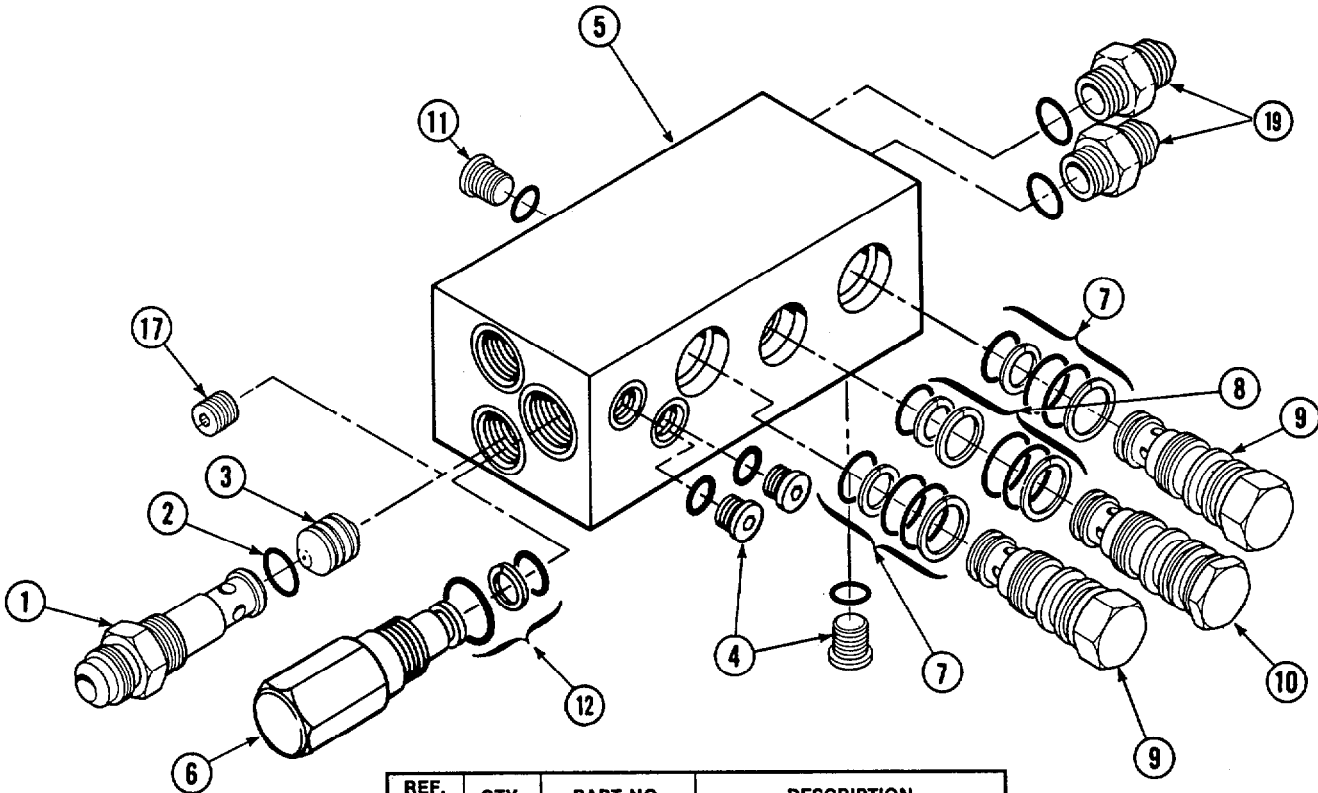
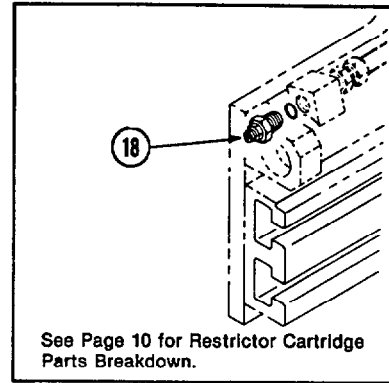
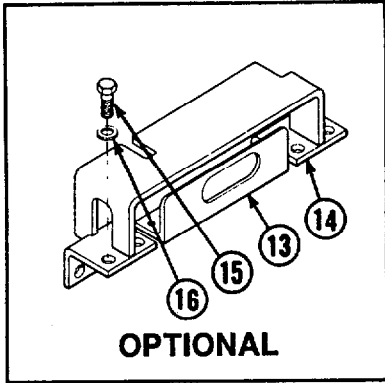
REF. NO.	QTY.	PART NO.	DESCRIPTION
		668915	Valve Group - Sideshift
■		668865	Check Valve - Sideshift
1	1	667490	Special Fitting
● 2	1	2841	O-Ring
3	1	667471	Spool
4	1	609455	Plug
5	1	668866	Valve Body
6	2	604511	Fitting
● 7	2	667516	Service Kit
● 8	1	661347	Service Kit
9	2	659058	Check Valve - PO
10	1	678270	Check Valve - VPO
11	1	604510	Plug
12	2	667609	Restrictor Cartridge
13	1	669999	Bracket
14	1	670000	Guard - 40D
15	4	670004	Capscrew, 1/2 NC x 1.25
16	4	6232	Washer
◆ 17	1	676343	Regeneration Plug
		668868	Service Kit

- Included in Service Kit 668868.
- Contains items 1 through 11 only.
- ◆ For eliminating regeneration circuit only.



# Valve Group

## Sideshift

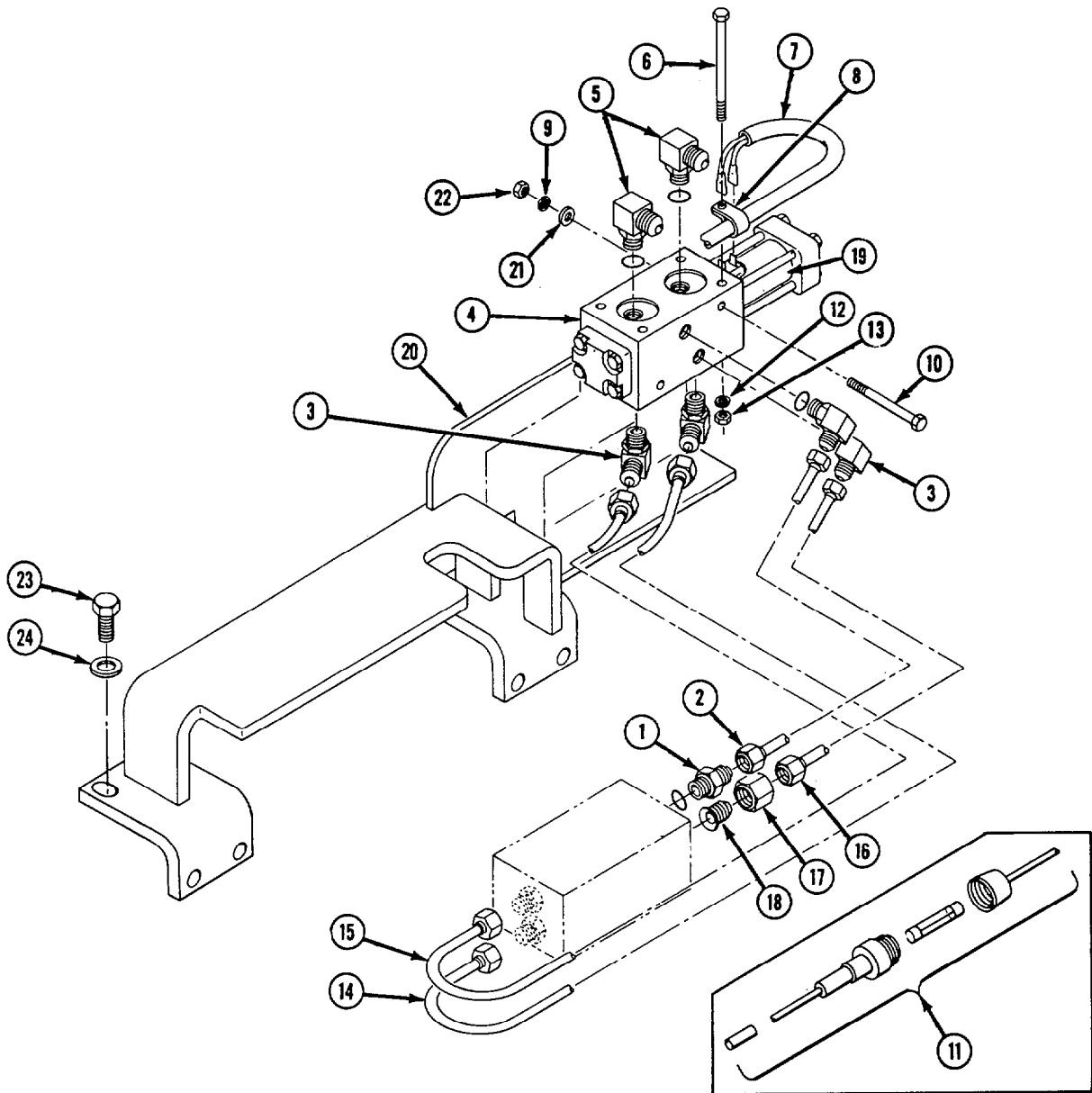


REF. NO.	QTY.	PART NO.	DESCRIPTION
		676428	Valve Group, Sideshift
■		667475	Check Valve, Sideshift
1	1	667470	Special Fitting
●	1	2841	O-Ring
3	1	667471	Spool
4	3	609455	Plug
5	1	667476	Valve Body
6	1	667078	Relief Valve-2000 PSI
●	2	667516	Service Kit
●	1	661347	Service Kit
9	2	659058	Check Valve, PO
10	1	678270	Check Valve, VPO
11	1	604510	Plug
12	1	667510	Seal Kit
13	1	669999	Bracket
14	1	670000	Guard, 40D
15	4	670004	Capscrew, 1/2 NC X 1.25
16	4	6232	Washer
◆	1	676343	Regeneration Plug
18	2	667609	Restrictor Cartridge
19	2	604511	Fitting, 6

- Included in Service Kit 668868.
- Contains items 1 through 12 only.
- ◆ For eliminating regeneration circuit only.

# Solenoid Adaption Group

Without Backrest



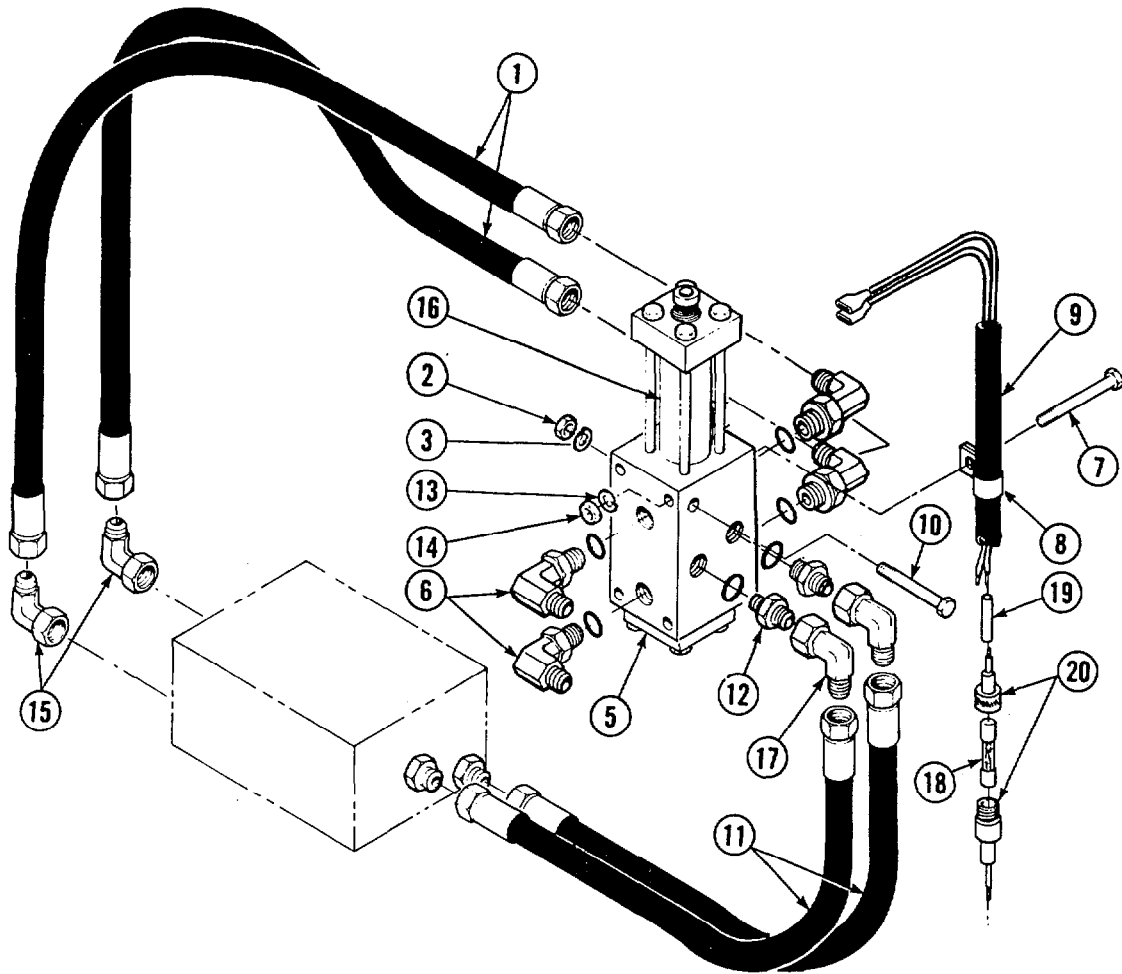
40D							
REF. NO.	QTY.	PART NO.	DESCRIPTION	REF. NO.	QTY.	PART NO.	DESCRIPTION
		669816	Solenoid Adaption Group	13	1	●	Nut, 5/16 NC
1	1	611288	Fitting	14	1	671255	Tube
2	1	671252	Tube	15	1	671254	Tube
3	4	601676	Fitting	16	1	671253	Tube
■ 4	1	★	Solenoid Valve	17	1	2618	Nut
5	2	651303	Fitting	18	1	2671	Fitting
6	1	●	Capscrew, 5/16 NC X 3	19	1	★	Coil
7	1	●	Pigtail	20	1	672603	Bracket
8	1	●	Clamp	21	2	6201	Washer
9	2	6257	Lockwasher	22	2	5900	Nut
10	2	3563	Capscrew, 1/4 NC X 3	23	4	670004	Capscrew
11	1	667573	Fuse Assembly, 7.5 Amp	24	4	6232	Washer
12	1	●	Lockwasher				

● Customer supplied.

■ Includes item 19 of the same voltage.

★ See page 9.

# Solenoid Adaption Group



REF. NO.	QTY.	PART NO.	DESCRIPTION
		671475	Solenoid Adaption Group
1	2	2114	Hose, 2500 PSI □
2	2	5900	Nut, 1/4 NC
3	2	6257	Lockwasher, 1/4 ID
4	2	601676	Fitting, 6-6
■ 5	1	★	Solenoid Valve
6	2	651303	Fitting, 8-6
7	1	●	Capscrew, 5/16 NC X 3.0
8	1	●	Clamp
9	1	●	Pigtail
10	2	3565	Capscrew, 1/4 NC X 3.50
11	2	2204	Hose, 2500 PSI □
12	2	662187	Fitting, 8-6
13	1	●	Lockwasher
14	1	●	Nut, 5/16 NC
15	2	2680	Fitting, 6-6
16	1	★	Coil
17	2	605761	Fitting, 8-8
18	1	677490	Fuse, 7.5 Amps
19	1	669970	Butt Connector
20	1	677489	Fuse Holder

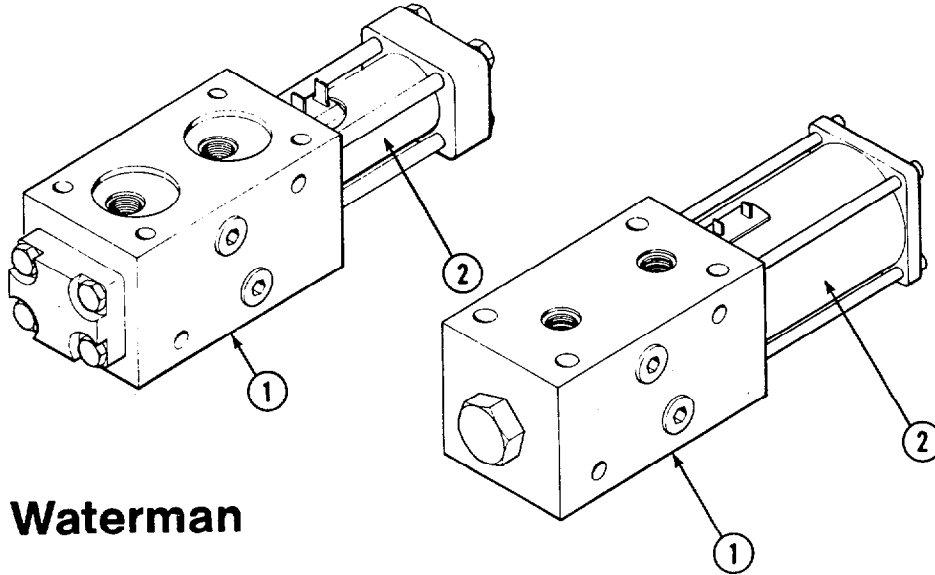
● Customer supplied.

■ Includes item 16 of same voltage.

★ See page 9 for parts breakdown.

□ Rated work pressure.

# Solenoid Valves



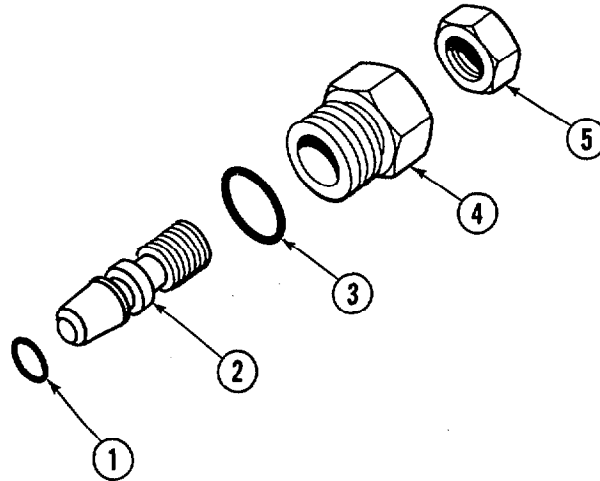
**Waterman**

**Racine**

**Note:** Racine and Waterman Solenoid Valve assemblies are interchangeable as a unit. Coils **must** match valve.

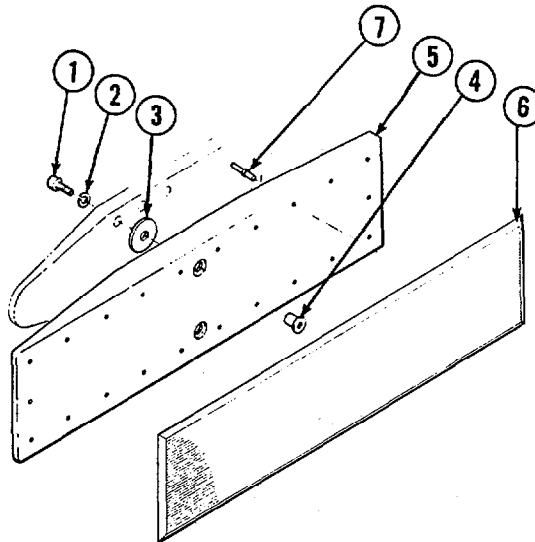
REF	QTY	Waterman PART NO.	Racine PART NO.	DESCRIPTION
	1	614089	614089	Solenoid Valve - 12V
1	1	614091	614091	Solenoid Valve - 24V
1	1	614092	614092	Solenoid Valve - 36V
1	1	614093	614093	Solenoid Valve - 48V
1	1	614094	—	Solenoid Valve - 72V
2	1	611458	665044	Coil - 12V
2	1	611460	665045	Coil - 24V
2	1	611461	665046	Coil - 36V
2	1	614097	665047	Coil - 48V
2	1	614098	—	Coil - 72V

## Restrictor Cartridge



40D			
REF. NO.	QTY.	PART NO.	DESCRIPTION
	1	667609	Restrictor Cartridge
1	1	2701	O-ring
2	1	667611	Plunger
3	1	2841	O-ring
4	1	667610	Plug - Special
5	1	5716	Jam Nut

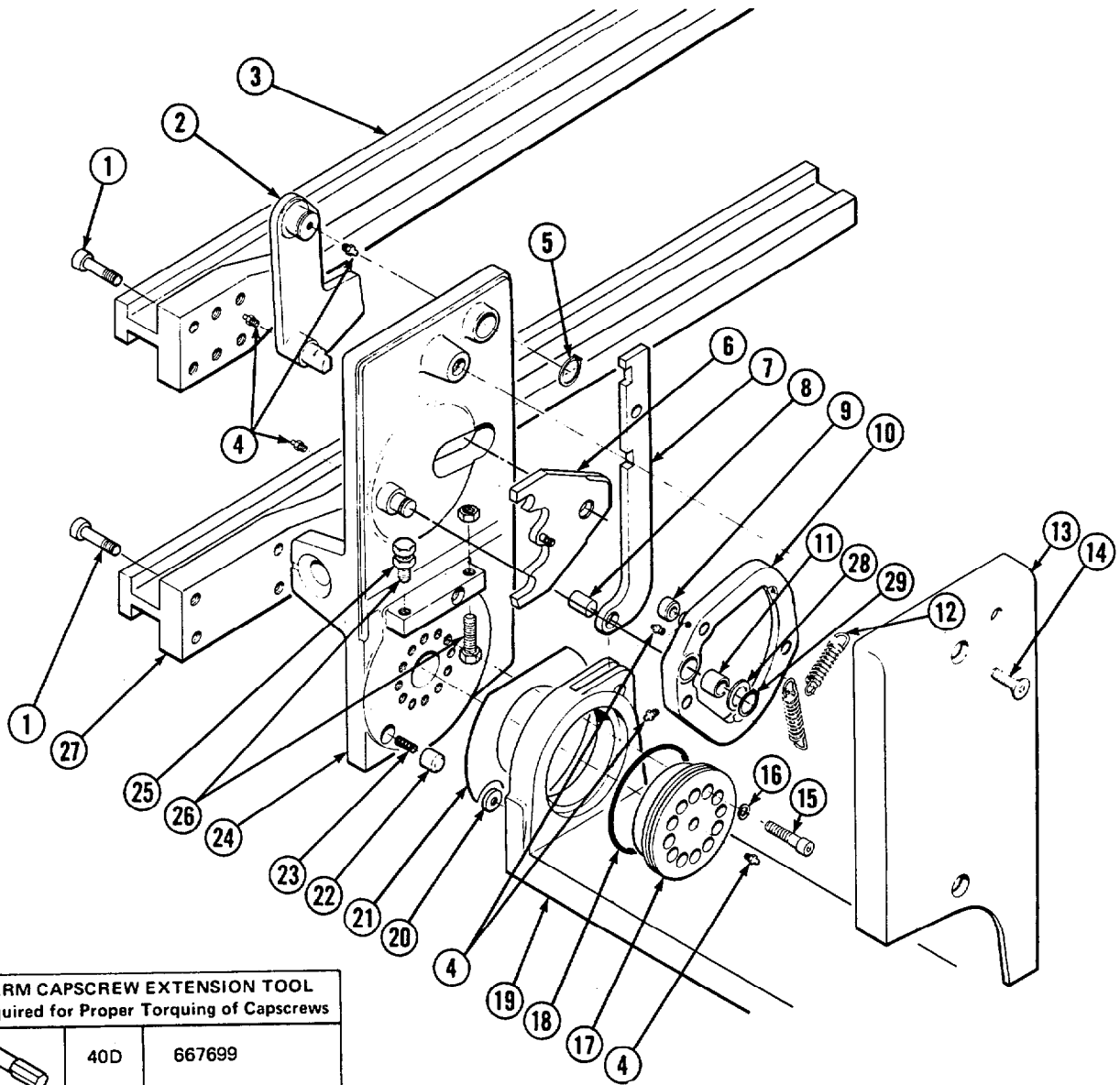
## Contact Pad Group




40D					
REF. NO.	QTY.	10" x 36"	10" x 42"	10" x 48"	DESCRIPTION
		PART NO.	PART NO.	PART NO.	
		669701	669705	669709	Contact Pad Group
1	4	4305	4305	4305	Capscrew 1/2 NF X 1 1/4
2	4	6374	6374	6374	Lockwasher
3	4	15797	15797	15797	Pad
4	4	15809	15809	15809	Pin
5	1	669702	669706	669710	Contact Plate - R.H.
	1	669703	669707	669711	Contact Plate - L.H.
6	2	669704	669708	669712	Contact Pad
7	28	667843	---	---	● Rivet
	36	---	667843	---	● Rivet
	44	---	---	667843	● Rivet

● Steel self-plugging rivets with steel mandrels, 3/16 dia. x 3/8-1/2 grip

# Arm Group



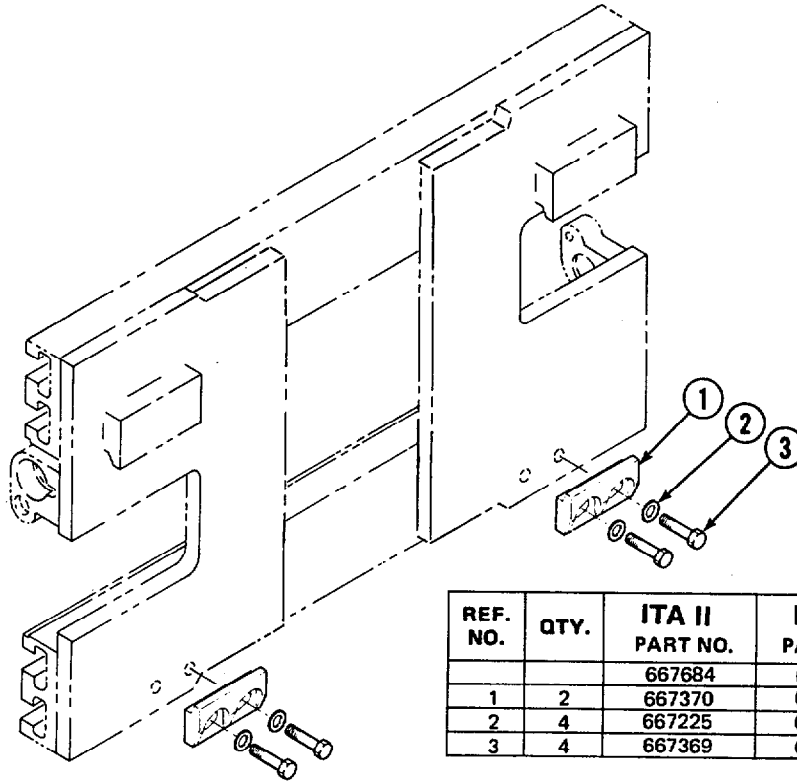
**ARM CAPSCREW EXTENSION TOOL**  
Required for Proper Torquing of Capscrews

	40D	667699
---	-----	--------

40D							
REF. NO.	QTY.	PART NO.	DESCRIPTION	REF. NO.	QTY.	PART NO.	DESCRIPTION
		672033	Arm Group - R.H.	14	2	4780	Capscrew, 5/8 UNC x 1 1/4 GR8
		672032	Arm Group - L.H.	15	12	4309	Capscrew, 1/2 UNF x 2 1/4
1	10	607105	Capscrew, 3/4 UNC x 2 GR8	16	12	6374	Lockwasher
2	1	672041	Actuator - R.H.●	17	1	669205	Bearing
	1	672040	Actuator - L.H.●	18	1	2815	O-Ring
3	1	669197	Arm Bar - Upper	19	1	622674	Arm - R.H.●
4	6	7401	Grease Fitting		1	622675	Arm - L.H.●
5	1	7192	Snap Ring	20	1	621248	Bushing
6	1	600305	Selector	21	1	602025	Wear Plate
7	1	600315	Crank	22	1	600318	Detent Pin
8	1	600316	Pin	23	1	600319	Detent Spring
9	2	600313	Bushing	24	1	672037	Arm Carrier - R.H.
10	1	672043	Bell Crank Assy.		1	672034	Arm Carrier - L.H.
11	1	600312	Bushing	25	2	5721	Nut
12	2	672047	Spring	26	2	3385	Capscrew, 3/4 UNF x 1 3/4
13	1	672051	Cover - R.H.●	27	1	669200	Arm Bar - Lower
	1	672050	Cover - L.H.●	28	1	672045	Washer
				29	1	3128	Snap Ring

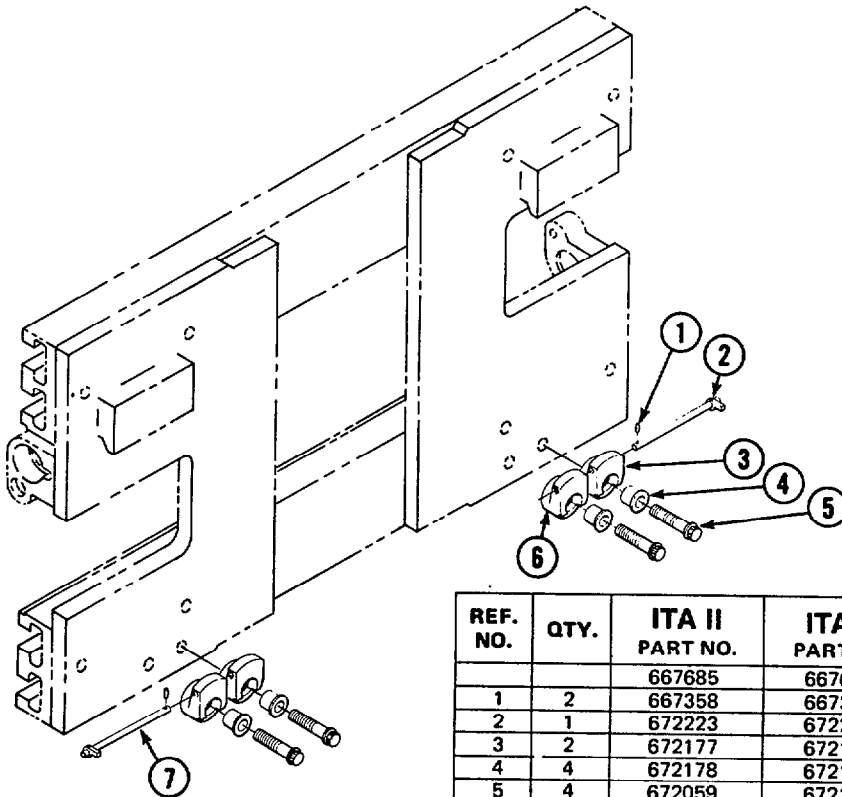
● As viewed from the drivers seat.

## Mounting Group



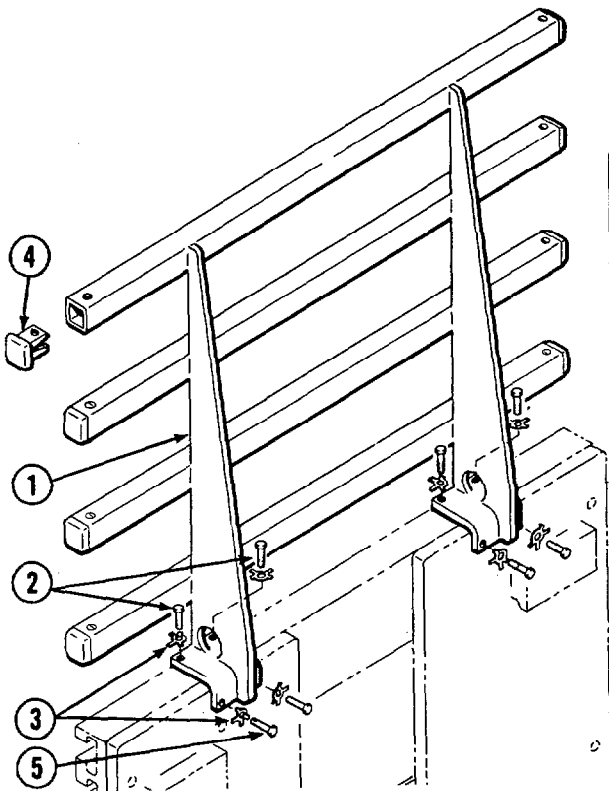
REF. NO.	QTY.	ITA II PART NO.	ITA III PART NO.	DESCRIPTION
		667684	667686	Lower Hook Group
1	2	667370	667371	Lower Hook
2	4	667225	667225	Washer
3	4	667369	667369	Capcrew 5/8 NC x 1¼ GR5

## Quick-Change Mounting Group

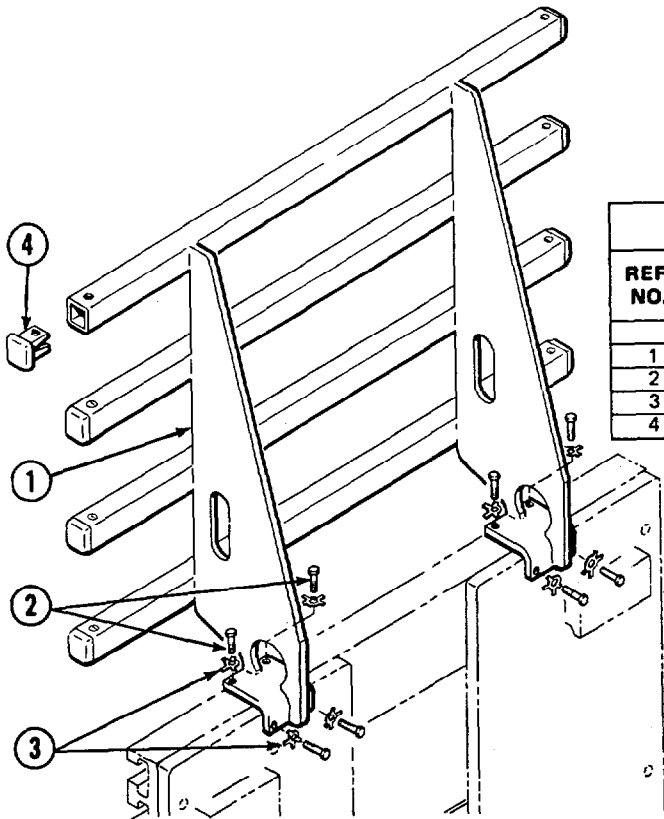


REF. NO.	QTY.	ITA II PART NO.	ITA III PART NO.	DESCRIPTION
		667685	667687	Lower Hook Group
1	2	667358	667358	Roll Pin
2	1	672223	672223	Lock Pin - R.H.
3	2	672177	672187	Lower Hook, Outer
4	4	672178	672190	Bushing
5	4	672059	672192	Capcrew
6	2	672176	672188	Lower Hook, Inner
7	1	672181	672181	Lock Pin - L.H.

# Backrest Group



40D			
REF. NO.	QTY.	PART NO.	DESCRIPTION
		669767	Backrest Group
1	1	670027	Backrest
2	4	661742	Capscrew, 1/2 NC x 1 1/4
3	8	674364	Lock Tab
4	8	674356	Tube End
5	4	601854	Capscrew



40D			
REF. NO.	QTY.	PART NO.	DESCRIPTION
		672532	Backrest Group
1	1	672533	Backrest
2	8	670004	Capscrew, 1/2 NC x 1 1/4
3	8	674364	Lock Tab
4	8	674356	Tube End

# Recommended Spare Parts List

<b>40D Turnafork</b>				
PART NUMBER	DESCRIPTION	ATTACHMENTS SERVICED		
		1-5	6-19	20-50
<b>FRAME and HYDRAULICS</b>				
667677	Tube	0	1	2
667712	Tube	0	1	2
667713	Tube	0	1	2
667680	Tube	0	1	2
667659	Frame—Upper	0	1	2
674167	Frame—Lower	0	1	2
667661	Bearing	4	8	12
667663	Bearing	4	8	12
667662	Bearing	4	8	12
<b>CYLINDER</b>				
*	Cylinder Assembly	0	0	1
*	Shell	0	1	1
*	Piston	0	0	2
667667	Retainer	0	0	2
*	Rod	0	1	2
668925	Nut Kit	0	2	4
*	Service Kit	2	4	8
<b>CHECK VALVE</b>				
*	Check Valve	0	0	1
667516	Service Kit—PO	2	4	6
661347	Service Kit—VPO	1	2	4
659058	Check Valve—PO	1	1	2
678270	Check Valve—VPO	1	1	2
668868	Service Kit—Valve	1	2	3
<b>MOUNTING</b>				
667370	Lower Hook—ITA II	0	2	4
667371	Lower Hook—ITA III	0	2	4
667369	Capscrew	0	4	8
672177	Lower Hook, Outer—ITA II Q.D.	4	8	12
672187	Lower Hook, Outer—ITA III Q.D.	4	8	12
672176	Lower Hook, Inner—ITA II Q.D.	4	8	12
672188	Lower Hook, Inner—ITA III Q.D.	4	8	12
672181	Pin, L.H.	2	4	6
672223	Pin, R.H.	2	4	6
667358	Roll Pin	4	8	12
672059	Capscrew—ITA II	4	8	12
672192	Capscrew—ITA III	4	8	12
<b>ARMS</b>				
607105	Capscrews 3/4 UNC X 2 GR8	20	20	20
<b>TOOL</b>				
667699	Arm Capscrew Extension	1	2	2
<b>PAINT, CASCADE YELLOW</b>				
668209	12 oz. Aerosol Can	1	1	1
<b>PUBLICATIONS</b>				
669224	Service Manual	1	1	1
674524	Parts Manual	1	1	1
672994	Operator's Guide	1	1	1

\*See specific parts page for number.





**Do you have questions you need answered right now?** Call your nearest Cascade Parts Department.

**Cascade Corporation**  
2501 Sheridan Avenue  
P.O. Box 360  
Springfield, Ohio 45505  
Tel.: (513) 322-1199  
Telex: 279563  
FAX: 8-1-513-325-9270

**Cascade Scandinavia  
Hydraulik A.B.**  
Muskötgatan 17-(E.8-9)  
252 55 Helsingborg  
Sweden  
Tel.: 042-151135  
Telex: 72565 caschbg s

**Cascade Hydraulics Ltd.**  
7615 Kimbel Street  
Mississauga, Ontario  
Canada L5S-1A8  
Tel: 416/677-9695  
Direct Parts Line:  
416/677-9686  
416/677-9684  
Te/Ac: 06-968715

**Cascade Japan Ltd.**  
4-1, 1-Chome,  
Shin Senri Higashimachi  
Toyonaka, Osaka 565  
Japan  
Tel.: 06-835-2900  
Tel/Ac: 781-5287115 Cascade J  
Cable: Cascadecfe, Osaka  
FAX: 9-011-816-835-2905

**Cascade N.V.  
European Headquarters**  
P.O. Box 50086  
1305 AB Almere-Haven  
Achterwerf 240  
1357 CB Almere-Haven  
The Netherlands  
Tel.: 03240-92911  
Telex: 40838 case nl  
FAX: 9-011-31-3240-92286

**Cascade France S.A.R.L.**  
11, rue Jean Charcot  
Zone Industrielle Sud  
B.P. 22  
91421 Morangis Cedex  
France  
Tel.: (1)69091139  
Telex: cascade 690016f

**Cascade Materials Handling  
(Aust.) Pty. Ltd.  
(Incorporated in N.S.W.)**  
121 Long Street  
Smithfield, N.S.W. 2164  
Australia  
Tel.: 02-604-6222  
Tel/Ac: (790)24302  
Cable: Cascaus  
FAX: 9-011-61-2-609-2742

**Cascade N.V.  
Benelux Sales and Service**  
P.O. Box 170  
1110 AD Diemen  
Weesperstratt 110  
1112 AP Diemen  
The Netherlands  
Tel.: 020-906411  
Telex: 14495 casc nl

**Cascade Hispania S.A.**  
Avenida De La Fabregada, 7  
Hospitalet De Llobregat  
Barcelona  
Spain  
Tel.: 93-3355158  
Telex: 54018 casc e

**Cascade Materials Handling  
(Aust.) Pty. Ltd.**  
44E Winterton Road  
Clayton, Victoria 3168  
Australia  
Tel.: 03-543-4344  
Cable: Casmel

**Cascade GmbH**  
Klosterhofweg 52  
4050 Mönchengladbach 3  
B.R. Deutschland  
Tel.: 02166-602091  
Telex: 852812 casc d

**Cascade (UK) Ltd.**  
15, Orgreave Crescent  
Dore House Industrial Estate  
Handsworth  
Sheffield S13 9NQ  
England  
Tel.: 0742-697524/5/6/7  
Telex: 547254 cascsh g

**Cascade (Africa) Pty. Ltd.**  
P.O. Box 625  
15 Power Street  
Isando 1600  
South Africa  
Tel.: 011-974-5611/2/3/4/5  
Telex: 4-29718 S.A.

