



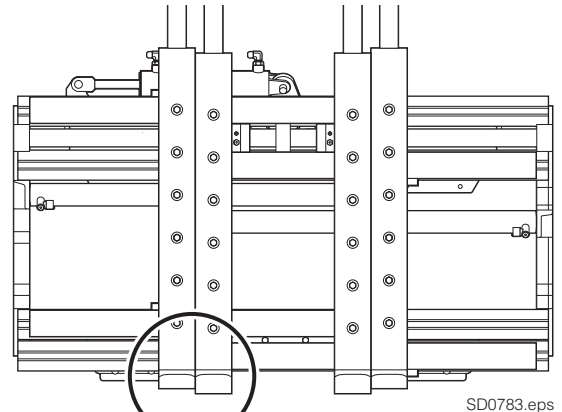
# Installation Instructions

## G-Series Multiple Load Handler Fork Tip Alignment with Shim Kit 6148370

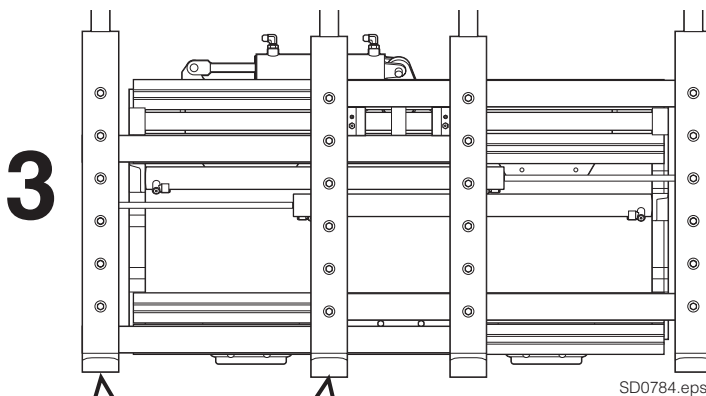
This sheet provides instruction on installing shims for fork tip alignment on G-Series Multiple Load Handlers. Refer to the following instructions for fork tip alignment. Shim Kit 6148370 includes:

PART NO.	SHIM SIZE	QTY
6071808	.01 in. (.25 mm)	2
6071811	.03 in. (.75 mm)	2
6071812	.04 in. (1 mm)	6

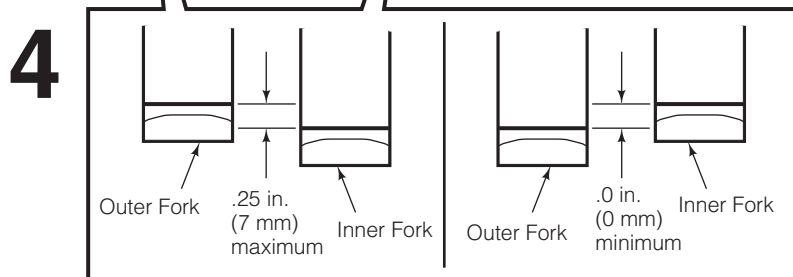
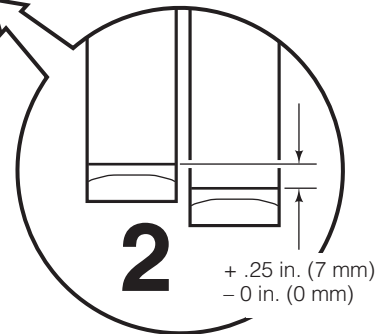
- 1 Fully close forks.
- 2 Measure the vertical offset of the forks 5 in. (125 mm) from the tip of the forks. Outer forks can have a maximum vertical offset of .25 in. (7 mm) above the inner fork. The inner fork must be **lower** than the outer fork.
- 3 Fully open forks.
- 4 Measure the vertical offset of the forks. Outer fork can have a maximum vertical offset of .25 in. (7 mm) **above** or 0 in. (0 mm) **below** the inner fork.



SD0783.eps



SD0784.eps



**cascade**<sup>®</sup>  
**corporation**

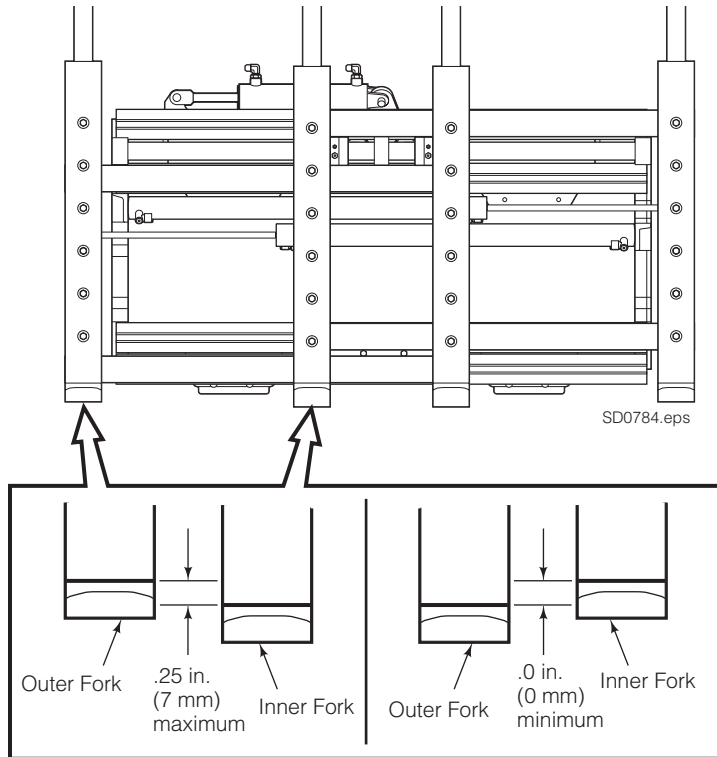
**For Technical Support . . .**

Call: 1-800-227-2233 Fax: 1-888-329-8207  
 Internet: [www.cascorp.com](http://www.cascorp.com)  
 Write: Cascade Corporation, PO Box 20187, Portland, OR 97294

**To Order Parts . . .**

Call: 1-888-227-2233 Fax: 1-888-329-0234  
 Internet: [www.cascorp.com](http://www.cascorp.com)  
 Write: Cascade Corporation, 2501 Sheridan Ave., Springfield, OH 45505

- 5 To align forks, open outer forks so that the lower inner fork carrier can be accessed.
- 6 Lift fork carrier enough to access brake pad. Loosen brake pad and slide shim between brake pad and fork carrier.  
**IMPORTANT:** Do not exceed .12 in. (3 mm) of shims in stack.
- 7 Check vertical offset of forks as shown below.
- 8 When inner fork height is set, bend shim tabs to keep in place.



7

