



# Technical Bulletin

## Upgraded lower arm bars and bearing end caps for Model 55E Single-Double Pallet Handler

Upgraded lower arm bars will be included in production Single-Double Pallet Handlers after February 1, 2001. The new lower arm bars have been reinforced where the forks bolt to the arm bar. A new lower bearing retainer end cap made from steel is available if needed for specific applications.

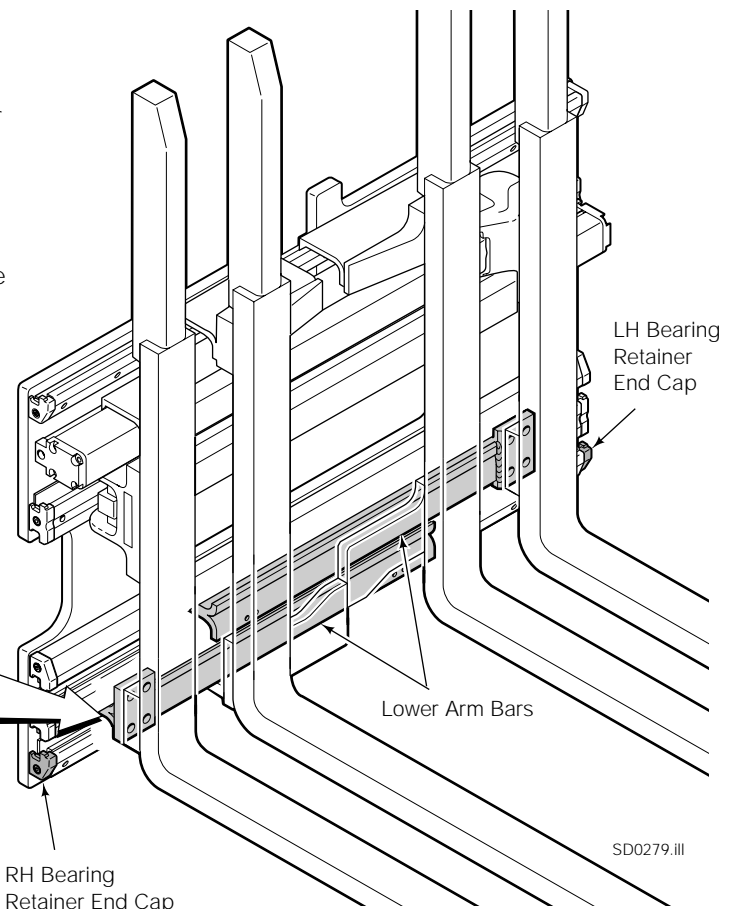
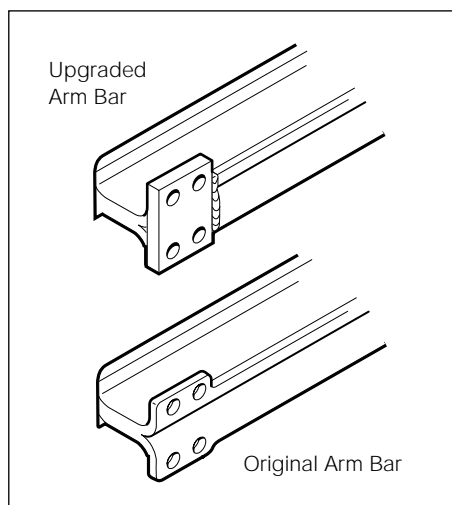
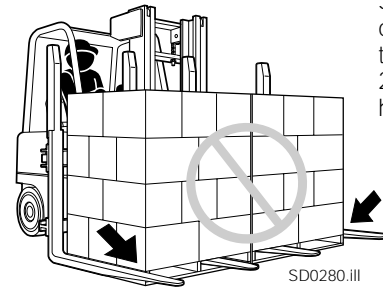
### Upgraded Lower Arm Bars

Cracking has been found where the outer fork is bolted to the corresponding lower arm bar. Cracking may be application-related, due to improper load handling where the fork accidentally clamps onto the pallet or load. Assure that proper load-handling procedures are used for pallet loads (see CAUTION statement opposite). Part numbers remain the same for the upgraded lower arm bars.

### Bearing Retainer End Caps

End Caps have been found cracked or knocked off the lower arm bar rails. Cracking may be application-related, due to improper load handling where the edge of the Attachment is accidentally bumped into a pallet load or wall. Assure that proper load-handling procedures are used for pallet loads. Special steel end caps (Part Numbers: RH bottom 6102278, LH bottom 6102279) are available if required. Order from the Parts Depot at the address below).

**CAUTION:** Do not use the Single-Double Pallet Handler to clamp on loads or pallets. Refer to *Cascade Operator's Guide* 213580 for recommended handling procedures.



**NOTE:** This information should not be interpreted as the basis for warranty claims unless so designated.

# cascade®

### For Technical Support . . .

Call: 1-800-CASCADE (227-2233)

OR

Write: Cascade Corporation, PO Box 20187, Portland, OR 97294-0187

### To Order Parts . . .

Call: 1-888-CASCADE (227-2233)

OR

Write: Cascade Corporation, 2501 Sheridan Ave., Springfield, OH 45505