



Parts Manual

Model Paper Roll Clamp

Serial Number 77F-RDP-129

cascade[®]
corporation

For Technical Assistance call: 800-227-2233, Fax: 888-329-8207

To Order Parts call: 888-227-2233, Fax: 888-329-0234

OR

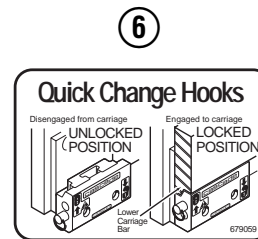
Write: Cascade Corporation, P.O. Box 20187, Portland, OR 97220

Internet: www.cascorp.com

Safety Decals



RC0636.ill



Roll Clamp Safety Decals			
REF	QTY	PART NO.	DESCRIPTION
1	6	665595	No Hand Hold Decal
2	3	660269	Short Arm Rotation Position Decal
3	4	656038	Caution Decal
4	4	679150	No Step Decal
5	4	665677	Trapped Pressure Decal
6	1	679059	Quick-Change Hook Decal

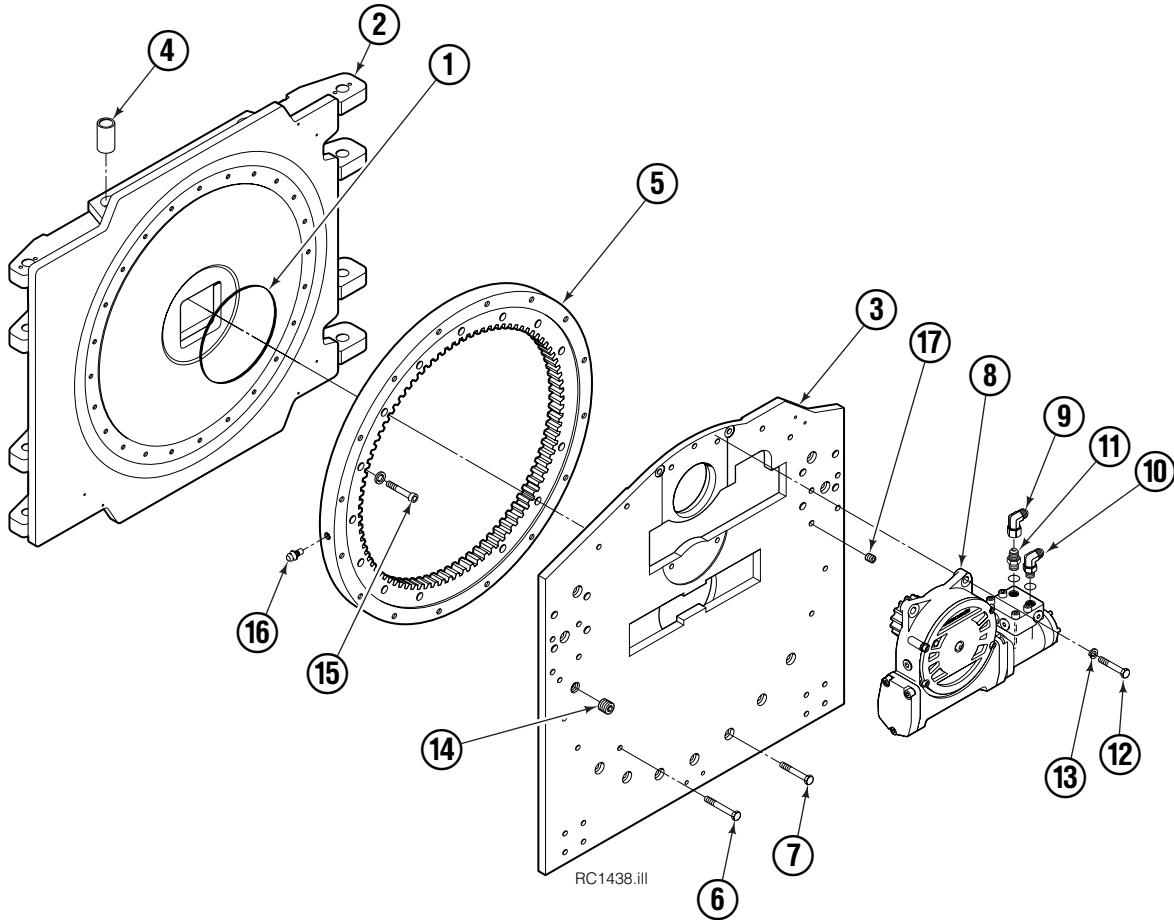
Publications



GA0006.ill

Roll Clamp Publications	
674512	Service Manual
674509	Operator's Guide – Fixed Frame
676268	Operator's Guide – Swing Frame
674510	Installation Instructions – Fixed Frame
674511	Installation Instructions – Swing Frame
677555	Driver Training Video – VHS
678363	Troubleshooting Video – VHS
680664	Servicing Cascade Cylinders – VHS
679929	Tool Catalog
673964	Literature Index Order Form

Frame Group

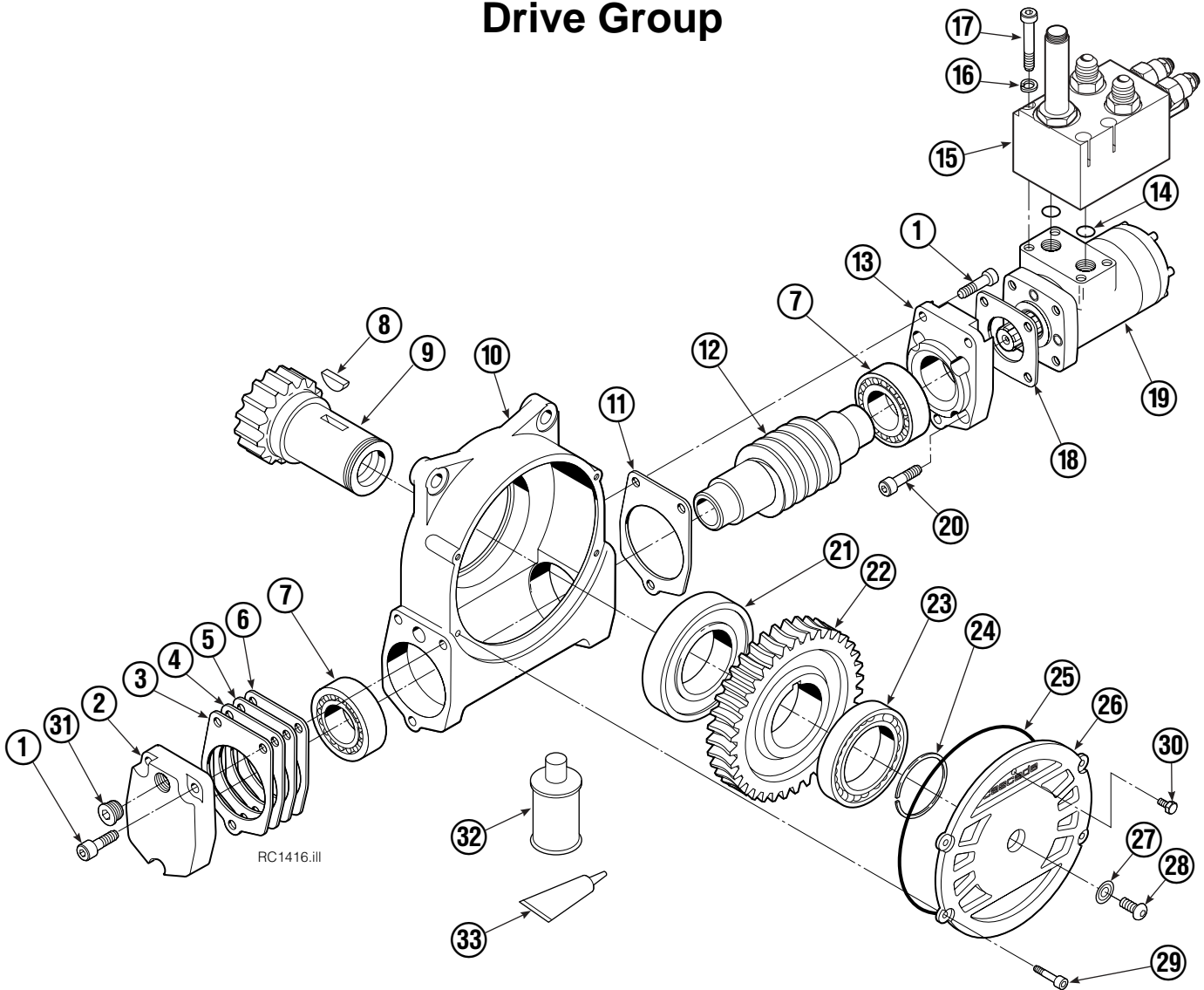


77F			
REF	QTY	PART NO.	DESCRIPTION
		6007989	Frame Group
1	1	670931	Seal
2	1	347804	Faceplate
3	1	678381	Baseplate
4	8	675007	Bushing
5	1	672830	Bearing Assembly
6	13	643539	Capscrew
7	11	643538	Capscrew
8	1	6001025	Drive Group ●
9	1	605761	Fitting, 8-8
10	1	601250	Fitting, 8-8
11	1	601377	Fitting, 8-8
12	4	661742	Capscrew
13	4	6290	Lockwasher
14	1	6605	Plug
15	24	4507	Capscrew
16	1	7401	Grease Fitting
17	8	631385	Plug
	1	672842	Bearing Service Kit (items 5 and 15)

● See Drive Group page for parts breakdown.

Reference: Common Parts Group 6007861, Fastener Kit 699007.

Drive Group



77F							
REF	QTY	PART NO.	DESCRIPTION	REF	QTY	PART NO.	DESCRIPTION
		6001025	Drive Group with 2.8 c.i. Motor	19	1	206392	Drive Motor – 2.8 c.i. ▲
1	6	769570	Capscrew, M12 x 25	20	4	4468	Capscrew, 3/8 NC x .75 GR8
2	1	676855	Cover	21	1	670580	Bearing
3	●	674513	Shim – .005" (blue)	22	1	675609	Worm Gear
4	●	670574	Shim – .010" (brown)	23	1	670581	Bearing
5	●	671757	Shim – .015" (pink)	24	1	7214	Snap Ring
6	●	671758	Shim – .020" (yellow)	25	1	643423	O-Ring
7	2	670579	Bearing	26	1	775552	Cover
8	1	670582	Key	27	1	783609	Seal
9	1	670556	Pinion	28	1	783608	Capscrew, M12 x 16
10	1	775551	Housing	29	4	200882	Capscrew, M8 x 20
11	1	686465	Gasket	30	1	644010	Relief Fitting
12	1	675608	Worm	31	1	604510	Fitting, 6
13	1	775553	Adapter	32	1	656300	Gear Box Lube – 48 oz.
14	2	2705	O-Ring	33	1	668184	Sealant
15	1	6001035	Valve Assembly without Coils ◆			670578	Shim Service Kit (items 3-6,25,33)
16	4	6444	Lockwasher			675637	Bearing Service Kit (items 21 & 33)
17	4	607060	Capscrew, 5/16 NC x 2.00 GR8			675638	Bearing Service Kit (items 3-7,25)
18	1	670575	Gasket			685227	Motor Kit-4.5 (items 4,14,18)

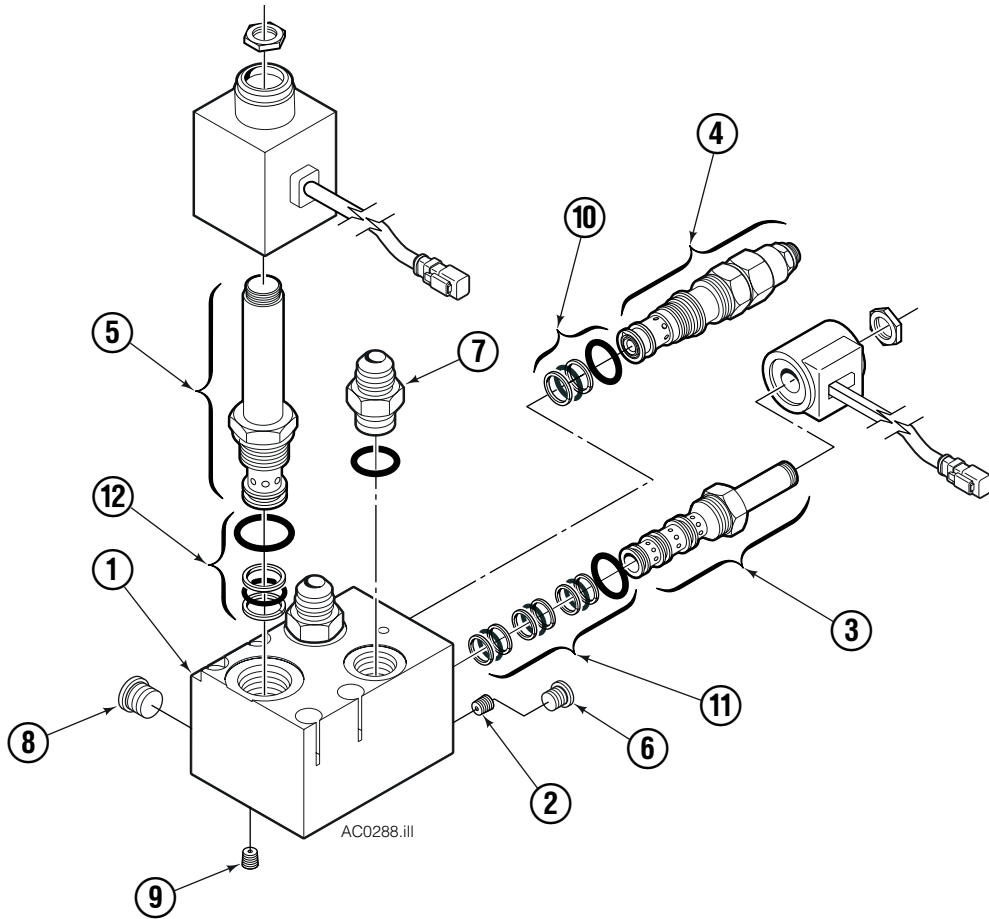
● Quantity as required.

◆ See Valve page for parts breakdown.

▲ See Drive Motor page for parts breakdown.

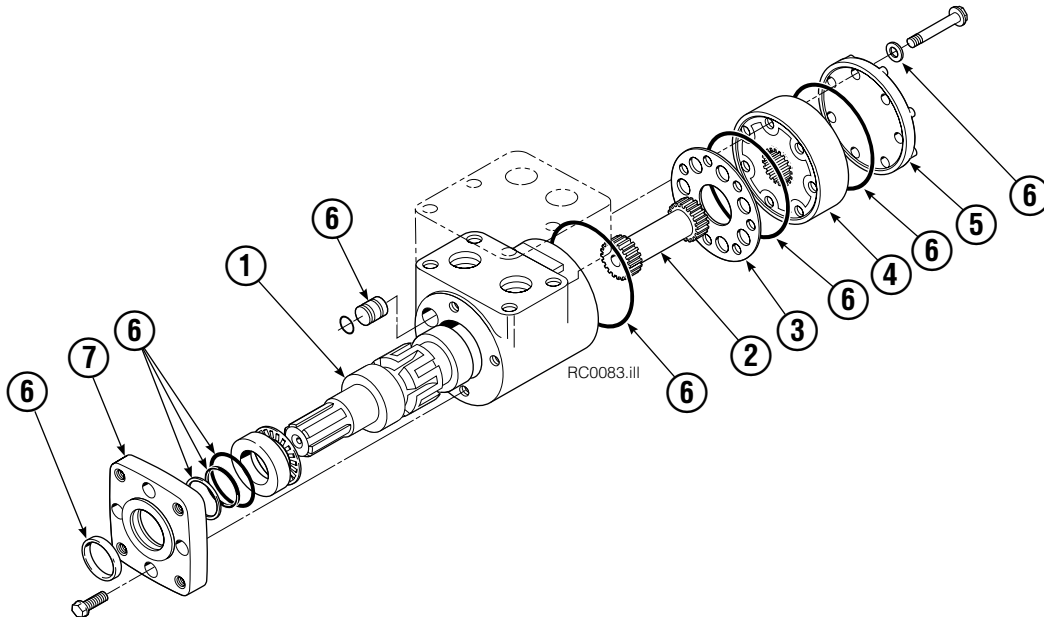
Reference: Common Parts 795490, SK-6864.

Solenoid Valve



REF	QTY	PART NO.	DESCRIPTION
		6001035	Valve Assembly without Coils
1	1	220565	Valve Body
2	4	220641	Orifice
3	1	220627	Solenoid Valve
4	2	6003173	Valve
5	1	221722	Solenoid Valve
6	2	663694	Fitting, 3
7	3	601377	Fitting, 8
8	3	604510	Fitting, 6
9	3	228698	Orifice
10	2	667516	Service Kit
11	1	221049	Service Kit
12	1	6031791	Service Kit

Drive Motor

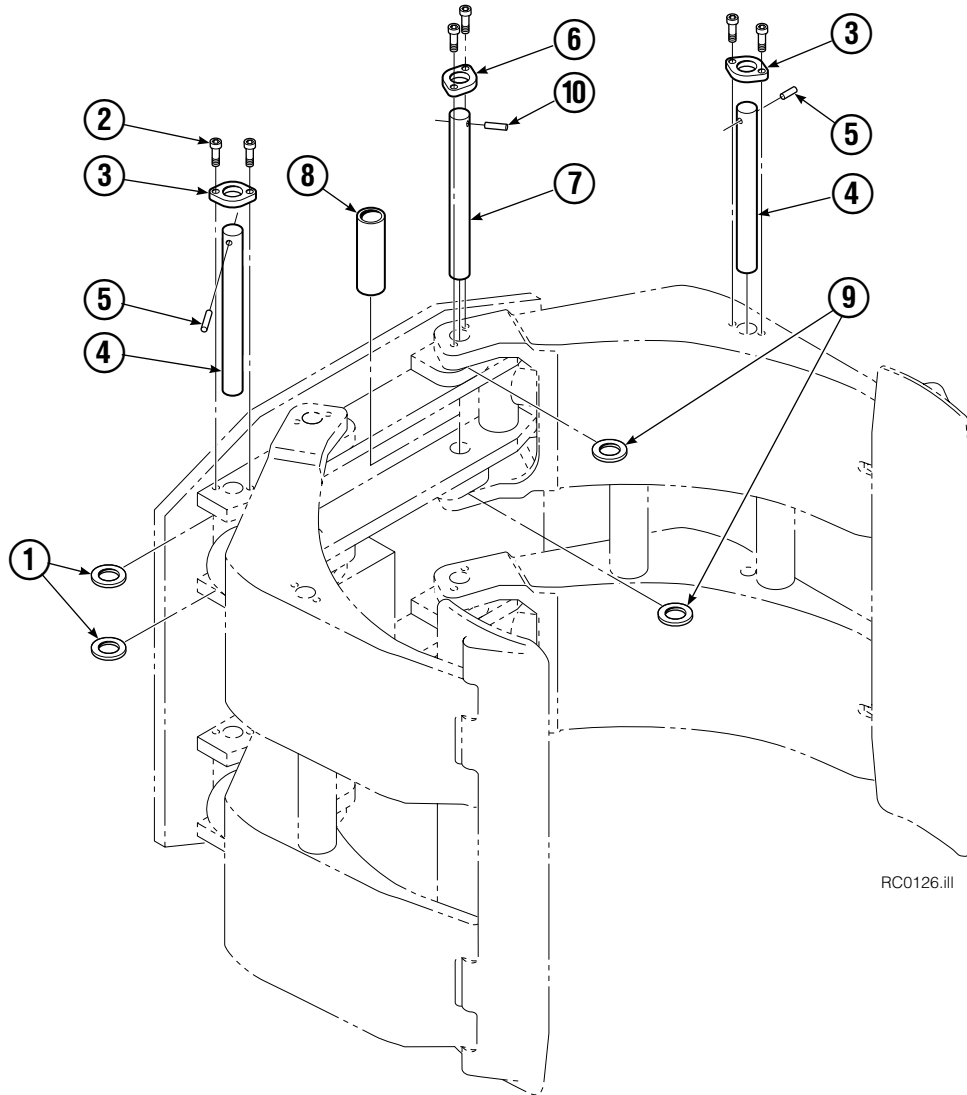


REF	QTY	PART NO.	DESCRIPTION
		206392	Drive Motor
1	1	675478	Shaft
2	1	675477	Drive
3	1	675479	Spacer Plate
4	1	675480	■ Gerotor Set (101-1768-007)
4	1	685075	■ Gerotor Set (101-1768-009)
5	1	675482	End Cap
6	1	206405	● Service Kit
7	1	685089	■ Flange (101-1768-007)
7	1	685090	■ Flange (101-1768-009)

Cascade provides service replacement parts for the listed parts only. Due to cost, if others parts need replacement, the complete drive motor should be replaced.

- See Nameplate under valve for correct part number of Gerotor Set and Flange.
- Compatible with water glycol based hydraulic fluids.

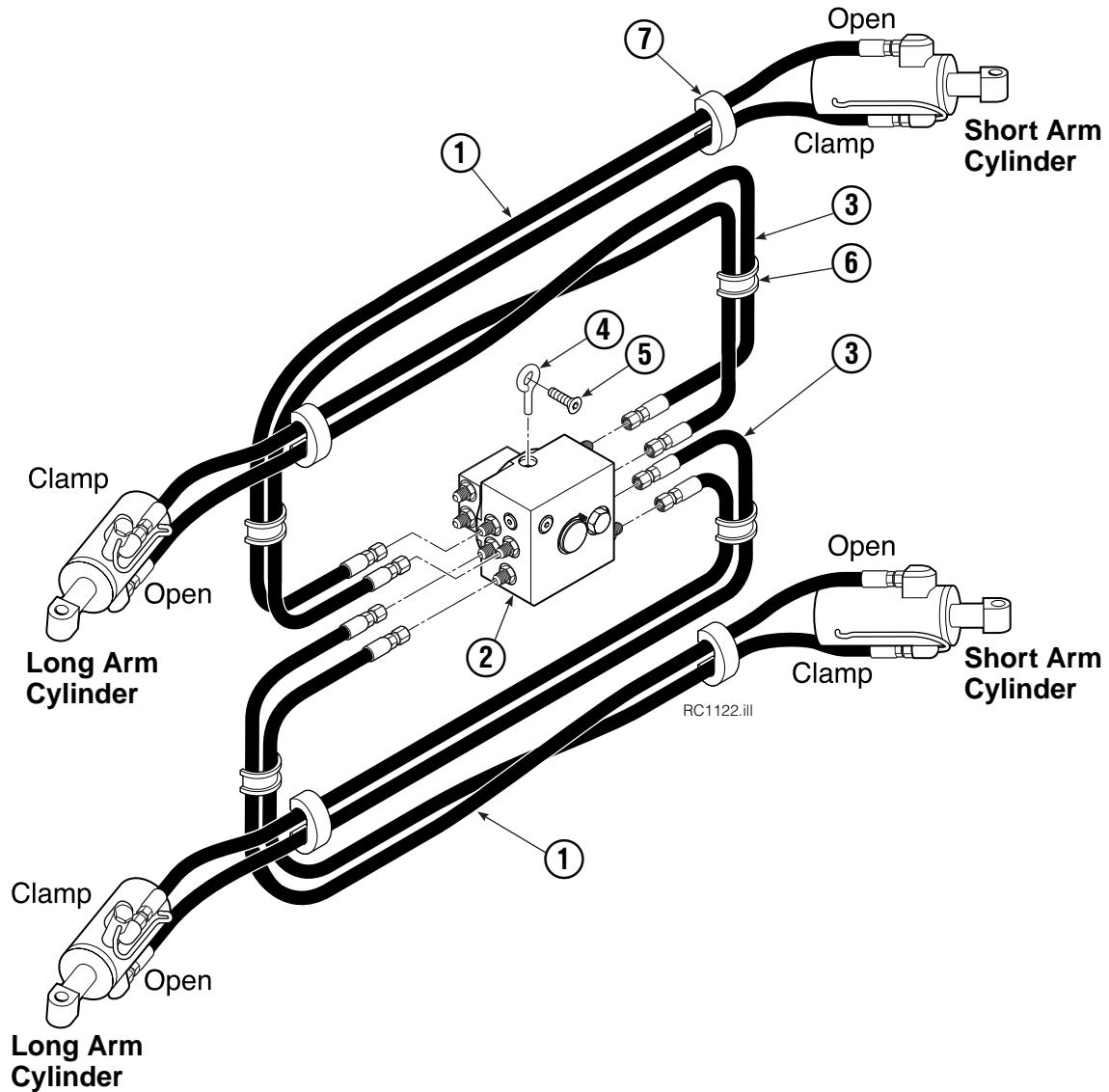
Common Components Group



RC0126.ill

77F			
REF	QTY	PART NO.	DESCRIPTION
		680637	Components Group
1	8	660200	Shim
2	24	4466	Capscrew, 3/8 NC x .50 GR8
3	8	674828	Retainer
4	8	680651	Pin
5	8	673385	Drive Pin
6	4	674830	Retainer
7	4	675022	Pin
8	4	681673	Spacer
9	16	673379	Shim
10	4	675086	Drive Pin

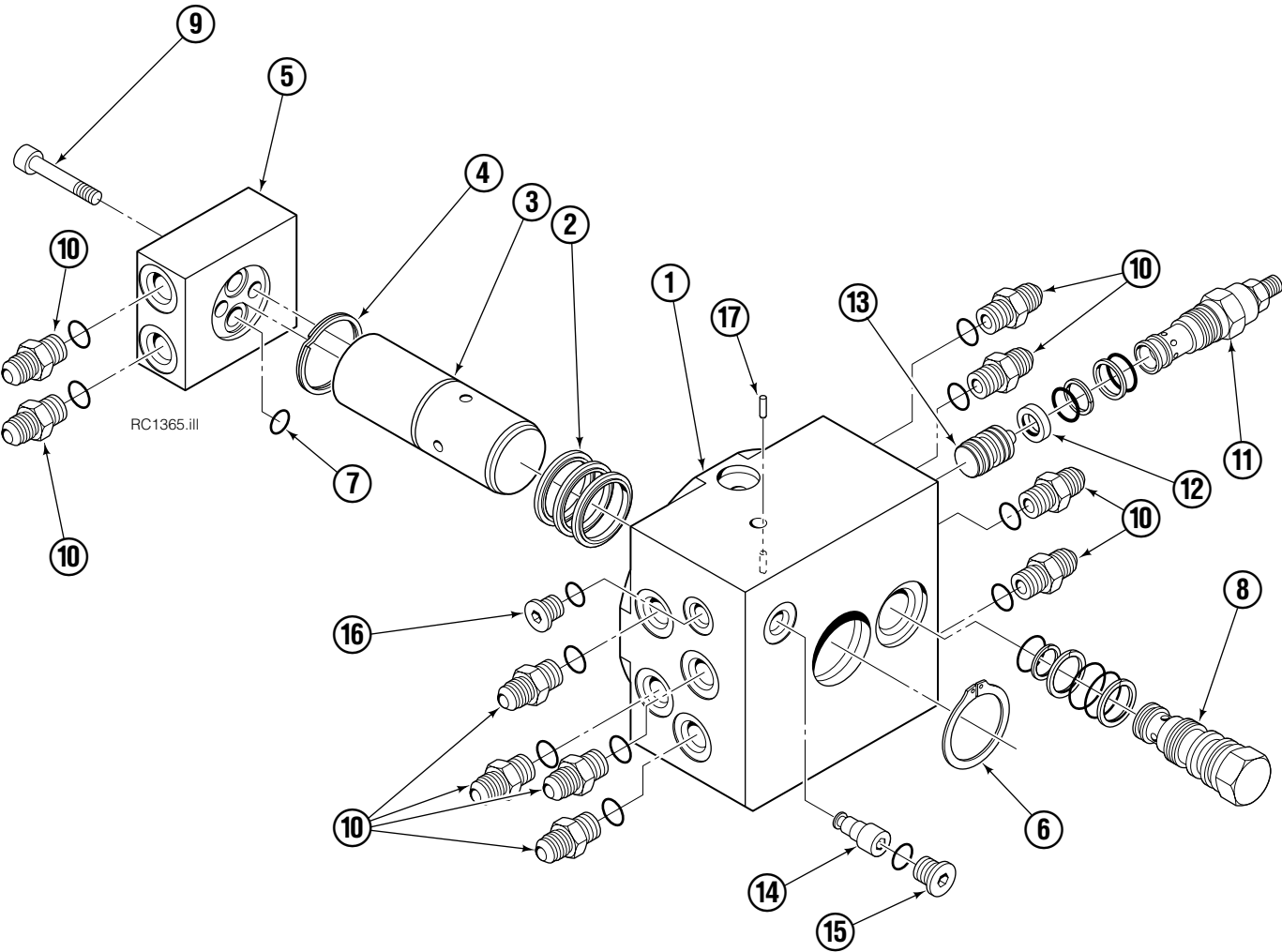
Hosing Group



77F			
REF	QTY	PART NO.	DESCRIPTION
		6026316	Hosing Group
1	4	680238	Hose, 58.75 in.
2	1	6025982	Revolving Connection ▲
3	4	681231	Hose, 53.00 in.
4	2	227962	Eye Pin
5	2	4751	Capscrew, M10 x 25
6	4	680114	Insert
7	4	673417	Segment

▲ See Revolving Connection page for parts breakdown.

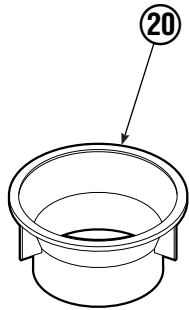
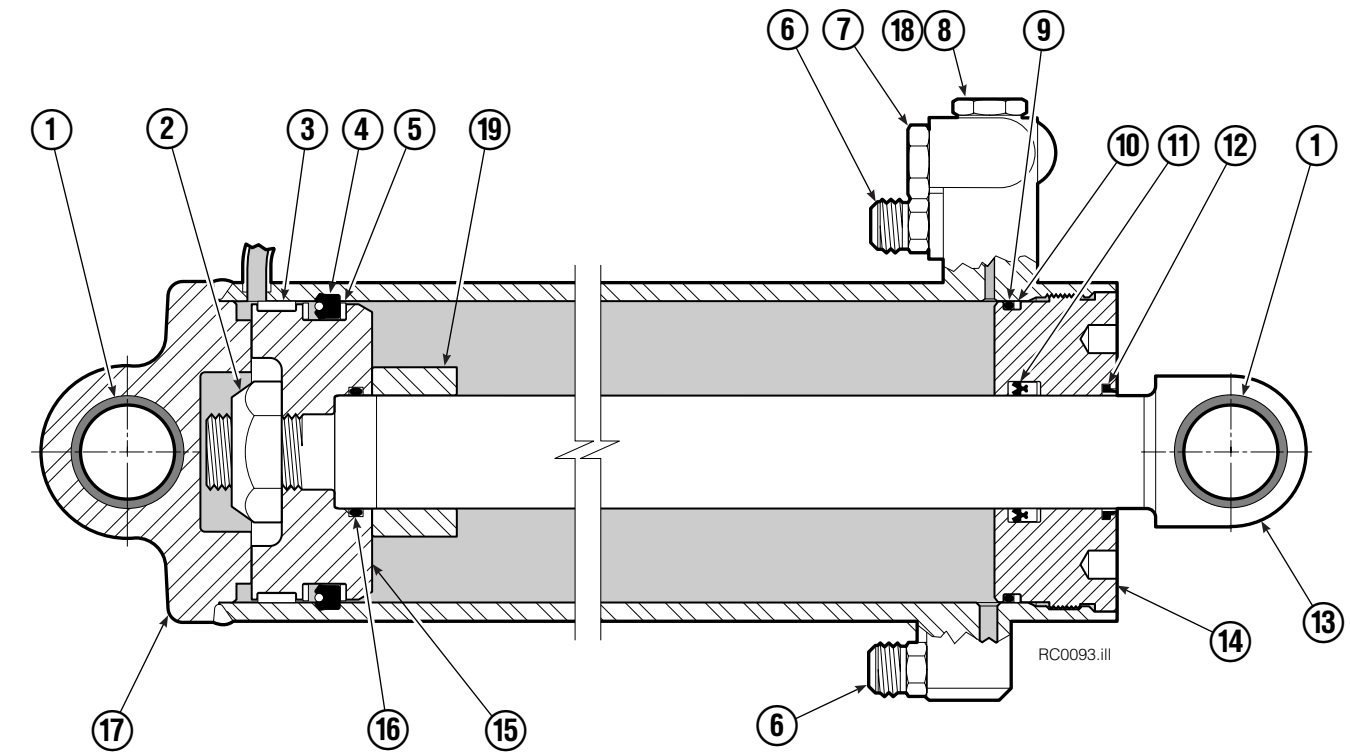
Revolving Connection



77F							
REF	QTY	PART NO.	DESCRIPTION	REF	QTY	PART NO.	DESCRIPTION
		6025982	Revolving Connection	9	2	768798	◆ Capscrew, M8 x 45
1	1	6025914	Body	10	10	604511	Fitting, 6-6
2	3	214649	◆ Seal	11	1	227331	Sequence Valve
3	1	6023274	Shaft	12	1	227318	◆ Quad Ring
4	1	7341	◆ Retaining Ring	13	1	227320	Spool
5	1	6023344	End Block	14	1	220865	Shuttle Check
6	1	3138	◆ Retaining Ring	15	1	609234	Fitting
7	2	684587	◆ O-ring	16	1	663694	Fitting
8	1	6024293	Flow Divider Cartridge	17	1	6020466	Pin Restrictor

◆ Included in Seal Kit 6025987.

Short Arm Cylinder

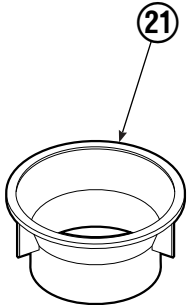
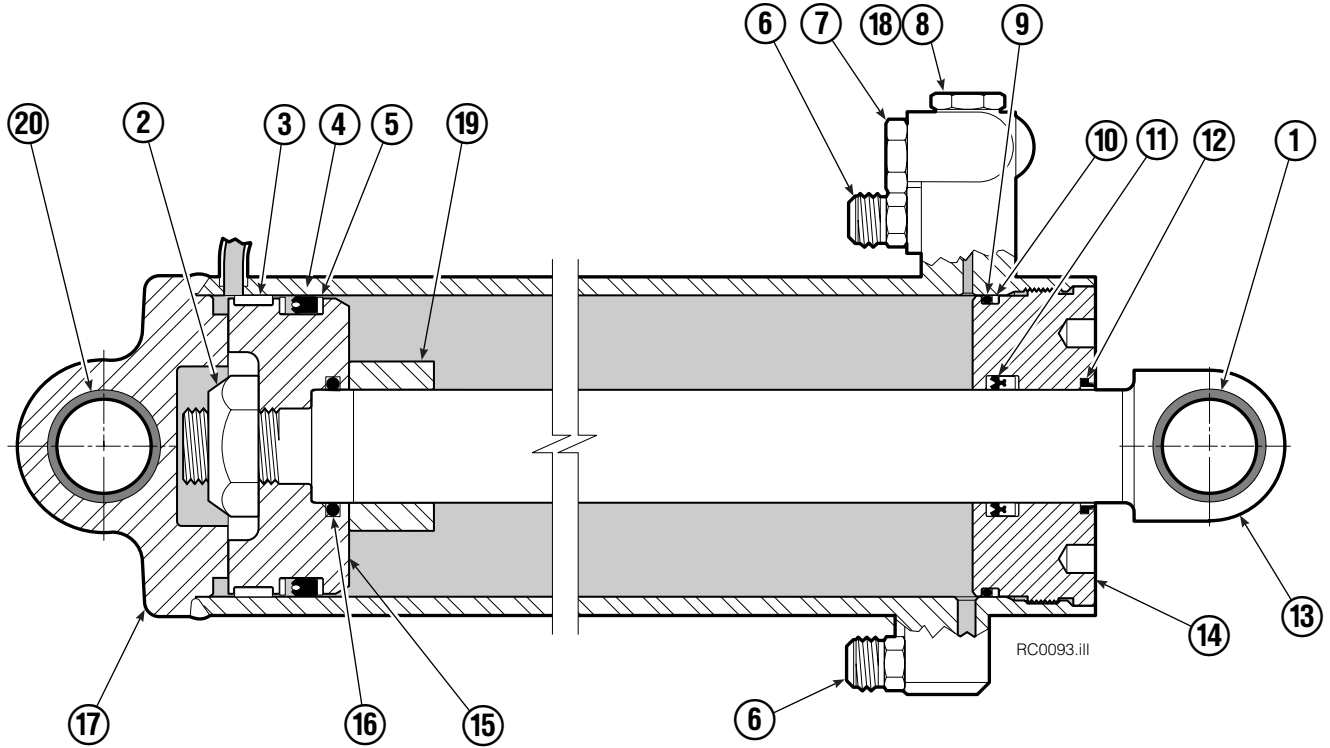


REF	QTY	PART NO.	DESCRIPTION
		557369	Cylinder Assembly
1	3	674843	Bearing
2	1	667990	Nut
3	1	660769	◆ Bearing
4	1	557446	◆ Seal
5	2	638295	◆ Back-Up Ring
6	2	604511	Fitting, 6-6
7	1	556852	Fitting, 4
8	1	557212	Check Valve
9	1	2801	◆ O-Ring
10	1	615144	◆ Back-Up Ring
11	1	554598	◆ Seal
12	1	628047	◆ Wiper
13	1	557398	Rod
14	1	555724	Retainer
15	1	557389	Piston
16	1	2722	◆ O-Ring
17	1	557174	Shell
18	1	667516	Check Valve Service Kit
19	1	—	Spacer
20	1	672910	Seal Loader
		555725	Service Kit

◆ Included in Service Kit 555725.

Reference: S-5313, S-5314

Long Arm Cylinder

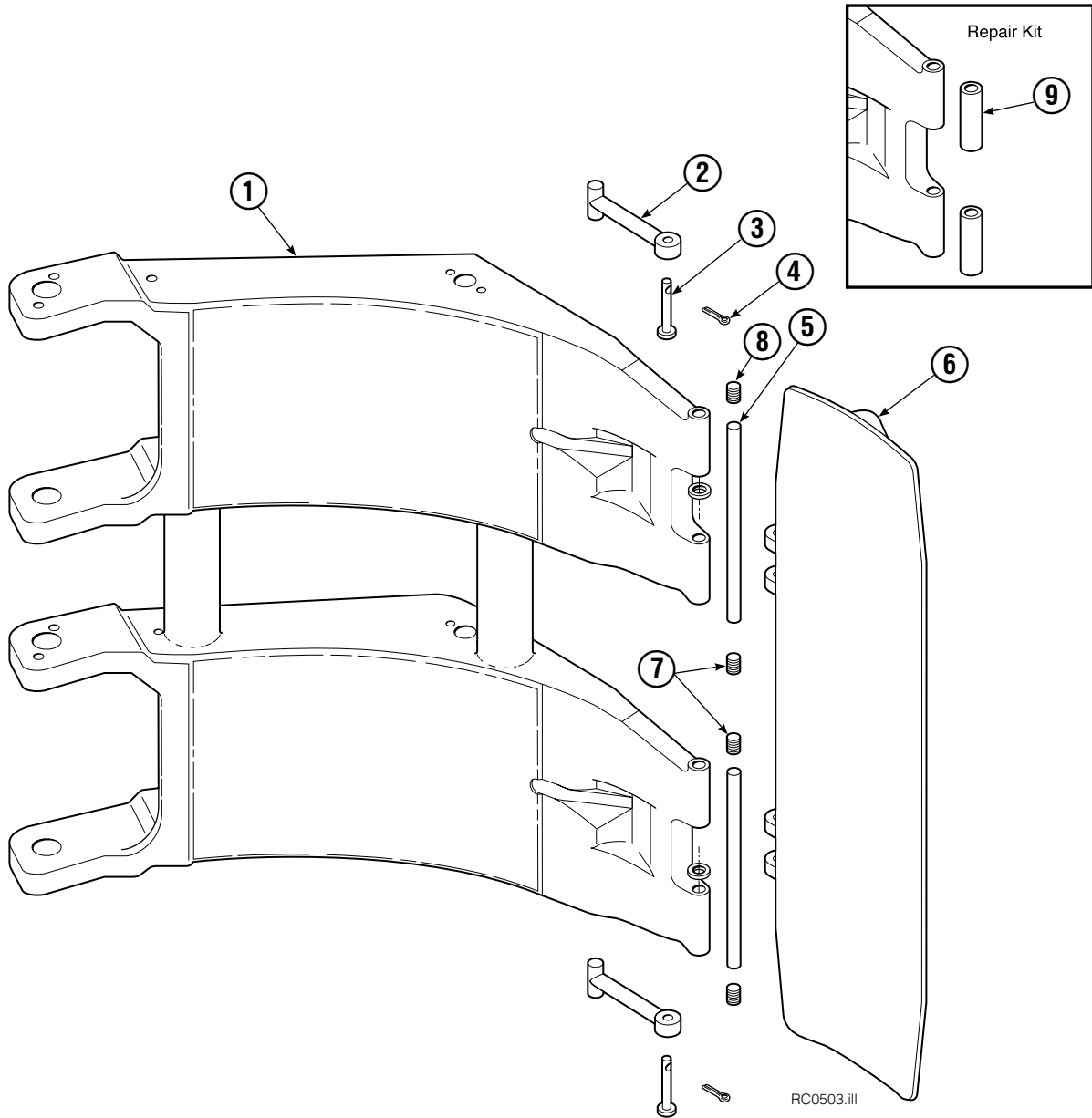


REF	QTY	PART NO.	DESCRIPTION
		557388	Cylinder Assembly
1	1	674843	Bearing
2	1	667990	Nut
3	1	660769	◆ Bearing
4	1	557446	◆ Seal
5	2	638295	◆ Back-Up Ring
6	2	604511	Fitting, 6-6
7	1	556852	Fitting, 4
8	1	557212	Check Valve
9	1	2801	◆ O-Ring
10	1	615144	◆ Back-Up Ring
11	1	554598	◆ Seal
12	1	628047	◆ Wiper
13	1	557406	Rod
14	1	555724	Retainer
15	1	557389	Piston
16	1	2722	◆ O-Ring
17	1	557223	Shell
18	1	667516	Check Valve Service Kit
19	1	—	Spacer
20	2	674843	Bearing
21	1	672910	Seal Loader
		555725	Service Kit

◆ Included in Service Kit 555225.

Reference: S-5320

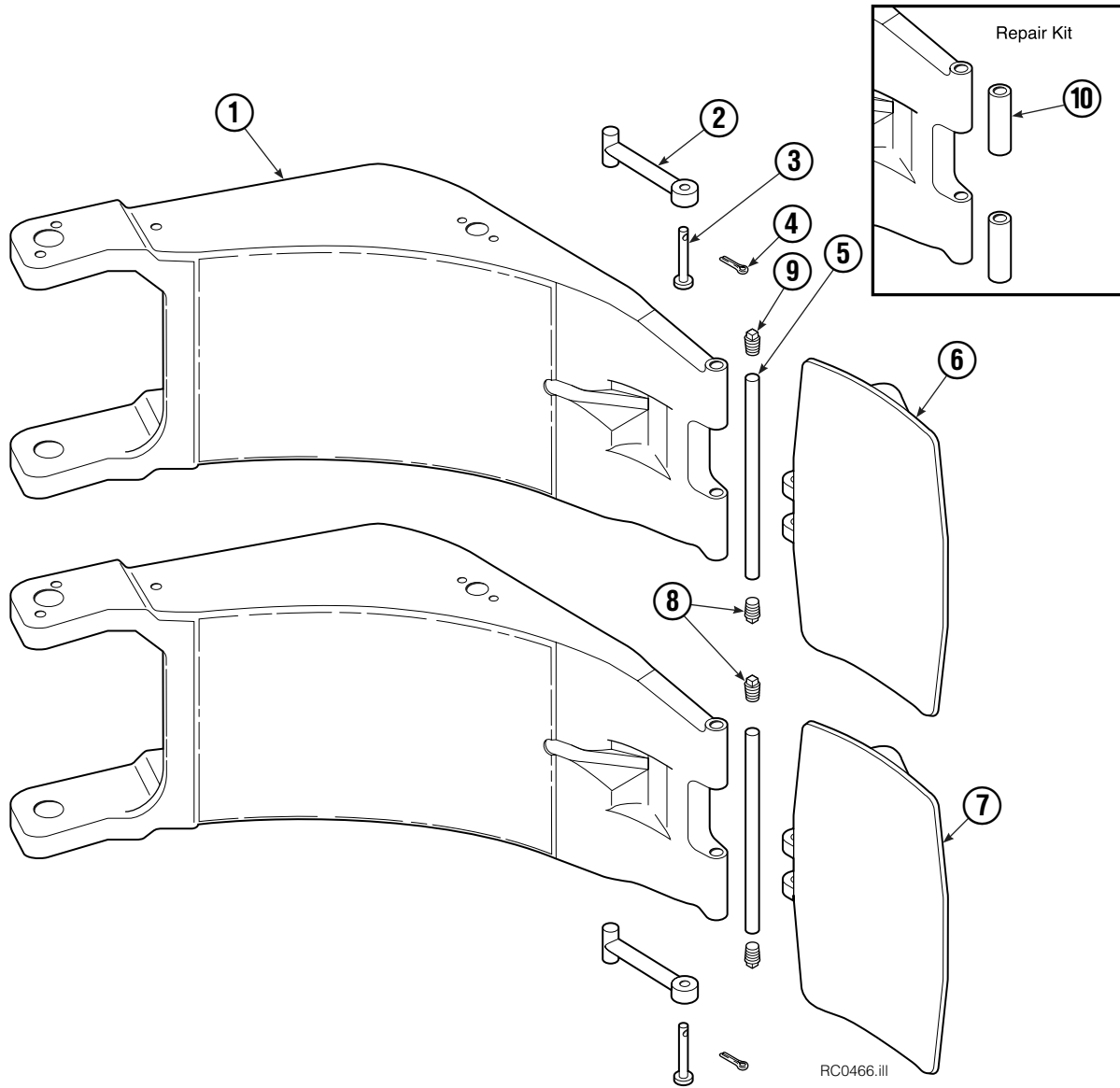
Contact Pad Group - Short Arm



77F			
REF	QTY	PART NO.	DESCRIPTION
		6003395	Contact Pad Group ▲
1	1	377782	Short Arm
2	2	674994	Link
3	2	682978	Clevis Pin
4	2	6525	Cotter Pin
5	2	674993	Pin
6	1	6003393	Contact Pad
7	2	689900	Plug
8	2	201102	Plug
9	1	676810	Arm Tip Repair Kit

▲ Items 2 through 8.

Contact Pad Group - Split Long Arm



77F			
REF	QTY	PART NO.	DESCRIPTION
		6023008	Contact Pad Group ▲
1	2	377708	Arm
2	2	674994	Link
3	2	682978	Clevis Pin
4	2	6525	Cotter Pin
5	2	355510	Pin
6	1	6022999	Contact Pad
7	1	6023102	Contac Pad
8	2	689900	Plug
9	2	6609	Plug
10	1	676810	Arm Tip Repair Kit

▲ Items 2-9.



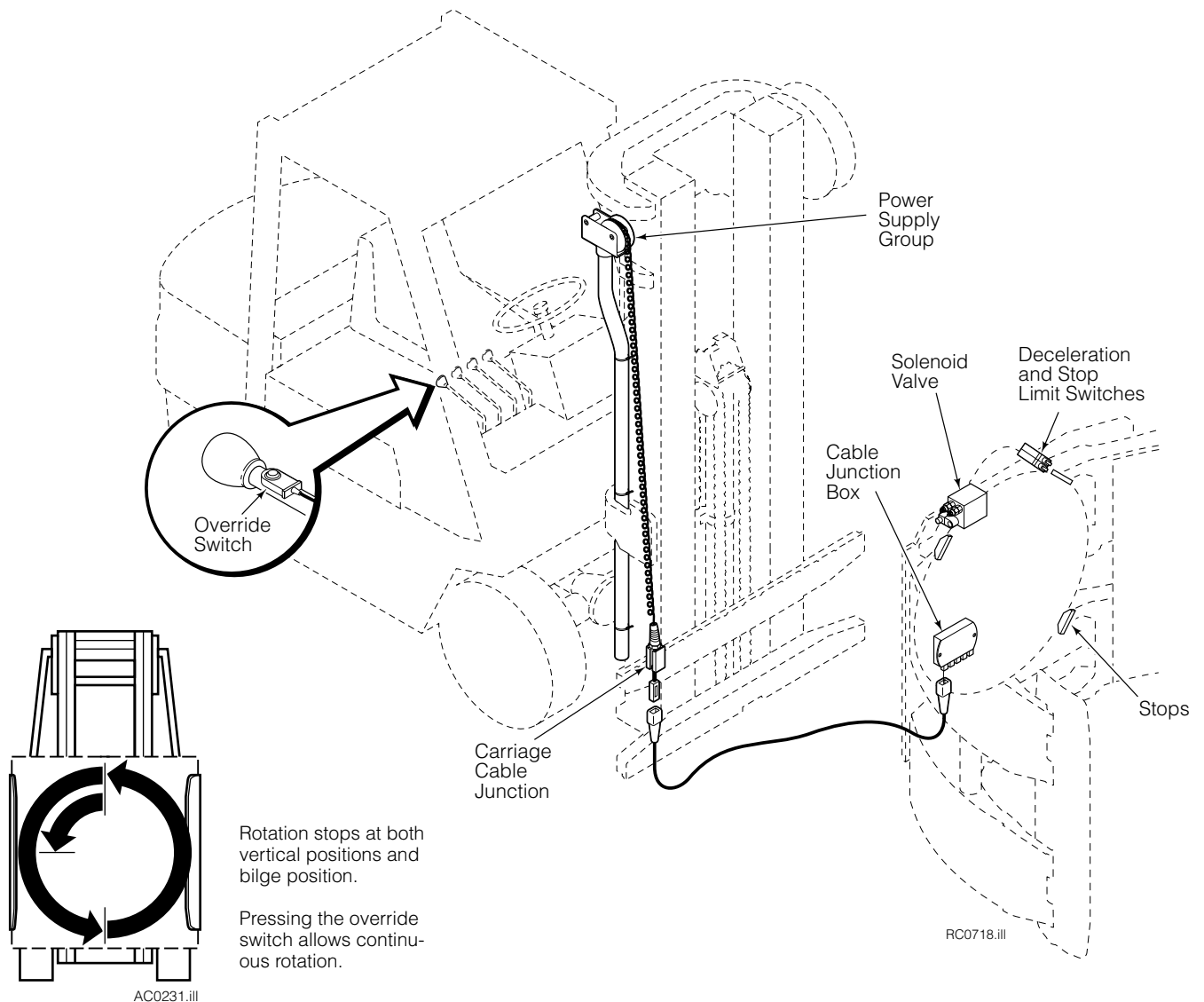
Installation Instructions

Electronic Rotational Control Group

This manual provides installation instructions for Cascade Rotation Control Kits. Rotational Control provides accurate stops during rotation to position the attachment arms at true vertical or bilge position to reduce product damage of misclamped loads. A normally closed switch mounted on the

truck rotate control handle overrides the stop positions for continuous rotation. An electrical supply circuit such as Cascade's Power Supply (recommended) or Cable Reel is required to provide an electrical connection between the attachment and truck control handle switch.

Major components are shown.



cascade[®]
corporation

For Technical Support . . .

Call: 1-800-227-2233

OR

Write: Cascade Corporation, P.O. Box 20187, Portland, OR 97294

To Order Parts . . .

Call: 1-888-227-2233

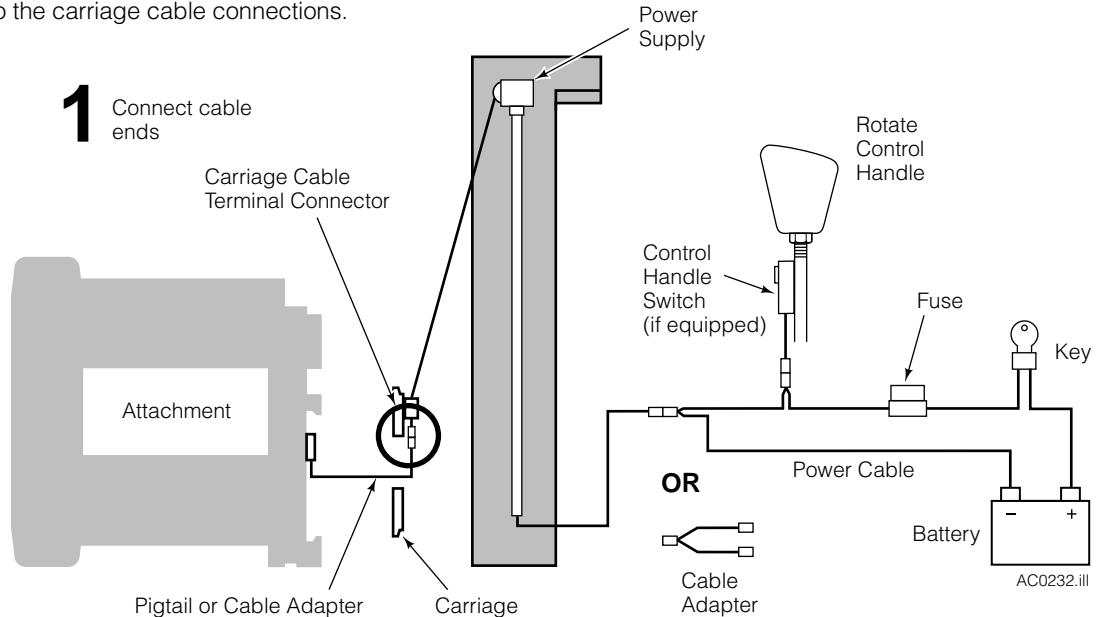
OR

Write: Cascade Corporation, 2501 Sheridan Ave., Springfield, OH 45505

Cable Installation

- 1 Connect the power cable from the relay enclosure on the back of the attachment to the power supply cable end at the truck carriage.

NOTE: This installation shows connection to Cascade's Power Supply Kit 228719 or 6001137 which include all components for electrical supply from the truck battery and control handle to the carriage cable connections.

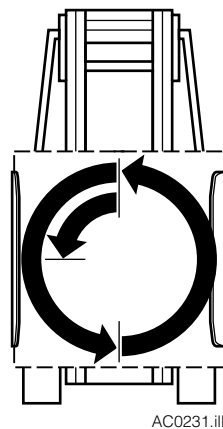


Operation and Adjustment

- 1 Test the installation before putting the truck in service. When rotating, attachment travel should stop at the vertical and bilge handling positions. Wait 3 seconds to rotate after stopping **OR** press the rotate override button to continue rotating.

- If rotation **stops** at vertical or the bilge position, continue with step 2.
- If rotation **does not stop** at the vertical or bilge positions:
 - A Inspect the wiring installation. Look for loose connections or pinched cables.
 - B The limit switch end rollers are not fully engaging the deceleration ramp and stop capscrew at the vertical or bilge position. Adjust the limit switch actuators to engage the ramp and stop capscrew. The ramp and stop can also be adjusted for precision of the stop position. The stop capscrew height is also adjustable.

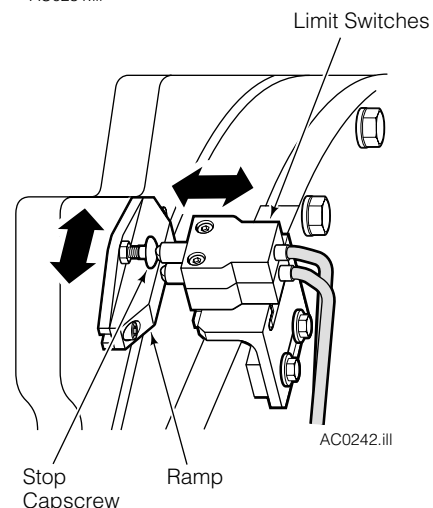
- 2 To continue rotation, wait 3 seconds after stopping or the rotate override button must be pressed to continue rotation.
To rotate without stopping, press the override button.



Rotation stops at both vertical positions and at the bilge position.

Pressing the override switch allows continuous rotation.

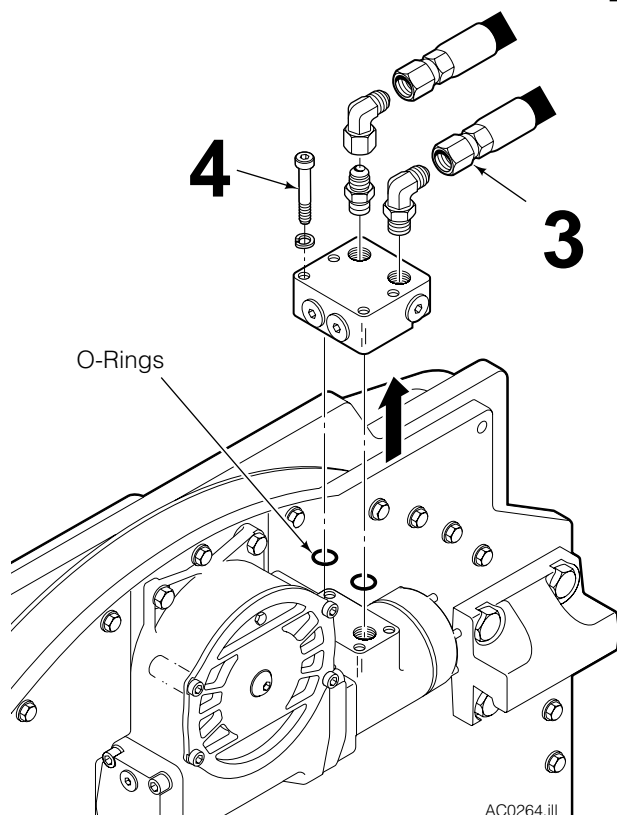
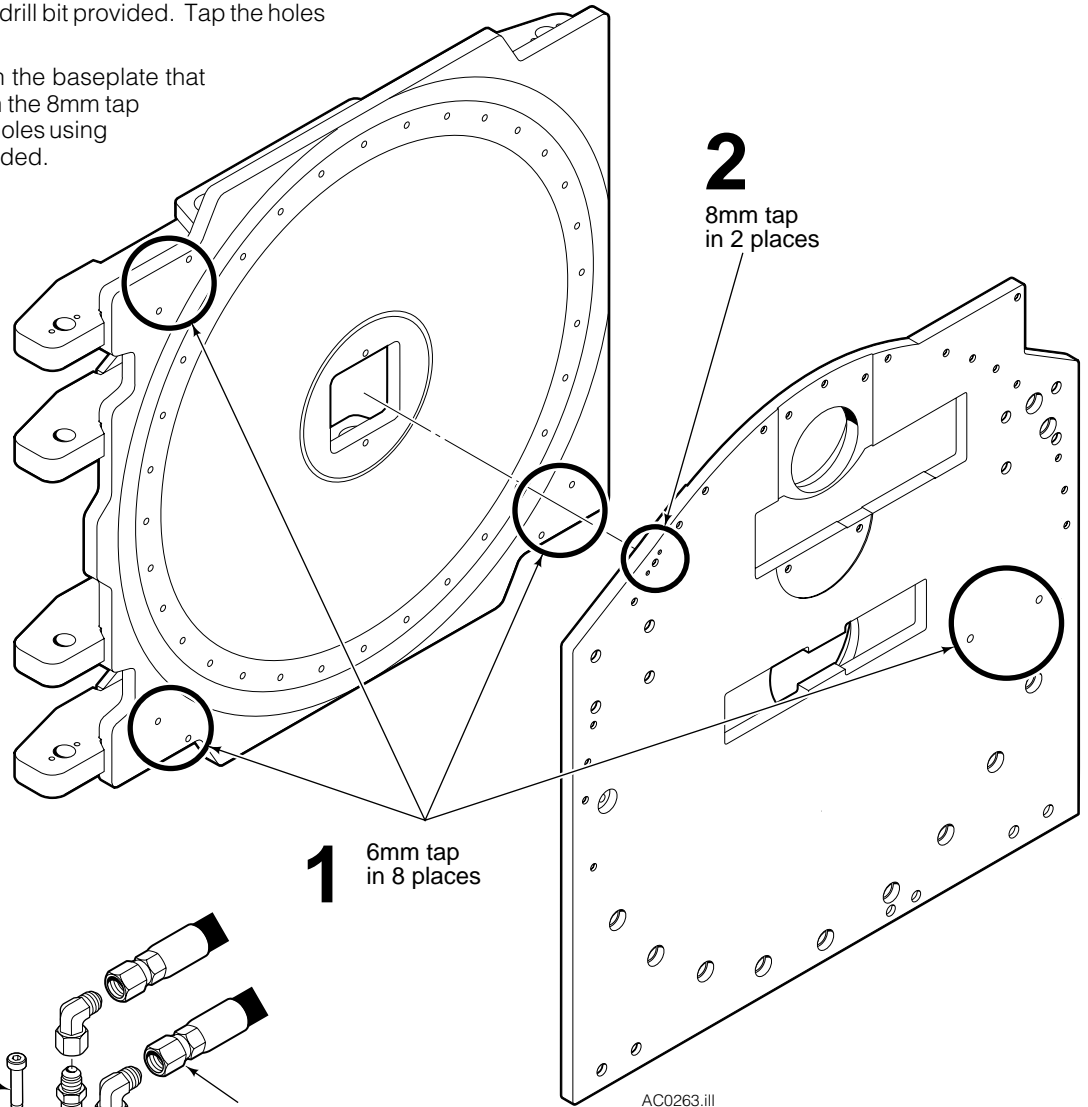
Wait 3 seconds or press override button to continue rotating.



Retrofit Installation

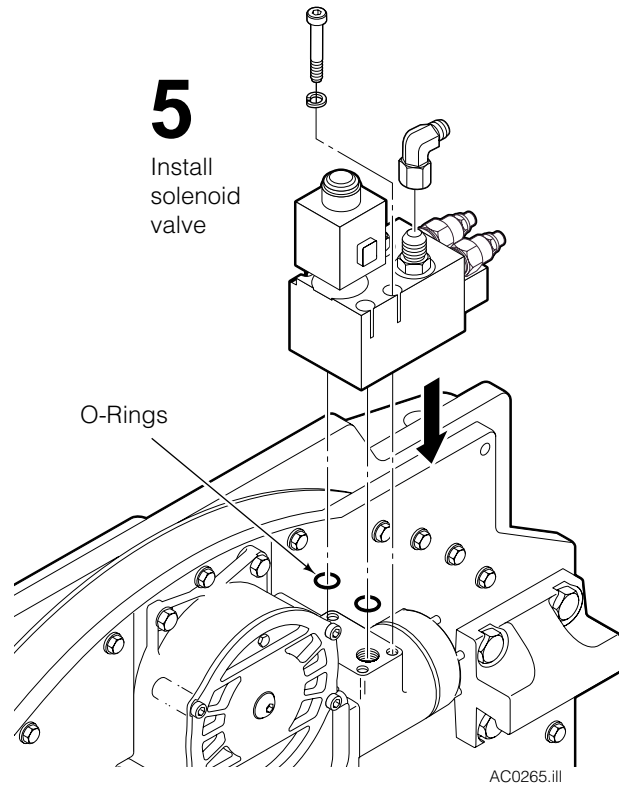
Rotational control is also available as a field installable kit for attachments that have predrilled faceplates and baseplates.

- 1** Locate the eight holes that need to be tapped with the 6mm tap provided. Six holes are located in the faceplate and two holes are located in the baseplate. Drill out the holes using the 5.3mm drill bit provided. Tap the holes using the 6mm tap.
- 2** Locate the two holes in the baseplate that need to be tapped with the 8mm tap provided. Drill out the holes using the 7.3mm drill bit provided. Tap the holes using the 8mm tap.

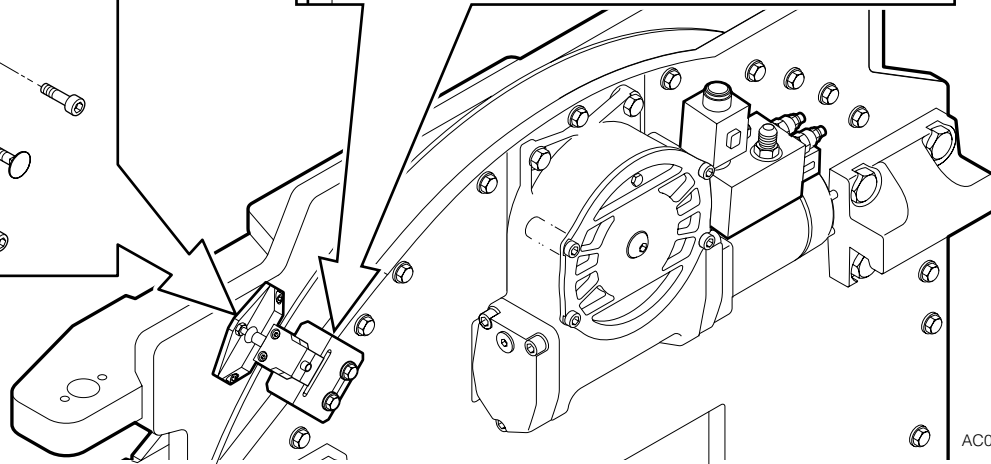
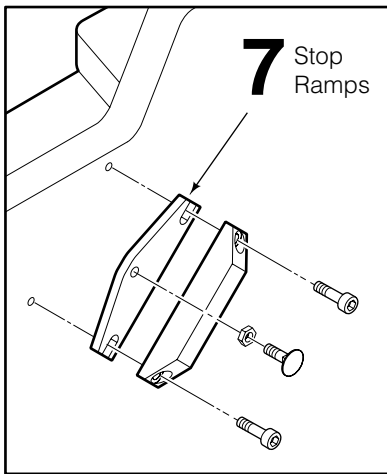
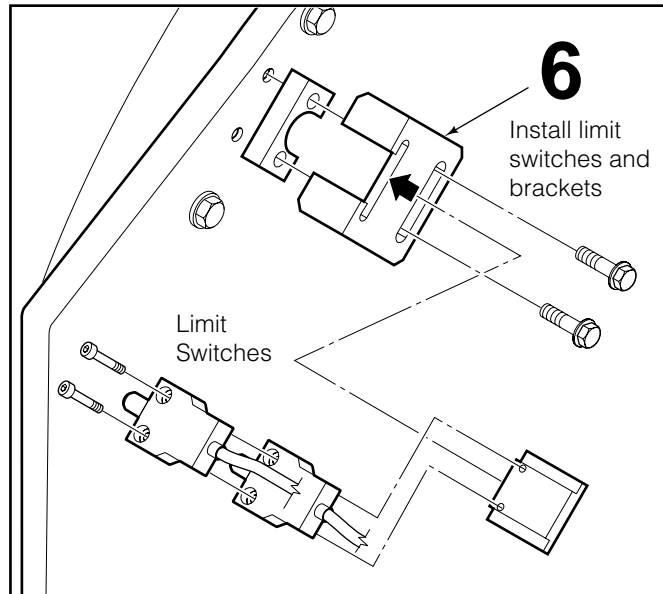


- 3** Disconnect hydraulic hoses to the drive group. Tag the hoses for reassembly.
- 4** Remove the four capscrews fastening the check valve to the drive group. Keep track of the two O-rings between the check valve and drive motor.

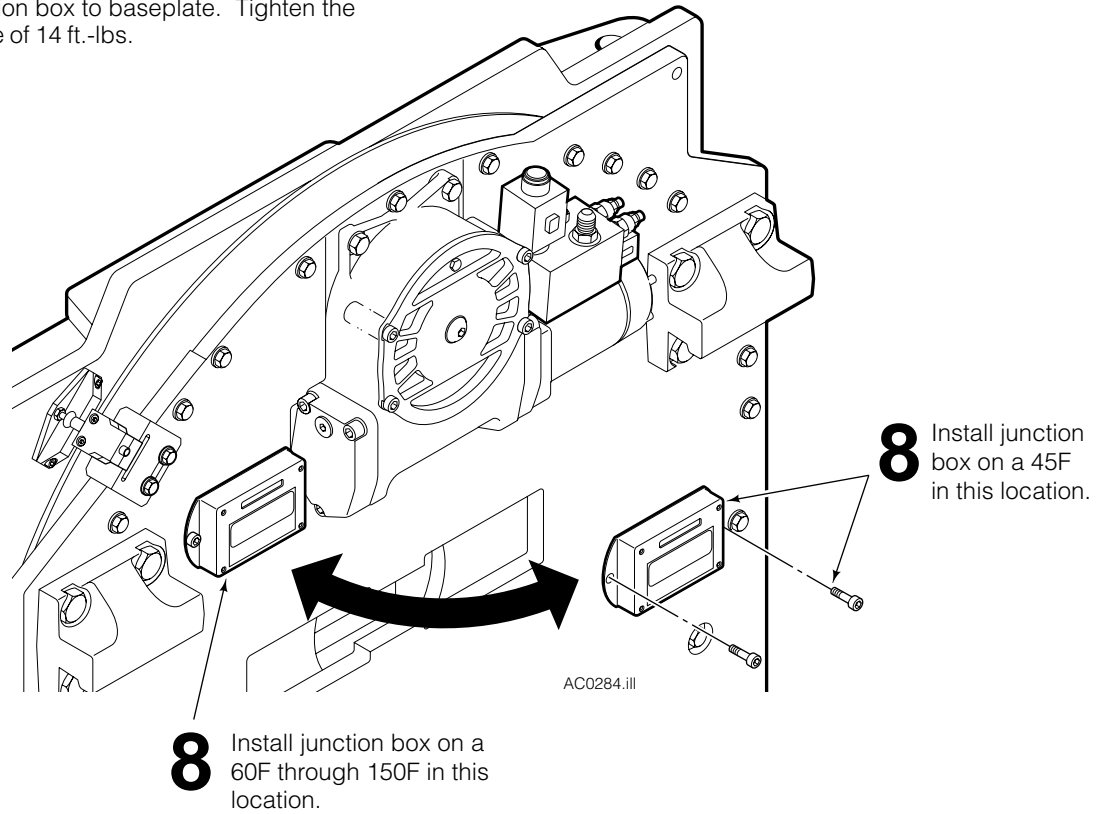
- 5** Install the new solenoid valve to the drive group. Place the two O-rings between the solenoid valve and drive motor and install the four capscrews. Tighten the capscrews to a torque of 20 ft.-lbs.



- 6** Install the limit switches and brackets to the baseplate. Tighten the baseplate bracket capscrews to a torque of 14 ft.-lbs.
- 7** Install the stop ramps to the faceplate. Tighten the stop capscrews to a torque of 3 ft.-lbs.

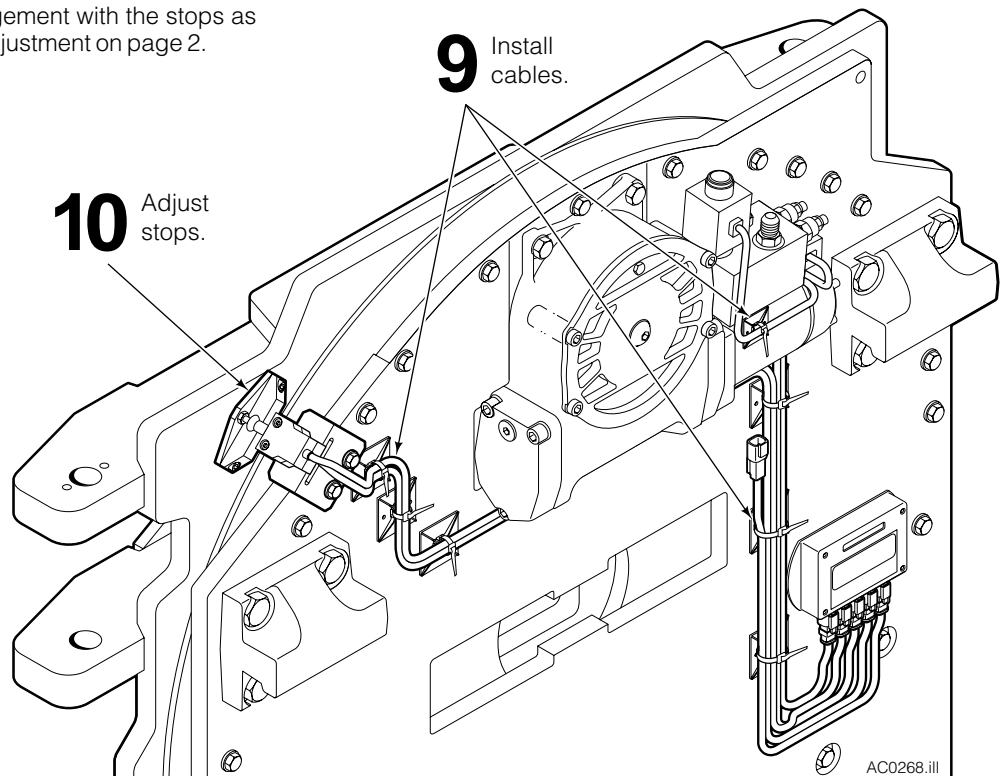


- 8** Install the cable junction box to baseplate. Tighten the capscrews to a torque of 14 ft.-lbs.

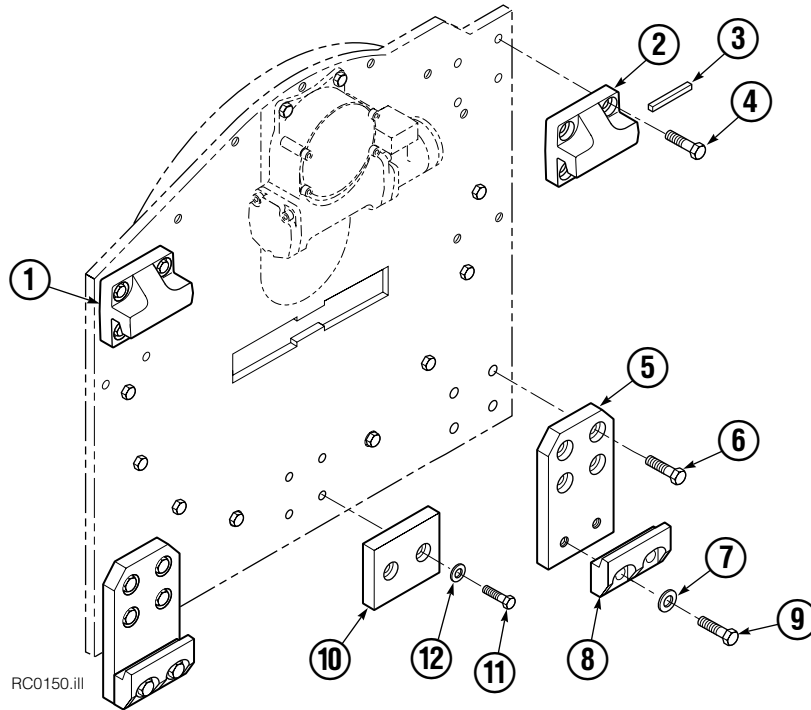


- 9** Install the cables. Use the adhesive blocks and wire ties to secure the wiring.

- 10** Adjust the limit switch engagement with the stops as described in Operation and Adjustment on page 2.



Bolt-On Mounting Group



Class IV, 0°			
REF	QTY	PART NO.	DESCRIPTION
		678504	Mounting Group
1	1	675062	Upper Hook – LH
2	1	675061	Upper Hook – RH
3	1	670704	Stop Kit
4	8	675078	Capscrew, 3/4 NC x 1.50
5	2	675082	Extension
6	8	673387	Capscrew, 5/8 NC x 1.75
7	4	670692	Washer
8	2	679832	Lower Hook
9	4	675079	Capscrew, 3/4 NC x 2.00
10	1	675081	Center Spacer
11	2	4472	Capscrew, 3/8 NC x 1.50
12	2	6372	Lockwasher, 3/8 in. ID

Do you have questions you need answered right now? Call your nearest Cascade Parts Department. Visit us online at www.cascorp.com

Cascade Corporation
2501 Sheridan Avenue
Springfield, OH 45505
Tel: 888-CASCADE (227-2233)
FAX: 888-329-0234

Cascade Canada Inc.
5570 Timberlea Blvd.
Mississauga, Ontario
Canada L4W-4M6
Tel: 905-629-7777
FAX: 905-629-7785

Cascade GmbH
D-41199 Monchengladbach
Klosterhofweg 52
Germany
Tel: 49-216-668230
FAX: 49-216-6682323

Cascade Finland
Albert Petreliuksenkatu 3
01370 Vantaa
Finland
Tel: 358-9-836-1925
FAX: 358-9-836-1935

**Cascade N.V.
European Headquarters**
P.O. Box 3009
1300 El Almere
Damsluisweg 56
1332 ED Almere
The Netherlands
Tel: 31-36-5492911
FAX: 31-36-5492964

**Cascade N.V.
Benelux Sales and Service**
P.O. Box 3009
1300 El Almere
Damsluisweg 56
1332 ED Almere
The Netherlands
Tel: 31-36-5492950
FAX: 31-36-5492974

Cascade (UK) Ltd.
15, Orgreave Crescent
Dore House Industrial Estate
Handsworth
Sheffield S13 9NQ
England
Tel: 742-697524
FAX: 742-695121

Cascade Scandinavia AB
Box 124
Hammarvägen 10
567 23 Vaggeryd
Sweden
Tel: 42-0-393-36950
FAX: 46-0-393-36959

Cascade Norway
Østerliveien 37A
1153 Oslo
Norway
Tel: 47-22-743160
FAX: 47-22-743157

Cascade France S.A.R.L.
1D Rue De Charaintru
BP 18, 91360 Epinay-Sur-Orge
Morangis Cedex, France
Tel: 33-1- 64547500
FAX: 33-1-64547501

Cascade Hispania S.A.
Carrer 5 Sector C
Zona Franca Duanera
Poligono de la Zon Franca
08040 Barcelona, Spain
Office No. 256
Tel: 93-264-07-30
FAX: 93-264-07-31

Cascade Japan Ltd.
5-5-41,
Torikai Kami
Settsu, Osaka
Japan, 566
Tel: 81-726-53-3490
FAX: 81-726-53-3497

Cascade Korea
108B, Namdong Ind Complex
658-3 Gojan-Dong
Namdong-Gu
Inchon, 405-310 Korea
Tel: 82-32-821-2051
FAX: 82-32-821-2055

Cascade Australia
1445 Ipswich Road
Rocklea, QLD 4106
Australia
Tel: 1-800227-223
FAX: (07) 3373-7333

Cascade New Zealand
15 Ra Ora Drive
East Tamaki, Auckland
New Zealand
Tel: 9-273-9136
FAX: 9-273-9137

Cascade (Africa) Pty. Ltd.
P.O. Box 625, Isando 1600
60A Steel Road
Sparton, Kempton Park
South Africa
Tel: 27-11-975-9240
FAX: 27-11-394-1147

Cascade-Xiamen
No. 668 Yangguang Rd.
Xinyang Industrial Zone
Haicang, Xiamen City
Fujian Province
P.R. China 361026
Tel: 86-592-651-2500
FAX: 86-592-651-2571

**Cascade (Singapore)
Trading Co.**
Four Seasons Park
Autumn Block - Apt. 1802
12 Cuscaden Walk
Singapore
Tel: 65-834-1935
FAX: 65-834-1936

