



Parts Manual

Model Carton Clamp

Serial Number 33E-CC-099

cascade[®]

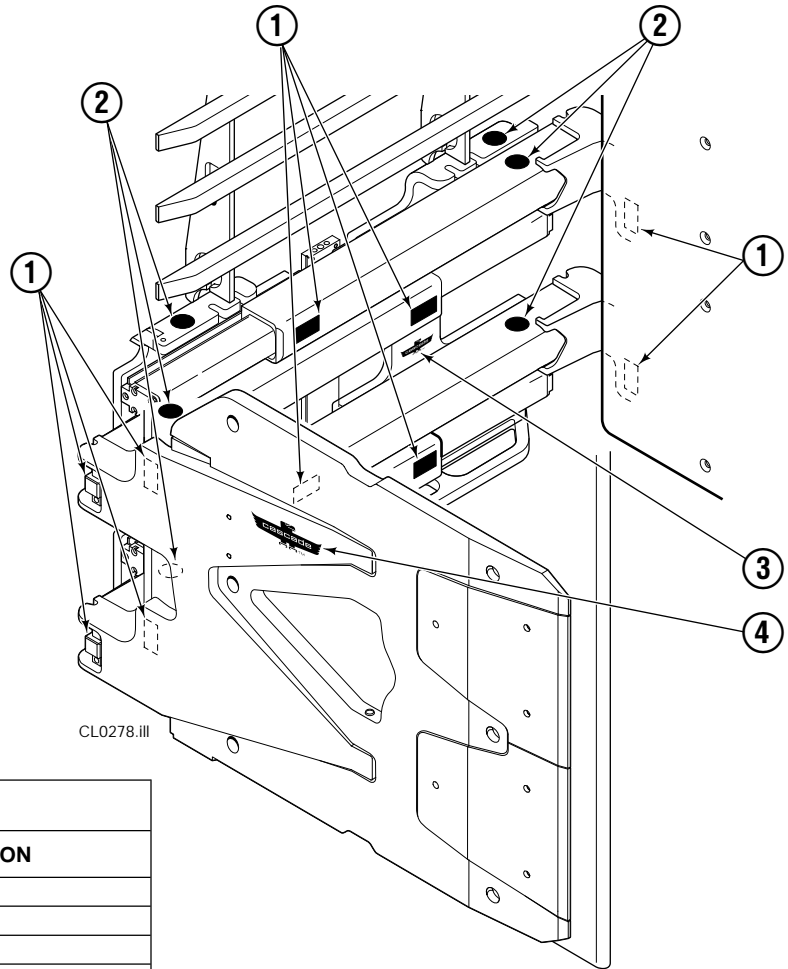
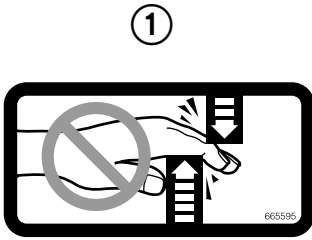
For Technical Assistance and to Order Parts . . .

Call: 1-800-CASCADE or 503-669-6300

OR

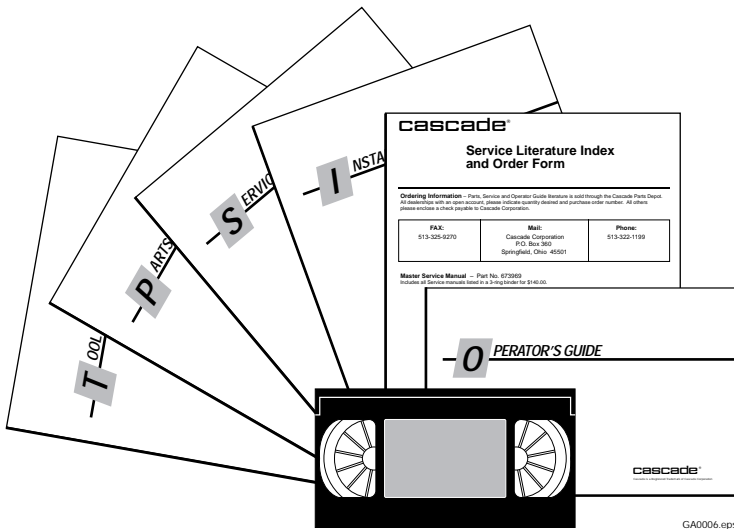
Write: Cascade Corporation, P.O. Box 20187, Portland, OR 97294-0187

Decals



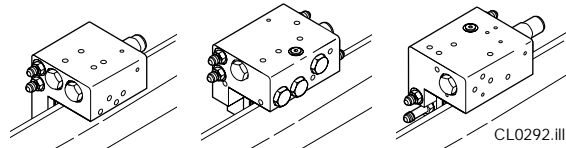
33E			
REF	QTY	PART NO.	DESCRIPTION
1	12	665595	No Hand Hold Decal
2	6	679150	No Step Decal
3	1	211274	80 mm Eagle
4	2	211275	160 mm Eagle

Publications



33E	
PART NO.	DESCRIPTION
214270	Parts Manual
210273	Operator's Guide
212116	Installation Instructions
679929	Tool Catalog
673964	Literature Index Order Form

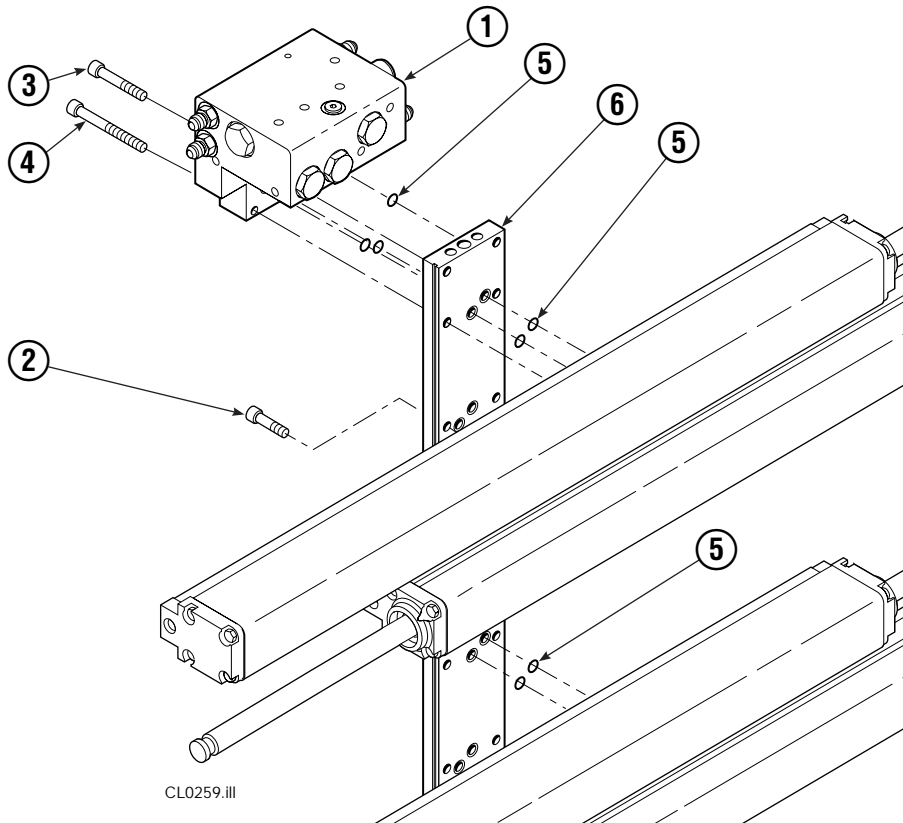
Hydraulic Group



Non-Sideshifting Valve

Sideshifting Without Regeneration

Sideshifting With Regeneration

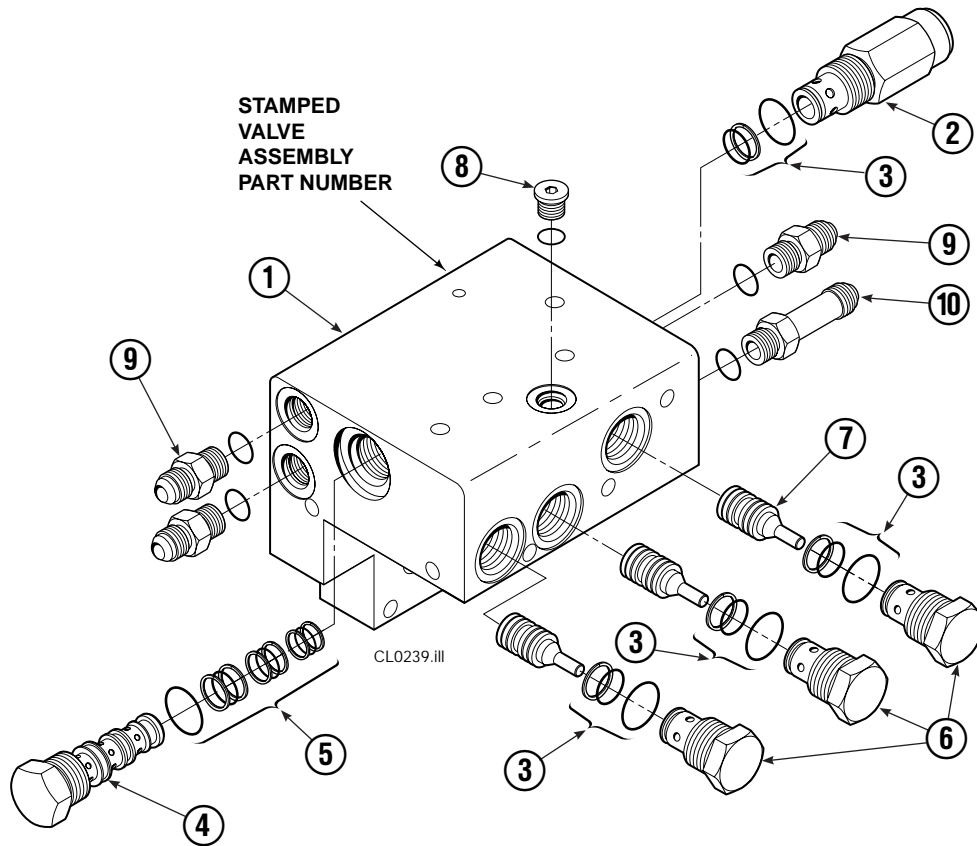


33E					
REF	QTY	NON-SIDESHIFT	SIDESHIFTING		DESCRIPTION
			Without Regen.	With Regen.	
		211169	210456	210457	Valve Group
1	1	211567	212941	212970	Valve Assembly ▲
2	6	768208	768208	768208	Capscrew, M8 x 25
3	2	768797	768797	768797	Capscrew, M8 x 40
4	2	768800	768800	768800	Capscrew, M8 x 60
5	11	214053	214053	214053	O-Ring
6	1	212974	212974	212974	Manifold

▲ See specific Valve page for parts breakdown, part number stamped on valve.
Reference: SK-6090, 212983.

Valve

Sideshifting Without Regeneration

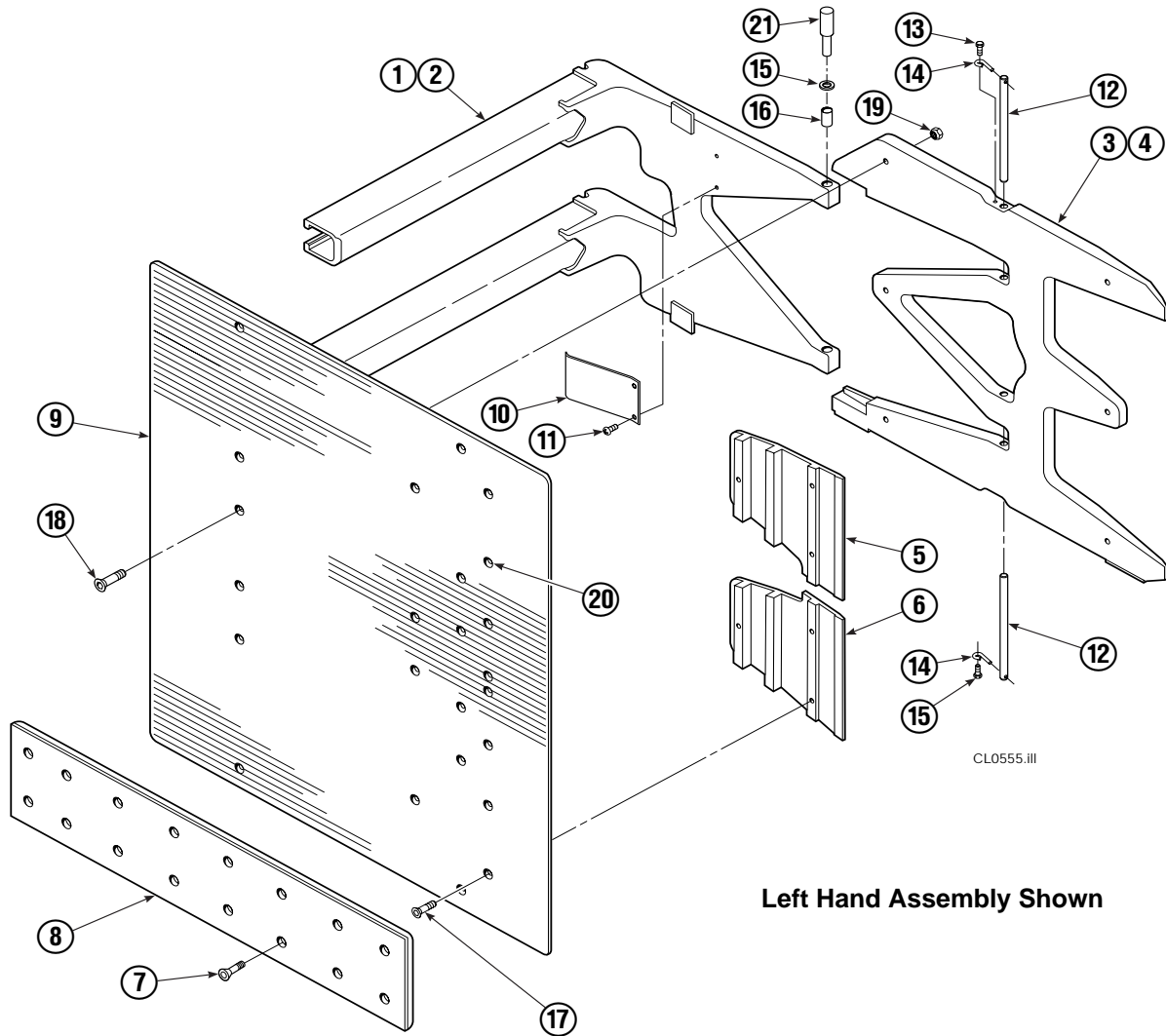


33E			
REF	QTY	PART NO.	DESCRIPTION
		212941	Valve Assembly
1	1	212940	Valve Body
2	1	214405	Crossover Relief Valve
3	4	682170	Seal Kit ▲
4	1	210266	Flow Divider/Combiner
5	1	679992	Seal Kit ▲
6	3	209847	Check Valve
7	3	210265	Piston
8	1	609234	Fitting, 4
9	3	604511	Fitting, 6-6 ●
10	1	605743	Fitting, 6-6 ●
		210452	Valve Service Kit

▲ Included in Valve Service Kit 210452.

● Included in Fitting Group 212978.

Arms and Pads



Left Hand Assembly Shown

REF	QTY	PART NO.	DESCRIPTION
		397430	Contact Pad Group (Includes items 7, 8 & 9)
1	1	212003	Arm - LH
2	1	212004	Arm - RH
3	1	210403	Stabilizer - LH
4	1	210406	Stabilizer - RH
5	2	210180	Filler Block - LH Upper/RH Lower
6	2	210179	Filler Block - LH Lower/RH Upper
7	32	200504	Capscrew
8	1	397436	Wear Strip - LH
8	1	397433	Wear Strip - RH
9	1	397434	Contact Pad - LH
9	1	397431	Contact Pad - RH

Reference: S-8833

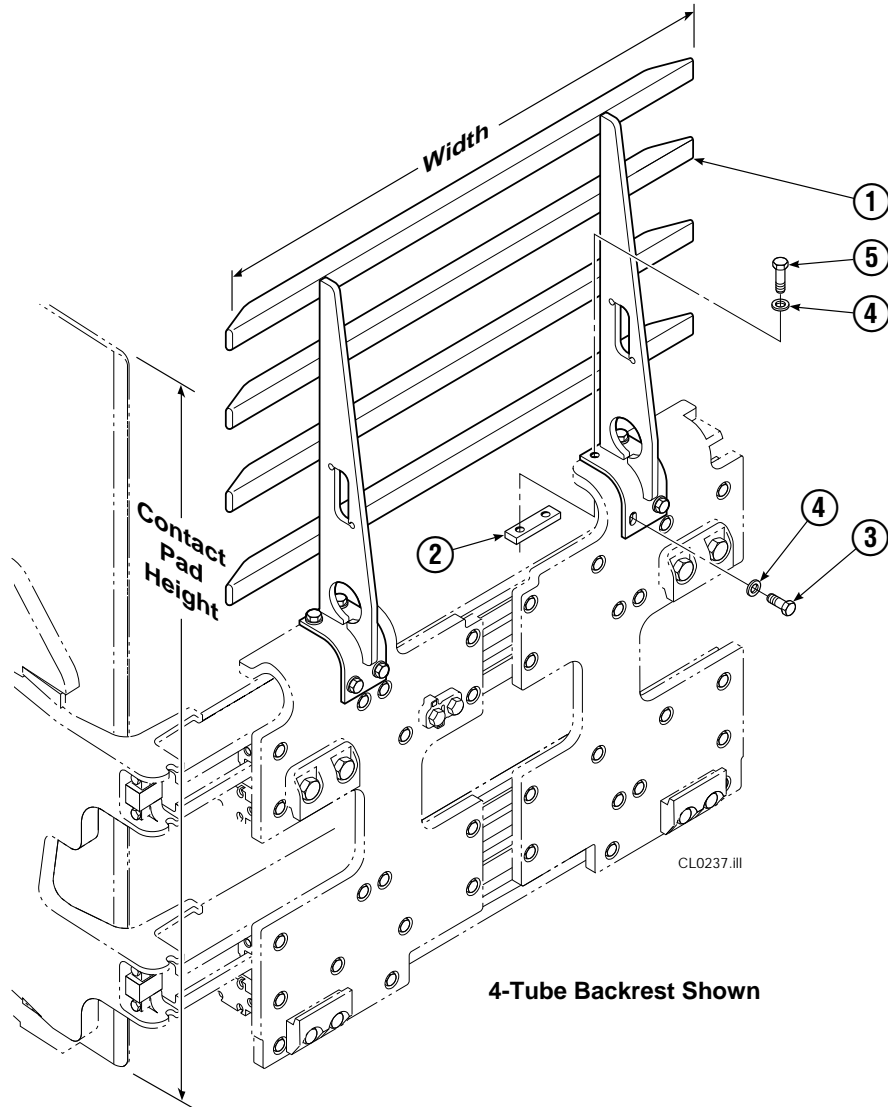
Common Parts

REF	QTY	PART NO.	DESCRIPTION	REF	QTY	PART NO.	DESCRIPTION
10	2	210154	Spring	16	8	200590	Bushing
11	4	203405	Capscrew, M10 x 16	17	12	766646	Capscrew, M10 x 20
12	4	210161	Pin	18	12	768706	Capscrew, M12 x 35
13	4	787372	Capscrew, M8 x 20	19	12	683170	Nut, M12
14	4	682999	Eye Pin	20	▲	673841	Contact Pad Repair Kit
15	8	675620	Washer, M10	21	1	675626	Bushing Driver Tool

Common Parts: 210495
Stabilizer Group: 210409

▲ Repairs one hole.

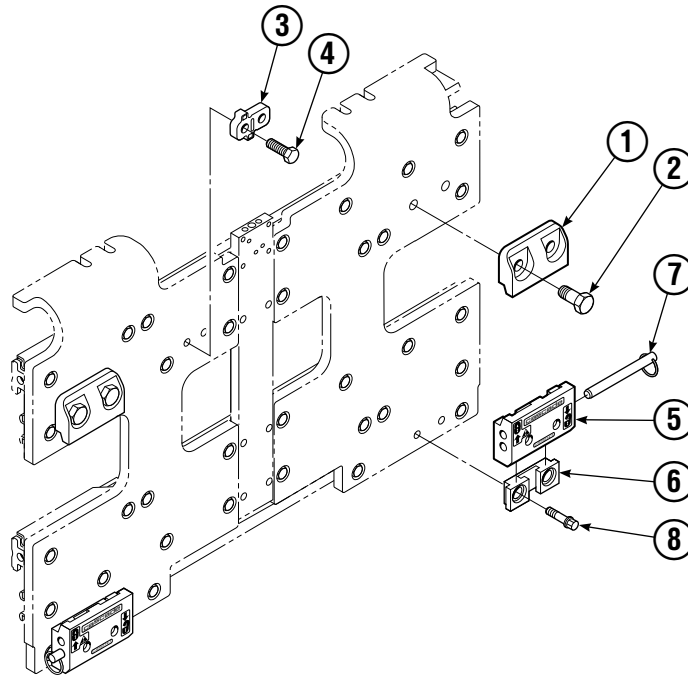
Backrest Group



33E				
REF	QTY	CONTACT PAD HEIGHT		DESCRIPTION
		47 in. (1200 mm) – 3-Tube		
1	1	210525		Backrest ▲ – 40 in. (1016 mm) width
2	2	210155		Plate
3	4	211689		Capscrew, M12 x 30
4	8	202251		Washer, M12
5	4	206174		Capscrew, M12 x 45

▲ Backrest without Solenoid Adaption mounting.
Reference: S-4198, S-4265.

Quick Change Mounting Group



CL0235.iii

33E			
REF	QTY	ITA II	DESCRIPTION
		PART NO.	
		211162	Upper Hook Group ▲
		211174	Lower Hook Group ●
1	2	210491	Upper Hook
2	4	768577	Capscrew, M20 x 35
3	1	212999	Center Key
4	2	211128	Capscrew, M16 x 30
5	2	675514	Lower Hook
6	2	675515	Guide
7	2	678832	Pin
8	4	211180	Capscrew, M16 x 30

▲ Includes items 1, 2, 3 & 4.

● Includes items 5, 6, 7 & 8.

Reference: SK-6089.

Do you have questions you need answered right now? Call your nearest Cascade Parts Department.

Cascade Corporation

2201 NE 201st
Troutdale, OR 97060
Tel: 1-800-CAS-CADE
503-669-6300
FAX: 503-669-6338

Cascade Canada Inc.

5570 Timberlea Blvd.
Mississauga, Ontario
Canada L4W-4M6
Tel: 905-629-7777
FAX: 905-629-7785

Cascade GmbH

D-41199 Monchengladbach
Klosterhofweg 52
Germany
Tel: 21-66-602091
FAX: 21-66-680947

Cascade Finland

01370 Vantas
Finland
Tel: 358-0-836-1925
FAX: 358-0-836-1935

**Cascade N.V.
European Headquarters**

P.O. Box 3009
1300 El Almere
Damsluisweg 56
1332 ED Almere
The Netherlands
Tel: 31-36-5492911
FAX: 31-36-5492964

**Cascade N.V.
Benelux Sales and Service**

P.O. Box 3009
1300 El Almere
Damsluisweg 56
1332 ED Almere
The Netherlands
Tel: 31-36-5492950
FAX: 31-36-5492974

Cascade (UK) Ltd.

15, Orgreave Crescent
Dore House Industrial Estate
Handsworth
Sheffield S13 9NQ
England
Tel: 742-697524
FAX: 742-695121

**Cascade Scandinavia
Hydraulik A.B.**

Muskötgatan 19, E8-9
S25466 Helsingborg
Sweden
Tel: 42-151135
FAX: 42-152997

Cascade Norway

Østerliveien 37A
1153 Oslo
Norway
Tel: 47-22-743160
FAX: 47-22-743157

Cascade France S.A.R.L.

11, Rue Jean Charcot
Zone Industrielle Sud or
B.P. 22
91421 Morangis Cedex
France
Tel: 1- 64547501
FAX: 1-9790584

Cascade Hispania S.A.

Avenida De La Fabregada, 7
Hospitalet De Llobregat
Barcelona
Spain
Tel: 3-335-5158
FAX: 3-335-4756

Cascade Japan Ltd.

5-5-41,
Torikai Kami
Settsu, Osaka
Japan, 566
Tel: 81-726-53-3490
FAX: 81-726-53-3497

Cascade Korea

Room 508, Pum Yang Bldg.
750-14, Bang Bac-Dong
Se-Cho Ku, Seoul
Korea
Tel: 2599-7131 ext. 512
FAX: 2533-8089

HYCO-Cascade Pty. Ltd.

87 Antimony Street
Carole Park,
Brisbane 4300
Australia
Tel: 7-271-1966
FAX: 7-271-3830

HYCO-Cascade (NZ) Ltd.

15 Ra Ora Drive, East Tamaki
P.O. Box 38-440
Howick, Auckland
New Zealand
Tel: 9-273-9136
FAX: 9-273-9137

Cascade (Africa) Pty. Ltd.

P.O. Box 625, Isando 1600
60A Steel Road
Sparton, Kempton Park
South Africa
Tel: 975-9240
FAX: 394-1147

Cascade-Xiamen

Wanshan No. 1 Workshop
Huli Road
Xiamen 361006
Fujian, PRC
Tel: 592-562-4600
FAX: 592-562-4671

**Cascade (Singapore)
Trading Co.**

Four Seasons Park
Autumn Block - Apt. 1802
12 Cascaden Walk
Singapore
Tel: 65-834-1935
FAX: 65-834-1936

