



# Parts Manual

---

Model 40D Turn-A-Fork

Serial Number 40D-CTS-186

---

**cascade**<sup>®</sup>  
corporation

**For Technical Assistance call:** 800-227-2233, Fax: 888-329-8207

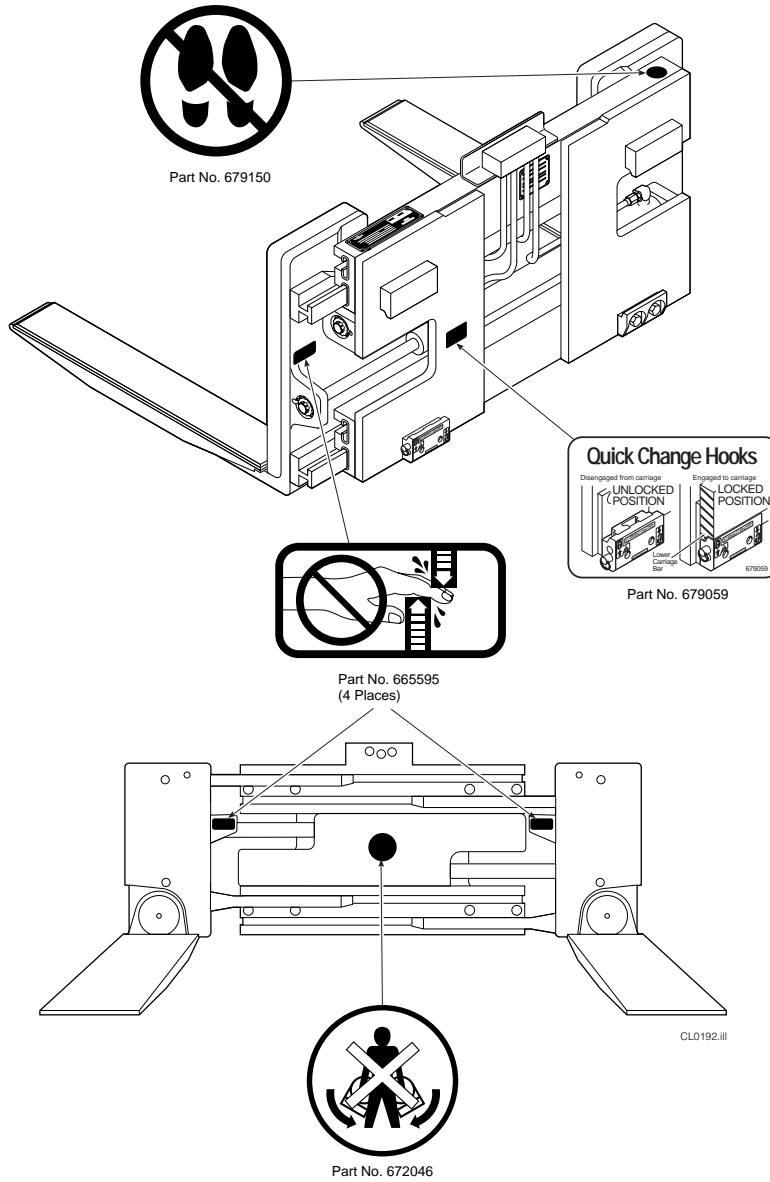
**To Order Parts call:** 888-227-2233, Fax: 888-329-0234

**OR**

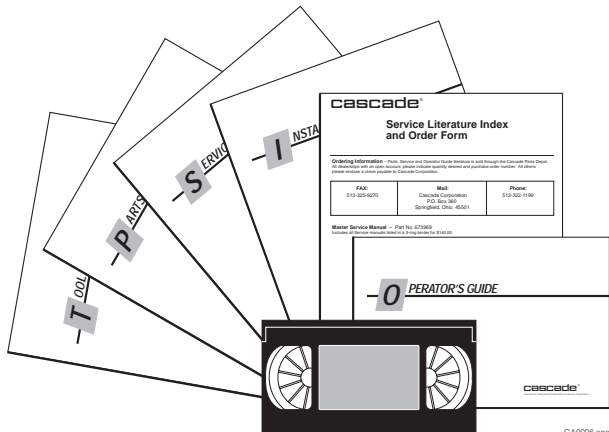
**Write:** Cascade Corporation, P.O. Box 20187, Portland, OR 97220

**Internet:** [www.cascorp.com](http://www.cascorp.com)

# Safety Decals

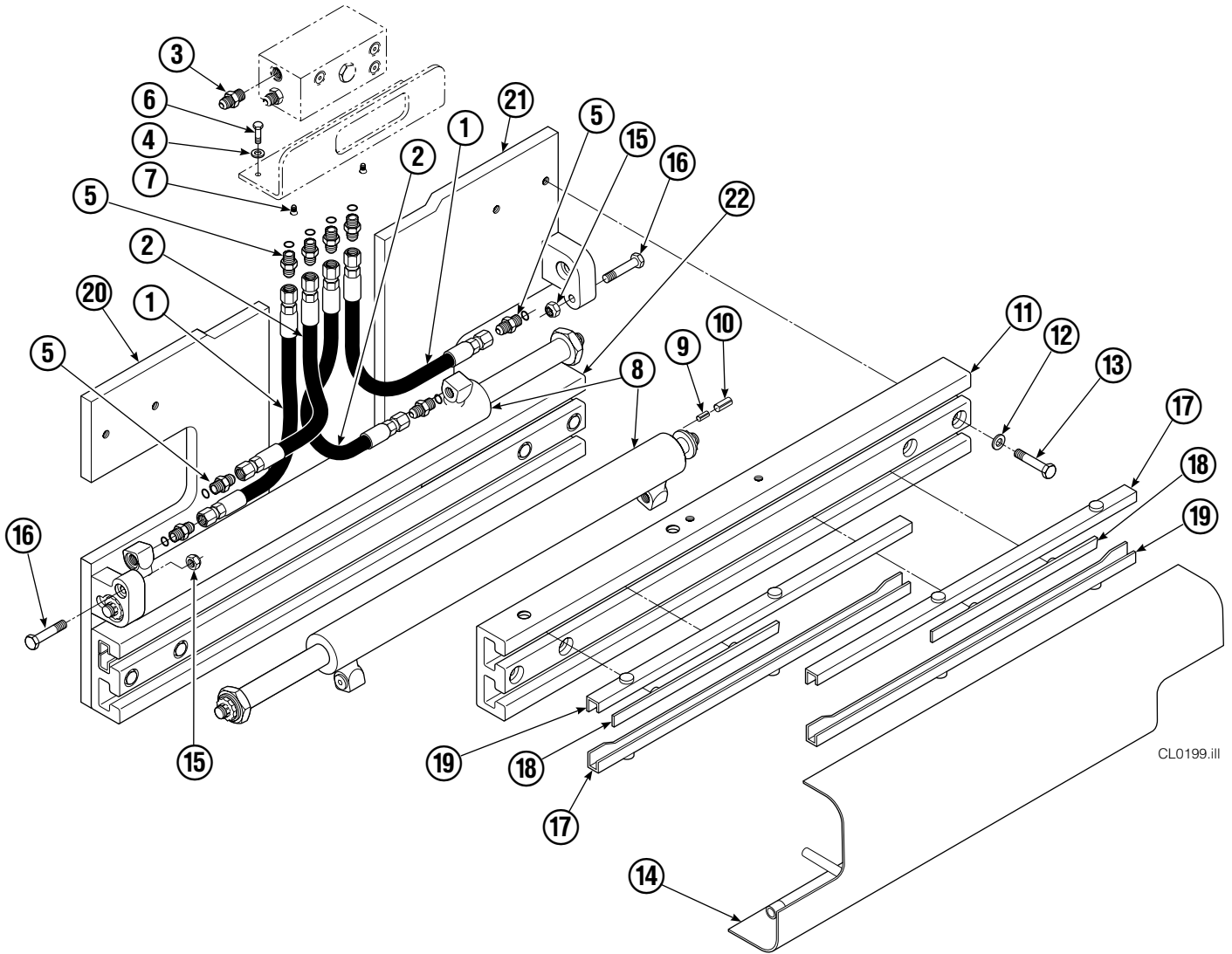


# Publications



40D	
PART NO.	DESCRIPTION
669224	Service Manual
672944	Operator's Guide
680664	Servicing Cascade Cylinders-VHS
679929	Tool Catalog
673964	Literature Index Order Form

# Base Unit Group



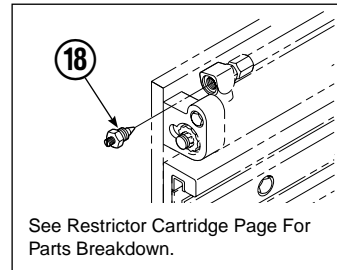
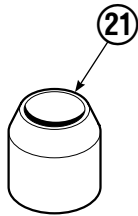
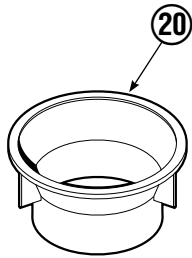
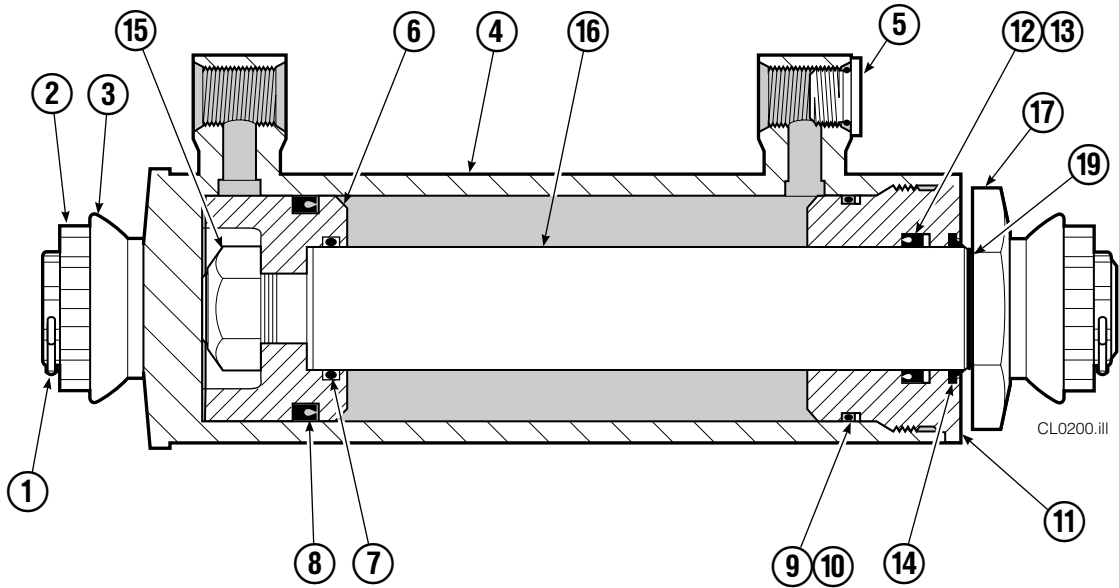
CL0199.ill

40D							
REF	QTY	PART NO.	DESCRIPTION	REF	QTY	PART NO.	DESCRIPTION
		681596	Base Unit Group – ITA II	12	8	667225	Washer
1	2	210436	Hose - 24.75 in.	13	8	667644	Capscrew
2	2	210449	Hose - 18.25 in.	14	1	678679	Bumper
3	1	601377	Fitting, 8-8	15	2	665707	Nut, 1/2 NC
4	2	6230	Washer	16	2	640699	Capscrew
5	8	611288	Fitting, 6-8	17	4	667661	Bearing
6	2	671222	Capscrew	18	4	667663	Bearing
7	2	4749	Capscrew	19	4	667662	Bearing
8	2	555435	Cylinder ▼	20	1	680626	Mounting Plate - RH ITA II
9	2	7882	Roll Pin - Inner	21	1	680625	Mounting Plate - LH ITA II
10	2	7961	Roll Pin - Outer	22	1	674167	Frame – Lower
11	1	667659	Frame				

▼ See Cylinder page for parts breakdown.

Reference: Common Parts Group 675282.

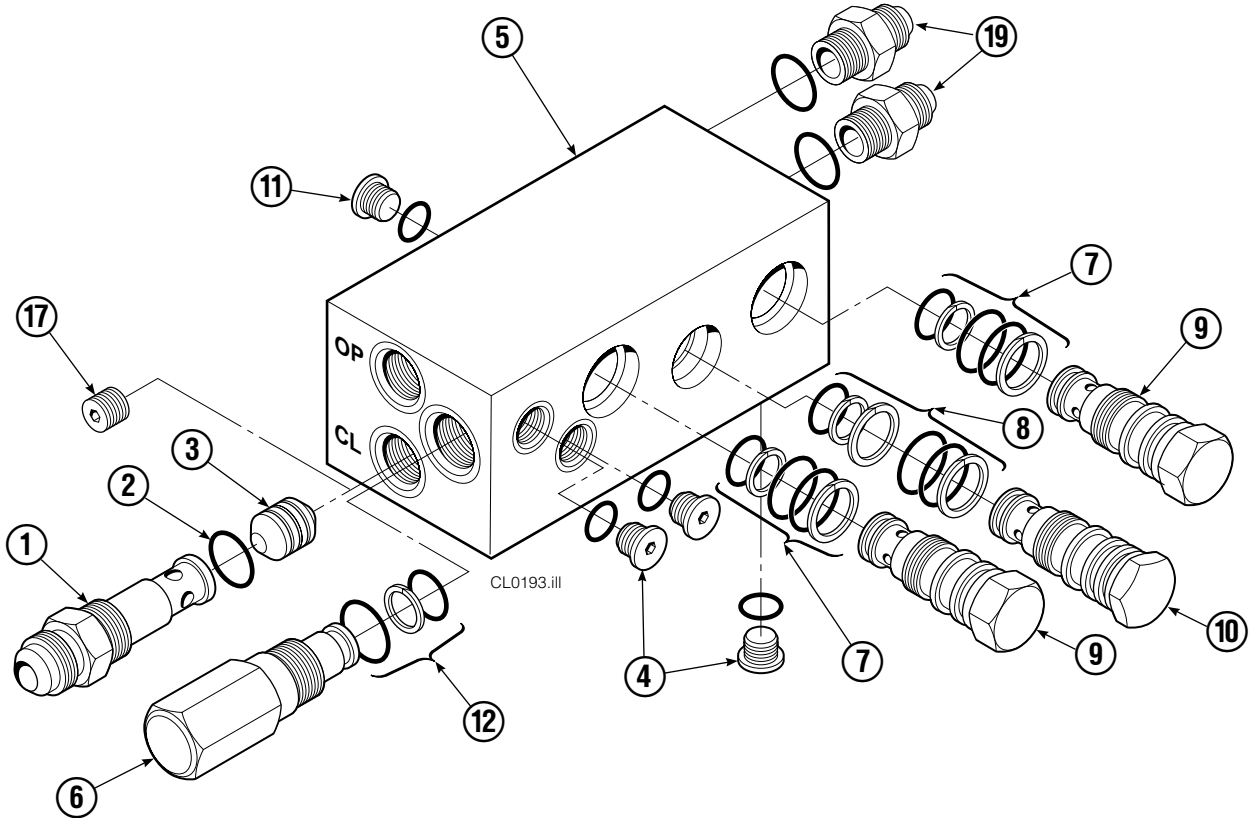
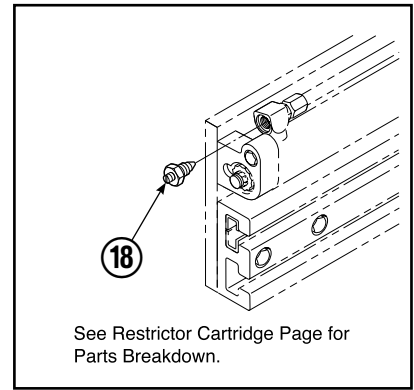
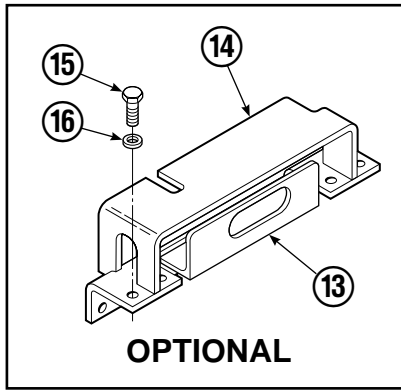
# Cylinder



<b>40D</b>			
REF	QTY	PART NO.	DESCRIPTION
		555435	Cylinder Assembly
1	2	6511	■ Cotter Pin
2	2	667667	■ Nut Retainer
3	2	667668	■ Nut
4	1	555436	Shell
5	1	602580	Fitting
6	1	558400	Piston
7	1	2716	▲ O-Ring
8	1	662454	▲ Seal
9	1	2787	▲ O-Ring
10	1	615130	▲ Back-Up Ring
11	1	667917	Retainer
12	1	662448	▲ Seal
13	1	638243	▲ Nylon Ring
14	1	636853	▲ Wiper
15	1	667623	Nut
16	1	555437	Rod
17	1	555439	Washer
18	1	667609	Restrictor Cartridge ●
19	1	555440	Retaining Ring
20	1	671048	▲ Seal Loader, Piston
21	1	671051	▲ Seal Loader, Retainer
		667995	Service Kit

- ▲ Included in Service Kit 667995.
  - Included in Nut Service Kit 668925.
  - Not included in Cylinder Assembly.
- Ref: S-6055, S-6056.

# Check Valve Sideshift



40D							
REF	QTY	PART NO.	DESCRIPTION	REF	QTY	PART NO.	DESCRIPTION
		676428	Valve Group - Sideshift	10	1	678270	Check Valve - V.P.O.
		667475	Check Valve - Sideshift ★	11	1	604510	Fitting, 6
1	1	667470	Special Fitting	12	1	667510	Seal Kit
2	1	2841	● O-Ring	13	1	669999	Bracket
3	1	667471	Spool	14	1	670000	Guard
4	3	609455	Fitting	15	4	670004	Capscrew, .5 NC x 1.25
5	1	667476	Valve Body	16	4	6232	Washer
6	1	667078	Relief Valve – 2000 PSI	17	1	676343	Regeneration Plug ■
7	2	667516	● Service Kit	18	2	667609	Restrictor Cartridge
8	1	661347	● Service Kit	19	2	604511	Fitting
9	2	659058	Check Valve - P.O.				

● Included in Service Kit 668868.

★ Contains items 1-12 only.

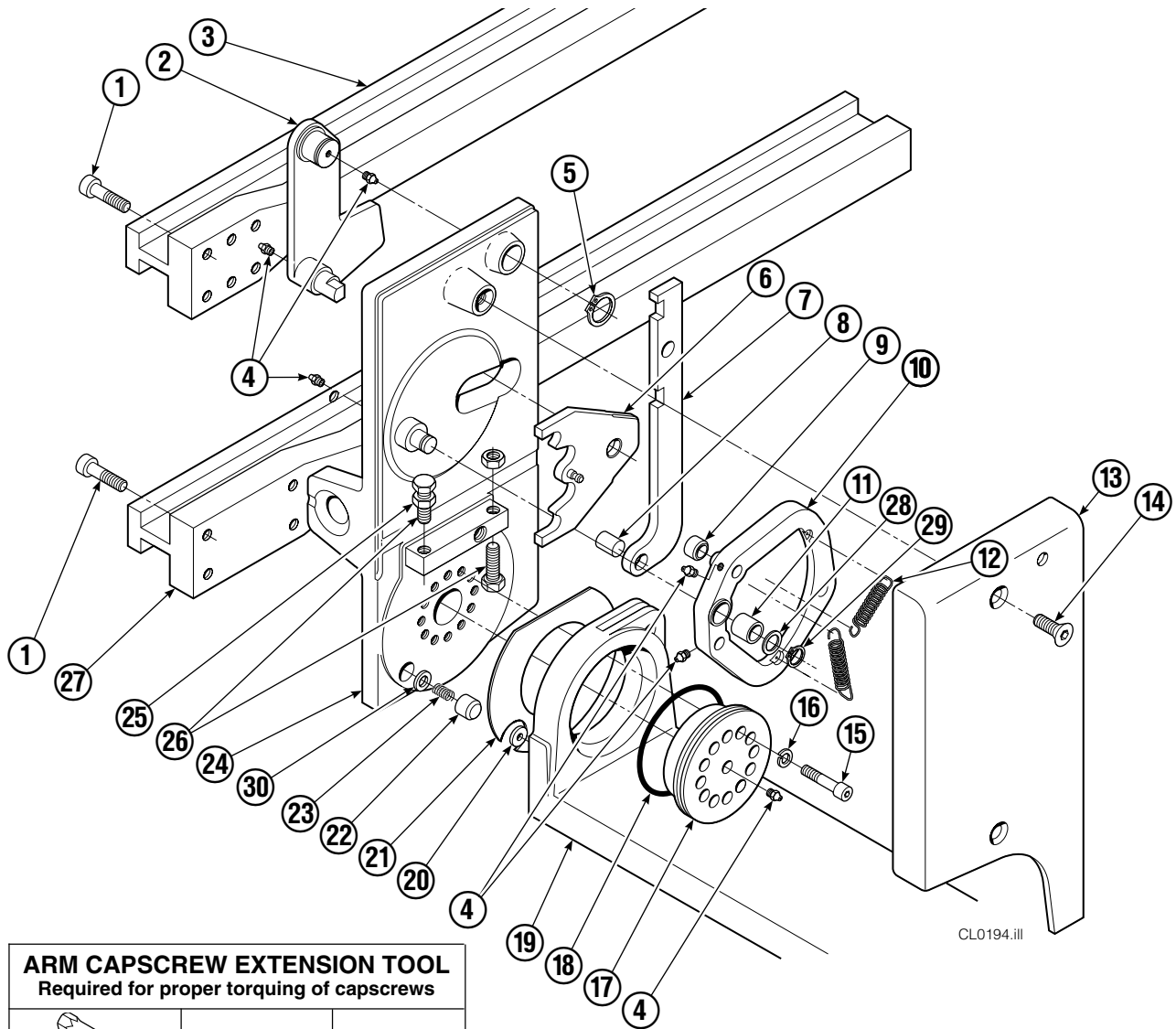
■ For eliminating regeneration circuit only.

# Restrictor Cartridge




REF	QTY	PART NO.	DESCRIPTION
		667609	Restrictor Cartridge
1	1	2701	O-Ring
2	1	667611	Plunger
3	1	2841	O-Ring
4	1	667610	Plug - Special
5	1	5716	Jam Nut

# Arm Group



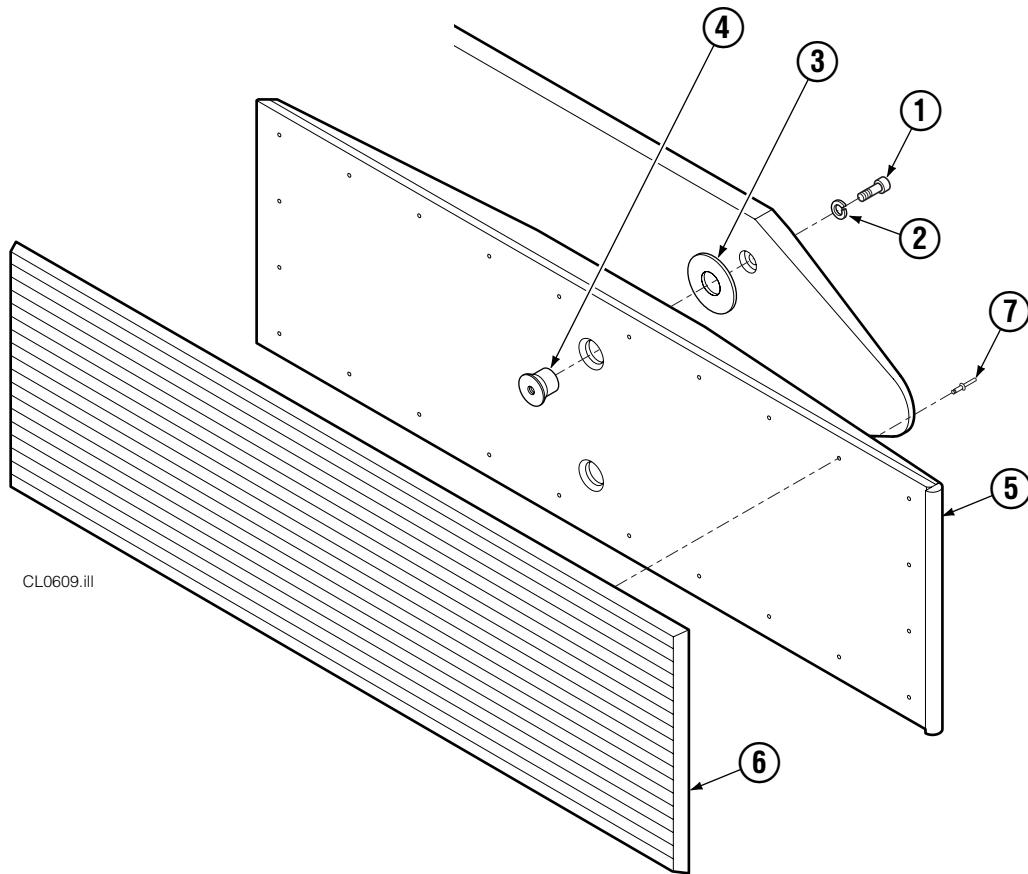
**ARM CAPSCREW EXTENSION TOOL**  
Required for proper torquing of capscrews

	40D	667699
---	-----	--------

## 40D

REF	QTY	PART NO.	DESCRIPTION	REF	QTY	PART NO.	DESCRIPTION
		672033	Arm Group – RH	15	12	4309	Capscrew, 1/2 NF x 2.25
		672032	Arm Group – LH	16	12	6374	Lockwasher
1	10	607105	Capscrew, 3/4 NC x 2.00 GR8	17	1	669205	Bearing
2	1	672041	Actuator – RH	18	1	2815	O-Ring
	1	672040	Actuator – LH	19	1	622674	Arm – RH
3	1	669197	Arm Bar – Upper		1	622675	Arm – LH
4	6	7401	Grease Fitting	20	1	621248	Bushing
5	1	7192	Snap Ring	21	1	602025	Wear Plate
6	1	600305	Selector	22	1	600318	Detent Pin
7	1	600315	Crank	23	1	600319	Detent Spring
8	1	600316	Pin		1	672037	Arm Carrier – RH
9	1	600313	Bushing	24	1	672034	Arm Carrier – LH
10	1	672043	Bell Crank Assembly	25	2	5721	Nut
11	1	600312	Bushing	26	2	3385	Capscrew, 3/4 NF x 1.75
12	2	672047	Spring	27	1	669200	Arm Bar – Lower
	1	672051	Cover – RH	28	1	672045	Washer
13	1	672050	Cover – LH	29	1	3128	Snap Ring
14	2	4780	Capscrew, 5/8 NC x 1.25 GR8	30	2	201816	Washer

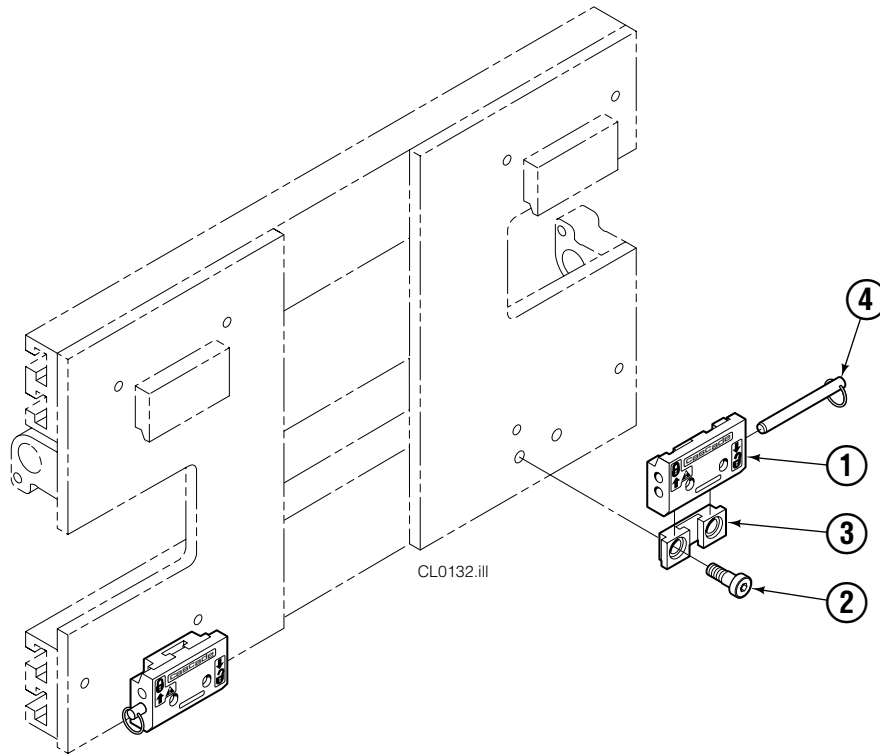
# Contact Pad Group



CL0609.iii

40D			
REF	QTY	PART NO.	DESCRIPTION
		669709	Contact Pad Group – 10 x 48 in.
1	4	4305	Capscrew, 1/2 NC x 1.25 GR8
2	4	6374	Lockwasher
3	4	15797	Pad
4	4	15809	Pin
5	1	669711	Contact Plate – R.H.
5	1	669710	Contact Plate – L.H.
6	2	669712	Contact Pad
7	44	667843	Rivet

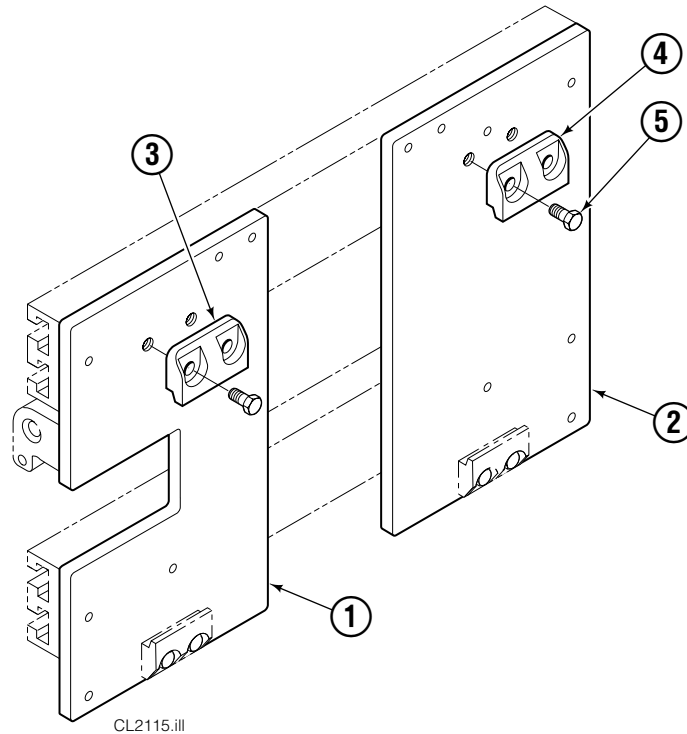
# Quick-Change Mounting Group



Class II			
REF	QTY	PART NO.	DESCRIPTION
		678833	Lower Hook Group
1	2	675514	Hook
2	4	678942	Capscrew, 5/8 NC x 1.25
3	2	675515	Guide
4	2	678832	Pin

Reference: S-3197.

# Mounting Plates with Bolt-On Upper Hooks



REF	QTY	PART NO.	DESCRIPTION
1	1	680625	Mounting Plate Assembly-LH ●
2	1	680626	Mounting Plate Assembly-RH ■
3	1	6002330	Upper Hook-LH
4	1	210491	Upper Hook-RH
5	4	768577	Capscrew, M20 x 35

● Includes items 3 and 5.

■ Includes items 4 and 5.



**Do you have questions you need answered right now?** Call your nearest Cascade Parts Department. Visit us online at [www.cascorp.com](http://www.cascorp.com)

**Cascade Corporation**  
2501 Sheridan Avenue  
Springfield, OH 45505  
Tel: 888-CASCADE (227-2233)  
FAX: 888-329-0234

**Cascade Canada Inc.**  
5570 Timberlea Blvd.  
Mississauga, Ontario  
Canada L4W-4M6  
Tel: 905-629-7777  
FAX: 905-629-7785

**Cascade GmbH**  
D-41199 Monchengladbach  
Klosterhofweg 52  
Germany  
Tel: 49-216-668230  
FAX: 49-216-6682323

**Cascade Finland**  
Albert Petreliuksenkatu 3  
01370 Vantaa  
Finland  
Tel: 358-9-836-1925  
FAX: 358-9-836-1935

**Cascade N.V.  
European Headquarters**  
P.O. Box 3009  
1300 El Almere  
Damsluisweg 56  
1332 ED Almere  
The Netherlands  
Tel: 31-36-5492911  
FAX: 31-36-5492964

**Cascade N.V.  
Benelux Sales and Service**  
P.O. Box 3009  
1300 El Almere  
Damsluisweg 56  
1332 ED Almere  
The Netherlands  
Tel: 31-36-5492950  
FAX: 31-36-5492974

**Cascade (UK) Ltd.**  
15, Orgreave Crescent  
Dore House Industrial Estate  
Handsworth  
Sheffield S13 9NQ  
England  
Tel: 742-697524  
FAX: 742-695121

**Cascade Scandinavia AB**  
Box 124  
Hammarvägen 10  
567 23 Vaggeryd  
Sweden  
Tel: 42-0-393-36950  
FAX: 46-0-393-36959

**Cascade Norway**  
Østerliveien 37A  
1153 Oslo  
Norway  
Tel: 47-22-743160  
FAX: 47-22-743157

**Cascade France S.A.R.L.**  
1D Rue De Charaintru  
BP 18, 91360 Epinay-Sur-Orge  
Morangis Cedex, France  
Tel: 33-1- 64547500  
FAX: 33-1-64547501

**Cascade Hispania S.A.**  
Carrer 5 Sector C  
Zona Franca Duanera  
Poligono de la Zon Franca  
08040 Barcelona, Spain  
Office No. 256  
Tel: 93-264-07-30  
FAX: 93-264-07-31

**Cascade Japan Ltd.**  
5-5-41,  
Torikai Kami  
Settsu, Osaka  
Japan, 566  
Tel: 81-726-53-3490  
FAX: 81-726-53-3497

**Cascade Korea**  
108B, Namdong Ind Complex  
658-3 Gojan-Dong  
Namdong-Gu  
Inchon, 405-310 Korea  
Tel: 82-32-821-2051  
FAX: 82-32-821-2055

**Cascade Australia**  
1445 Ipswich Road  
Rocklea, QLD 4106  
Australia  
Tel: 1-800227-223  
FAX: (07) 3373-7333

**Cascade New Zealand**  
15 Ra Ora Drive  
East Tamaki, Auckland  
New Zealand  
Tel: 9-273-9136  
FAX: 9-273-9137

**Cascade (Africa) Pty. Ltd.**  
P.O. Box 625, Isando 1600  
60A Steel Road  
Sparton, Kempton Park  
South Africa  
Tel: 27-11-975-9240  
FAX: 27-11-394-1147

**Cascade-Xiamen**  
No. 668 Yangguang Rd.  
Xinyang Industrial Zone  
Haicang, Xiamen City  
Fujian Province  
P.R. China 361026  
Tel: 86-592-651-2500  
FAX: 86-592-651-2571

**Cascade (Singapore)  
Trading Co.**  
Four Seasons Park  
Autumn Block - Apt. 1802  
12 Cuscaden Walk  
Singapore  
Tel: 65-834-1935  
FAX: 65-834-1936

