



Parts Manual

Model 60D Carton Clamp

Serial Number 60D-CCS-116

cascade[®]
corporation

For Technical Assistance call: 800-227-2233, Fax: 888-329-8207

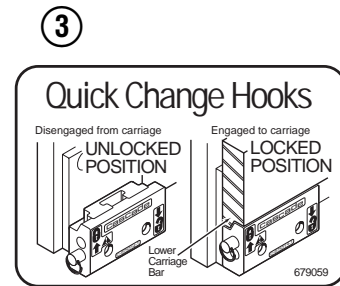
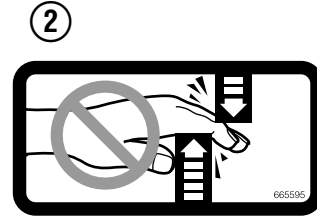
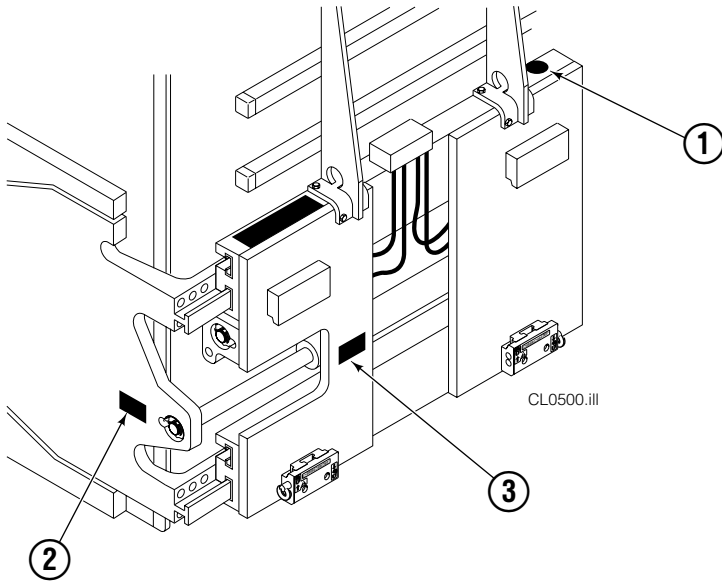
To Order Parts call: 888-227-2233, Fax: 888-329-0234

OR

Write: Cascade Corporation, P.O. Box 20187, Portland, OR 97220

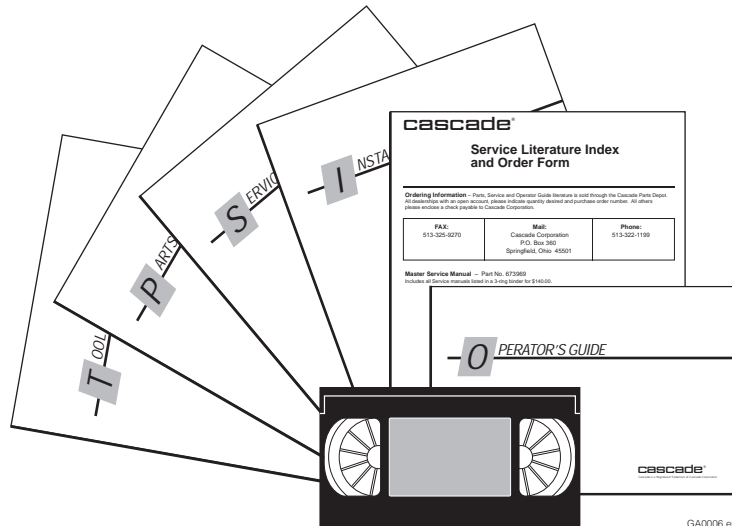
Internet: www.cascorp.com

Safety Decals



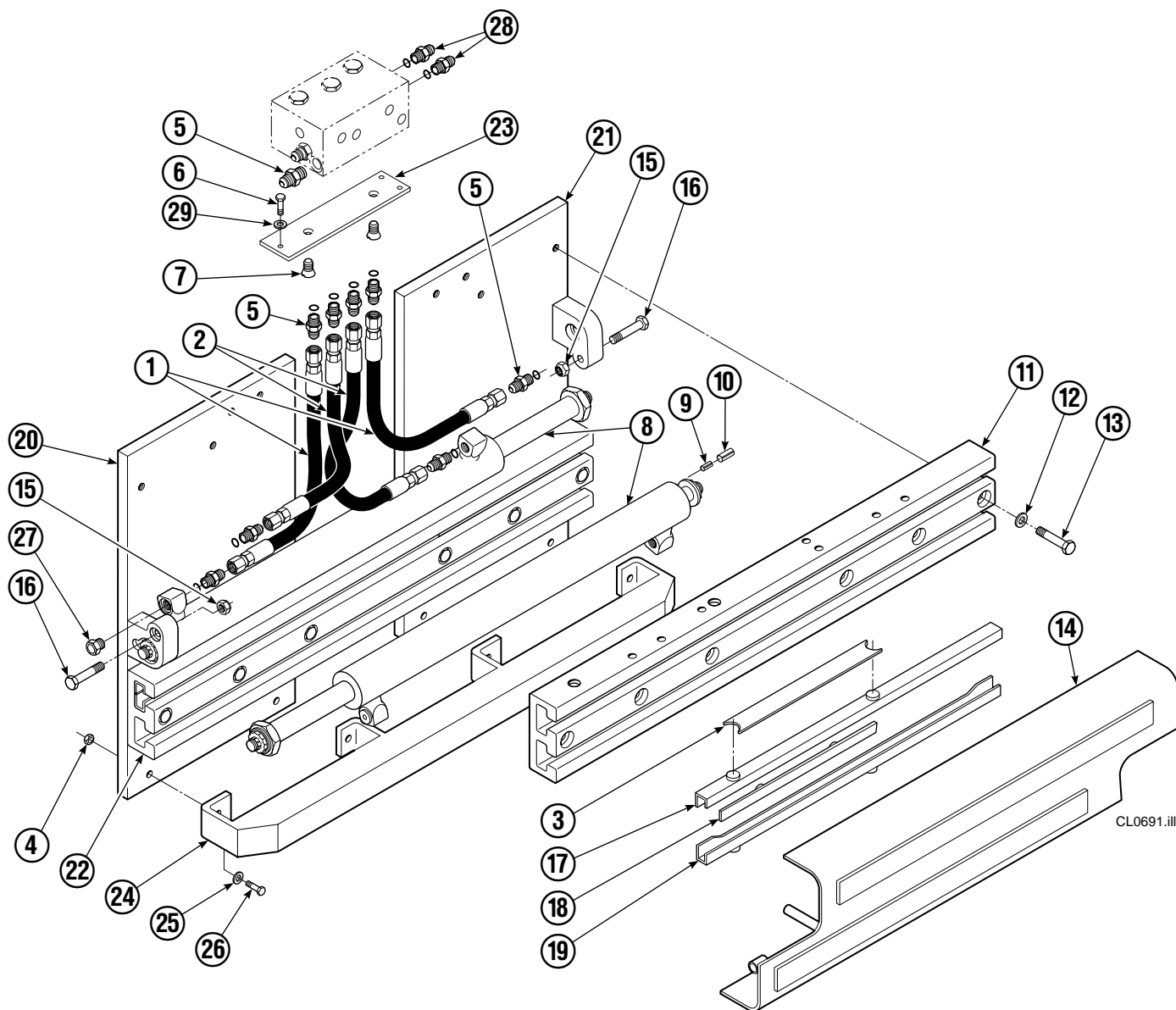
REF	QTY	PART NO.	DESCRIPTION
1	1	679150	No Step Decal
2	2	665595	No Hand Hold Decal
3	1	679059	Quick Change Hook Decal

Publications



PART NO.	DESCRIPTION
670487	Service Manual
670834	Operators Guide
670488	Installation Instructions
680664	Servicing Cascade Cylinders-VHS
679929	Tool Catalog
673964	Literature Index Order Form

Base Unit Group



CL0691.iii

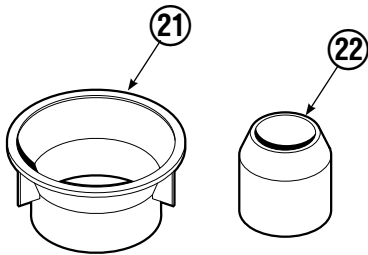
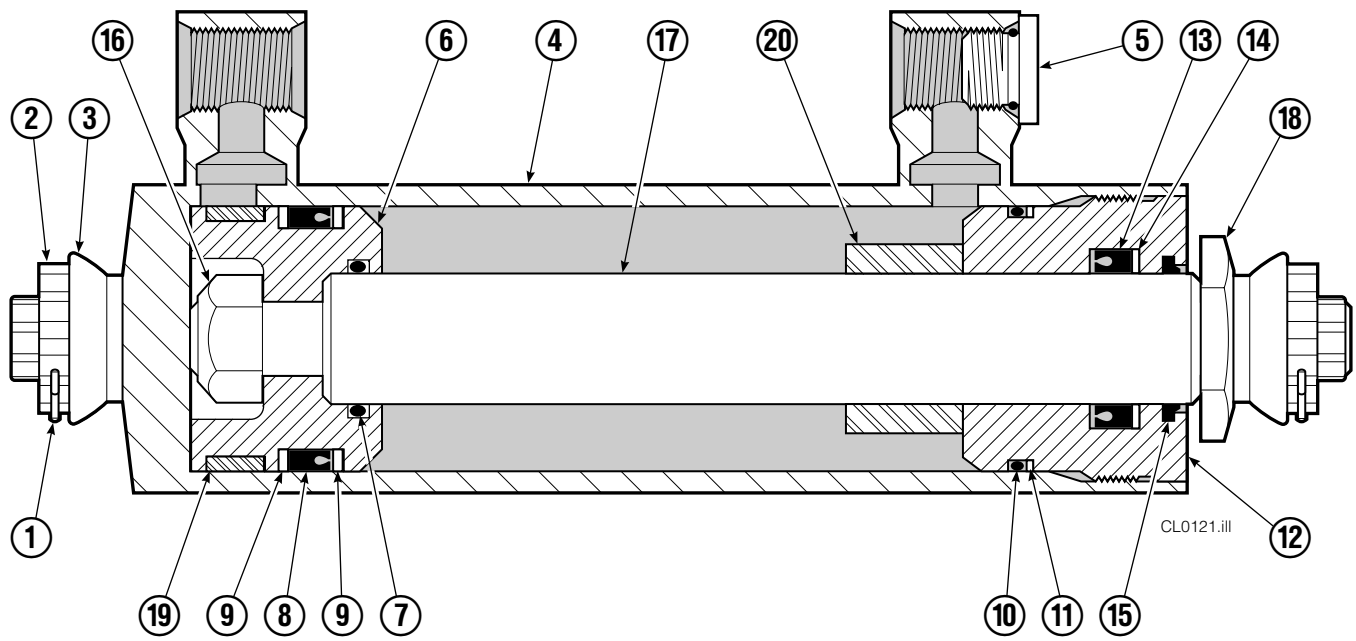
60D							
REF	QTY	PART NO.	DESCRIPTION	REF	QTY	PART NO.	DESCRIPTION
1	2	207425	Hose, 24.00 in.	16	2	633523	Capscrew, 1/2 NC x 2.50
2	2	688696	Hose, 17.50 in.	17	4	667662	Bearing
3	1	675326	Shim Kit ●	18	4	667663	Bearing
4	4	665707	Nut	19	4	667661	Bearing
5	1	601377	Fitting, 8-8	20	1	678939	Mounting Plate - RH
6	3	3602	Capscrew	21	1	678938	Mounting Plate - LH
7	2	4750	Capscrew, 3/8 NC x .75	22	1	674167	Frame - Lower
8	2	670289	Cylinder ▲	23	1	669957	Plate
9	2	7861	Roll Pin - Inner	24	1	670078	Lower Bumper
10	2	7962	Roll Pin - Outer	25	4	6205	Washer, 1/2 in. ID
11	1	340356	Frame - Upper	26	4	640013	Capscrew, 1/2 NC x 1.75
12	8	667225	Washer	27	2	602580	Fitting, 8
13	8	667644	Capscrew	28	10	611288	Fitting, 6-8
14	1	670084	Bumper	29	3	6288	Washer
15	2	665707	Nut, 1/2 in. ID				

● Includes two .015 Shims and eight .020 Shims.

Reference: Basic Group 363779, S-3198.

▲ See Cylinder page for parts breakdown.

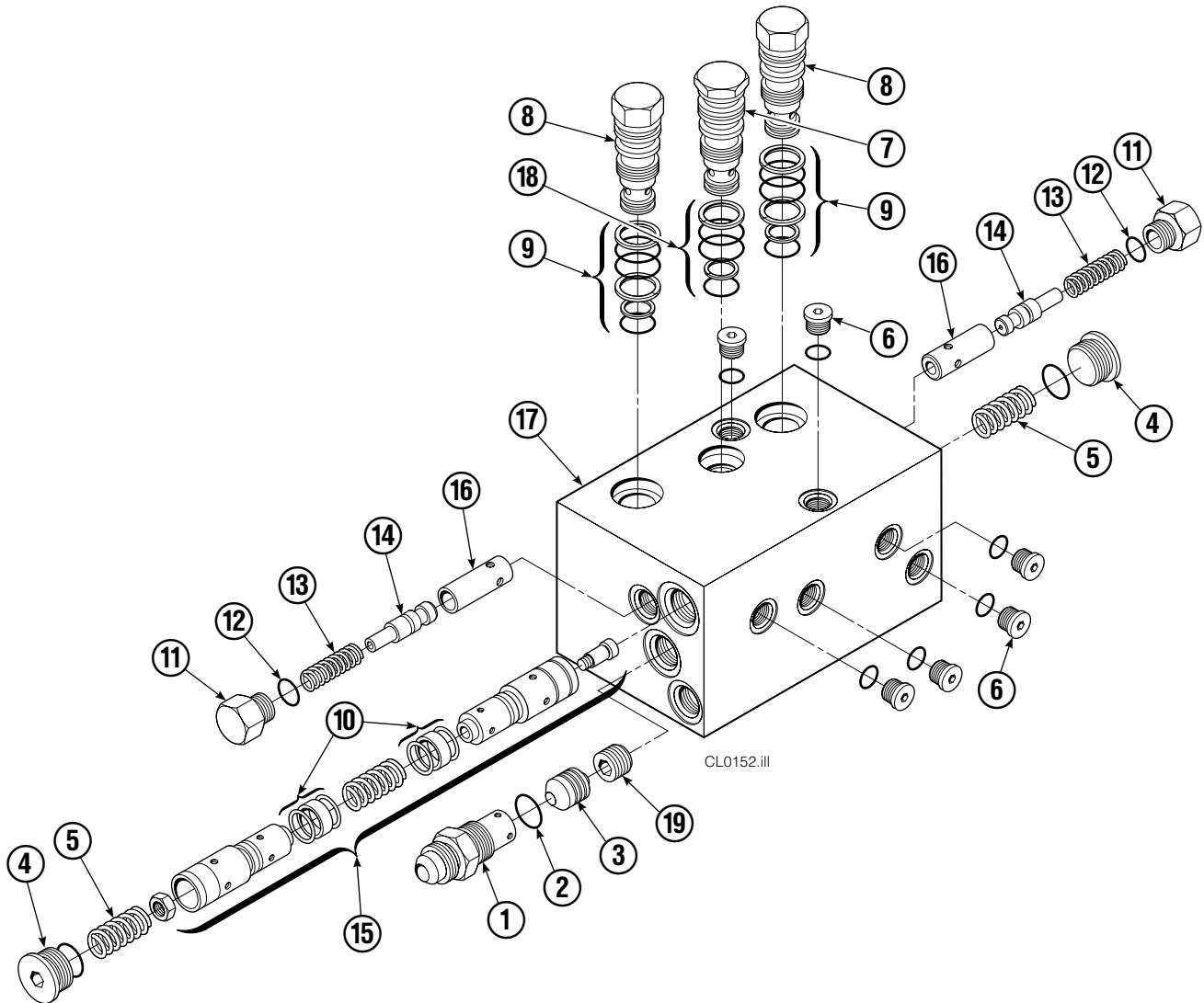
Cylinder



60D			
REF	QTY	PART NO.	DESCRIPTION
		670289	Cylinder Assembly
1	2	6511	Cotter Pin ■
2	2	667667	Nut Retainer ■
3	2	671424	Nut ■
4	1	553761	Shell
5	1	602580	Fitting
6	1	670894	Piston
7	1	2722	O-Ring ▲
8	1	557479	Seal ▲
9	2	637565	Nylon Ring ▲
10	1	2793	O-Ring ▲
11	1	615136	Back-Up Ring ▲
12	1	670895	Retainer
13	1	662451	Seal ▲
14	1	638246	Nylon Ring ▲
15	1	628047	Wiper ▲
16	1	561012	Nut
17	1	667670	Rod
18	1	667676	Washer
19	1	660765	Bearing
20	1	—	Spacer
21	1	671050	Seal Loader, Piston ▲
22	1	671052	Seal Loader, Retainer ▲
		670922	Service Kit

▲ Included in Service Kit 670922.
 ■ Included in Nut Service Kit 671425.
 Reference: S-7662.

Check Valve



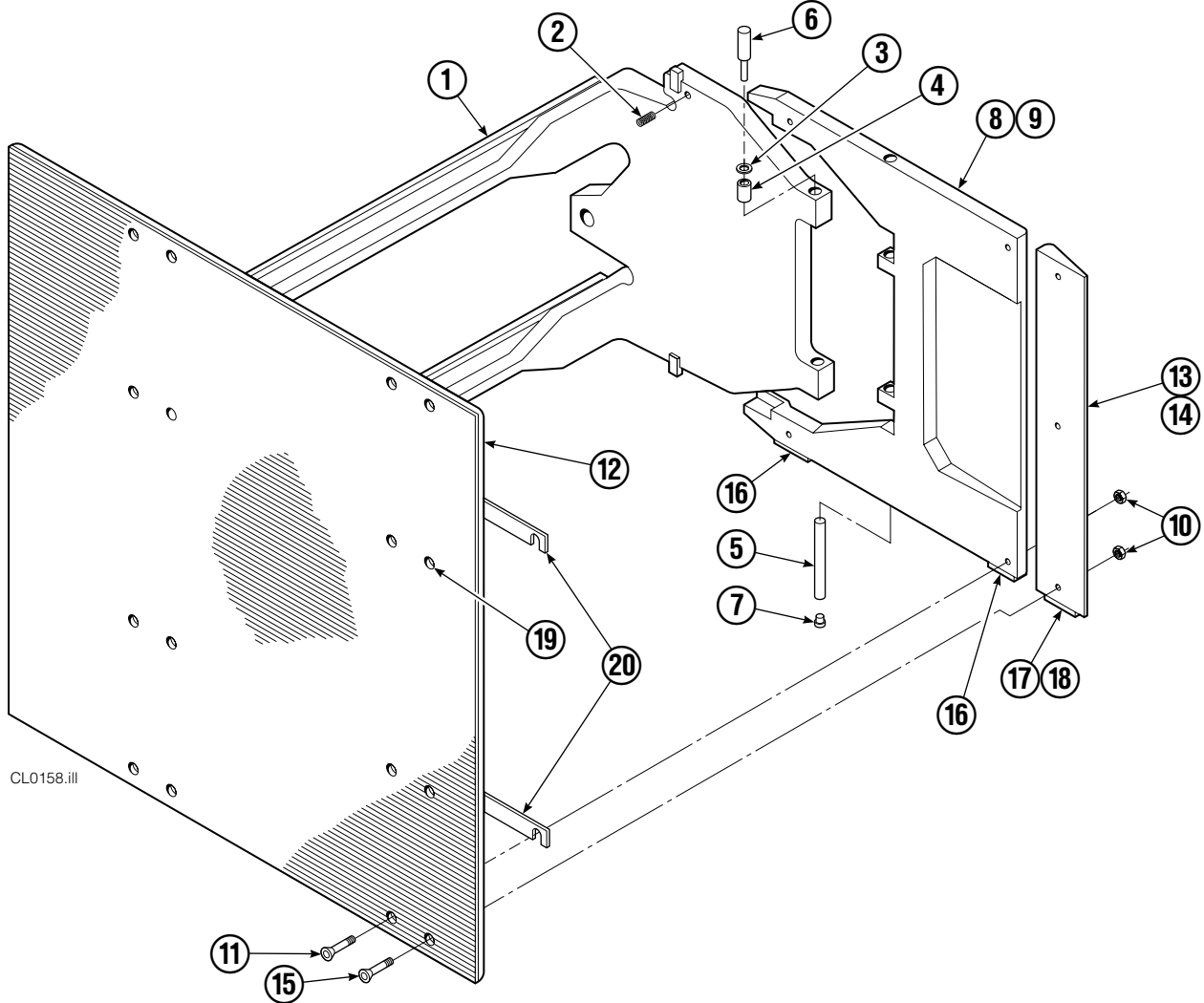
REF	QTY	PART NO.	DESCRIPTION	REF	QTY	PART NO.	DESCRIPTION
		669762	Check Valve – Flow Divider	11	2	667494	Fitting
1	1	667490	Special Fitting	12	2	2840	O-Ring ●
2	1	2841	O-Ring ●	13	2	673098	Spring
3	1	667471	Spool	14	2	667492	Poppet
4	2	609453	Fitting, 10	15	1	673089	Spool Assembly
5	2	667487	Spring	16	2	667491	Sleeve
6	6	604510	Fitting, 6	17	1	669763	Valve Body
7	1	678270	Check Valve – VPO	18	1	661347	Service Kit ●
8	2	659058	Check Valve – PO	19	1	676343	Regeneration Elimination Plug ■
9	2	667516	Service Kit ●			667513	Service Kit
10	1	679846	Low Flow Spool Kit				

● Included in Service Kit 667513.

■ For eliminating regeneration circuit only. See Tech. Bulletin 121.

Reference: SK-5302.

Contact Pad and Arm



CL0158.ill

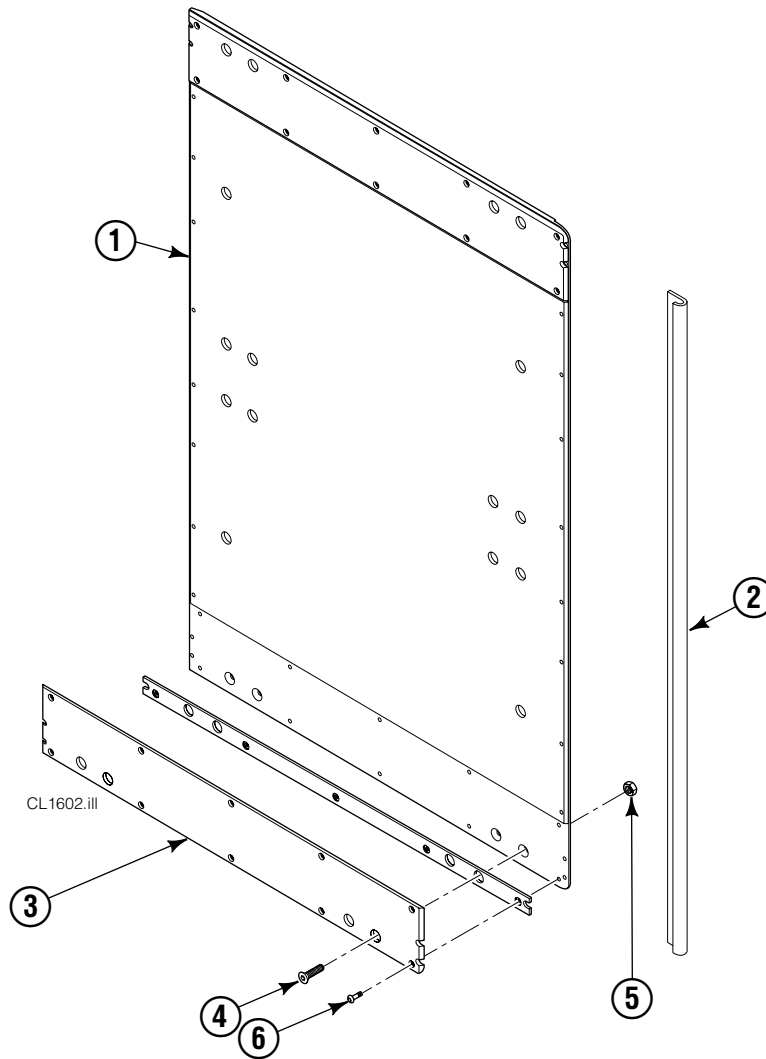
60D			
REF	QTY	48 x 60 PART NO.	DESCRIPTION
1	2	677277	Arm
2	2	661212	Spring
3	■	629312	Washer
4	4	677208	Bushing
5	4	677206	Pin
6	1	675626	Bushing Driver Tool
7	4	602579	Plug
8	1	363778	Stabilizer - R.H.
9	1	363777	Stabilizer - L.H.
10	14	550218	Nut
11	6	4674	Capscrew, .5 x 1.75 GR8
12	2	364985	Contact Pad
13	1	677146	Tip - L.H.
14	1	677145	Tip - R.H.
15	6	4672	Capscrew
16	22	675614	Stabilizer Wear Tile
17	2	208860	Tip Wear Tile - L.H.
18	2	208860	Tip Wear Tile - R.H.
19	▲	676841	Contact Pad Repair Kit
20	■	677094	Shim

■ As required for proper adjustment.

▲ Repairs one hole.

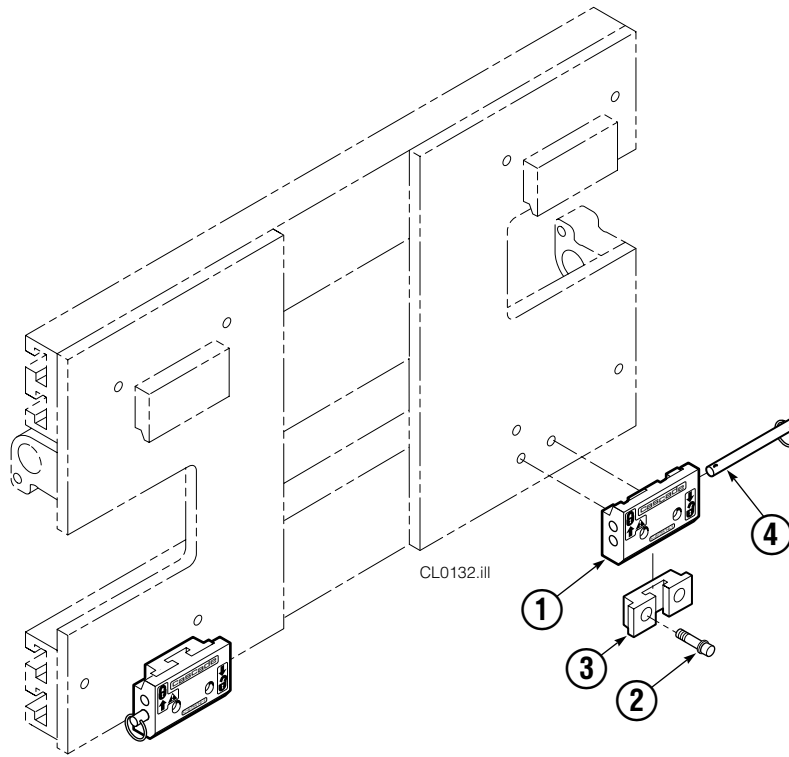
Reference: Basic Group 363779, S-3198

Contact Pad Group



60D			
REF	QTY	48 x 60 PART NO.	DESCRIPTION
		3000373	Contact Pad Group
1	2	364985	Contact Pad
2	4	364355	Edge Guard
3	4	3000368	Wear Strip
4	48	4731	Capscrew
5	48	6097	Nut
6	40	4871	Capscrew
7	4	3000369	Wear Strip

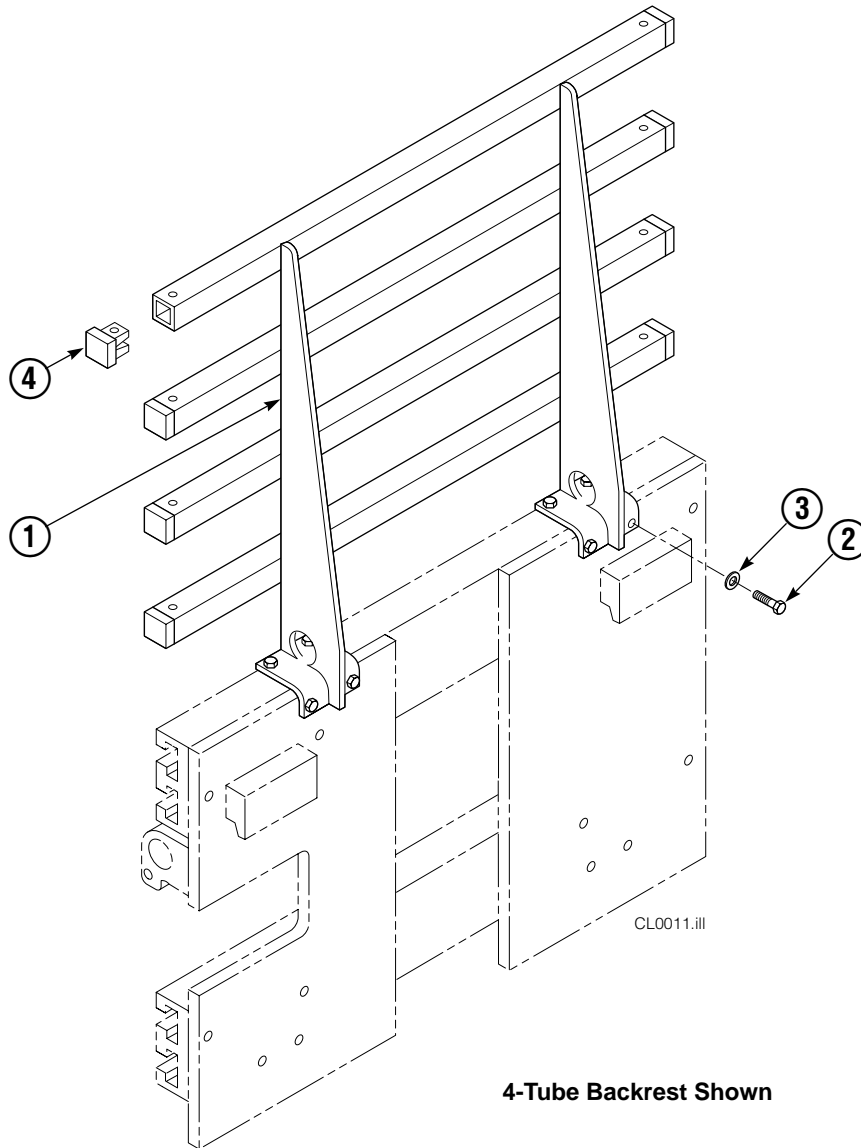
Quick Change Mounting Group



Class III			
REF	QTY	PART NO.	DESCRIPTION
		678834	Lower Hook Group
1	2	675957	Hook
2	4	678943	Capscrew, 5/8 NC x 1.50
3	2	675958	Guide
4	2	678832	Pin

Reference: S-3197.

Backrest Group



REF	QTY	PART NO.	DESCRIPTION
		3000372	Backrest Group
1	1	3000370	Backrest
2	12	674452	Capscrew
3	12	6290	Washer
4	—	674356	Tube End

Do you have questions you need answered right now? Call your nearest Cascade Parts Department. Visit us online at www.cascorp.com

Cascade Corporation
2501 Sheridan Avenue
Springfield, OH 45505
Tel: 888-CASCADE (227-2233)
FAX: 888-329-0234

Cascade Canada Inc.
5570 Timberlea Blvd.
Mississauga, Ontario
Canada L4W-4M6
Tel: 905-629-7777
FAX: 905-629-7785

Cascade GmbH
D-41199 Monchengladbach
Klosterhofweg 52
Germany
Tel: 49-216-668230
FAX: 49-216-6682323

Cascade Finland
Albert Petreliuksenkatu 3
01370 Vantaa
Finland
Tel: 358-9-836-1925
FAX: 358-9-836-1935

**Cascade N.V.
European Headquarters**
P.O. Box 3009
1300 El Almere
Damsluisweg 56
1332 ED Almere
The Netherlands
Tel: 31-36-5492911
FAX: 31-36-5492964

**Cascade N.V.
Benelux Sales and Service**
P.O. Box 3009
1300 El Almere
Damsluisweg 56
1332 ED Almere
The Netherlands
Tel: 31-36-5492950
FAX: 31-36-5492974

Cascade (UK) Ltd.
15, Orgreave Crescent
Dore House Industrial Estate
Handsworth
Sheffield S13 9NQ
England
Tel: 742-697524
FAX: 742-695121

Cascade Scandinavia AB
Box 124
Hammarvägen 10
567 23 Vaggeryd
Sweden
Tel: 42-0-393-36950
FAX: 46-0-393-36959

Cascade Norway
Østerliveien 37A
1153 Oslo
Norway
Tel: 47-22-743160
FAX: 47-22-743157

Cascade France S.A.R.L.
1D Rue De Charaintru
BP 18, 91360 Epinay-Sur-Orge
Morangis Cedex, France
Tel: 33-1- 64547500
FAX: 33-1-64547501

Cascade Hispania S.A.
Carrer 5 Sector C
Zona Franca Duanera
Poligono de la Zon Franca
08040 Barcelona, Spain
Office No. 256
Tel: 93-264-07-30
FAX: 93-264-07-31

Cascade Japan Ltd.
5-5-41,
Torikai Kami
Settsu, Osaka
Japan, 566
Tel: 81-726-53-3490
FAX: 81-726-53-3497

Cascade Korea
108B, Namdong Ind Complex
658-3 Gojan-Dong
Namdong-Gu
Inchon, 405-310 Korea
Tel: 82-32-821-2051
FAX: 82-32-821-2055

Cascade Australia
1445 Ipswich Road
Rocklea, QLD 4106
Australia
Tel: 1-800227-223
FAX: (07) 3373-7333

Cascade New Zealand
15 Ra Ora Drive
East Tamaki, Auckland
New Zealand
Tel: 9-273-9136
FAX: 9-273-9137

Cascade (Africa) Pty. Ltd.
P.O. Box 625, Isando 1600
60A Steel Road
Sparton, Kempton Park
South Africa
Tel: 27-11-975-9240
FAX: 27-11-394-1147

Cascade-Xiamen
No. 668 Yangguang Rd.
Xinyang Industrial Zone
Haicang, Xiamen City
Fujian Province
P.R. China 361026
Tel: 86-592-651-2500
FAX: 86-592-651-2571

**Cascade (Singapore)
Trading Co.**
Four Seasons Park
Autumn Block - Apt. 1802
12 Cuscaden Walk
Singapore
Tel: 65-834-1935
FAX: 65-834-1936

