



Parts Manual

Model 45E Push Pull

Serial Number 45E-PXB-210

cascade[®]
corporation

For Technical Assistance call: 800-227-2233, Fax: 888-329-8207

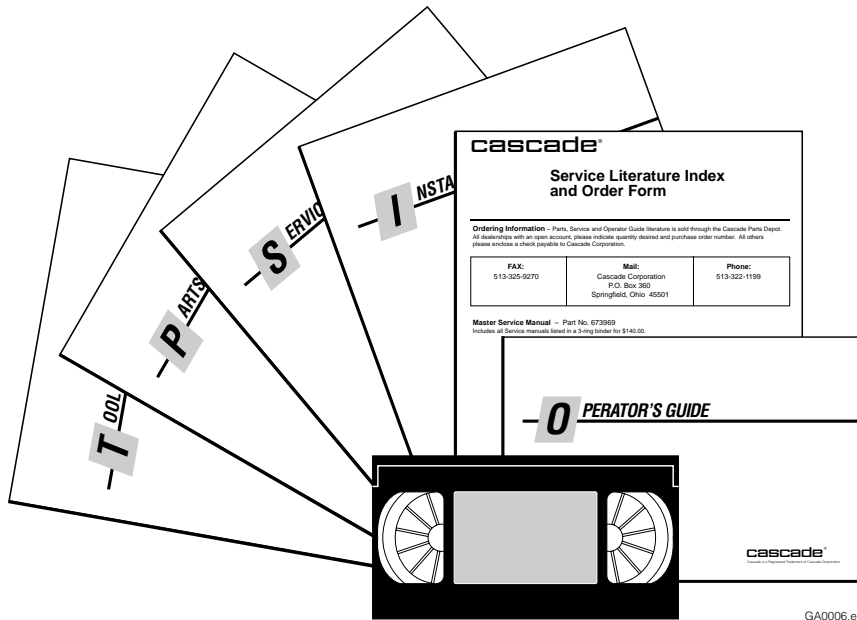
To Order Parts call: 888-227-2233, Fax: 888-329-0234

OR

Write: Cascade Corporation, P.O. Box 20187, Portland, OR 97220

Internet: www.cascorp.com

Publications



GA0006.eps

PART NO.	DESCRIPTION
	Parts Manual
686455	Service Manual
684945	Operators Guide
685531	Operators Pocket Guide
684944	Installation Instructions
680664	Servicing Cascade Cylinders-VHS
679929	Tool Catalog
673964	Literature Index Order Form

Decals



Optional Faceplate Extension



Part No. 679150
(1 Place & 1 optional)



Part No. 665595
(2 Place & 2 optional)



Part No. 656038
(6 Places)

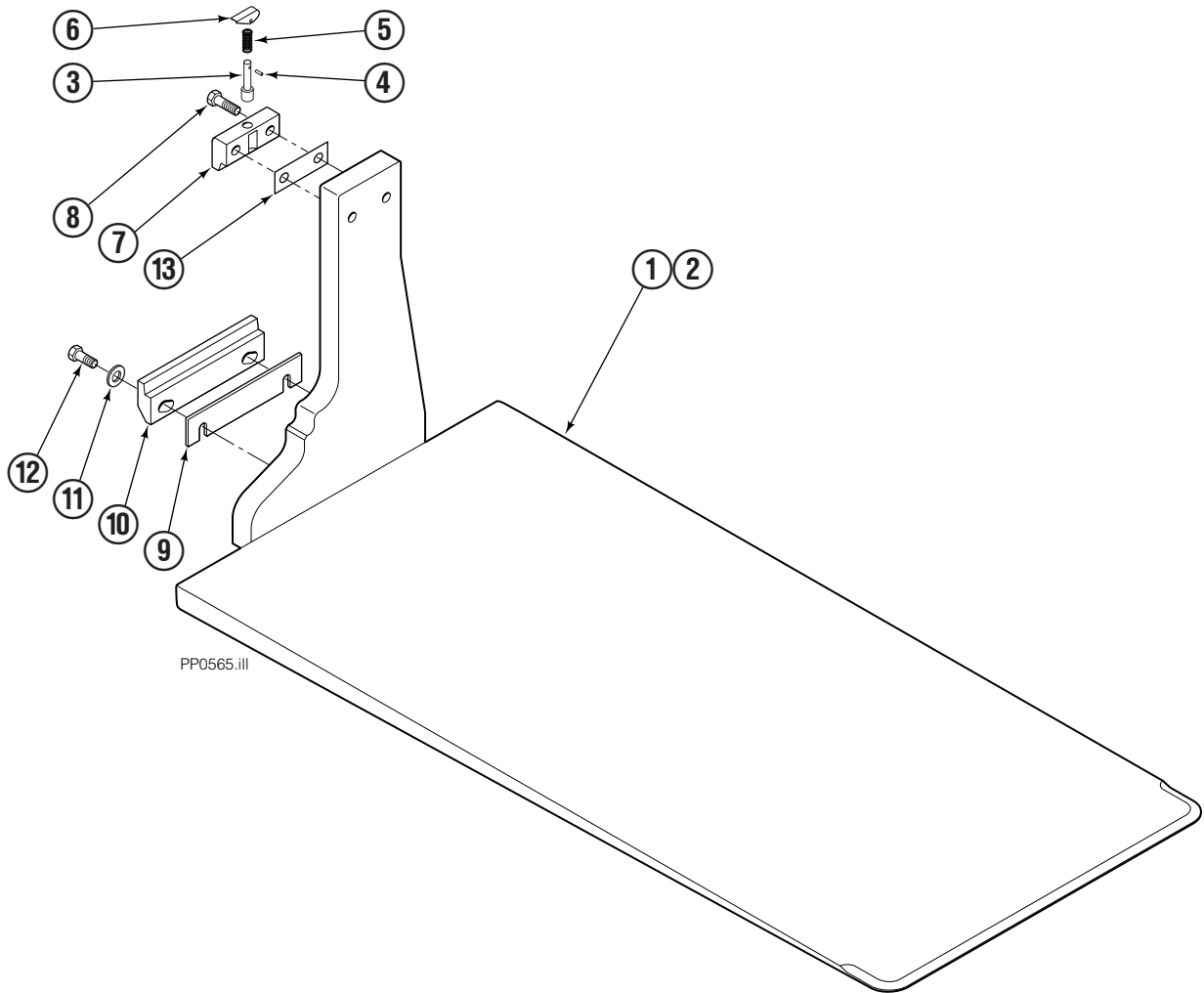


Part No. 679059
(1 Place if equipped with Quick Change Hooks)



PP0060.iii

Platen Group



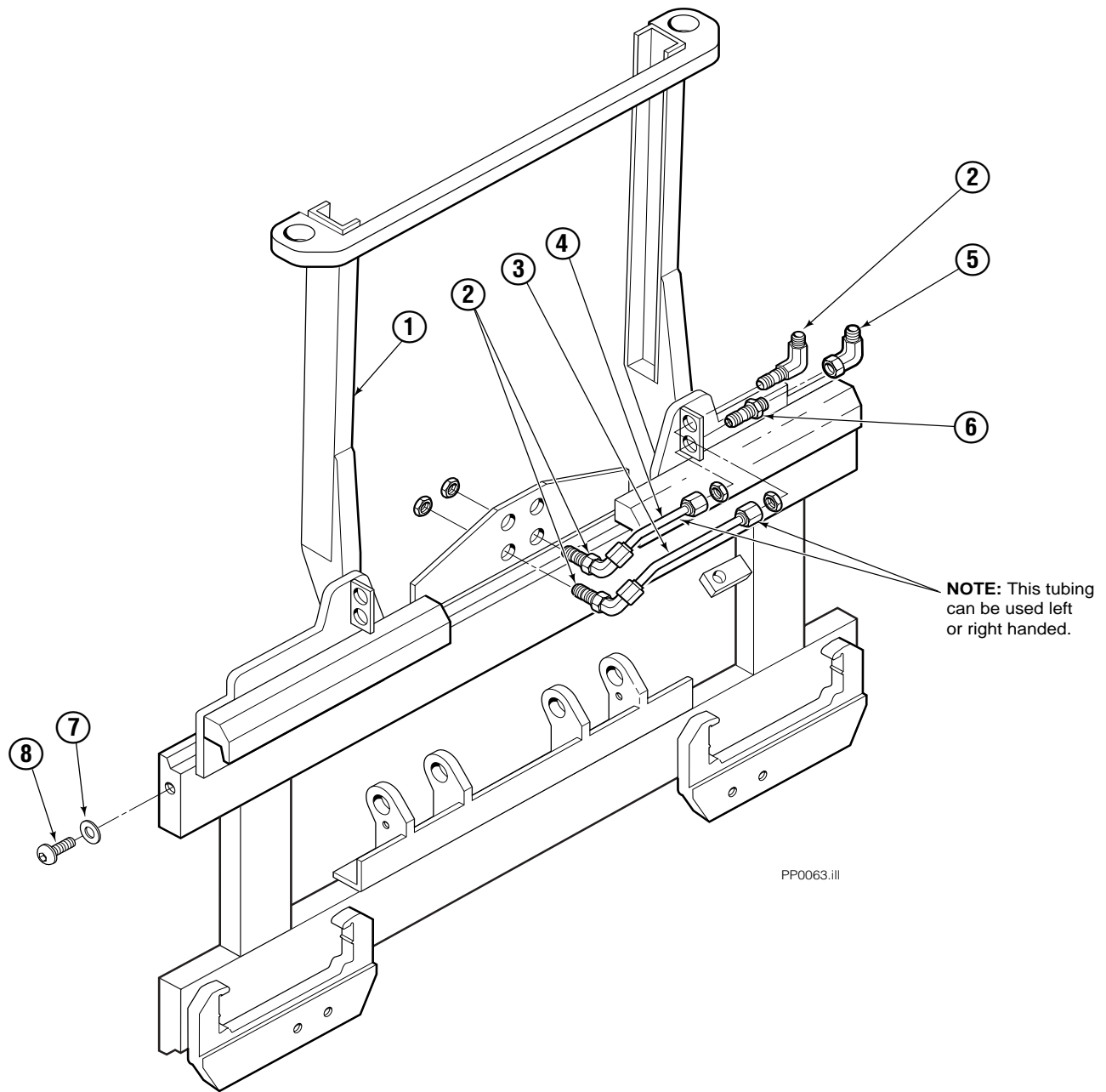
PP0565.ill

45E			
REF	QTY	PART NO.	DESCRIPTION
		390161	Platen Group
1	1	390163	Platen - LH
2	1	390162	Platen - RH
3	2	622907	◆ Pin
4	2	8007	◆ Rivet
5	2	622908	◆ Spring
6	2	622897	◆ Handle
7	2	685533	◆ Upper Hook
8	4	685534	Capscrew, M16 x 50
9	●	682858	Shim (.30)
10	2	682851	Lower Hook
11	4	667225	Washer, .625
12	4	209016	Capscrew, M16 x 35
13	●	688379	Shim (.60)

◆ Included in Upper Hook Assembly 688386.

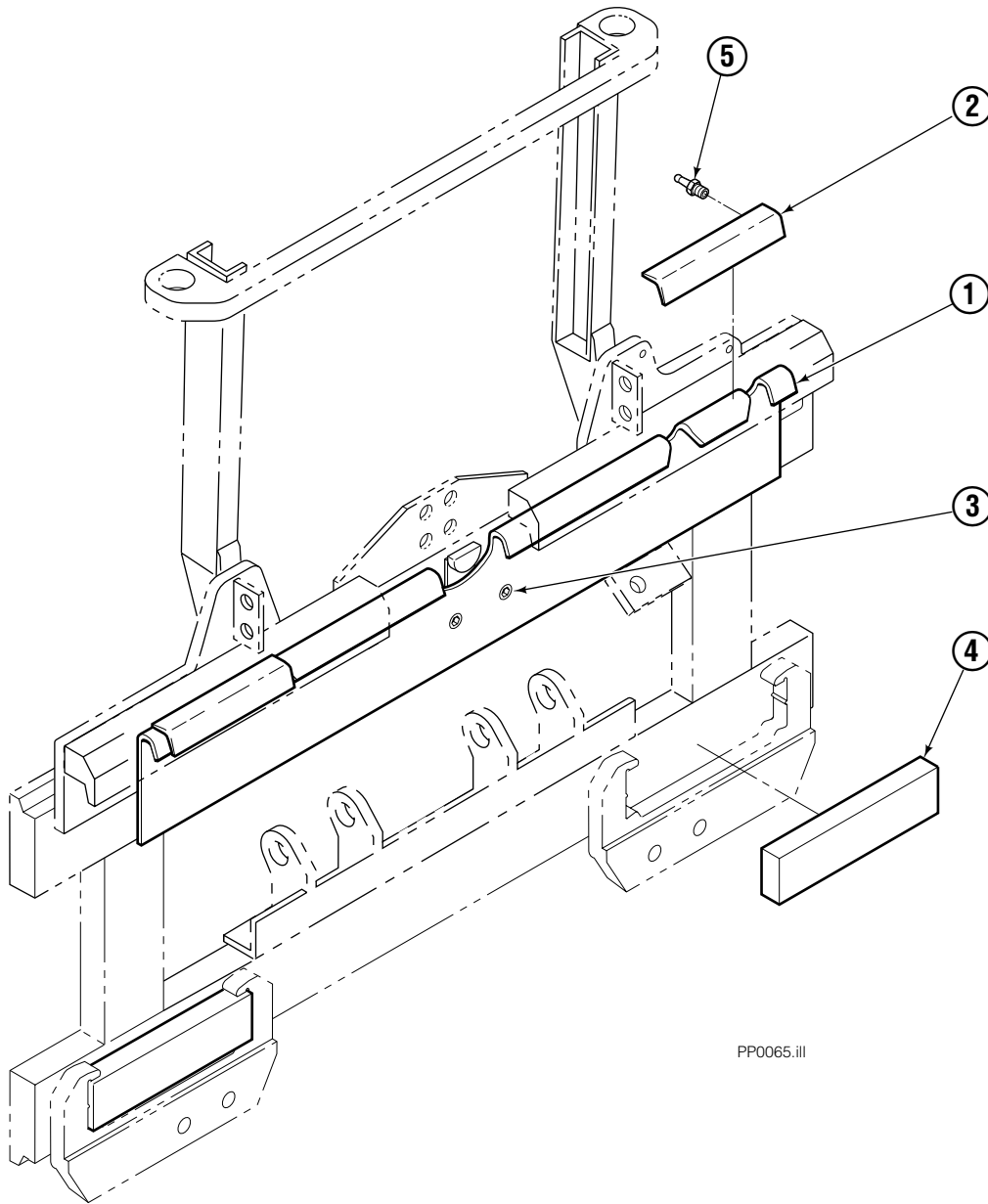
● As required.

Frame Group ITA II



35E/45E			
REF	QTY	PART NO.	DESCRIPTION
		204406	Frame Group
1	1	204335	Frame
2	3	2453	Fitting, 6-6
3	1	686509	Tube
4	1	686510	Tube
5	1	2680	Fitting, 6-6
6	1	2375	Fitting, 6-6
7	2	683001	Washer
8	2	683142	Capscrew

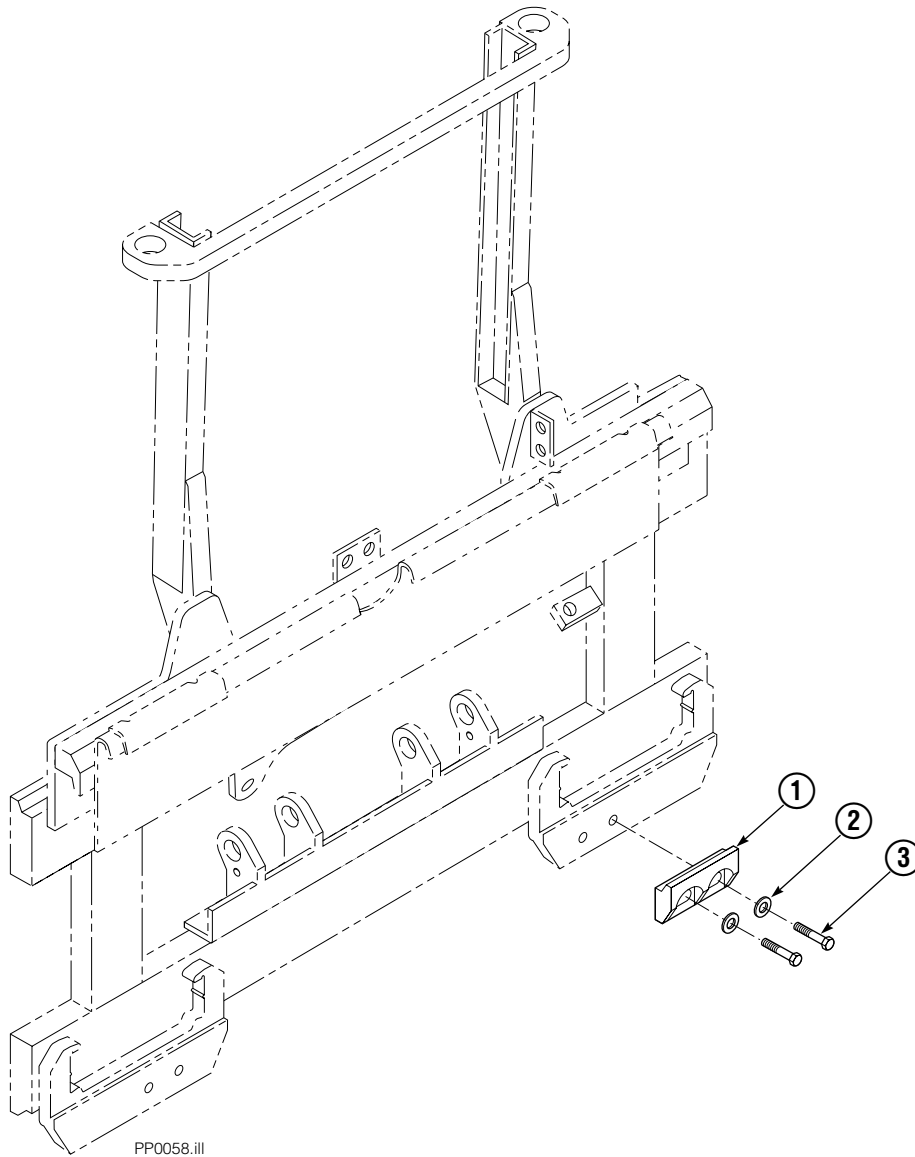
Non S/S Mounting Group ITA II



PP0065.III

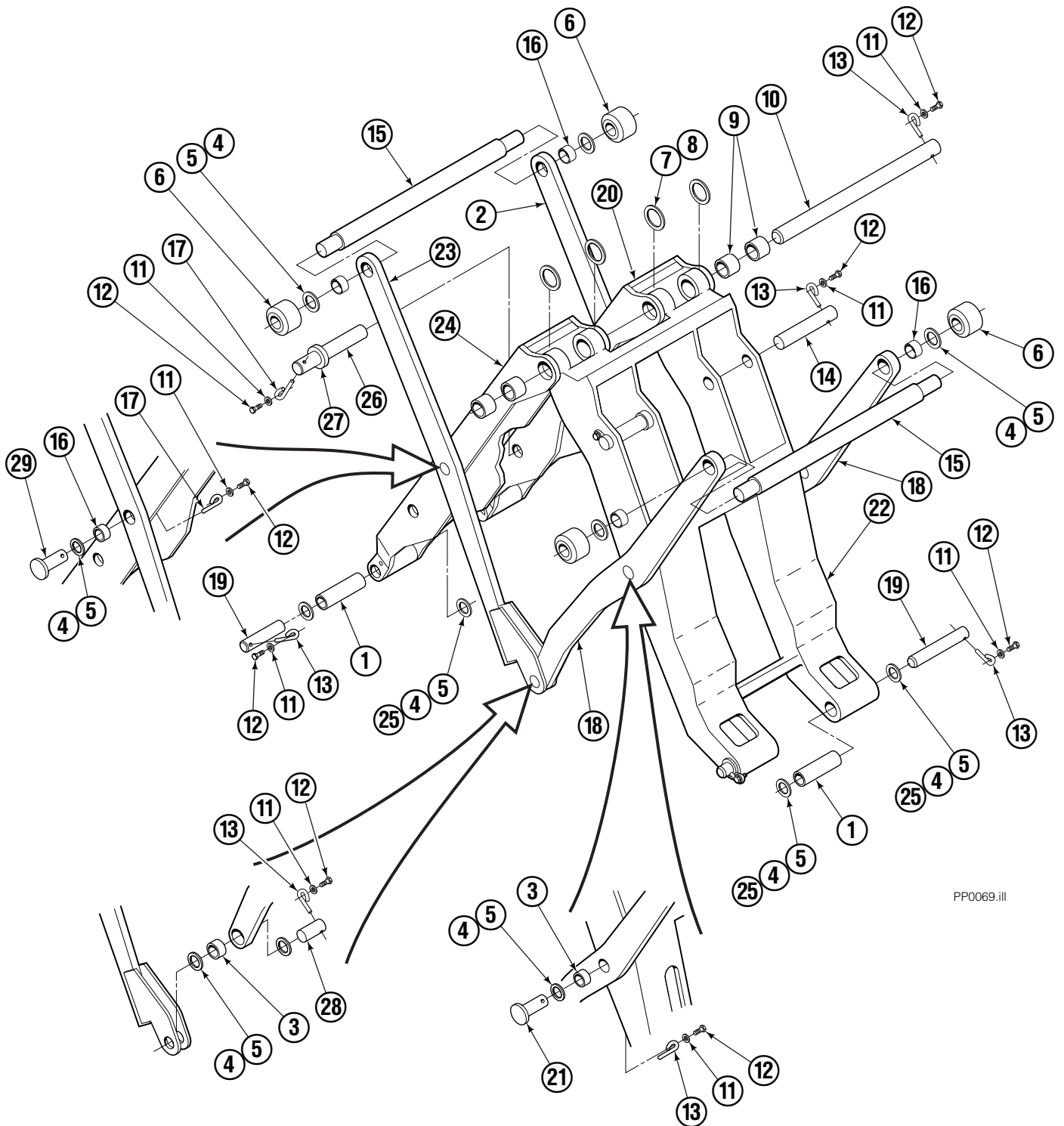
35E/45E			
REF	QTY	PART NO.	DESCRIPTION
		682832	Mounting Group-39" Wide
1	1	682550	Anchor Bracket-39" Wide
2	2	671165	Bearing Segment
3	2	768759	Setscrew
4	2	682814	Bearing
5	4	7403	Grease Fitting

Bolt-On Lower Hook Group ITA II



REF	QTY	PART NO.	DESCRIPTION
		683178	Lower Hook Group ITA II
1	2	679360	Hook
2	4	667225	Washer
3	4	779010	Capscrew

Mechanism Group



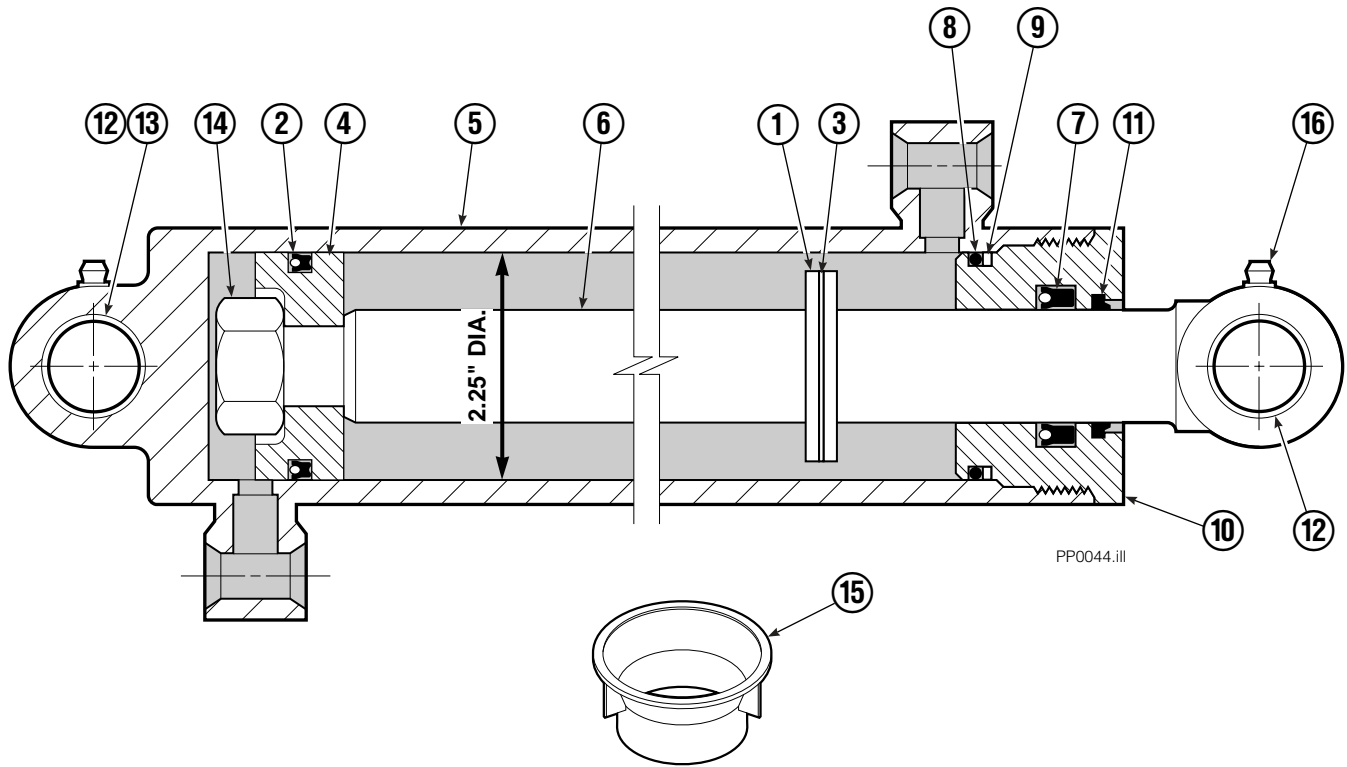
PP0069.iii

Mechanism Group

35E/45E			
REF	QTY	PART NO.	DESCRIPTION
		371459	Mechanism Group
1	4	204535	■ Bushing
2	1	204522	Arm-Secondary Outer R.H.
3	6	683154	■ Bushing
4	●	683161	Shim (.030)
5	●	683162	Shim (.060)
6	4	205070	Roller
7	●	683163	Shim (.030)
8	●	683164	Shim (.060)
9	4	683155	■ Bushing
10	1	682821	Pin
11	15	6229	Washer
12	15	685661	Capscrew
13	11	682999	Eye-Pin
14	2	682822	Pin-Head
15	2	205065	Pin
16	4	689202	■ Bushing
17	4	689954	Eye-Pin
18	2	204520	Arm-Outer Primary
19	4	204533	Pin-Frame
20	1	371463	Arm-Inner Secondary R.H.
21	2	204695	Pin-Primary Outer
22	1	371461	Arm-Inner Primary
23	1	204521	Arm-Secondary Outer L. H.
24	1	371462	Arm-Inner Secondary L. H.
25	●	204532	Shim
26	2	682823	Pin-Rod
27	2	683165	Spacer
28	2	204534	Pin-Outer
29	2	204600	Pin-Secondary Outer

- Quantity as required.
- Included in Service Kit 205076.

Cylinder



PP0044.iii

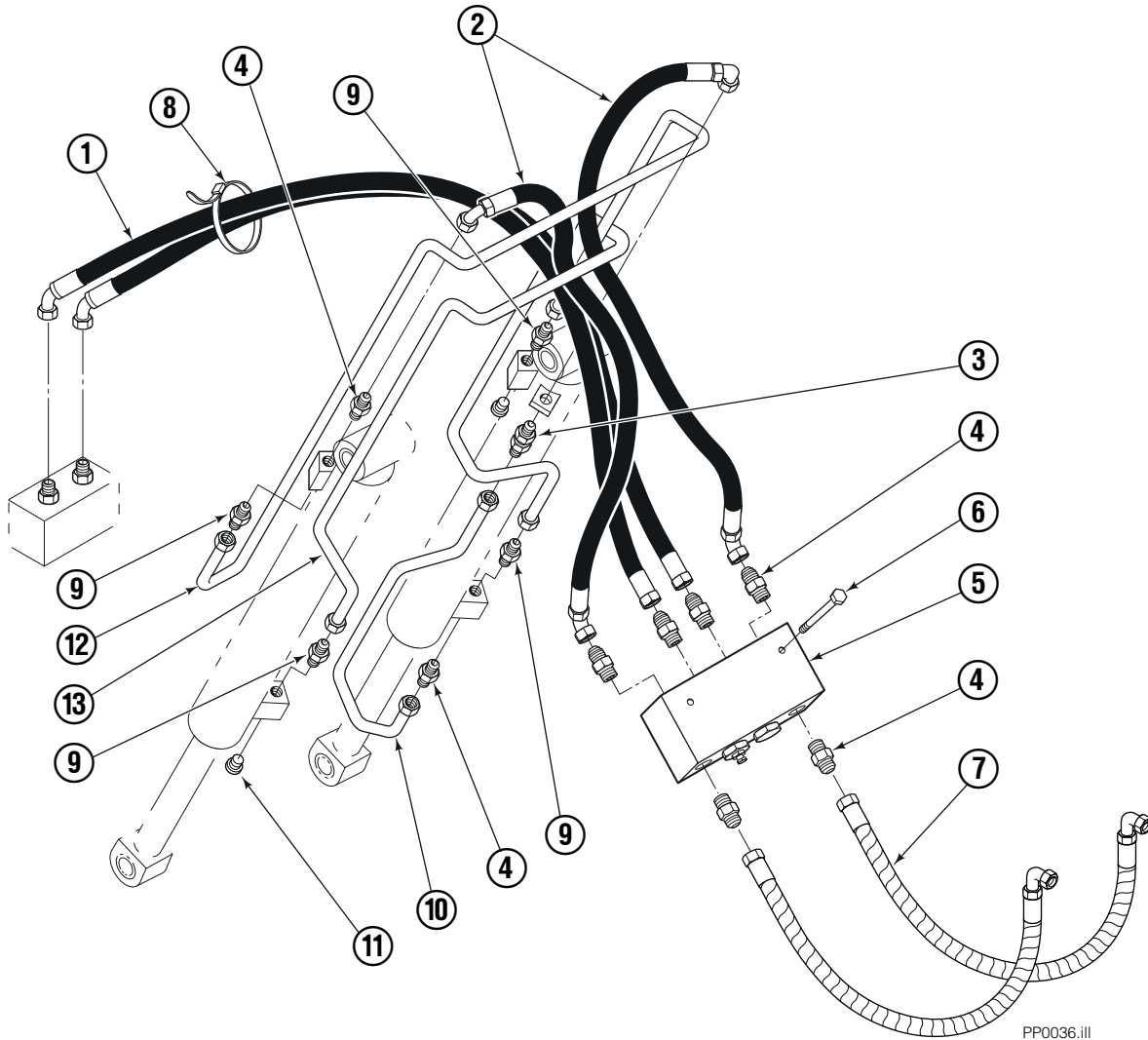
REF	QTY	PART NO.	DESCRIPTION
		358091	Cylinder Group
		358093	Cylinder Modified ●
1	1	685379	Spacer
2	1	562553	■ Seal
3	1	7348	Snap Ring
4	1	564161	Piston
5	1	562717	Shell
6	1	558626	Rod
7	1	559705	■ Seal
8	1	2787	■ O-Ring
9	1	615130	■ Back-Up Ring
10	1	558628	Retainer
11	1	636853	■ Wiper
12	4	559697	Bearing
13	1	559698	Spacer
14	1	678019	Nut
15	1	671048	■ Seal Loader Kit
16	2	7401	Grease Fitting

● Cylinder 582636 shell and rod has had special machining applied to it.

■ Included in Service Kit 562339.

Reference: S-8434.

Hydraulic Group



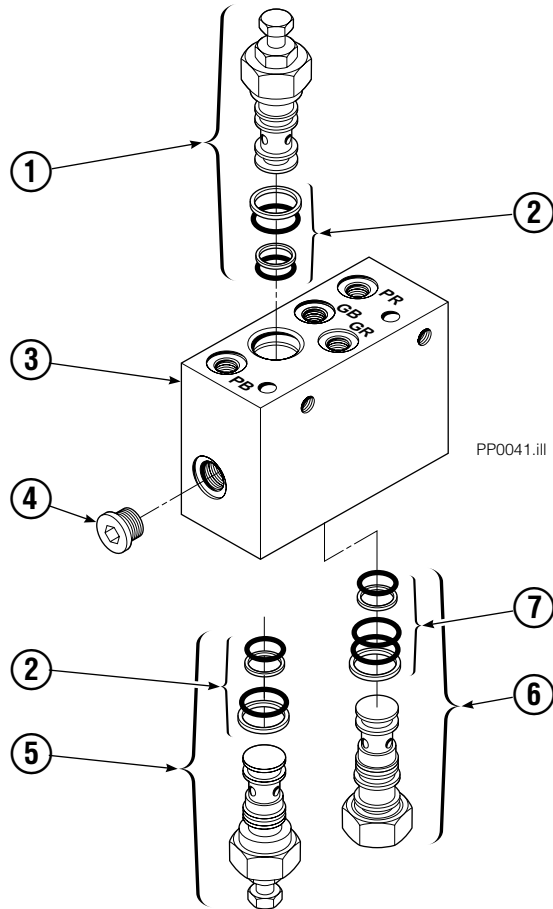
PP0036.ill

REF	QTY	PART NO.	DESCRIPTION
		688824	Hydraulic Group
1	1	689204	Hose, 49.60 in.
2	2	200005	Hose, 18.50 in.
3	1	2375	Fitting, 6-6
4	8	604511	Fitting, 6-6
5	1	682812	■ Valve
6	2	787373	Capscrew, M8 x 25
7	2	685980	Hose, 21.75 in.
8	2	684956	Cable Tie
9	4	605235	Fitting, 5-6
10	1	200647	Tube
11	2	604510	Plug, 6
12	1	200649	Tube
13	1	200648	Tube

■ See Valve page for parts breakdown.
Reference: Hydraulic Components 689205.

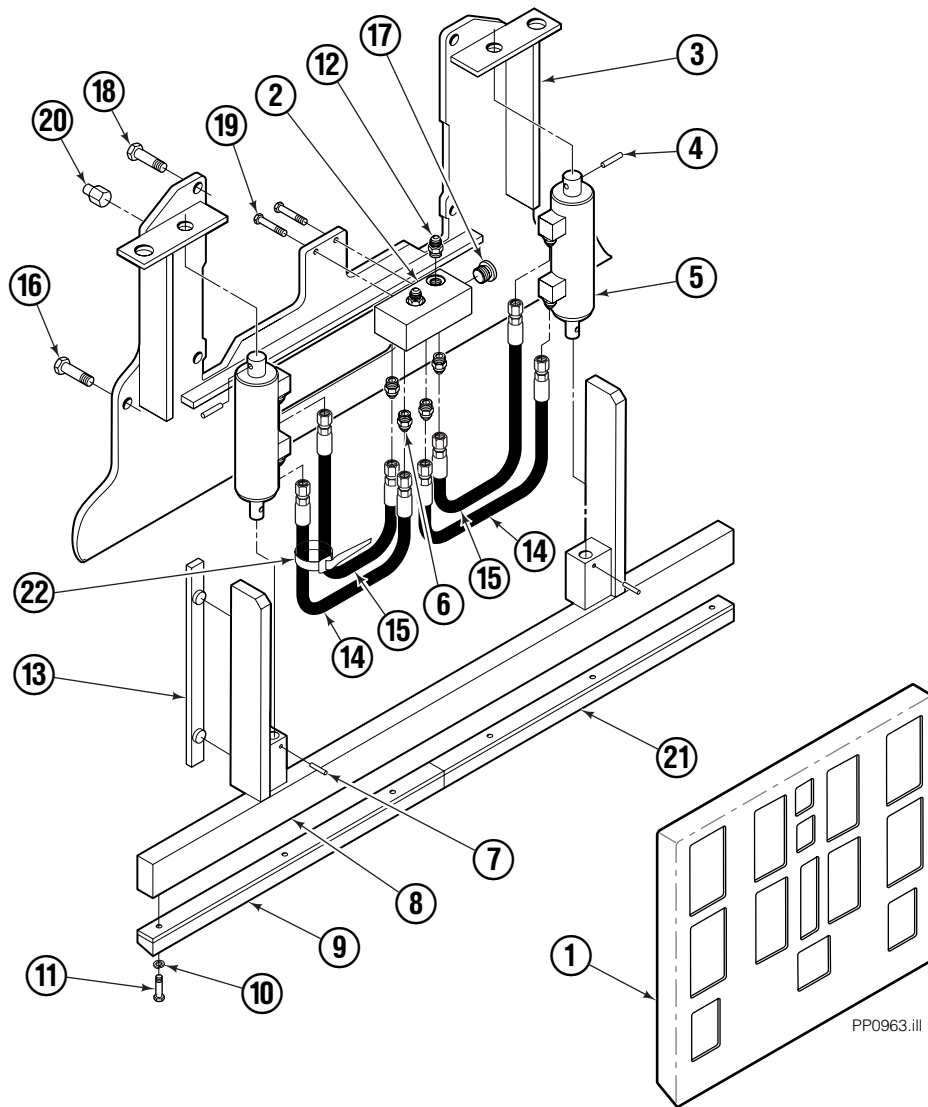
Valve

Load Push/Pull



REF	QTY	PART NO.	DESCRIPTION
		682812	Valve Assembly
1	1	677125	Sequence Valve (Retract)
2	2	669597	Service Kit
3	1	682813	Body
4	5	663694	Fitting, 3
5	1	677124	Sequence Valve (Extend)
6	1	659058	Gripper Check Valve
7	1	667516	Service Kit

Faceplate Group

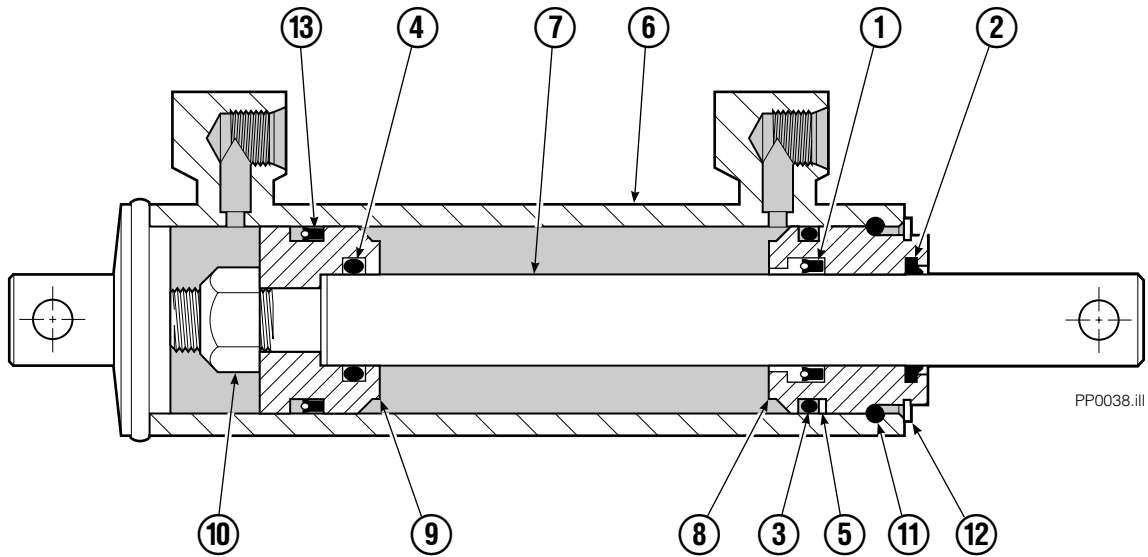


PP0963.iii

35E/45E							
REF	QTY	PART NO.	DESCRIPTION	REF	QTY	PART NO.	DESCRIPTION
		395155	Faceplate Group 48" x 48" ■	11	6	768794	Capscrew, M8x1,25x20-8.8
		395149	Gripper Jaw Assembly ●	12	2	604511	Fitting, 6-6
1	1	382892	Faceplate 50" x 48" ■	13	2	686573	Bearing
2	1	205959	Junction Block	14	2	205957	Hose
3	1	368046	Gripper Jaw	15	2	205958	Hose
4	2	673385	Drive Pin	16	2	768710	Capscrew
5	2	682844	Gripper Cylinder ▼	17	2	609234	Plug, 4
6	8	617915	Fitting, 4-4	18	4	779010	Capscrew
7	2	200877	Drive Pin	19	2	763166	Capscrew, M8x1,25x25-8.8
8	1	395148	Gripper Bar	20	4	682850	Stop
9	1	395140	Gripper Pad - R.H.	21	1	395141	Gripper Pad - L.H.
10	6	6444	Lockwasher	22	2	684956	Wire Tie

- Width x height.
- Includes items 2 through 21.
- ▼ See Gripper Cylinder page for parts breakdown.

Gripper Cylinder



35E/45E			
REF	QTY	PART NO.	DESCRIPTION
		682844	Gripper Cylinder
1	1	646540	▼ Seal
2	1	636850	▼ Wiper
3	1	2718	▼ O-Ring
4	1	2710	▼ O-Ring
5	1	615122	▼ Back-Up Ring
6	1	685662	Shell
7	1	685663	Rod
8	1	685664	Retainer
9	1	685665	Piston
10	1	563462	Nut
11	1	563916	Ring
12	1	684284	Snap Ring
13	1	663728	▼ Piston Seal

▼ Included in Service Kit 684827.

Do you have questions you need answered right now? Call your nearest Cascade Parts Department. Visit us online at www.cascorp.com

Cascade Corporation

2501 Sheridan Avenue
Springfield, OH 45505
Tel: 888-CASCADE (227-2233)
FAX: 888-329-0234

Cascade Canada Inc.

5570 Timberlea Blvd.
Mississauga, Ontario
Canada L4W-4M6
Tel: 905-629-7777
FAX: 905-629-7785

Cascade GmbH

D-41199 Monchengladbach
Klosterhofweg 52
Germany
Tel: 49-216-668230
FAX: 49-216-6682323

Cascade Finland

Albert Petreliuksenkatu 3
01370 Vantaa
Finland
Tel: 358-9-836-1925
FAX: 358-9-836-1935

**Cascade N.V.
European Headquarters**

P.O. Box 3009
1300 El Almere
Damluisweg 56
1332 ED Almere
The Netherlands
Tel: 31-36-5492911
FAX: 31-36-5492964

**Cascade N.V.
Benelux Sales and Service**

P.O. Box 3009
1300 El Almere
Damluisweg 56
1332 ED Almere
The Netherlands
Tel: 31-36-5492950
FAX: 31-36-5492974

Cascade (UK) Ltd.

15, Orgreave Crescent
Dore House Industrial Estate
Handsworth
Sheffield S13 9NQ
England
Tel: 742-697524
FAX: 742-695121

Cascade Scandinavia AB

Box 124
Hammarvägen 10
567 23 Vaggeryd
Sweden
Tel: 42-0-393-36950
FAX: 46-0-393-36959

Cascade Norway

Østerliveien 37A
1153 Oslo
Norway
Tel: 47-22-743160
FAX: 47-22-743157

Cascade France S.A.R.L.

1D Rue De Charaintru
BP 18, 91360 Epinay-Sur-Orge
Morangis Cedex, France
Tel: 33-1- 64547500
FAX: 33-1-64547501

Cascade Hispania S.A.

Carrer 5 Sector C
Zona Franca Duanera
Poligono de la Zon Franca
08040 Barcelona, Spain
Office No. 256
Tel: 93-264-07-30
FAX: 93-264-07-31

Cascade Japan Ltd.

5-5-41,
Torikai Kami
Settsu, Osaka
Japan, 566
Tel: 81-726-53-3490
FAX: 81-726-53-3497

Cascade Korea

108B, Namdong Ind Complex
658-3 Gojan-Dong
Namdong-Gu
Inchon, 405-310 Korea
Tel: 82-32-821-2051
FAX: 82-32-821-2055

Cascade Australia

1445 Ipswich Road
Rocklea, QLD 4106
Australia
Tel: 1-800227-223
FAX: (07) 3373-7333

Cascade New Zealand

15 Ra Ora Drive
East Tamaki, Auckland
New Zealand
Tel: 9-273-9136
FAX: 9-273-9137

Cascade (Africa) Pty. Ltd.

P.O. Box 625, Isando 1600
60A Steel Road
Sparton, Kempton Park
South Africa
Tel: 27-11-975-9240
FAX: 27-11-394-1147

Cascade-Xiamen

No. 668 Yangguang Rd.
Xinyang Industrial Zone
Haicang, Xiamen City
Fujian Province
P.R. China 361026
Tel: 86-592-651-2500
FAX: 86-592-651-2571

**Cascade (Singapore)
Trading Co.**

Four Seasons Park
Autumn Block - Apt. 1802
12 Cuscaden Walk
Singapore
Tel: 65-834-1935
FAX: 65-834-1936

