



# Parts Manual

---

Model 20D-CC-01Q

Serial Number 671596

---

**cascade**<sup>®</sup>  
**corporation**

**For Technical Assistance call:** 800-227-2233, Fax: 888-329-8207

**To Order Parts call:** 888-227-2233, Fax: 888-329-0234

**OR**

**Write:** Cascade Corporation, P.O. Box 20187, Portland, OR 97220

**Internet:** [www.cascorp.com](http://www.cascorp.com)

# Safety Decals



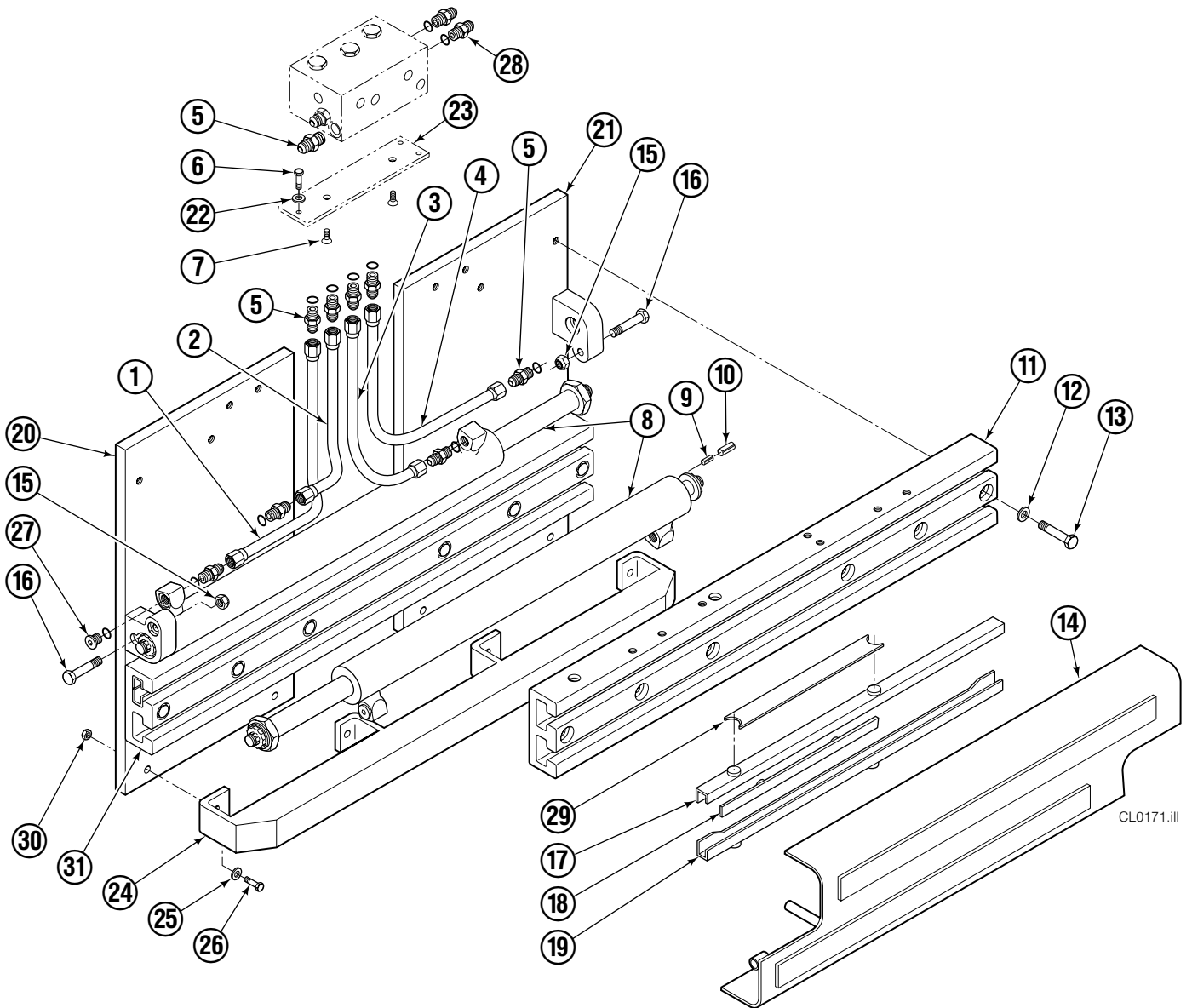
| REF | QTY | PART NO. | DESCRIPTION             |
|-----|-----|----------|-------------------------|
| 1   | 1   | 679150   | No Step Decal           |
| 2   | 2   | 665595   | No Hand Hold Decal      |
| 3   | 1   | 679059   | Quick Change Hook Decal |

# Publications



| PART NO. | DESCRIPTION                     |
|----------|---------------------------------|
| 670487   | Service Manual                  |
| 670834   | Operators Guide                 |
| 670488   | Installation Instructions       |
| 680664   | Servicing Cascade Cylinders-VHS |
| 679929   | Tool Catalog                    |
| 673964   | Literature Index Order Form     |

# Base Unit Group



CL0171.iii

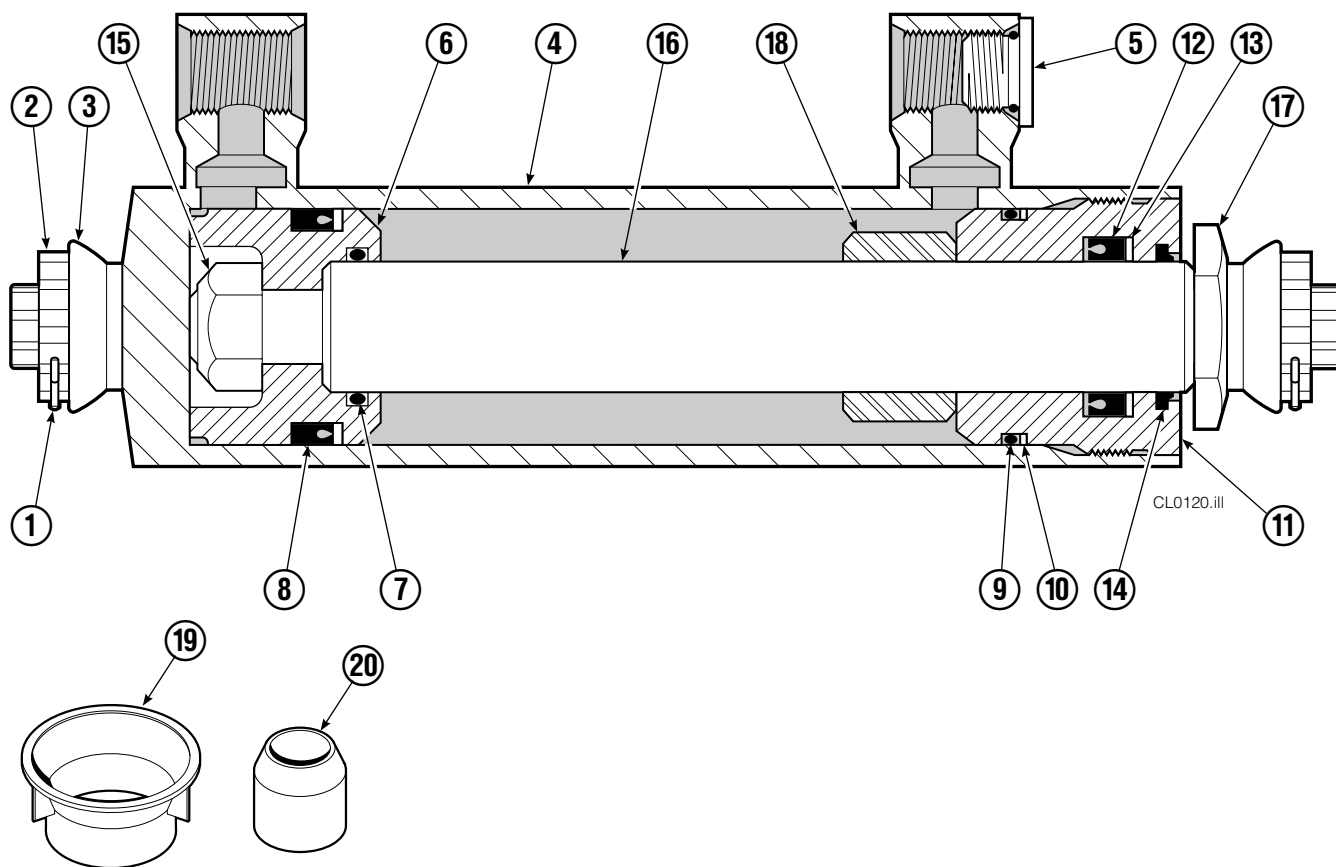
| 20D |     |          |                          |     |     |          |                              |
|-----|-----|----------|--------------------------|-----|-----|----------|------------------------------|
| REF | QTY | PART NO. | DESCRIPTION              | REF | QTY | PART NO. | DESCRIPTION                  |
| 1   | 1   | 671569   | Tube                     | 17  | 4   | 667907   | Bearing                      |
| 2   | 1   | 671568   | Tube                     | 18  | 4   | 667663   | Bearing                      |
| 3   | 1   | 671566   | Tube                     | 19  | 4   | 667906   | Bearing                      |
| 4   | 1   | 671567   | Tube                     | 20  | 1   | 671548   | Mounting Plate - RH          |
| 5   | 9   | 601377   | Fitting                  | 21  | 1   | 671547   | Mounting Plate - LH          |
| 6   | 2   | 3600     | Capscrew, 3/8 x .75      | 22  | 2   | 6288     | Lockwasher                   |
| 7   | 2   | 4749     | Capscrew, 3/8 x .75      | 23  | 1   | 669957   | Plate                        |
| 8   | 2   | 671570   | Cylinder ●               | 24  | 1   | 671545   | Bumper - Lower               |
| 9   | 2   | 7861     | Roll Pin - Inner         | 25  | 4   | 6205     | Washer, 1/2 ID               |
| 10  | 2   | 7962     | Roll Pin - Outer         | 26  | 4   | 640013   | Capscrew, 1/2 NC x 1-3/4 GR5 |
| 11  | 1   | 671549   | Frame - Upper            | 27  | 2   | 602580   | Fitting, 8                   |
| 12  | 8   | 667910   | Washer                   | 28  | 2   | 611288   | Fitting, 6-8                 |
| 13  | 8   | 667909   | Capscrew                 | 29  | ■   | 675326   | Shim Kit                     |
| 14  | 1   | 672331   | Bumper                   | 30  | 4   | 15254    | Nut                          |
| 15  | 2   | 665707   | Nut                      | 31  | 1   | 674168   | Frame - Lower                |
| 16  | 2   | 3659     | Capscrew, 1/2 NC x 2-1/2 |     |     |          |                              |

■ Includes two .015 in. Shims, and eight .020 in. Shims.

● See Cylinder page for parts breakdown.

Reference: S-3022, Basic Group 675604

# Cylinder



| 20D |     |          |                         |
|-----|-----|----------|-------------------------|
| REF | QTY | PART NO. | DESCRIPTION             |
|     |     | 671570   | Cylinder Assembly       |
| 1   | 2   | 6510     | ■ Cotter Pin            |
| 2   | 2   | 667624   | ■ Nut Retainer          |
| 3   | 2   | 667625   | ■ Nut                   |
| 4   | 1   | 671572   | Shell                   |
| 5   | 1   | 602580   | Fitting                 |
| 6   | 1   | 558200   | Piston                  |
| 7   | 1   | 2716     | ▲ O-Ring                |
| 8   | 1   | 662452   | ▲ Seal                  |
| 9   | 1   | 2785     | ▲ O-Ring                |
| 10  | 1   | 615128   | ▲ Back-Up Ring          |
| 11  | 1   | 563906   | Retainer                |
| 12  | 1   | 662448   | ▲ Seal                  |
| 13  | 1   | 638243   | ▲ Nylon Ring            |
| 14  | 1   | 636853   | ▲ Wiper                 |
| 15  | 1   | 667623   | Nut                     |
| 16  | 1   | 661571   | Rod                     |
| 17  | 1   | 667626   | Washer                  |
| 18  | 1   | —        | Spacer                  |
| 19  | 1   | 671047   | ▲ Seal Loader, Piston   |
| 20  | 1   | 671051   | ▲ Seal Loader, Retainer |
|     |     | 668021   | Service Kit             |

▲ Included in Service Kit 668021.

■ Included in Nut Service Kit 668926.

Reference: S-7605, S-7658

# Check Valve



CL0152.iii

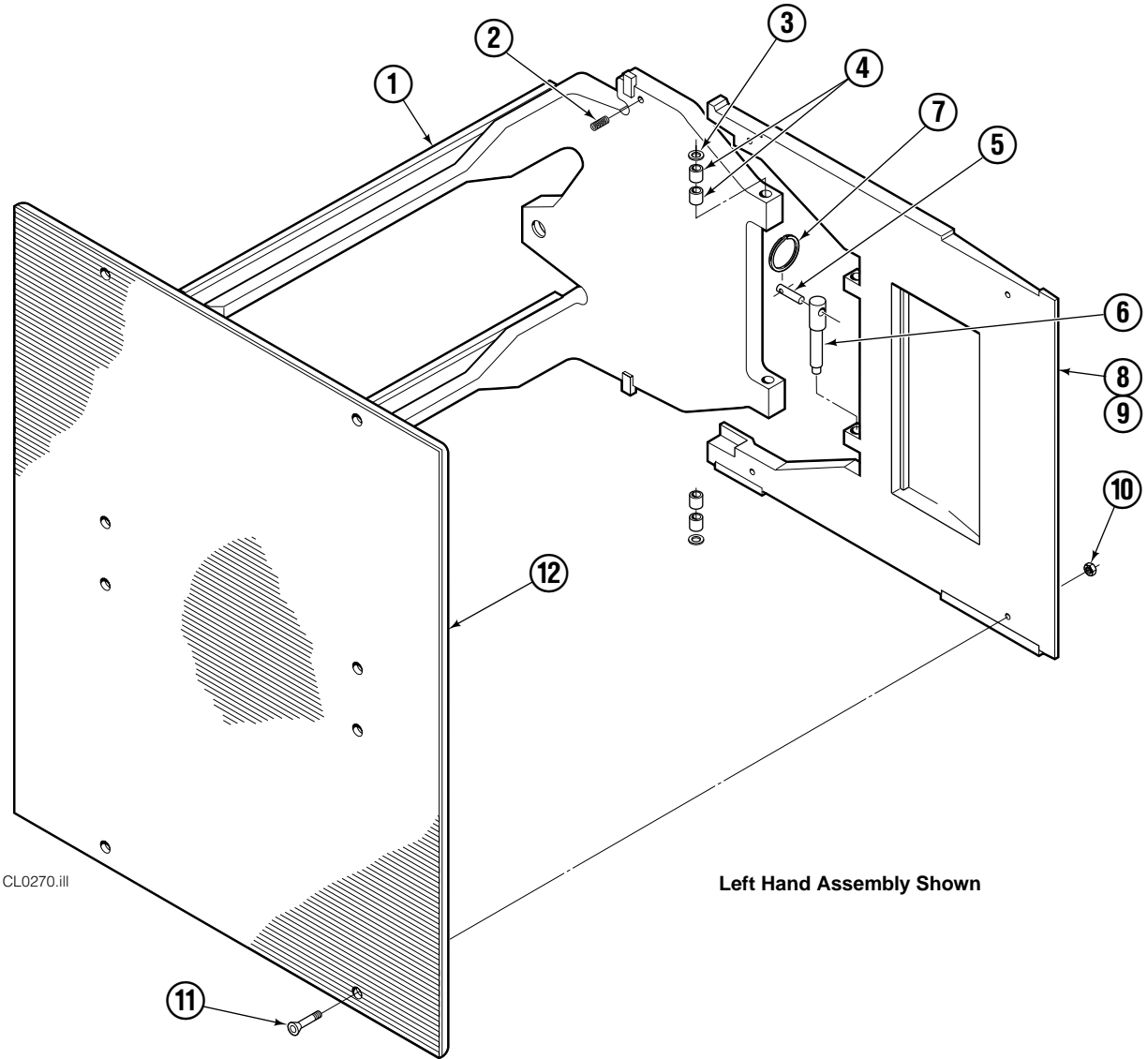
| REF | QTY | PART NO. | DESCRIPTION                | REF | QTY | PART NO. | DESCRIPTION                     |
|-----|-----|----------|----------------------------|-----|-----|----------|---------------------------------|
|     |     | 669762   | Check Valve – Flow Divider | 11  | 2   | 667494   | Fitting                         |
| 1   | 1   | 667490   | Special Fitting            | 12  | 2   | 2840     | O-Ring ●                        |
| 2   | 1   | 2841     | O-Ring ●                   | 13  | 2   | 673098   | Spring                          |
| 3   | 1   | 667471   | Spool                      | 14  | 2   | 667492   | Poppet                          |
| 4   | 2   | 609453   | Fitting, 10                | 15  | 1   | 673089   | Spool Assembly                  |
| 5   | 2   | 667487   | Spring                     | 16  | 2   | 667491   | Sleeve                          |
| 6   | 6   | 604510   | Fitting, 6                 | 17  | 1   | 669763   | Valve Body                      |
| 7   | 1   | 678270   | Check Valve – VPO          | 18  | 1   | 661347   | Service Kit ●                   |
| 8   | 2   | 659058   | Check Valve – PO           | 19  | 1   | 676343   | Regeneration Elimination Plug ■ |
| 9   | 2   | 667516   | Service Kit ●              |     |     | 667513   | Service Kit                     |
| 10  | 1   | 679846   | Low Flow Spool Kit         |     |     |          |                                 |

● Included in Service Kit 667513.

■ For eliminating regeneration circuit only. See Technical Bulletin 121.

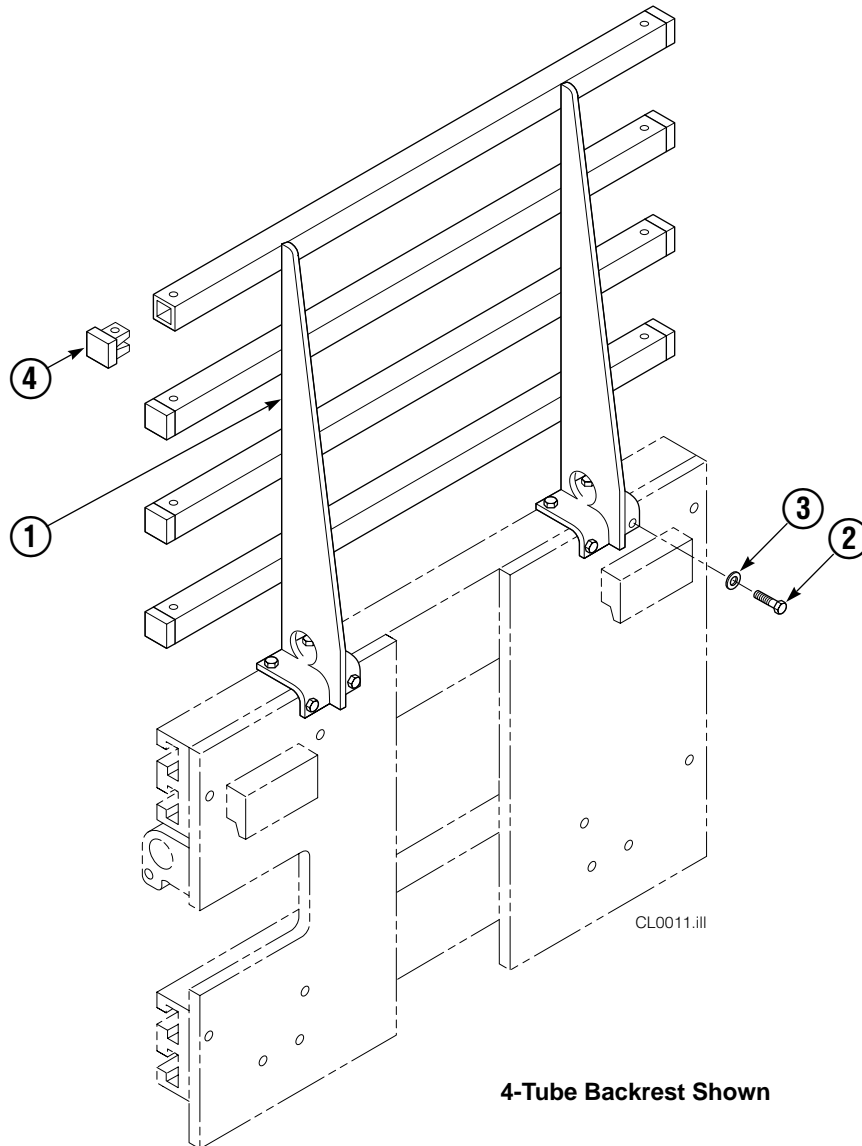
Reference: SK-5302.

# Contact Pad and Arm



| 20D |     |          |                            |
|-----|-----|----------|----------------------------|
| REF | QTY | PART NO. | DESCRIPTION                |
| 1   | 2   | 671588   | Arm                        |
| 2   | 2   | 661212   | Spring                     |
| 3   | 12  | 669694   | Washer                     |
| 4   | 8   | 639277   | Bushing                    |
| 5   | 4   | 669687   | Pin                        |
| 6   | 4   | 674378   | Pin                        |
| 7   | 4   | 7189     | Snap Ring                  |
| 8   | 1   | 674331   | Stabilizer – R.H.          |
| 9   | 1   | 674327   | Stabilizer – L.H.          |
| 10  | 8   | 550218   | Nut                        |
| 11  | 8   | 4672     | Capscrew, .5 NF x 1.25 GR8 |
| 12  | 2   | 669935   | Contact Pad                |

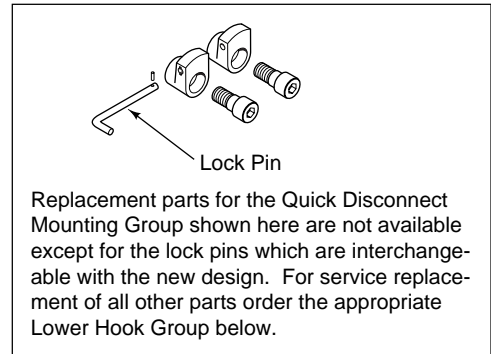
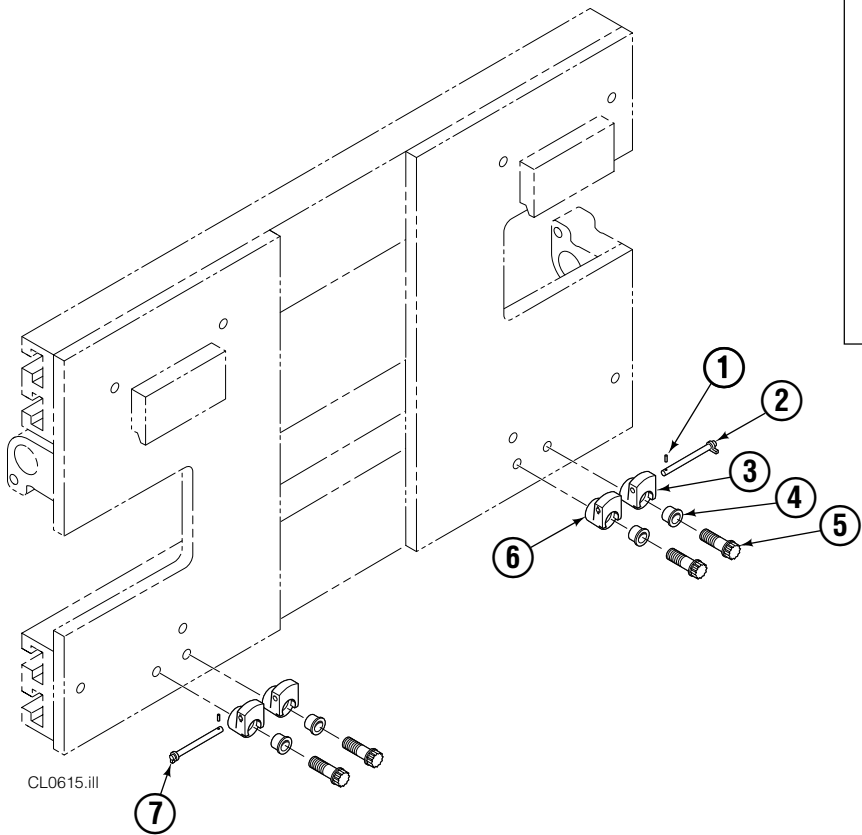
# Backrest Group



| REF | QTY | PART NO. | DESCRIPTION             |
|-----|-----|----------|-------------------------|
|     |     | 669766   | Backrest Group          |
| 1   | 1   | 669897   | Backrest                |
| 2   | 8   | 677828   | Capscrew, 1/2 NC x 1.25 |
| 3   | 8   | 667910   | Washer, 1/2 in. ID      |
| 4   | ▲   | 674356   | Tube End                |

▲ As required.

# Quick Change Mounting Group



Replacement parts for the Quick Disconnect Mounting Group shown here are not available except for the lock pins which are interchangeable with the new design. For service replacement of all other parts order the appropriate Lower Hook Group below.

| Class II |     |          |                   |
|----------|-----|----------|-------------------|
| REF      | QTY | PART NO. | DESCRIPTION       |
|          |     | 667685   | Lower Hook Group  |
| 1        | 2   | 667358   | Roll Pin          |
| 2        | 1   | 672223   | Lock Pin - LH     |
| 3        | 2   | 672177   | Lower Hook, Outer |
| 4        | 4   | 672178   | Bushing           |
| 5        | 4   | 672059   | Capscrew          |
| 6        | 1   | 672176   | Lower Hook, Inner |
| 7        | 1   | 672181   | Lock Pin - RH     |



**Do you have questions you need answered right now?** Call your nearest Cascade Parts Department. Visit us online at [www.cascorp.com](http://www.cascorp.com)

**Cascade Corporation**

2501 Sheridan Avenue  
Springfield, OH 45505  
Tel: 888-CASCADE (227-2233)  
FAX: 888-329-0234

**Cascade Canada Inc.**

5570 Timberlea Blvd.  
Mississauga, Ontario  
Canada L4W-4M6  
Tel: 905-629-7777  
FAX: 905-629-7785

**Cascade GmbH**

Dahlener Strasse 570  
41239 Mönchengladbach  
Germany  
Tel: 02166-68230  
FAX: 02166-682323

**Cascade Finland**

A. Petreliuksenkatu 3  
01370 Vantaa  
Finland  
Tel: 09-8361925  
FAX: 09-8361935

**Cascade N.V.  
Benelux Sales and Service**

Damsluisweg 56  
PO Box 3009  
1300 El Almere  
The Netherlands  
Tel: 036-5492950  
FAX: 036-5492974

**Cascade (UK) Ltd.**

Unit 5, Eden Close  
Hellaby Lane Ind. Estate  
Heellaby,  
Rotherham S66 8RW  
England  
Tel: 01709-704500  
FAX: 01709-704501

**Sales Scotland  
Macade Systems Ltd.**

18 Melford Road  
Righead Ind. Estate  
Bellshill ML4 3LR  
Scotland  
Tel: 01698-845777  
FAX: 01698-845888

**Cascade (Africa) Pty. Ltd.**

PO Box 625, Isando 1600  
60A Steel Road  
Sparton, Kempton Park  
South Africa  
Tel: 975-9240  
FAX: 394-1147

**Cascade Scandinavia AB**

Hammarvägen 10  
PO Box 124  
S-56723 Vaggeryd  
Sweden  
Tel: 039-336950  
FAX: 039-336959

**Cascade France  
S.A.R.L. MHP**

1D Rue De Charaintru  
BP 18,  
91360 Epinay-Sur-Orge  
France  
Tel: 01-6454-7500  
FAX: 01-6454-7501

**Cascade Hispania S.A.**

Carrer 5, Sector C  
Zona Franca Duanera  
Poligono de la Zona Franca  
08040 Barcelona  
Spain  
Tel: 93-264-07-30  
FAX: 93-264-07-31

**Sales Italy**

Via Ponzano 11  
50047 Prato  
Italy  
Tel: 0574-571726  
FAX: 0574-571726  
Mobile Phone: 0337-673029

**Sales Portugal FAG  
Santos Lda**

Rua do Mercado  
Lte 6, Loja 2-Tires  
2785-630  
S. Domingos De Rana  
Portugal  
Tel: 214-448-083  
FAX: 214-458-098

**Sales Switzerland  
Fahrzeugbedarf**

8810, Horgen  
Switzerland  
Tel: 01-7279797  
FAX: 01-7279798

**Sales Poland**

Targowa 35/61  
03-728 Warszawa  
Tel: 022-619 00 49  
FAX: 022-619 00 49  
Mobile Phone: 0501-27 29 55

**Sales Russia**

EMCG Material Handling  
Equipment  
Moscow  
Tel: 095-795-2400  
FAX: 095-795-2475  
Email: [emcg@dol.ru](mailto:emcg@dol.ru)

**Cascade Japan Ltd.**

5-5-41,  
Torikai Kami  
Settsu, Osaka  
Japan, 566  
Tel: 81-726-53-3490  
FAX: 81-726-53-3497

**Cascade Korea**

108B Namdong Ind. Complex  
658-3 Gojan-Dong  
Namdong-Gu  
Inchon, 405-310 Korea  
Tel: 82-32-821-2051  
FAX: 82-32-821-2055

**Cascade Australia**

1445 Ipswich Road  
Rocklea, QLD 4106  
Australia  
Tel: 1-800227-223  
FAX: (07) 3373-7333

**Cascade New Zealand**

15 Ra Ora Drive  
East Tamaki, Auckland  
New Zealand  
Tel: 9-273-9136  
FAX: 9-273-9137

**Cascade-Xiamen**

No. 668 Yangguang Rd.  
Xinyang Industrial Zone  
Haicang, Xiamen City  
Fujian Province  
P.R. China 361026  
Tel: 86-592-651-2500  
FAX: 86-592-651-2571

**Cascade (Singapore)  
Trading Co.**

Four Seasons Park  
Autumn Block - Apt. 1802  
12 Cuscaden Walk  
Singapore  
Tel: 65-834-1935  
FAX: 65-834-1936

