



Parts Manual

Model 25F Roll Clamp

Serial Number 25F-RCF-124

cascade[®]

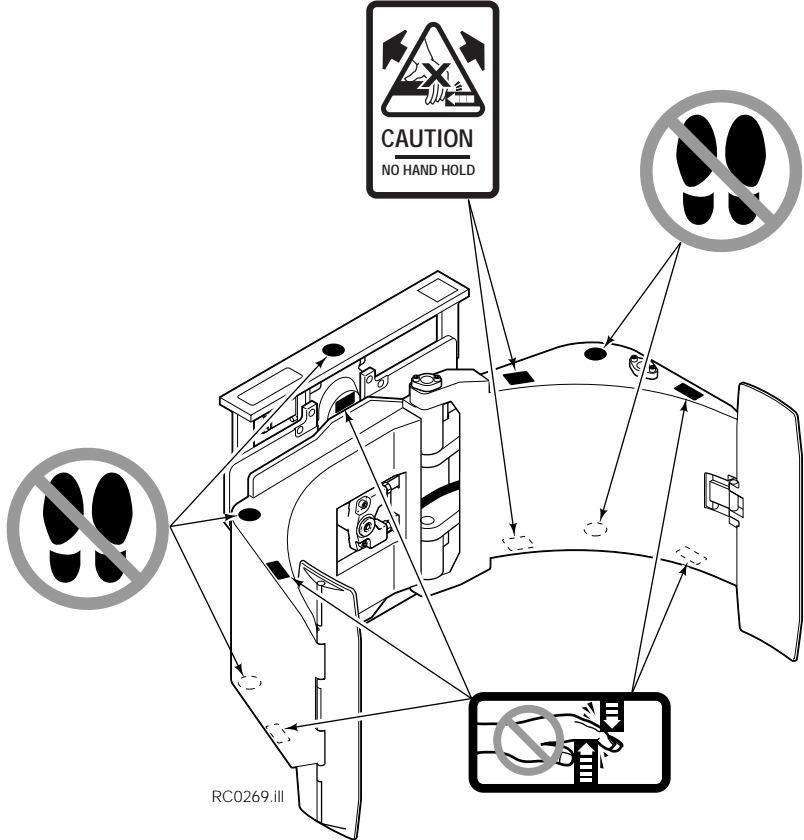
For Technical Assistance call: 800-227-2233, Fax: 888-329-8207

To Order Parts call: 888-227-2233, Fax: 888-329-0234

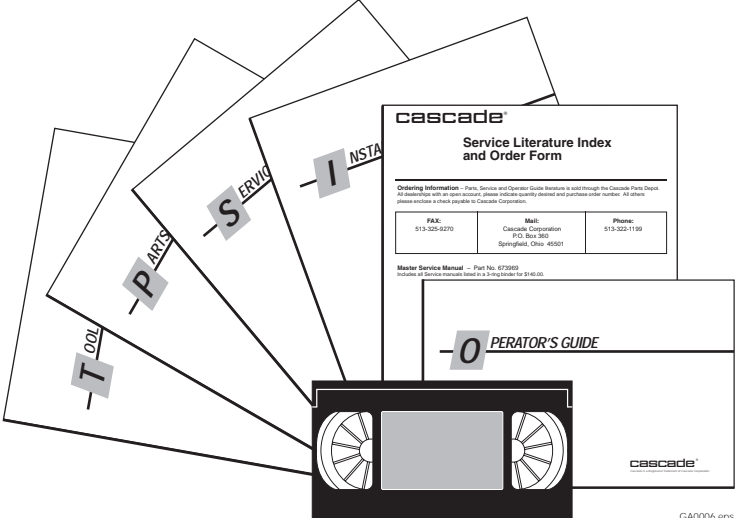
OR

Write: Cascade Corporation, P.O. Box 20187, Portland, OR 97220

Safety Decals

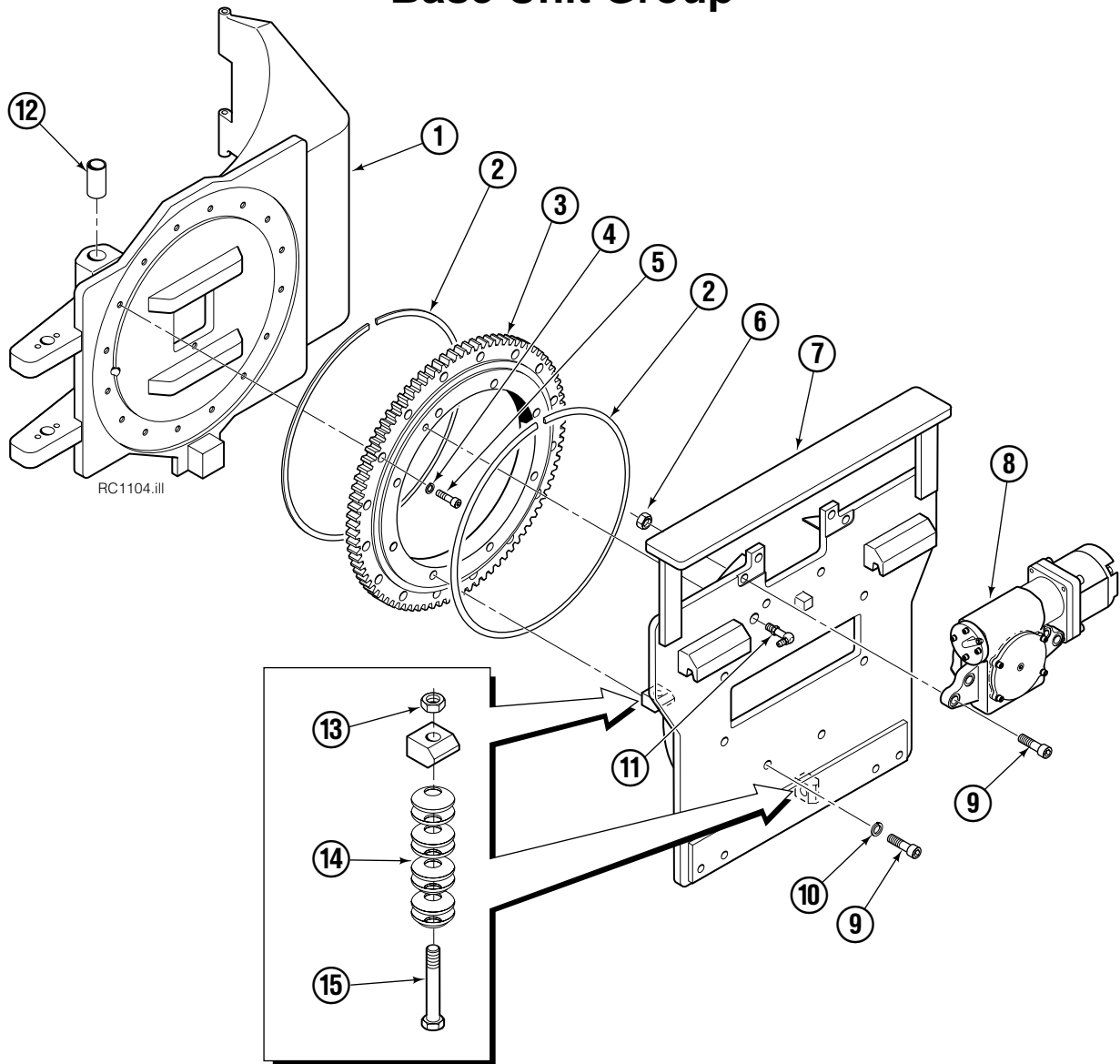


Publications



25F	
PART NO.	DESCRIPTION
681466	Service Manual
210135	Operators Guide
674510	Installation Instructions
679929	Tool Catalog
673964	Literature Index Order Form

Base Unit Group

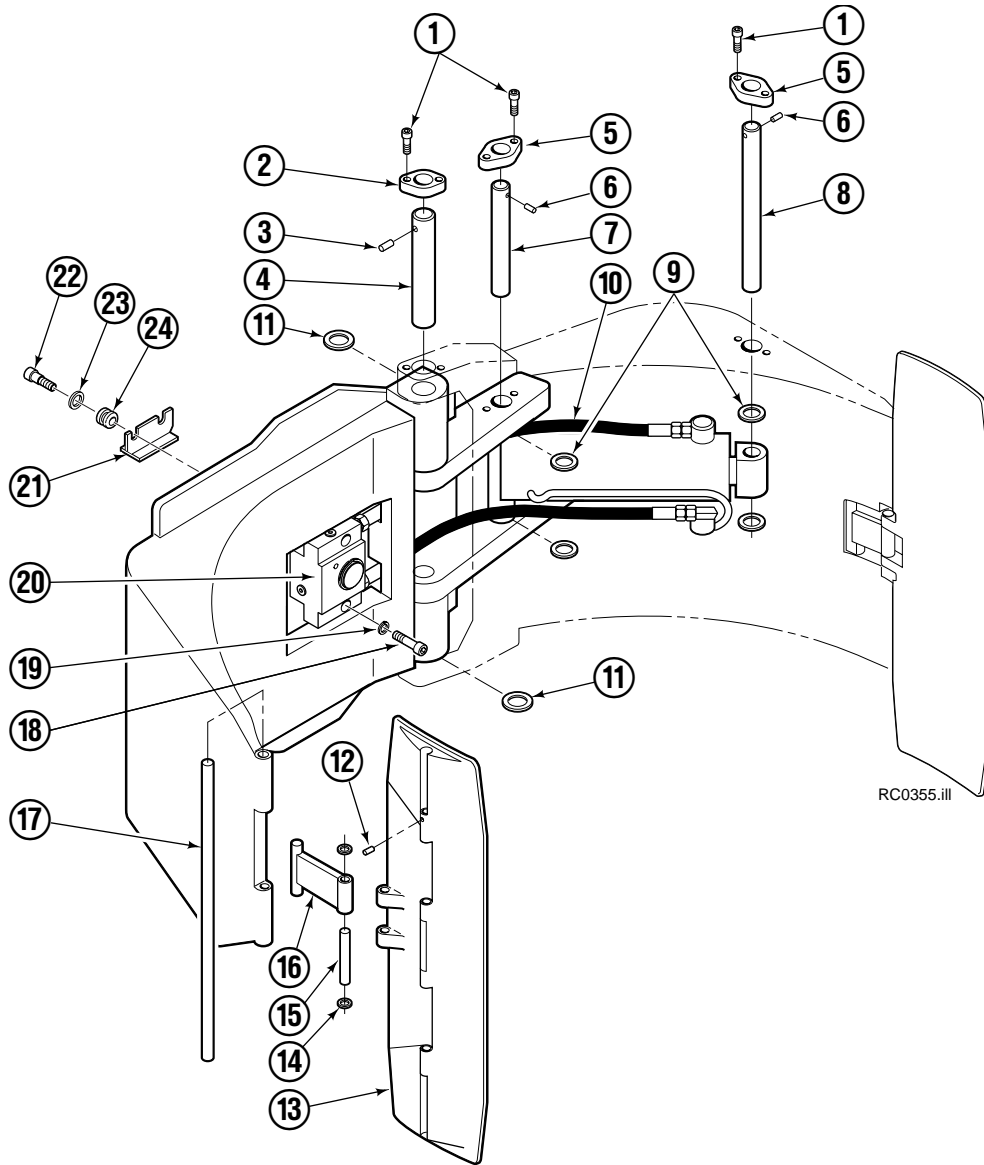


25F

REF	QTY	PART NO.	DESCRIPTION
		6003207	Base Unit Group
1	1	6003134	● Frame
2	2	673043	Seal
3	1	201082	■ Bearing Assembly
4	16	678991	Lockwasher
5	16	769571	Capscrew
6	4	678990	Nut
7	1	6003135	Baseplate
8	1	679106	▼ Drive Group
9	12	769577	Capscrew
10	8	678992	Lockwasher
11	1	201080	Grease Fitting
12	4	676163	Bearing
13	2	5932	Nut ◆
14	32	662271	Spring Disc Washer ◆
15	2	633661	Capscrew ◆

- ◆ Included in Stop Group 6003133.
- Includes item 12.
- Includes items 2 and 11.
- ▼ See Drive Group page for parts breakdown.

Common Components



RC0355.ill

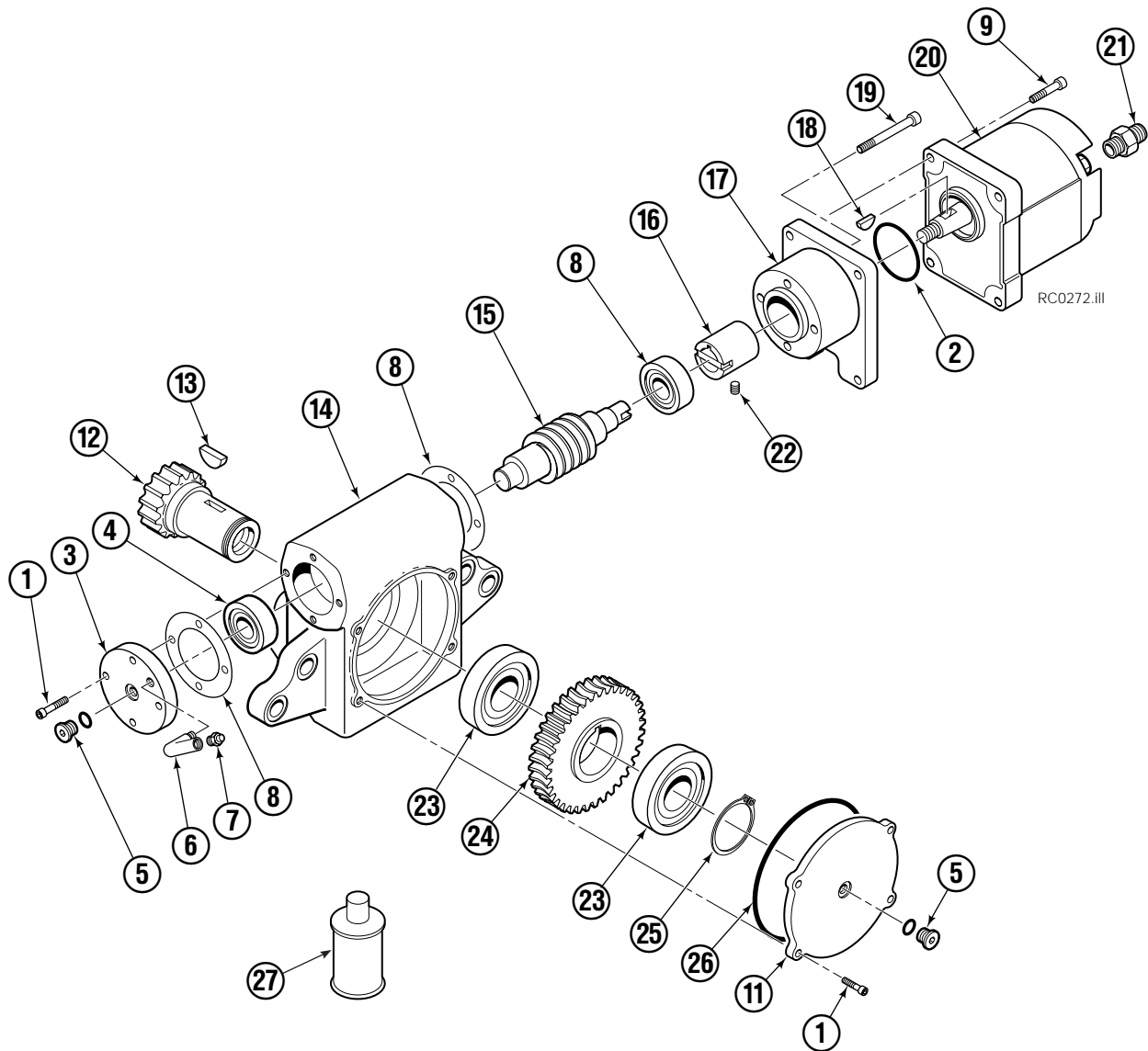
25F

REF	QTY	PART NO.	DESCRIPTION	REF	QTY	PART NO.	DESCRIPTION
		227930	Common Components Group	13	1	209652	Contact Pad
1	8	768809	Capscrew, M10 x 16	13	1	680031	Contact Pad
2	2	206590	Retainer	14	4	678988	Snap Ring
3	2	674256	Drive Pin	15	2	679812	Pin
4	2	680028	Pin	16	2	680033	Link
5	2	206589	Retainer	17	2	680032	Pin
6	2	673385	Drive Pin	18	2	768810	Capscrew ▲
7	1	680029	Pin	19	2	680030	Lockwasher, M10 ▲
8	1	675018	Pin	20	1	206596	Revolving Connection ■ ▲
9	6	674257	Shim, .06 in.	21	1	209067	End Block Bracket ▲
		680027	Hose, 6-6 ▲	22	2	208780	Shoulder Bolt ▲
11	4	660200	Shim, .06 in.	23	2	209043	Flat Washer ▲
12	2	201732	Drive Pin	24	2	208765	Grommet ▲

■ See Revolving Connection page parts breakdown.

▲ Included in Revolving Connection Hose Group, 207444.

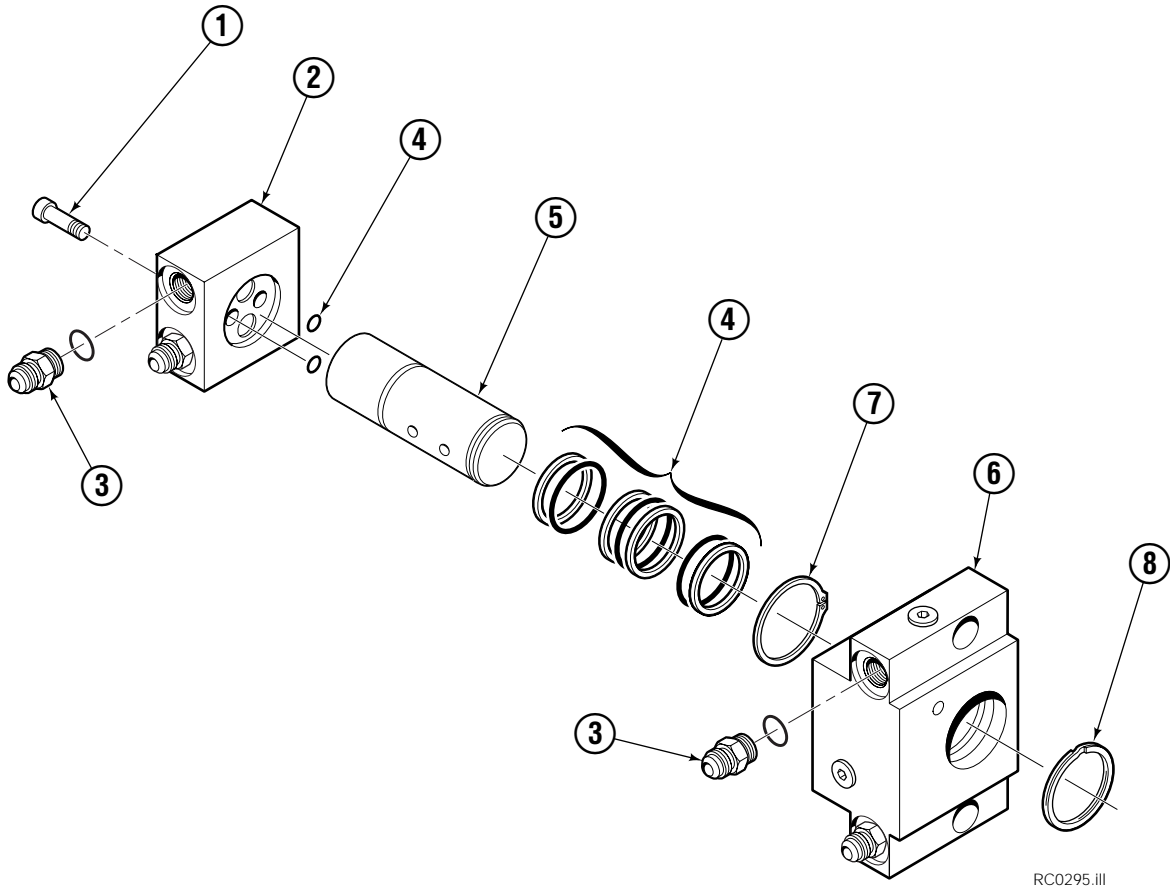
Drive Group



25F

REF	QTY	PART NO.	DESCRIPTION	REF	QTY	PART NO.	DESCRIPTION
		679106	Drive Group	15	1	679109	Worm
1	4	768786	Capscrew, M6 X 25-8.8	16	1	679118	Coupling
2	1	643352	O-Ring	17	1	679115	Adapter
3	1	679114	End Cap	18	1	678999	Key
4	2	678985	Bearing	19	4	768792	Capscrew, M6 X 60-8.8
5	2	663694	Fitting, 3	20	1	206418	Motor
6	1	6688	Fitting, 2	21	2	626505	Fitting, 10-6
7	1	644010	Relief Fitting	22	1	678994	Setscrew
8	2	679808	Shim-.002 in.(.05mm)	23	2	678986	Bearing
9	4	768787	Capscrew, M6 X 30-8.8	24	1	679110	Worm Gear
10	4	752845	Capscrew, M6 X 16-8.8	25	1	678987	Snap Ring
11	1	679112	Cover	26	1	643368	O-ring
12	1	679111	Pinion	27	1	656300	Gear Lube (48 oz.)
13	1	201815	Key			206419	Motor Shaft Seal Kit
14	1	679107	Gear Case			206421	Motor Service Kit

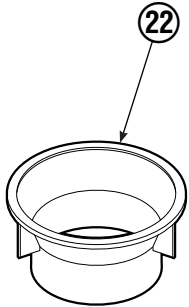
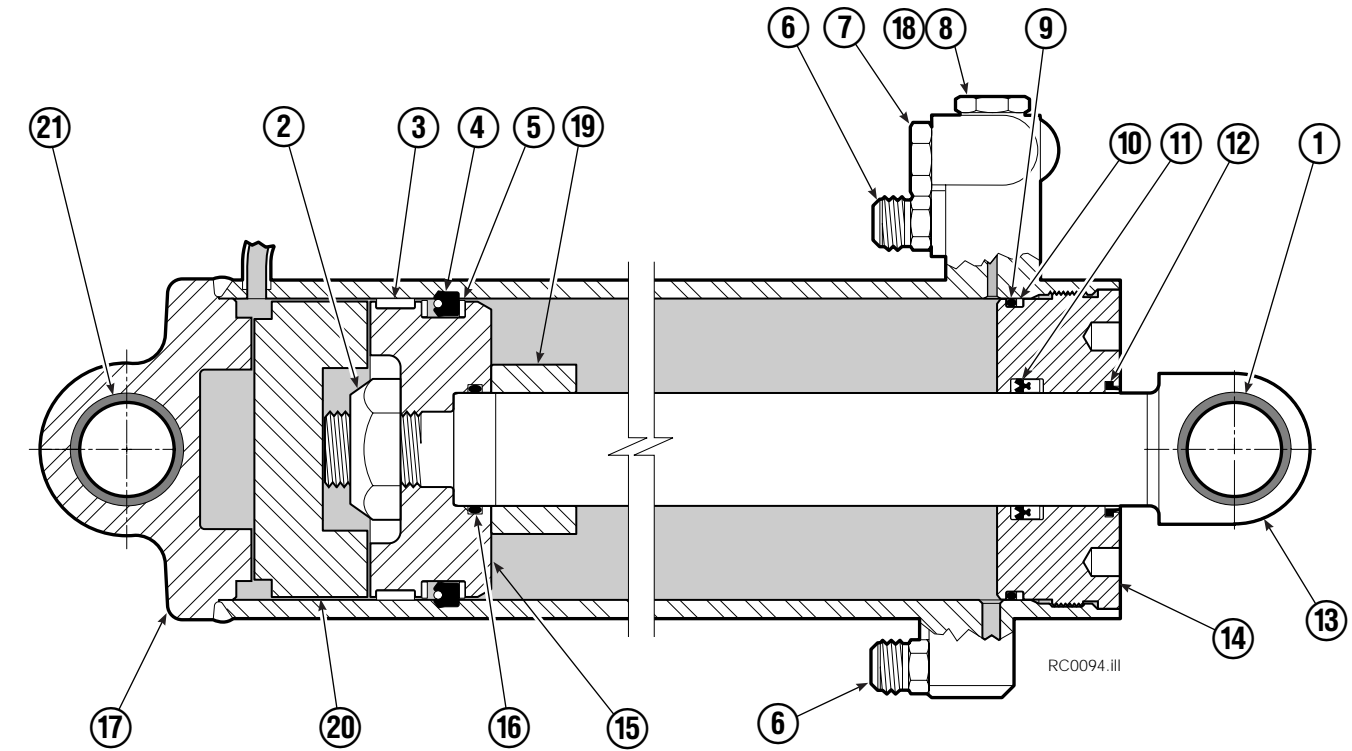
Revolving Connection



RC0295.III

25F			
REF	QTY	PART NO.	DESCRIPTION
		206596	Revolving Connection
1	2	768796	Capscrew
2	1	687301	End Block
3	4	604511	Fitting, 6-6
4	1	206599	Service Kit
5	1	206594	Shaft
6	1	206595	Body
7	1	7341	Snap Ring
8	1	3138	Snap Ring

Cylinder

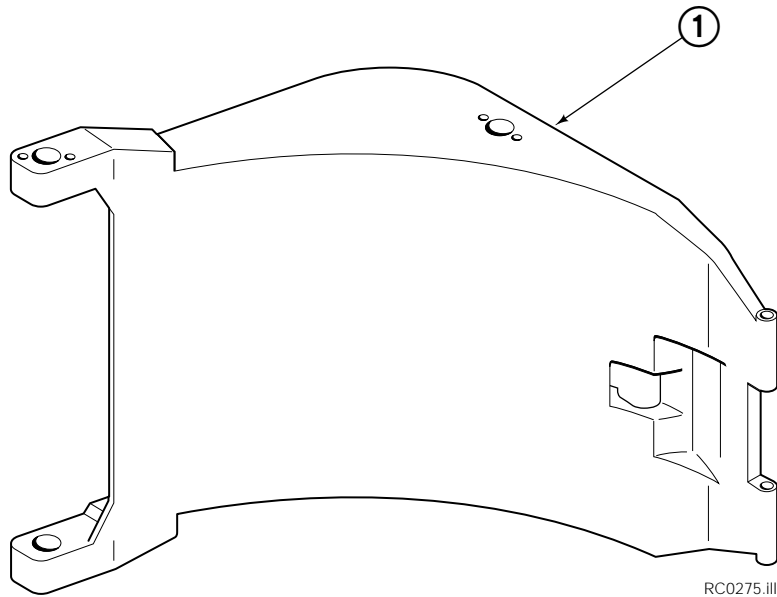


25F			
REF	QTY	PART NO.	DESCRIPTION
		557386	Cylinder Assembly
1	1	674843	Bearing
2	1	560997	Nut
◆ 3	1	660769	Bearing
◆ 4	1	662462	Seal
◆ 5	2	638295	Back-Up Ring
6	2	604511	Fitting, 6-6
7	1	556852	Fitting, 4
8	1	557212	Check Valve
◆ 9	1	2801	O-Ring
◆ 10	1	583977	Back-Up Ring
◆ 11	1	554598	Seal
◆ 12	1	628047	Wiper
13	1	557404	Rod
14	1	555724	Retainer
15	1	557389	Piston
◆ 16	1	2722	O-Ring
17	1	557411	Shell
18	1	667516	Check Valve Service Kit
19	1	—	Spacer
20	1	—	Spacer
21	2	675006	Bearing
22	1	669243	Seal Loader
		555725	Service Kit

◆ Included in Service Kit 555725.

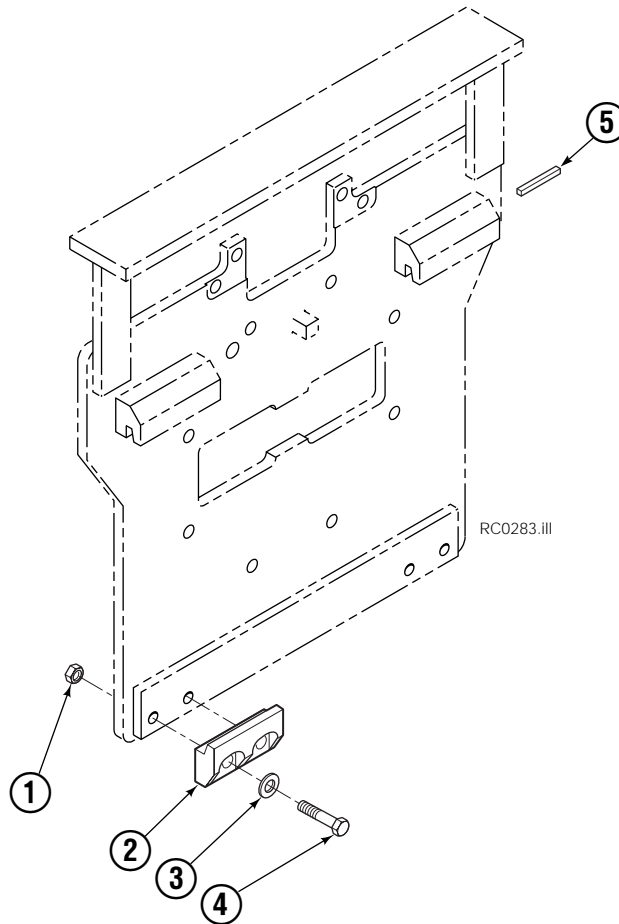
Ref: S-5320, S-5321

Arms



25F			
REF	QTY	PART NO.	DESCRIPTION
1	1	206680	Arm

Bolt-On Mounting Group



Class II, 1.5°			
REF	QTY	PART NO.	DESCRIPTION
		680022	Mounting Group
1	4	678990	Nut< M16
2	2	675968	Hook
3	4	667225	Washer, 5/8
4	4	678996	Capscrew, M16 x 60
5	1	669344	Stop Kit

Do you have questions you need answered right now? Call your nearest Cascade Parts Department.

Cascade Corporation
2501 Sheridan Avenue
Springfield, OH 45505
Tel: 888-CASCADE (227-2233)
FAX: 888-329-0234

Cascade Canada Inc.
5570 Timberlea Blvd.
Mississauga, Ontario
Canada L4W-4M6
Tel: 905-629-7777
FAX: 905-629-7785

Cascade GmbH
D-41199 Monchengladbach
Klosterhofweg 52
Germany
Tel: 21-66-602091
FAX: 21-66-680947

Cascade Finland
01370 Vantas
Finland
Tel: 358-0-836-1925
FAX: 358-0-836-1935

**Cascade N.V.
European Headquarters**
P.O. Box 3009
1300 El Almere
Damsluisweg 56
1332 ED Almere
The Netherlands
Tel: 31-36-5492911
FAX: 31-36-5492964

**Cascade N.V.
Benelux Sales and Service**
P.O. Box 3009
1300 El Almere
Damsluisweg 56
1332 ED Almere
The Netherlands
Tel: 31-36-5492950
FAX: 31-36-5492974

Cascade (UK) Ltd.
15, Orgreave Crescent
Dore House Industrial Estate
Handsworth
Sheffield S13 9NQ
England
Tel: 742-697524
FAX: 742-695121

**Cascade Scandinavia
Hydraulik A.B.**
Muskötgatan 19, E8-9
S25466 Helsingborg
Sweden
Tel: 42-151135
FAX: 42-152997

Cascade Norway
Østerliveien 37A
1153 Oslo
Norway
Tel: 47-22-743160
FAX: 47-22-743157

Cascade France S.A.R.L.
11, Rue Jean Charcot
Zone Industrielle Sud or
B.P. 22
91421 Morangis Cedex
France
Tel: 1- 64547501
FAX: 1-9790584

Cascade Hispania S.A.
Avenida De La Fabregada, 7
Hospitalet De Llobregat
Barcelona
Spain
Tel: 3-335-5158
FAX: 3-335-4756

Cascade Japan Ltd.
5-5-41,
Torikai Kami
Settsu, Osaka
Japan, 566
Tel: 81-726-53-3490
FAX: 81-726-53-3497

Cascade Korea
Room 508, Pum Yang Bldg.
750-14, Bang Bac-Dong
Se-Cho Ku, Seoul
Korea
Tel: 2599-7131 ext. 512
FAX: 2533-8089

HYCO-Cascade Pty. Ltd.
1445 Ipswich Road
Rocklea,
Queensland 4107
Australia
Tel: 3-274-2722
FAX: 3-274-3456

HYCO-Cascade (NZ) Ltd.
15 Ra Ora Drive, East Tamaki
P.O. Box 38-440
Howick, Auckland
New Zealand
Tel: 9-273-9136
FAX: 9-273-9137

Cascade (Africa) Pty. Ltd.
P.O. Box 625, Isando 1600
60A Steel Road
Sparton, Kempton Park
South Africa
Tel: 975-9240
FAX: 394-1147

Cascade-Xiamen
Wanshan No. 1 Workshop
Huli Road
Xiamen 361006
Fujian, PRC
Tel: 592-562-4600
FAX: 592-562-4671

**Cascade (Singapore)
Trading Co.**
Four Seasons Park
Autumn Block - Apt. 1802
12 Cascaden Walk
Singapore
Tel: 65-834-1935
FAX: 65-834-1936

