



# Parts Manual

---

Model 35D Carton Clamp

Catalog Number SELP-11307

---

**cascade**®  
**corporation**

**For Technical Assistance call:** 800-227-2233, Fax: 888-329-8207

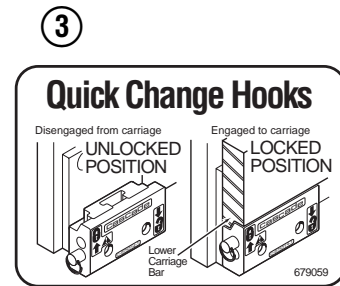
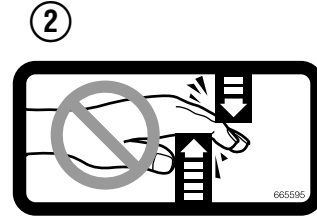
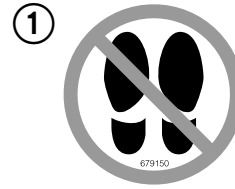
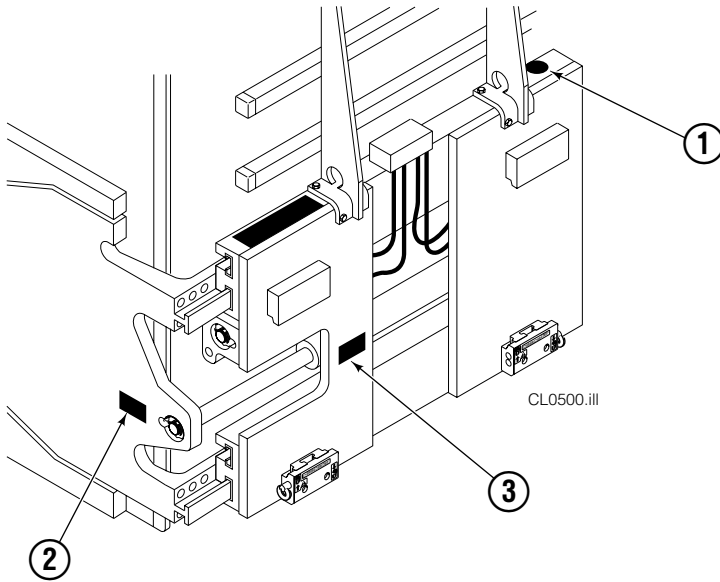
**To Order Parts call:** 888-227-2233, Fax: 888-329-0234

**OR**

**Write:** Cascade Corporation, P.O. Box 20187, Portland, OR 97220

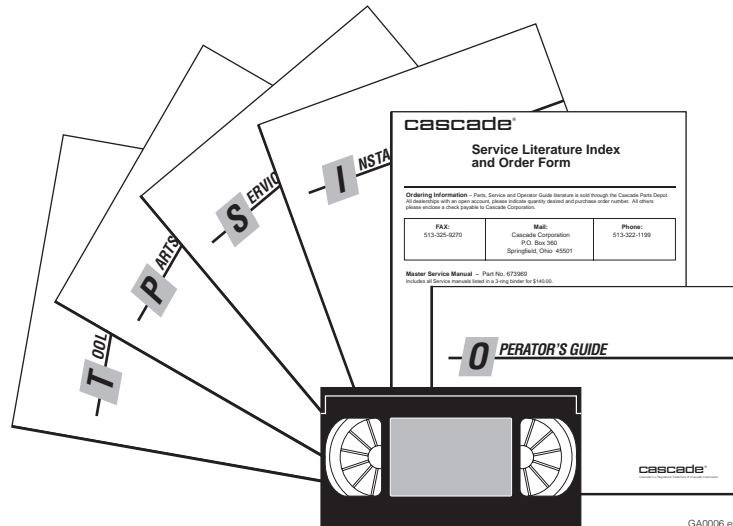
**Internet:** [www.cascorp.com](http://www.cascorp.com)

# Safety Decals



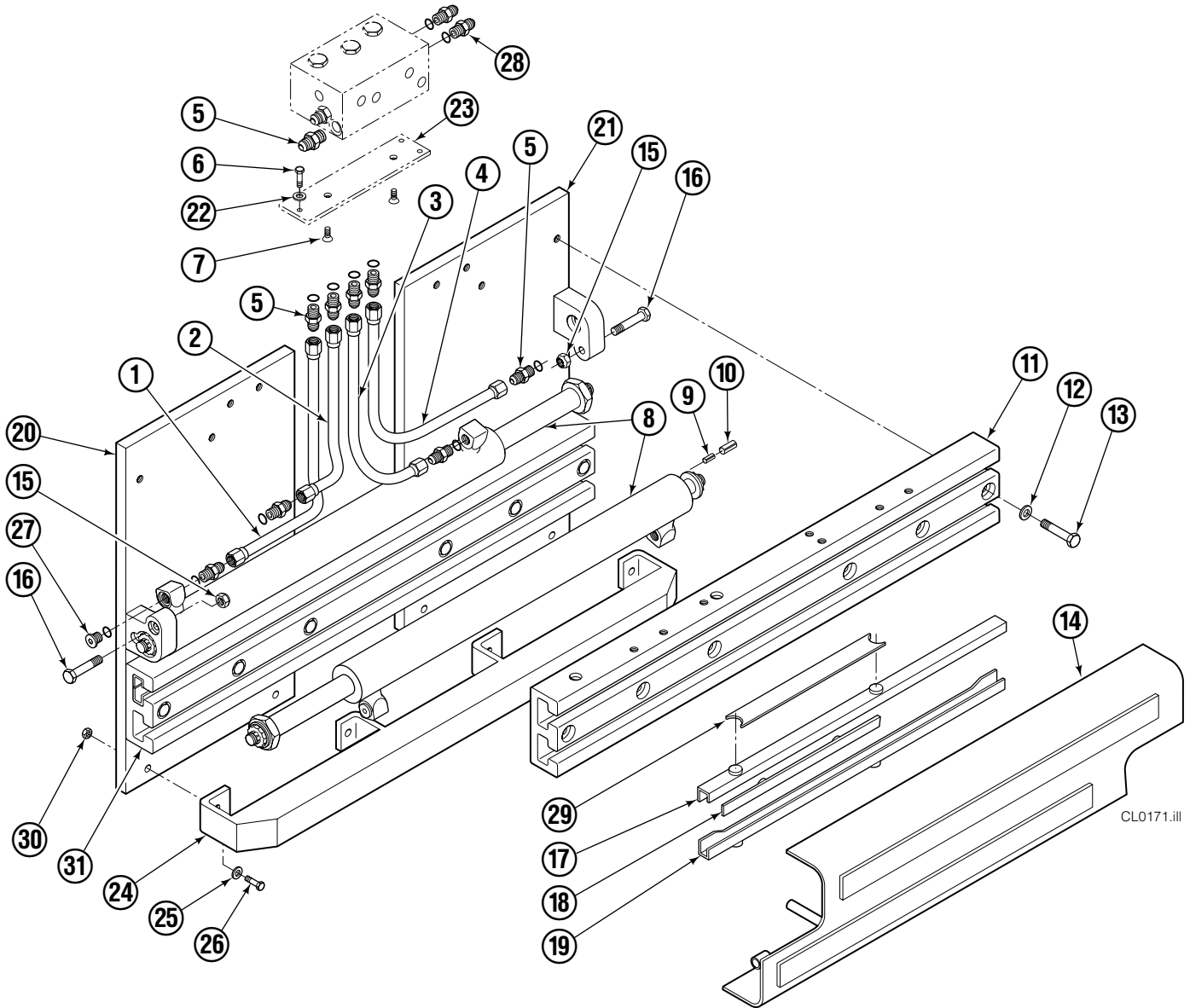
REF	QTY	PART NO.	DESCRIPTION
1	1	679150	No Step Decal
2	2	665595	No Hand Hold Decal
3	1	679059	Quick Change Hook Decal

# Publications



PART NO.	DESCRIPTION
670487	Service Manual
670834	Operators Guide
670488	Installation Instructions
680664	Servicing Cascade Cylinders-VHS
679929	Tool Catalog
673964	Literature Index Order Form

# Base Unit Group



CL0171.iii

35D							
REF	QTY	PART NO.	DESCRIPTION	REF	QTY	PART NO.	DESCRIPTION
1	1	667707	Tube	17	4	667907	Bearing
2	1	667706	Tube	18	4	667663	Bearing
3	1	667705	Tube	19	4	667906	Bearing
4	1	667704	Tube	20	1	669895	Mounting Plate - R.H.
5	9	601377	Fitting, 8-8	21	1	669896	Mounting Plate - L.H.
6	3	3600	Capscrew, 3/8 NC x 5/8	22	2	6288	Lockwasher, 3/8 ID
7	2	4749	Capscrew, 3/8 NC x 5/8	23	1	669957	Plate
8	2	667911	Cylinder ▲	24	1	669693	Bumper - Lower
9	2	7861	Roll Pin - Inner	25	4	6205	Washer, 1/2 ID
10	2	7962	Roll Pin - Outer	26	4	640013	Capscrew, 1/2 NC x 1-3/4 GR5
11	1	667904	Frame - Upper	27	2	602580	Fitting, 8
12	8	667910	Washer, 1/2 ID	28	2	611288	Fitting, 6-8
13	8	667909	Capscrew, 1/2 NC x 3.00	29	■	675326	Shim Kit
14	1	672330	Bumper	30	4	15254	Nut
15	2	665707	Nut	31	1	674166	Frame - Lower
16	2	3659	Capscrew, 1/2 NC x 1.50			669762	Valve Assembly ●

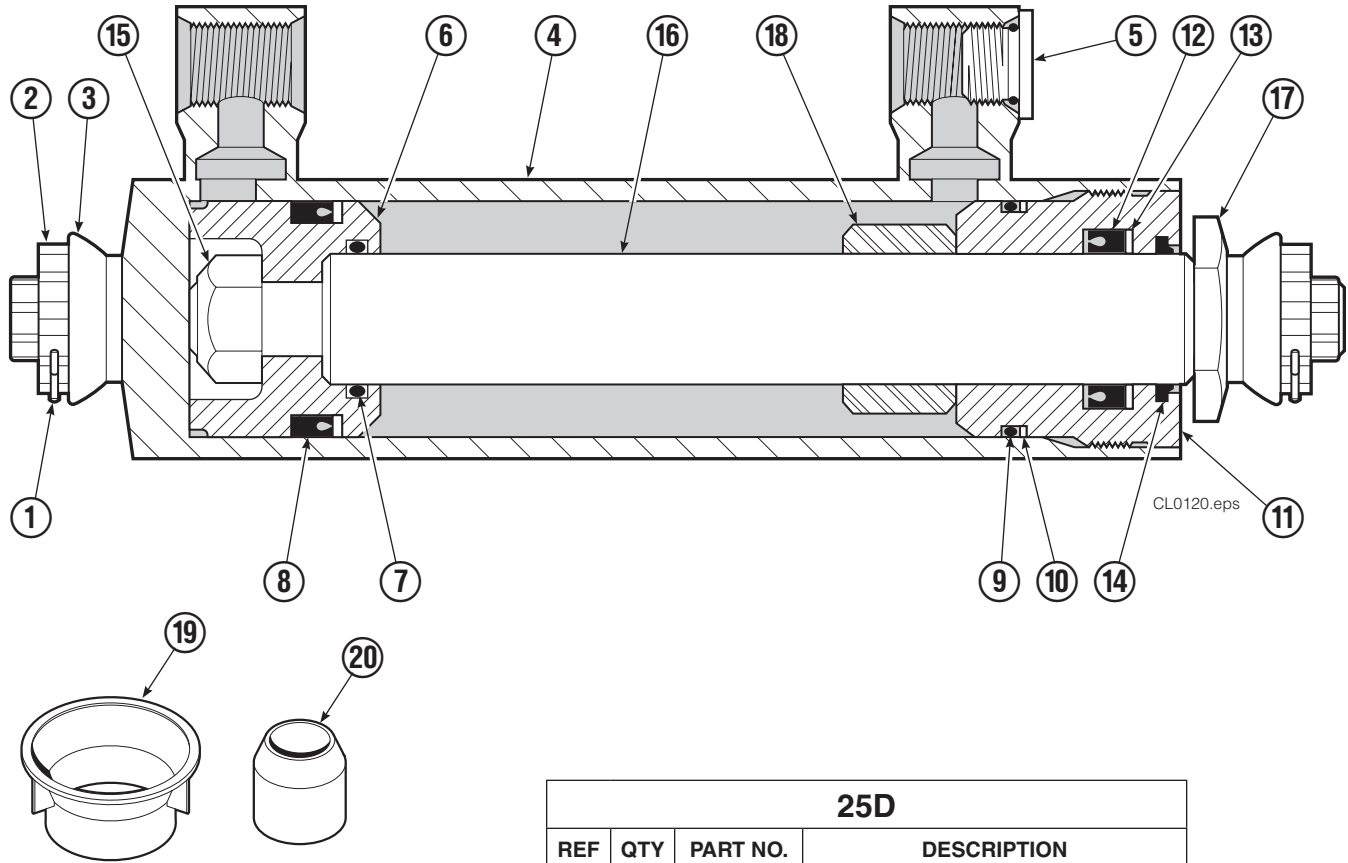
▲ See Cylinder page for parts breakdown.

Reference: Basic Group 669915, S-2902.

■ Includes two .015" Shims, and eight .020" Shims.

● See Valve Assembly page for parts breakdown.

# Cylinder Assembly



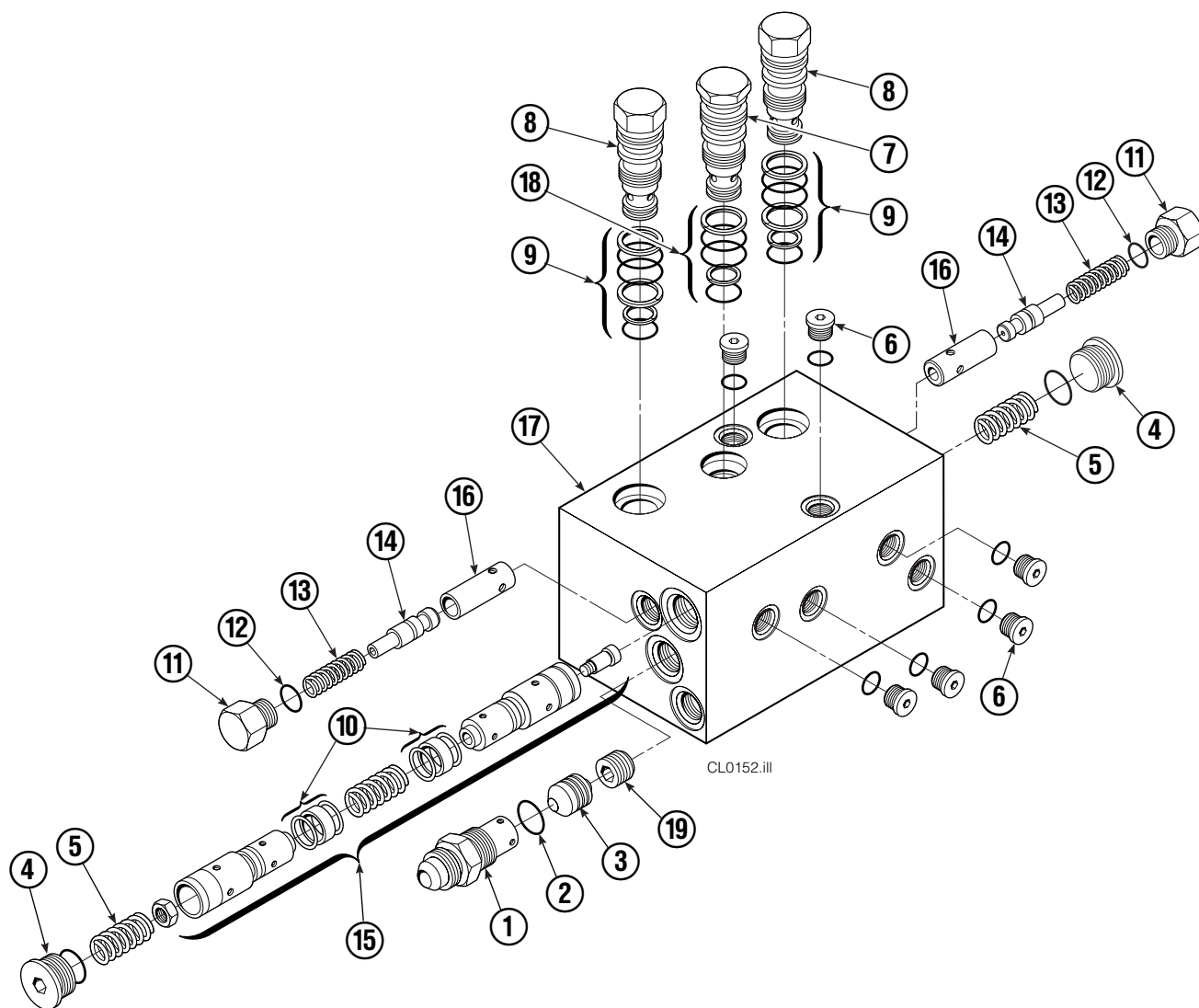
25D			
REF	QTY	PART NO.	DESCRIPTION
		670219	Cylinder Assembly
1	2	6510	■ Cotter Pin
2	2	667624	■ Nut Retainer
3	2	667625	■ Nut
4	1	553756	Shell
5	1	602580	Fitting
6	1	558200	Piston
7	1	2716	◆ O-Ring
8	1	662452	◆ Seal
9	1	2785	◆ O-Ring
10	1	615128	◆ Back-Up Ring
11	1	563906	Retainer
12	1	662448	◆ Seal
13	1	638243	◆ Nylon Ring
14	1	636853	◆ Wiper
15	1	667623	Nut
16	1	667914	Rod
17	1	667626	Washer
18	1	—	Spacer
19	1	671047	◆ Seal Loader, Piston
20	1	671051	◆ Seal Loader, Retainer
		668021	Service Kit

■ Included in Nut Service Kit 668926.

◆ Included in Service Kit 668021.

Reference: S-7605, S-7658.

# Check Valve



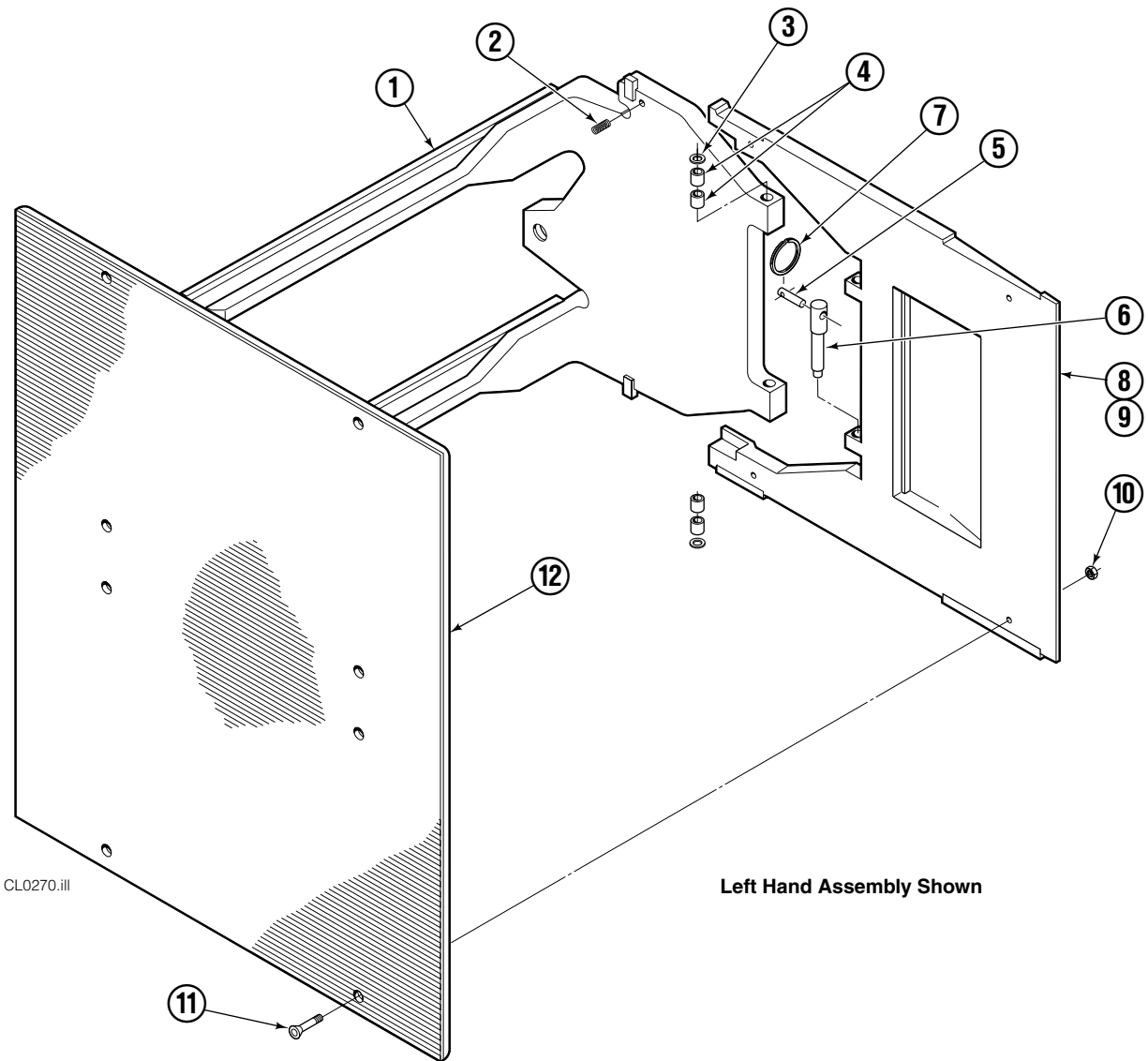
REF	QTY	PART NO.	DESCRIPTION	REF	QTY	PART NO.	DESCRIPTION
		669762	Check Valve – Flow Divider	11	2	667494	Fitting
1	1	667490	Special Fitting	12	2	2840	O-Ring ●
2	1	2841	O-Ring ●	13	2	673098	Spring
3	1	667471	Spool	14	2	667492	Poppet
4	2	609453	Fitting, 10	15	1	673089	Spool Assembly
5	2	667487	Spring	16	2	667491	Sleeve
6	6	604510	Fitting, 6	17	1	669763	Valve Body
7	1	678270	Check Valve – VPO	18	1	661347	Service Kit ●
8	2	659058	Check Valve – PO	19	1	676343	Regeneration Elimination Plug ■
9	2	667516	Service Kit ●			667513	Service Kit
10	1	679846	Low Flow Spool Kit				

● Included in Service Kit 667513.

■ For eliminating regeneration circuit only. See Tech. Bulletin 121.

Reference: SK-5302.

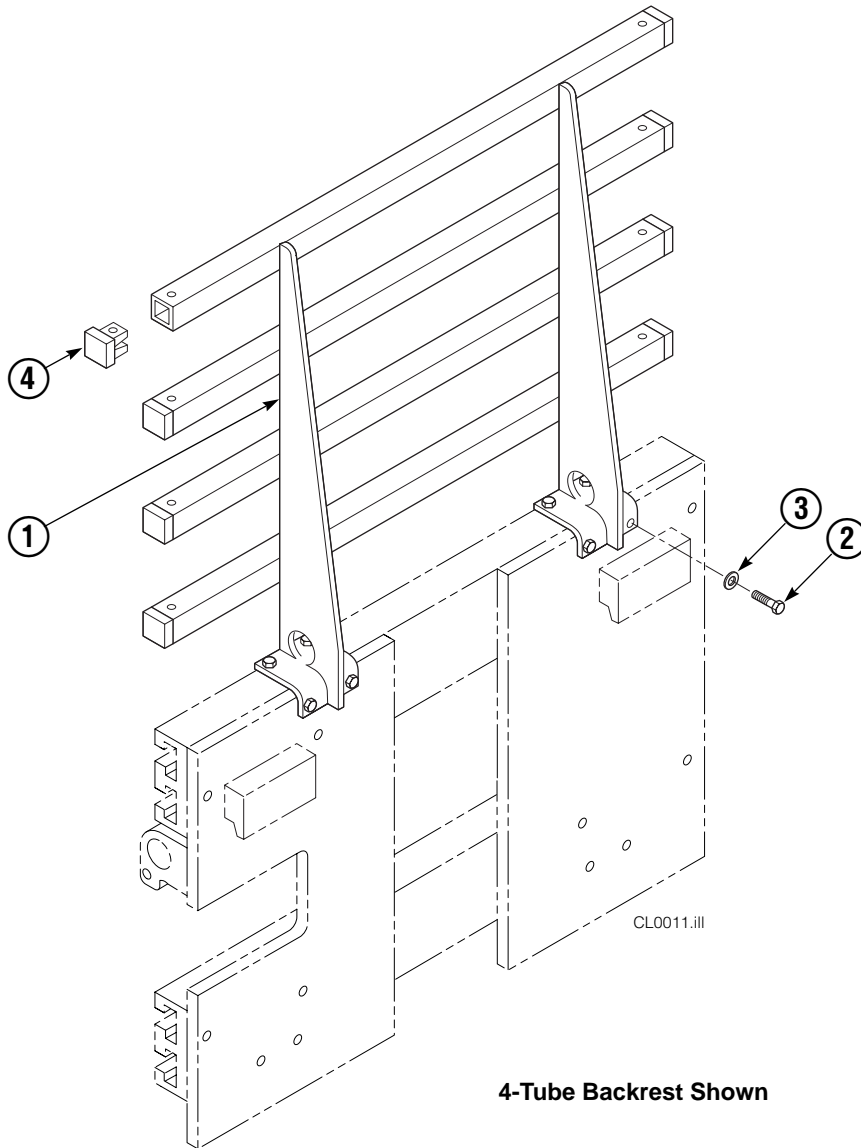
# Contact Pad and Arm



35D			
REF	QTY	PART NO.	DESCRIPTION
1	1	669911	Arm – R.H.
1	1	669911	Arm – L.H.
2	2	661212	Spring
3	4	669694	Washer
4	8	639277	Bushing
5	4	669687	● Pin
6	4	674378	Pin
7	4	7189	● Snap Ring
8	1	674334	Stabilizer – R.H.
9	1	674330	Stabilizer – L.H.
10	8	550218	Nut
11	8	4672	Capscrew, .5 NF x 1.25 GR8
12	2	669941	Contact Pad

● Included in Service Kit 674191.  
 Reference: 669915 Basic Group, S-2902, S-2909,  
 S-3007, S-3008, S-7762.

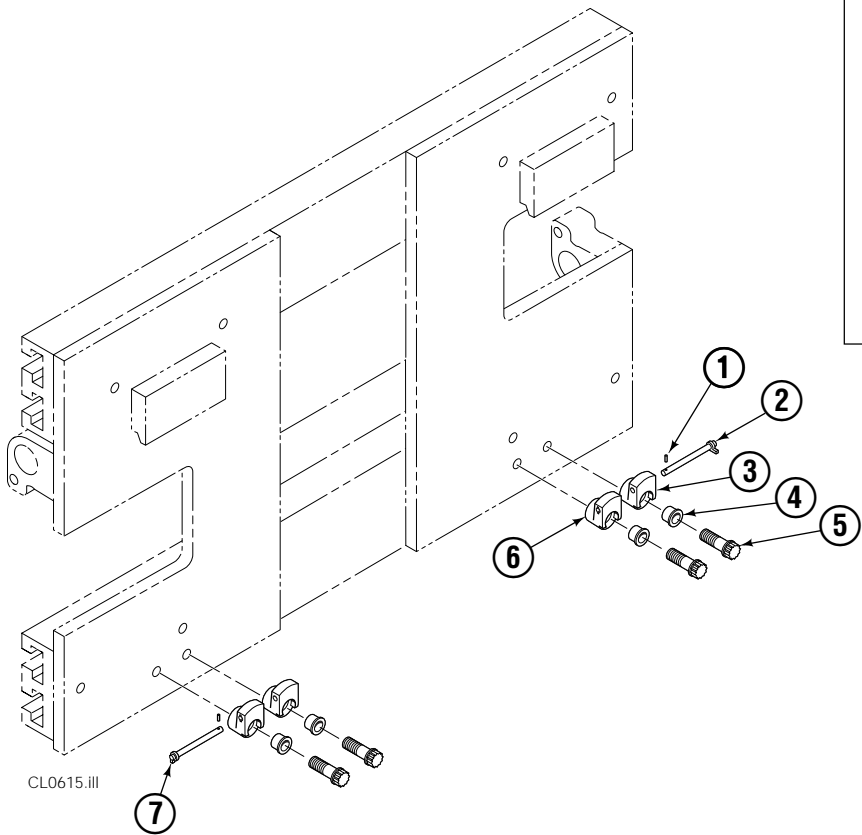
# Backrest Group



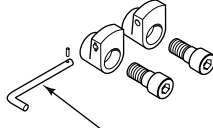
REF	QTY	PART NO.	DESCRIPTION
		669766	Backrest Group
1	1	669897	Backrest
2	8	677828	Capscrew, 1/2 NC x 1.25
3	8	667910	Washer, 1/2 in. ID
4	▲	674356	Tube End

▲ As required.

# Quick Change Mounting Group



CL0615.iii


  
 Lock Pin

Replacement parts for the Quick Disconnect Mounting Group shown here are not available except for the lock pins which are interchangeable with the new design. For service replacement of all other parts order the appropriate Lower Hook Group below.

Class II			
REF	QTY	PART NO.	DESCRIPTION
		667685	Lower Hook Group
1	2	667358	Roll Pin
2	1	672223	Lock Pin - LH
3	2	672177	Lower Hook, Outer
4	4	672178	Bushing
5	4	672059	Capscrew
6	1	672176	Lower Hook, Inner
7	1	672181	Lock Pin - RH



**Do you have questions you need answered right now?** Call your nearest Cascade Parts Department. Visit us online at [www.cascorp.com](http://www.cascorp.com)

**Cascade Corporation  
U.S. Headquarters**  
2201 NE 201st  
Fairview, OR 97024-9718  
Tel: 800-CASCADE (227-2233)  
FAX: 888-329-8207

**Cascade Canada Inc.**  
5570 Timberlea Blvd.  
Mississauga, Ontario  
Canada L4W-4M6  
Tel: 905-629-7777  
FAX: 905-629-7785

**Cascade GmbH**  
Niederwippekühl 1  
58579 Schalksmühle  
Germany  
Tel: 02355-50900  
FAX: 02355-509020

**Cascade Finland**  
A. Petreliuksenkatu 3  
01370 Vantaa  
Finland  
Tel: 09-8361925  
FAX: 09-8361935

**Cascade N.V.  
Benelux Sales and Service**  
Damsluisweg 56  
PO Box 3009  
1300 El Almere  
The Netherlands  
Tel: 036-5492950  
FAX: 036-5492974

**Cascade Kenhar Ltd.**  
3 Kelbrook Road  
Parkhouse Ind. Estate  
Openshaw,  
Manchester M11 2DD  
England  
Tel: 0800-243015  
FAX: 0161-4384055

**Sales Scotland  
Macade Systems Ltd.**  
18 Melford Road  
Righead Ind. Estate  
Bellshill ML4 3LR  
Scotland  
Tel: 01698-845777  
FAX: 01698-845888

**Cascade (Africa) Pty. Ltd.**  
PO Box 625, Isando 1600  
60A Steel Road  
Sparton, Kempton Park  
South Africa  
Tel: 27-11-975-9240  
FAX: 27-11-394-1147

**Cascade Scandinavia AB**  
Hammarvägen 10  
PO Box 124  
S-56723 Vaggeryd  
Sweden  
Tel: 039-336950  
FAX: 039-336959

**Cascade France  
S.A.R.L. MHP**  
1D Rue De Charaintru BP 18,  
91360 Epinay-Sur-Orge  
France  
Tel: 01-6454-7500  
FAX: 01-6454-7501

**Cascade Hispania S.A.**  
Carrer 5, Sector C  
Zona Franca Duanera  
Poligono de la Zona Franca  
08040 Barcelona, Spain  
Tel: 93-264-07-30  
FAX: 93-264-07-31

**Cascade Italia S.R.L.**  
Via Dell'Artigianato 1  
37050 Vago di Lavagno (VR)  
Italy  
Tel: 39-045-8989111  
FAX: 39-045-8989160

**Movimenta Lda.**  
Parque Industrial  
Vale do Alecrim, Lote 108  
2950-403 Palmela  
Portugal  
Tel: 351-212387340  
FAX: 351-212387349

**Sales Switzerland  
Fahrzeugbedarf**  
8810, Horgen  
Switzerland  
Tel: 01-7279797  
FAX: 01-7279798

**Sales Poland**  
Targowa 35/61  
03-728 Warszawa  
Tel: 022-619 00 49  
FAX: 022-619 00 49  
Mobile Tel: 0501-27 29 55

**Sales Russia**  
EMCG Material Handling  
Equipment  
Moscow  
Tel: 095-795-2400  
FAX: 095-795-2475  
Email: [emcg@emcg.ru](mailto:emcg@emcg.ru)

**Cascade Japan Ltd.**  
5-5-41,  
Torikai Kami  
Settsu, Osaka  
Japan, 566  
Tel: 81-726-53-3490  
FAX: 81-726-53-3497

**Cascade Korea**  
121B 9L Namdong Ind.  
Complex, 691-8 Gojan-Dong  
Namdong-Ku  
Inchon, 405-310 Korea  
Tel: 82-32-821-2051  
FAX: 82-32-821-2055

**Cascade Australia**  
1445 Ipswich Road  
Rocklea, QLD 4107  
Australia  
Tel: 1-800-227-223  
FAX: 617-3373-7333

**Cascade New Zealand**  
15 Ra Ora Drive  
East Tamaki, Auckland  
New Zealand  
Tel: 64-9-273-9136  
FAX: 64-9-273-9137

**Cascade-Xiamen**  
No. 668 Yangguang Rd.  
Xinyang Industrial Zone  
Haicang, Xiamen City  
Fujian Province  
P.R. China 361026  
Tel: 86-592-651-2500  
FAX: 86-592-651-2571

**Sunstream Industries  
Pte Ltd.**  
No. 3 Tuas Link 1  
2263  
Singapore  
Tel: 65-6863-3488  
FAX: 65-6863-1368

**Cascade do Brasil  
Distribuidora de Garras  
e Garfos LTDA**  
Rua João Guerra, 134  
Macuco, Santos - SP  
Brasil 11015-130  
Tel: 55-13-2105-8800  
Fax: 55-13-2105-8899

