



Parts Manual

Model _____ **Fork Positioner**

Serial Number _____ **100F-HS-041**

cascade®

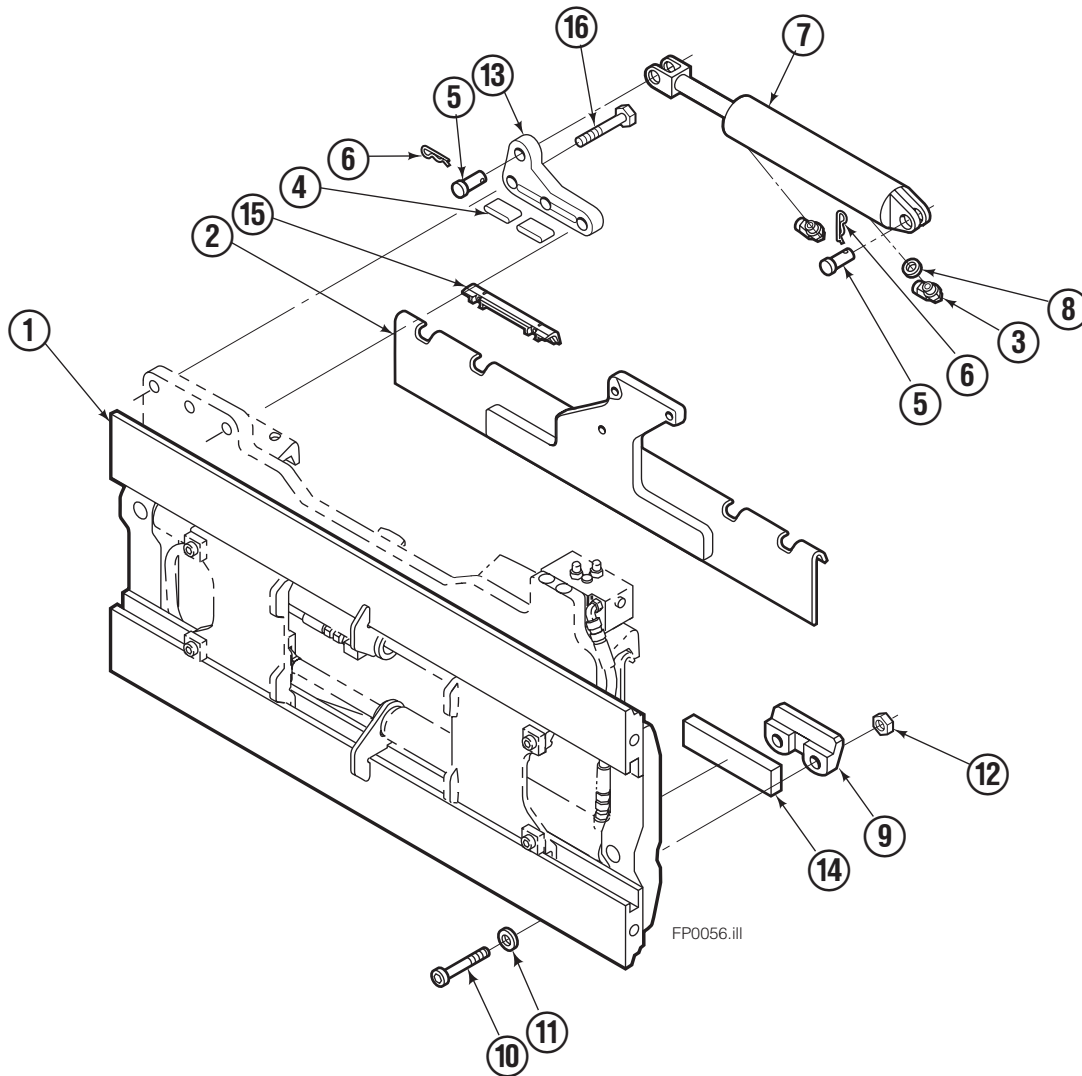
For Technical Assistance call: 800-227-2233, Fax: 888-329-8207

To Order Parts call: 888-227-2233, Fax: 888-329-0234

OR

Write: Cascade Corporation, P.O. Box 20187, Portland, OR 97220

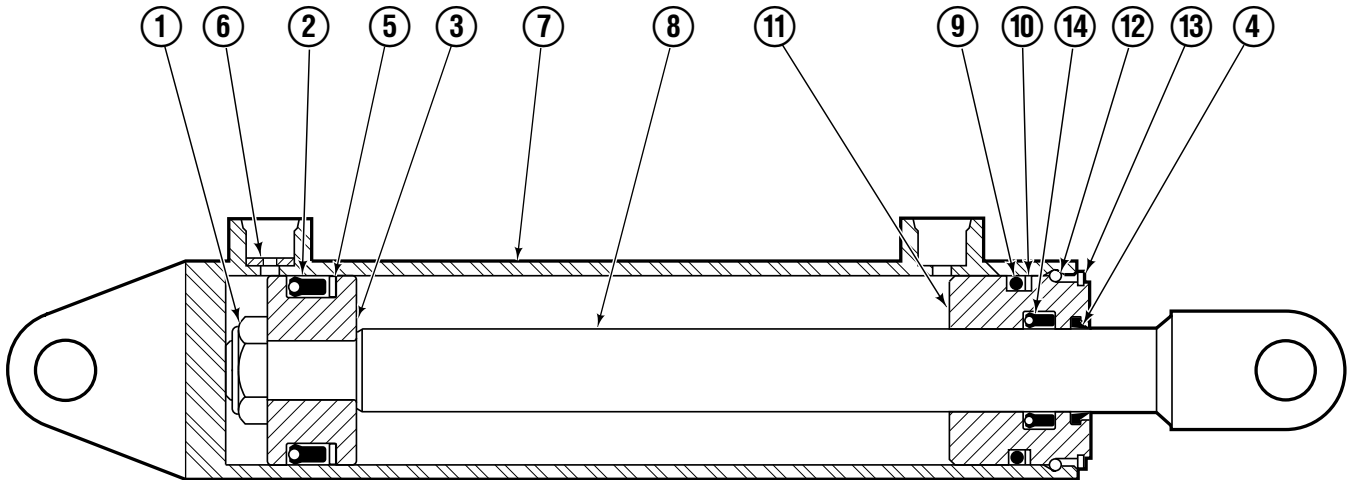
Mounting Group Sideshifting



100F							
REF	QTY	PART NO.	DESCRIPTION	REF	QTY	PART NO.	DESCRIPTION
		209452●	Sideshifting Mounting-61" ■	9	2	204186	Lower Hook
1	1	380752	Frame-61" ■	10	4	766154	Capscrew, M16x2,0x40-8.8
2	1	209395	Anchor Bracket-61" ■	11	4	667225	Washer
3	2	601676	Fitting, 6-6	12	4	678990	Nut
4	2	209542	Key, M10x8x63	13	1	209309	Lug
5	2	678528	Clevis Pin	14	2	208350	Lower Bearing
6	2	672726	Hairpin Cotter	15	2	672018	Upper Bearing
◆7	1	676649	Cylinder Assembly	16	3	752907	Capscrew, M20x50 Lg-8.8
8	1	675550	Washer (orifice .085)				

- Carriage width.
- Includes items 2 through 17.
- ◆ See Cylinder page for parts breakdown.

Sideshift Cylinder

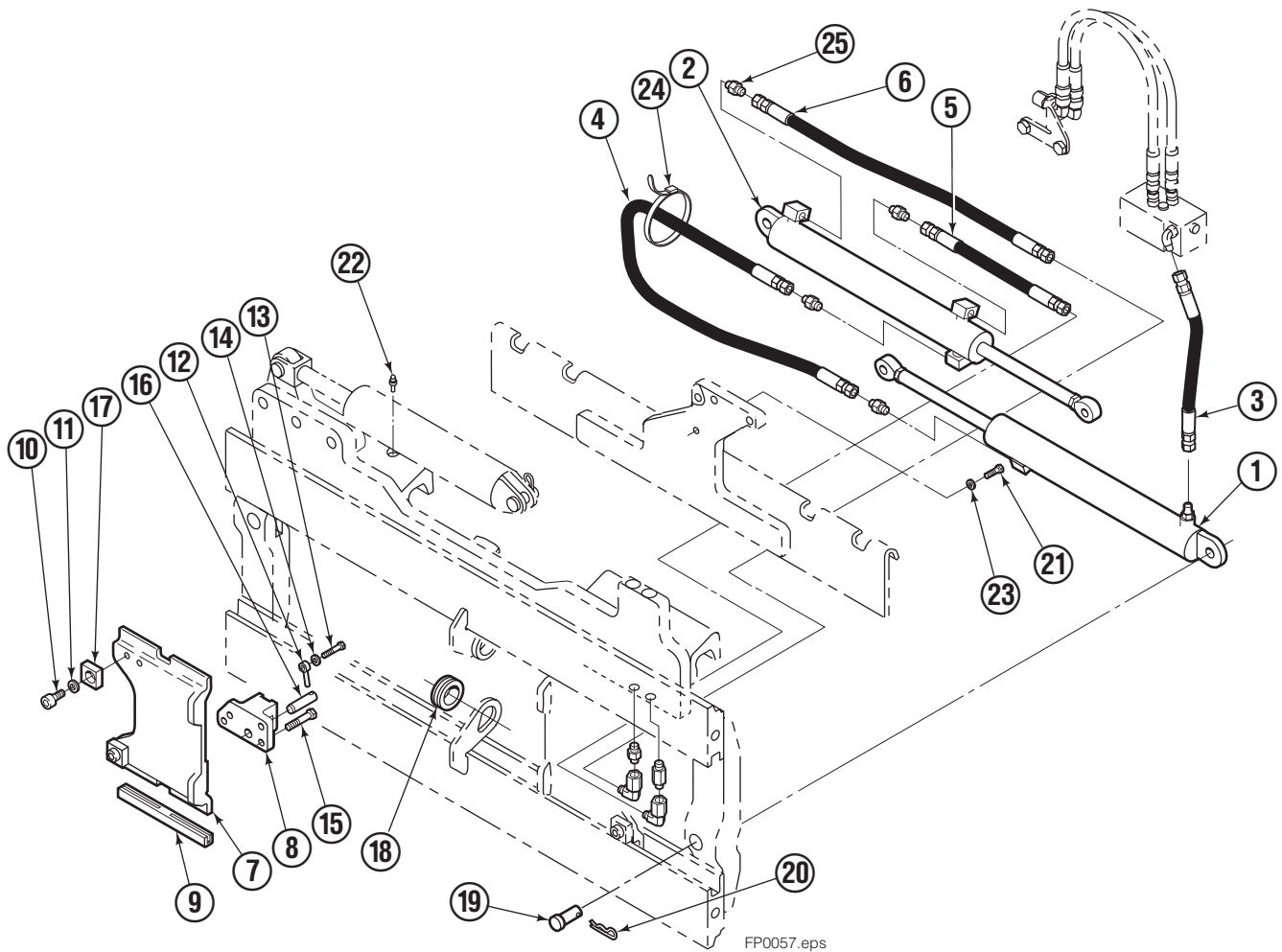


FP0029.ill

100F			
REF	QTY	PART NO.	DESCRIPTION
		676649	Cylinder Assembly
1	1	553717	Nut
■ 2	1	662456	Seal
3	1	553527	Piston
■ 4	1	636852	Wiper
■ 5	1	649817	Back-up Ring
6	1	675550	Washer (orifice .085)
7	1	676776	Shell
8	1	553530	Rod
■ 9	1	2789	O-Ring
■ 10	1	615132	Back-up Ring
11	1	553528	Retainer
12	1	553688	Retaining Ring
13	1	7211	Snap Ring
■ 14	1	662447	Seal
		553866	Service Kit

■ Included in Service Kit 553866.

Hydraulic/Fork Group



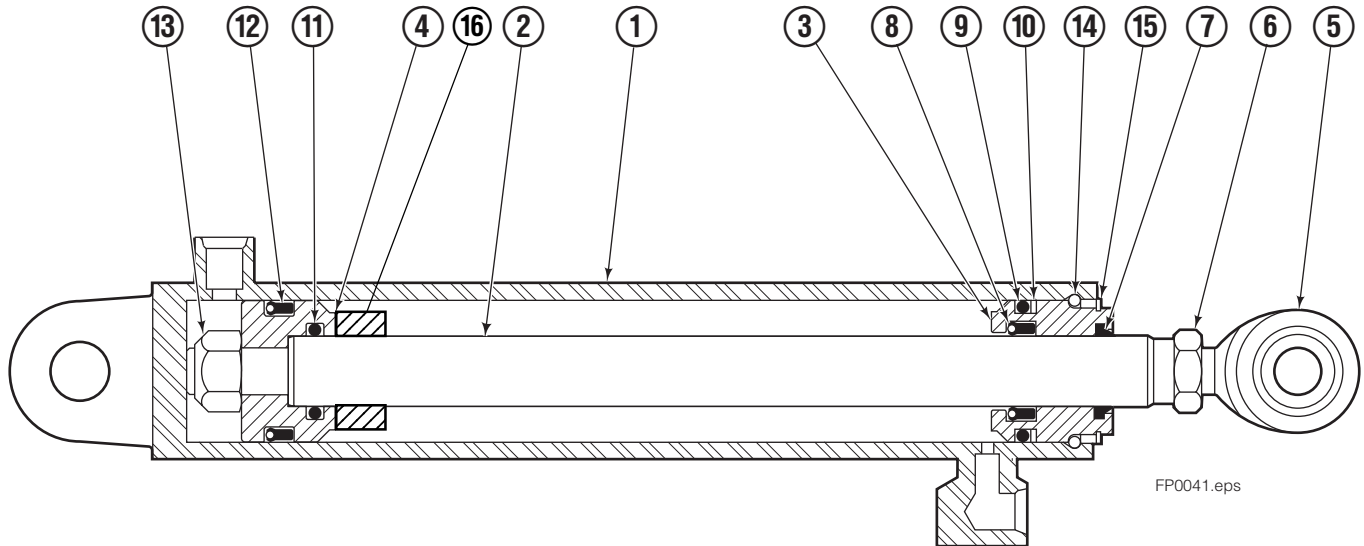
100F

REF	QTY	PART NO.	DESCRIPTION	REF	QTY	PART NO.	DESCRIPTION
		●380753	Hydraulic Group-61" ■	13	2	763169	Capscrew
		□209502	Fork Group	14	2	680217	Lockwasher
◆1	1	381692	Cylinder Assembly L. H. 61" ■	15	8	681370	Capscrew
▼2	1	381693	Cylinder Assembly R. H. 61" ■	16	2	209308	Pin
3	1	381691	Hose-61" ■	17	4	209306	Block
4	1	686472	Hose-61" ■	18	2	209305	Grommet
5	1	209528	Hose	19	2	661675	Clevis Pin
6	1	209531	Hose-61" ■	20	2	672726	Hairpin Cotter
7	2	379391	Fork Carrier	21	1	763022	Capscrew
8	2	209280	Lug	22	2	7403	Grease Fitting
9	4	209303	Bearing	23	1	681238	Lockwasher
10	4	768838	Capscrew	24	1	200008	Cable Tie
11	4	678992	Lockwasher	25	5	604511	Fitting, 6-6
12	2	206923	Eyebolt				

- ◆ Carriage width.
- ◆ See Left Hand Cylinder page for parts breakdown.
- ▼ See Right Hand Cylinder page for parts breakdown.

- Includes items 1 through 6.
- Includes items 7 through 25.

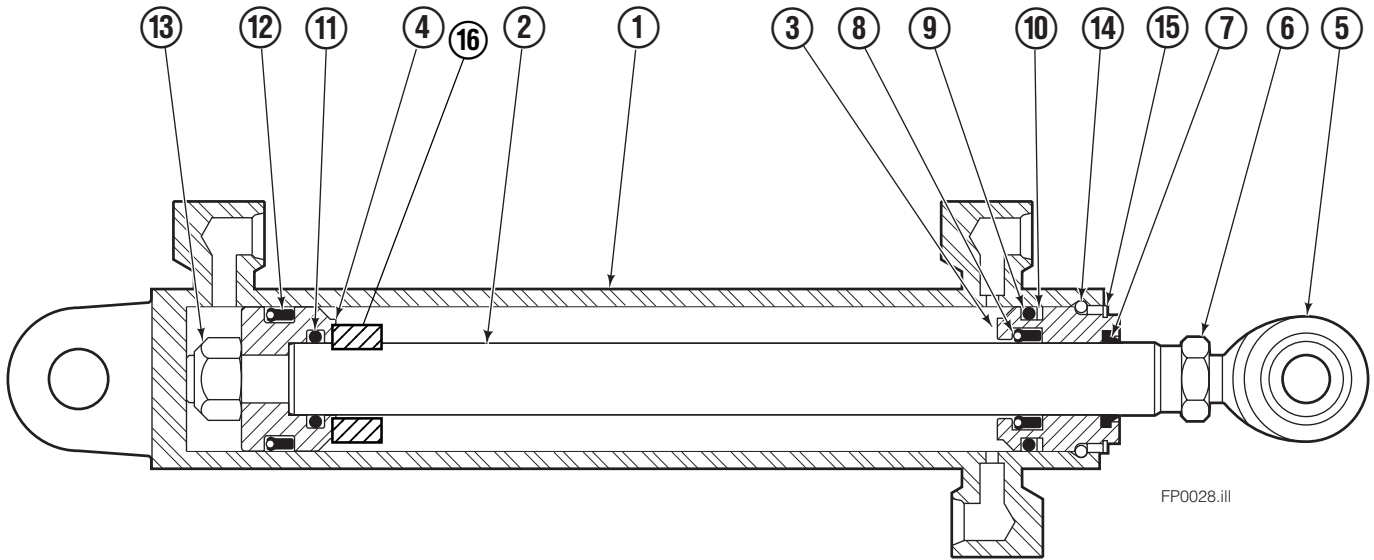
Left Hand Cylinder



100F			
REF	QTY	PART NO.	DESCRIPTION
		---	Cylinder Assembly-41"■
		---	Cylinder Assembly-49"■
		381692	Cylinder Assembly-61"■
1	1	---	Shell-41"■
1	1	---	Shell-49"■
1	1	382813	Shell-61"■
2	1	---	Rod-41"■
2	1	---	Rod-49"■
2	1	564495	Rod-61"■
3	1	564451	Retainer
4	1	562056	Piston
5	1	564452	Rod End
6	1	5721	Nut
● 7	1	564408	Rod Wiper
● 8	1	564406	Rod Seal
● 9	1	562127	O-Ring
● 10	1	563388	Back-up Ring
● 11	1	563278	O-Ring
● 12	1	564141	Piston Seal
13	1	678019	Piston Nut
14	1	562942	Retaining Ring
15	1	562951	Snap Ring
16	1	---	Spacer
		564453	Service Kit

- Carriage width.
- Included in Service Kit 564453.

Right Hand Cylinder

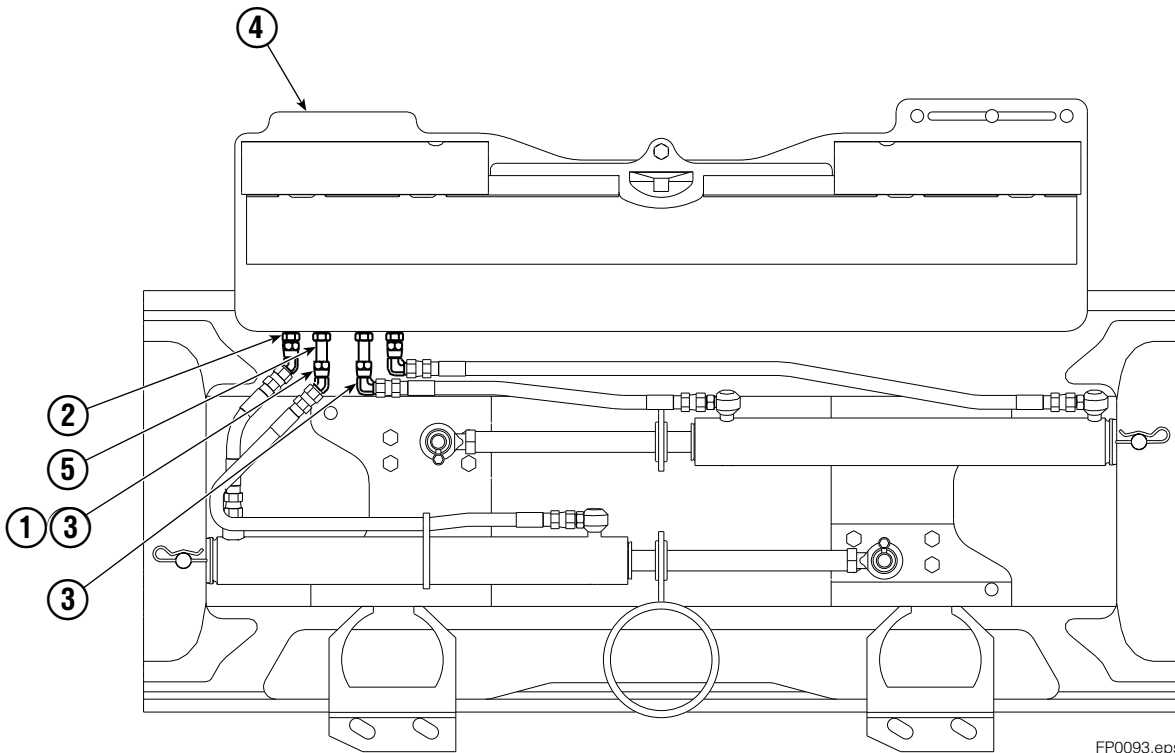


100F

REF	QTY	PART NO.	DESCRIPTION
		---	Cylinder Assembly-43"■
		---	Cylinder Assembly-49"■
		381693	Cylinder Assembly-61"■
1	1	---	Shell-43"■
1	1	---	Shell-49"■
1	1	382814	Shell-61"■
2	1	---	Rod-43"■
2	1	---	Rod-49"■
2	1	564495	Rod-61"■
3	1	564451	Retainer
4	1	562056	Piston
5	1	564452	Rod End
6	1	5721	Nut
● 7	1	564408	Rod Wiper
● 8	1	564406	Rod Seal
● 9	1	562127	O-Ring
● 10	1	563388	Back-up Ring
● 11	1	563278	O-Ring
● 12	1	564141	Piston Seal
13	1	678019	Piston Nut
14	1	562942	Retaining Ring
15	1	562951	Snap Ring
16	1	-	Spacer
		564453	Service Kit

- Carriage width.
- Included in Service Kit 564453.

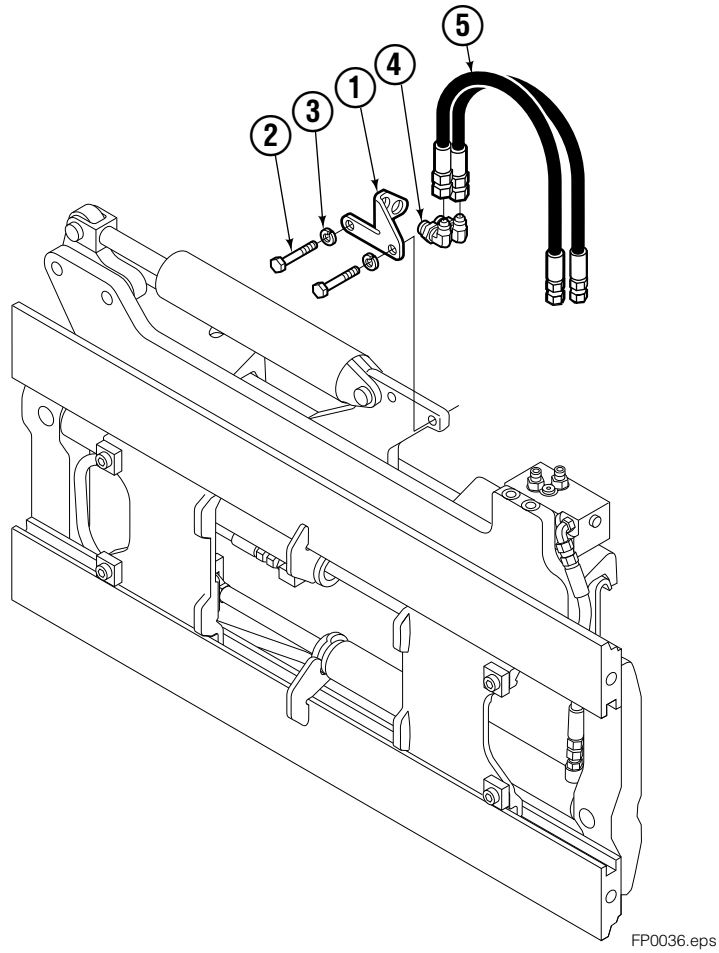
Flow Divider Group



FP0093.eps

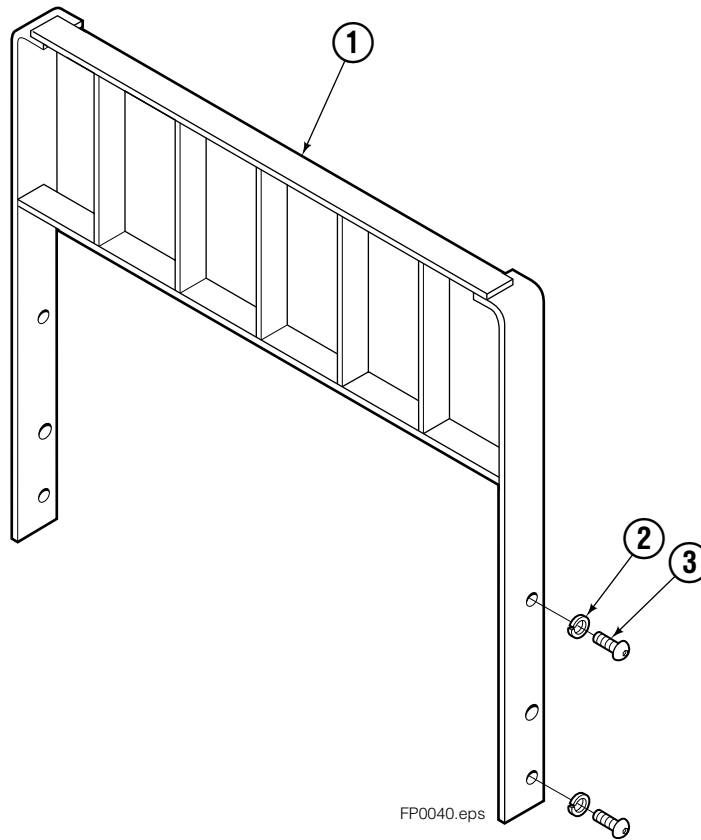
100F			
REF	QTY	PART NO.	DESCRIPTION
		380754	Flow Divider Group
1	2	207300	O-Ring
2	6	604511	Fitting, 6-6
3	4	2680	Fitting, 6-6, 90
4	2	604510	Fitting, 6
5	2	605743	Fitting, 6-6

Standard Installation Group



100F			
REF	QTY	PART NO.	DESCRIPTION
		209506	Installation Group
1	1	207314	Bracket
2	2	762899	Cap screw, M10X20-8.8
3	2	681238	Lockwasher
4	2	2453	Fitting, 8-8
5	2	207425	Hose

Backrest



100F			
REF	QTY	PART NO.	DESCRIPTION
1	1	209478	Backrest-61"x48" in. (1550x1219 mm)■
2	4	684586	Lockwasher
3	4	200173	Capscrew

■ Width by Height.

Ref: S-4098

Do you have questions you need answered right now? Call your nearest Cascade Parts Department.

Cascade Corporation
2501 Sheridan Avenue
Springfield, OH 45505
Tel: 888-CASCADE (227-2233)
FAX: 888-329-0234

Cascade Canada Inc.
5570 Timberlea Blvd.
Mississauga, Ontario
Canada L4W-4M6
Tel: 905-629-7777
FAX: 905-629-7785

Cascade GmbH
D-41199 Monchengladbach
Klosterhofweg 52
Germany
Tel: 21-66-602091
FAX: 21-66-680947

Cascade Finland
01370 Vantas
Finland
Tel: 358-0-836-1925
FAX: 358-0-836-1935

**Cascade N.V.
European Headquarters**
P.O. Box 3009
1300 El Almere
Damsluisweg 56
1332 ED Almere
The Netherlands
Tel: 31-36-5492911
FAX: 31-36-5492964

**Cascade N.V.
Benelux Sales and Service**
P.O. Box 3009
1300 El Almere
Damsluisweg 56
1332 ED Almere
The Netherlands
Tel: 31-36-5492950
FAX: 31-36-5492974

Cascade (UK) Ltd.
15, Orgreave Crescent
Dore House Industrial Estate
Handsworth
Sheffield S13 9NQ
England
Tel: 742-697524
FAX: 742-695121

**Cascade Scandinavia
Hydraulik A.B.**
Muskötgatan 19, E8-9
S25466 Helsingborg
Sweden
Tel: 42-151135
FAX: 42-152997

Cascade Norway
Østerliveien 37A
1153 Oslo
Norway
Tel: 47-22-743160
FAX: 47-22-743157

Cascade France S.A.R.L.
11, Rue Jean Charcot
Zone Industrielle Sud or
B.P. 22
91421 Morangis Cedex
France
Tel: 1- 64547501
FAX: 1-9790584

Cascade Hispania S.A.
Avenida De La Fabregada, 7
Hospitalet De Llobregat
Barcelona
Spain
Tel: 3-335-5158
FAX: 3-335-4756

Cascade Japan Ltd.
5-5-41,
Torikai Kami
Settsu, Osaka
Japan, 566
Tel: 81-726-53-3490
FAX: 81-726-53-3497

Cascade Korea
Room 508, Pum Yang Bldg.
750-14, Bang Bac-Dong
Se-Cho Ku, Seoul
Korea
Tel: 2599-7131 ext. 512
FAX: 2533-8089

HYCO-Cascade Pty. Ltd.
87 Antimony Street
Carole Park,
Brisbane 4300
Australia
Tel: 7-271-1966
FAX: 7-271-3830

HYCO-Cascade (NZ) Ltd.
15 Ra Ora Drive, East Tamaki
P.O. Box 38-440
Howick, Auckland
New Zealand
Tel: 9-273-9136
FAX: 9-273-9137

Cascade (Africa) Pty. Ltd.
P.O. Box 625, Isando 1600
60A Steel Road
Sparton, Kempton Park
South Africa
Tel: 975-9240
FAX: 394-1147

Cascade-Xiamen
Wanshan No. 1 Workshop
Huli Road
Xiamen 361006
Fujian, PRC
Tel: 592-562-4600
FAX: 592-562-4671

**Cascade (Singapore)
Trading Co.**
Four Seasons Park
Autumn Block - Apt. 1802
12 Cascaden Walk
Singapore
Tel: 65-834-1935
FAX: 65-834-1936

