

*P*ARTS MANUAL

C-Series

Fork Positioners

Product Model Numbers

55C-FPB-A001

55C-FPB-A002

55C-FPB-A003

100C-FPB-B001

100C-FPB-B002

100C-FPB-B003

120C-FPB-C001

120C-FPB-C002

120C-FPB-C003

150C-FPB-C001

150C-FPB-C002

150C-FPB-C003

150C-FPB-C004

Special Engineered Options Not Included

Manual Number 6008709 R-0

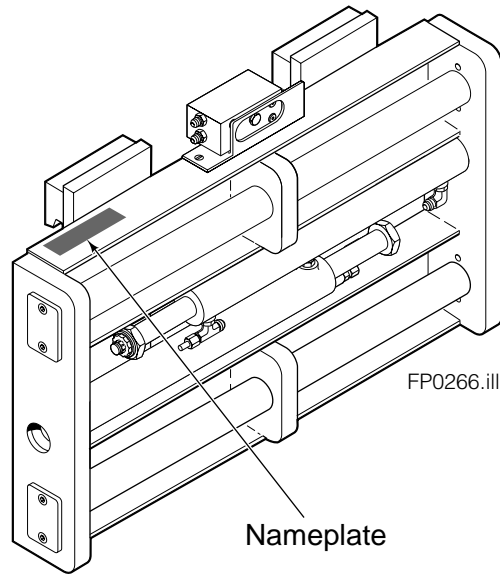
cascade[®]

Cascade is a Registered Trademark of Cascade Corporation

About This Manual

Introduction

This manual shows the parts breakdown for specific C-Series Fork Positioner model numbers. To find the correct pages for your attachment, locate the nameplate attached to the top of the frame on the right side. If the nameplate is missing all necessary information is stamped into the frame at the same location. Locate your model number on the following pages. To the right of the model number you will find the page numbers that apply to your attachment.



Ordering Parts

Customers — Cascade parts, service literature and videos are available through authorized lift truck dealers. To order, contact the lift truck dealer of your choice.

Lift Truck Dealers — To order parts, service literature or videos contact:

Cascade Parts Depot
2501 Sheridan Avenue
Springfield, Ohio 45505
Telephone: 888-CASCADE (227-2233)
FAX: 888-329-0234

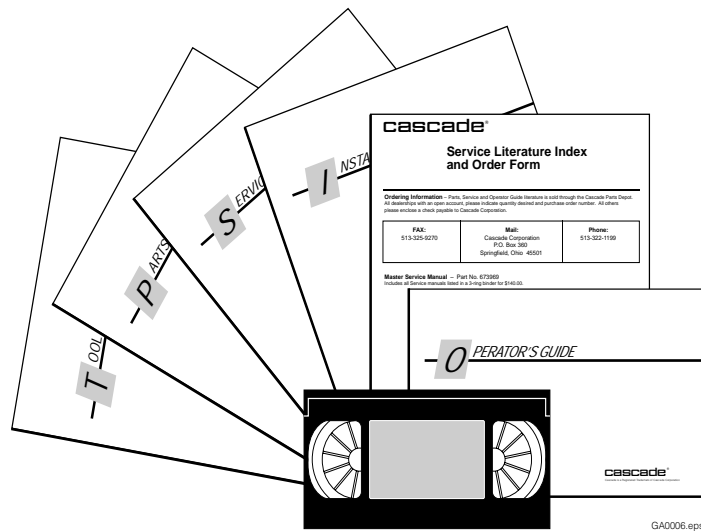


WARNING: For the safety of yourself and others, DO NOT install any parts, unless you have thoroughly reviewed the appropriate installation and service manuals. For additional information, call 1-800-CAS-CADE (227-2233)

Model Number Index

Model Number	Frame Group Page	Fork Positioner Cylinder Page	Valve Assembly Page	Restrictor Fitting Page	Fork Group Page	Mounting Group Page
55C-FPB-A001-00	1	4	6	6	7	8
55C-FPB-A002-00	1	4	6	6	7	8
55C-FPB-A003-00	1	4	6	6	7	8
100C-FPB-B001-00	2	5	6	6	7	8
100C-FPB-B002-00	2	5	6	6	7	8
100C-FPB-B003-00	2	5	6	6	7	8
120C-FPB-C001-00	3	5	6	6	7	8
120C-FPB-C002-00	3	5	6	6	7	8
120C-FPB-C003-00	3	5	6	6	7	8
150C-FPB-C001-00	3	5	6	6	7	8
150C-FPB-C002-00	3	5	6	6	7	8
150C-FPB-C003-00	3	5	6	6	7	8
150C-FPB-C004-00	3	5	6	6	7	8

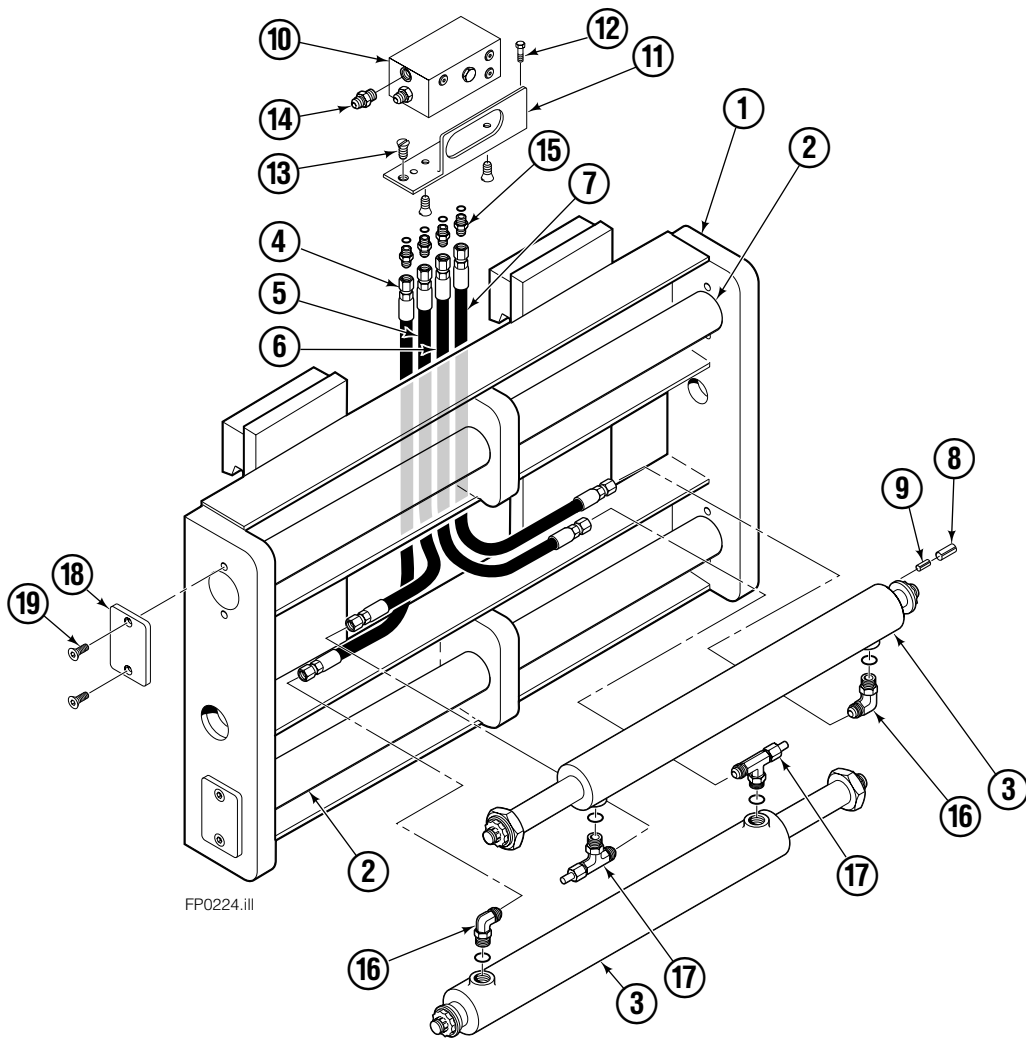
Publications



GA0006.eps

C-Series	
PART NO.	DESCRIPTION
6008709	Parts Manual
6009757	Service Manual
219989	Operators Guide
219990	Installation Instructions
680664	Servicing Cascade Cylinders-VHS
679929	Tool Catalog
673964	Literature Index Order Form

Frame Group



Items that vary with frame width

55C					
REF	QTY	36 in. PART NO.	42 in. PART NO.	48 in. PART NO.	DESCRIPTION
		214665	214666	214667	Frame Group
		384595	384602	384618	Hose Group - Items 4-7
1	1	829000	829006	829012	Frame
2	2	829039	829045	829051	Shaft
3	2	829013	829019	829025	Cylinder ◆
4	1	686472	675954	380315	Hose
5	1	875057	681231	681231	Hose
6	1	676084	681231	681231	Hose
7	1	675952	675954	380315	Hose

Common Items

REF	QTY	PART NO.	DESCRIPTION	REF	QTY	PART NO.	DESCRIPTION
8	2	7962	Roll Pin	14	1	601377	Fitting, 8-8
9	2	7861	Roll Pin	15	4	611288	Fitting, 6-8
10	1	668861	Valve ■	16	2	601676	Fitting, 6-6
11	1	844137	Bracket	17	2	617487	Restrictor ■
12	1	643524	Capscrew, .375 x .75	18	4	826150	Cover Plate ●
13	3	4750	Capscrew, .375 x .75	19	8	4751	Capscrew, .375 x 1.00 ●

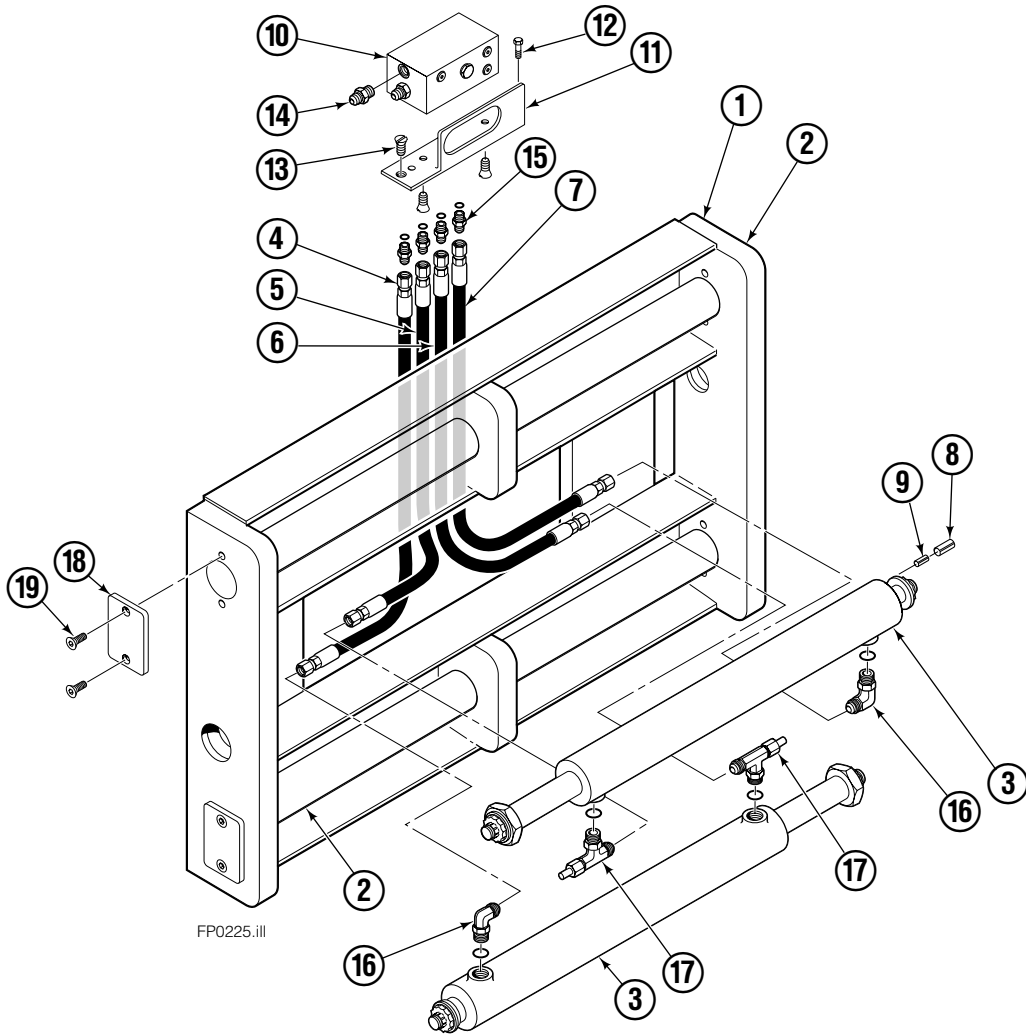
◆ See page 4 for parts breakdown.

■ See page 6 for parts breakdown.

Reference: Hydraulic Group 381232, S-8619, S-8704.

● Included in Retainer Group 214507.

Frame Group



Items that vary with frame width

100C					
REF	QTY	42 in. PART NO.	48 in. PART NO.	60 in. PART NO.	DESCRIPTION
		214711	214712	214714	Frame Group
		384612	384618	384630	Hose Group - Items 4-7
1	1	829119	829125	829137	Frame
2	2	829199	829205	829217	Shaft
3	2	383033	383034	383027	Cylinder ♦
4	1	382784	380315	209535	Hose
5	1	681231	681231	685673	Hose
6	1	681231	681231	685673	Hose
7	1	675954	380315	209535	Hose

Common Items

REF	QTY	PART NO.	DESCRIPTION	REF	QTY	PART NO.	DESCRIPTION
8	2	7961	Roll Pin	14	1	601377	Fitting, 8-8
9	2	7882	Roll Pin	15	4	611288	Fitting, 6-8
10	1	668861	Valve ■	16	2	601676	Fitting, 6-6
11	1	844137	Bracket	17	2	617487	Restrictor ■
12	1	643524	Capscrew, .375 x .75	18	4	826123	Cover Plate ●
13	3	4750	Capscrew, .375 x .75	19	8	4771	Capscrew, .375 x 1.00 ●

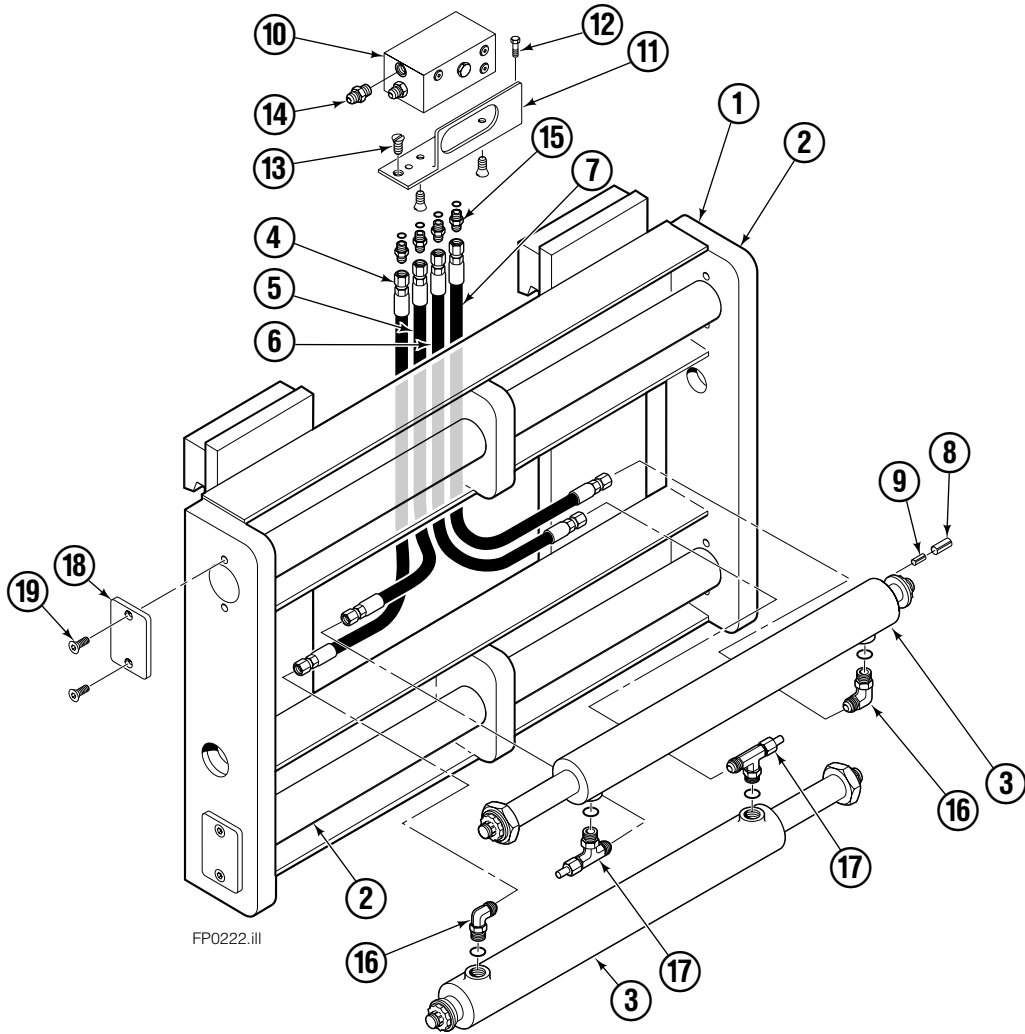
♦ See page 5 for parts breakdown.

■ See page 6 for parts breakdown.

Reference: Hydraulic Group 381520, S-8619, S-8704.

● Included in Retainer Group 214679.

Frame Group



Items that vary with frame width

120C/150C						
REF	QTY	48 in. PART NO.	54 in. PART NO.	60 in. PART NO.	72 in. PART NO.	DESCRIPTION
		214431	214432	214433	214434	Frame Group
		384618	384624	384630	384642	Hose Group - Items 4-7
1	1	840223	840224	840225	840249	Frame
2	2	830814	830820	830826	830837	Shaft
3	2	383034	384134	383027	384150	Cylinder ◆
4	1	380315	675067	209535	675057	Hose
5	1	681231	685673	685673	201264	Hose
6	1	681231	685673	685673	201264	Hose
7	1	380315	675067	209535	675057	Hose

Common Items

REF	QTY	PART NO.	DESCRIPTION	REF	QTY	PART NO.	DESCRIPTION
8	2	7961	Roll Pin	14	1	601377	Fitting, 8-8
9	2	7882	Roll Pin	15	4	611288	Fitting, 6-8
10	1	668861	Valve ■	16	2	601676	Fitting, 6-6
11	1	844137	Bracket	17	2	617487	Restrictor ■
12	1	643524	Capscrew, .375 x .75	18	4	830774	Cover Plate ●
13	3	4750	Capscrew, .375 x .75	19	8	4771	Capscrew, .375 x 1.00 ●

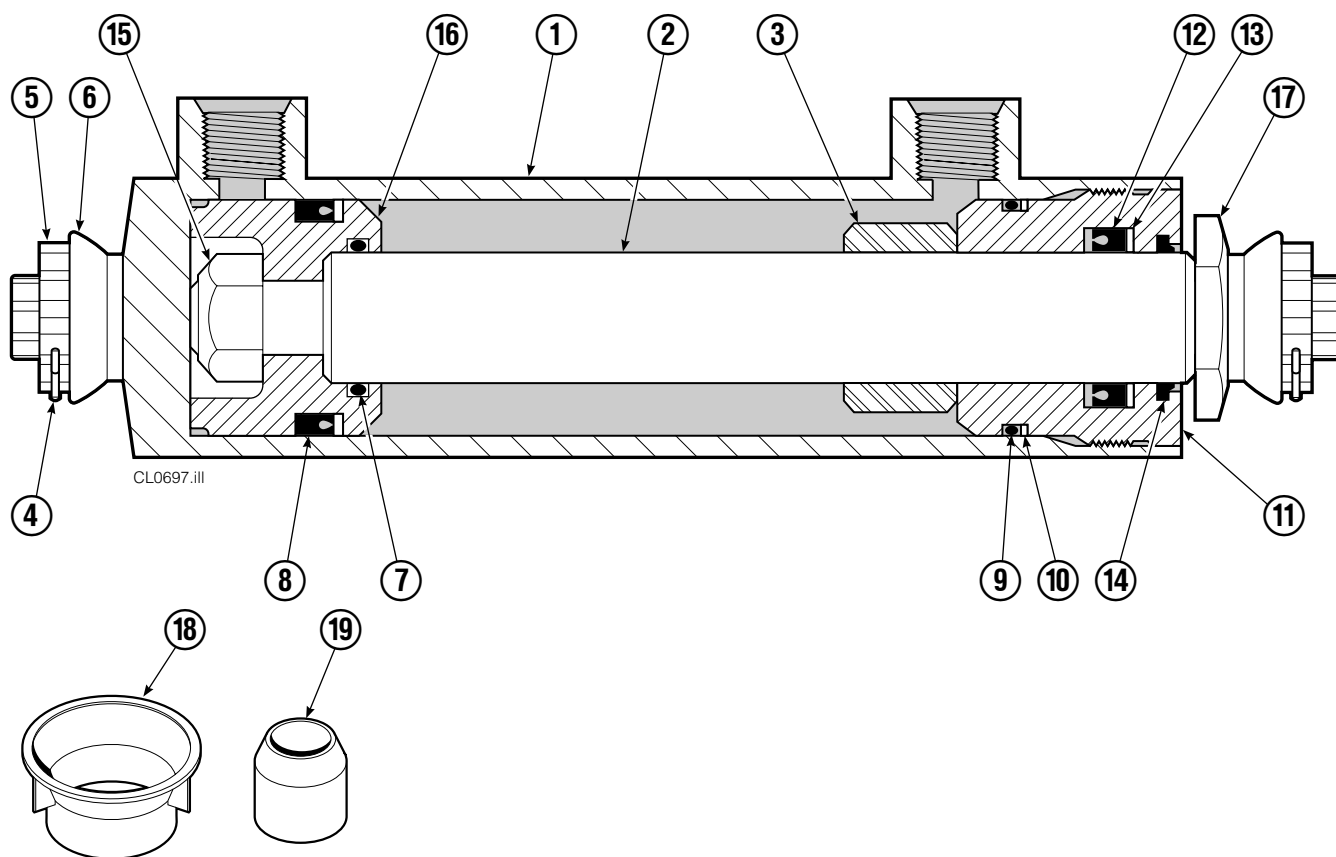
◆ See page 5 for parts breakdown.

■ See page 6 for parts breakdown.

Reference: Hydraulic Group 381520, S-8600, S-8704.

● Included in Retainer Group 214444.

Cylinder



Items that vary with frame width

55C					
REF	QTY	36 in.	42 in.	48 in.	DESCRIPTION
		PART NO.	PART NO.	PART NO.	
		829013	829019	829025	Cylinder Assembly
1	1	827354	827354	827354	Shell
2	1	829104	829110	829116	Rod
3	1	829054	829060	—	Spacer

Common Items

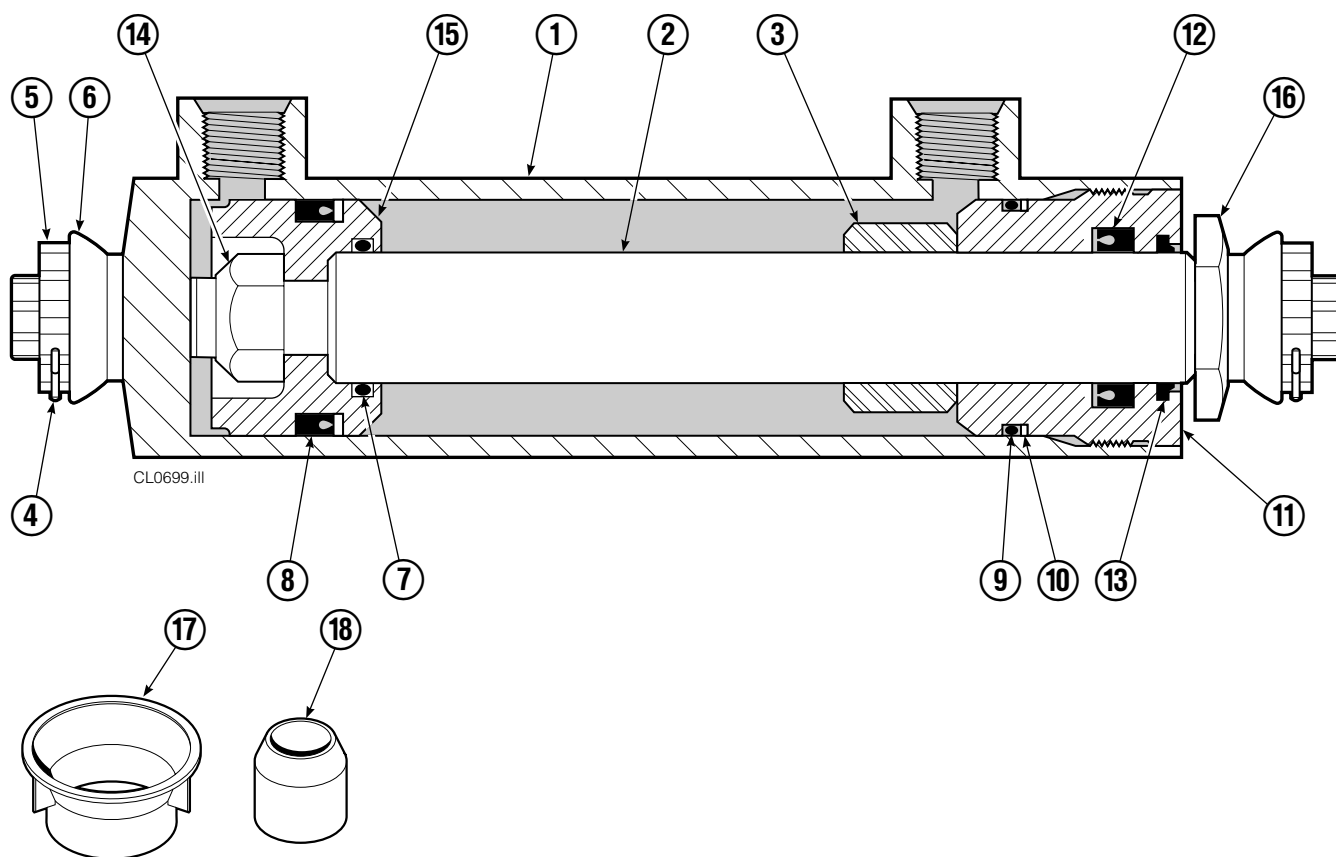
REF	QTY	PART NO.	DESCRIPTION	REF	QTY	PART NO.	DESCRIPTION
4	2	6510	■ Cotter Pin	13	1	638243	✕ Nylon Ring
5	2	667624	■ Nut Retainer	14	1	636853	✕ Wiper
6	2	667625	■ Nut	15	1	667623	Nut
7	1	2716	✕ O-Ring	16	1	558200	Piston
8	1	662452	✕ Seal	17	1	667626	Washer
9	1	2785	✕ O-Ring	18	1	671047	✕ Seal Loader, Piston
10	1	615128	✕ Back-up Ring	19	1	671051	✕ Seal Loader, Retainer
11	1	563906	Retainer			668926	Nut Service Kit
12	1	668448	✕ Seal			668021	Service Kit

■ Included in Nut Service Kit 668926.

Reference: S-4331, S-4343.

✕ Included in Service Kit 668021.

Cylinder



Items that vary with frame width

100C/120C/150C							
REF	QTY	42 in.	48 in.	54 in.	60 in.	72 in.	DESCRIPTION
		PART NO.	PART NO.	PART NO.	PART NO.	PART NO.	
		383033	383034	384134	383027	384150	Cylinder Assembly
1	1	564906	564906	564906	584457	564954	Shell
2	1	584475	584479	564940	584458	584428	Rod
3	1	829242	829236	—	829237	829238	Spacer

Common Items

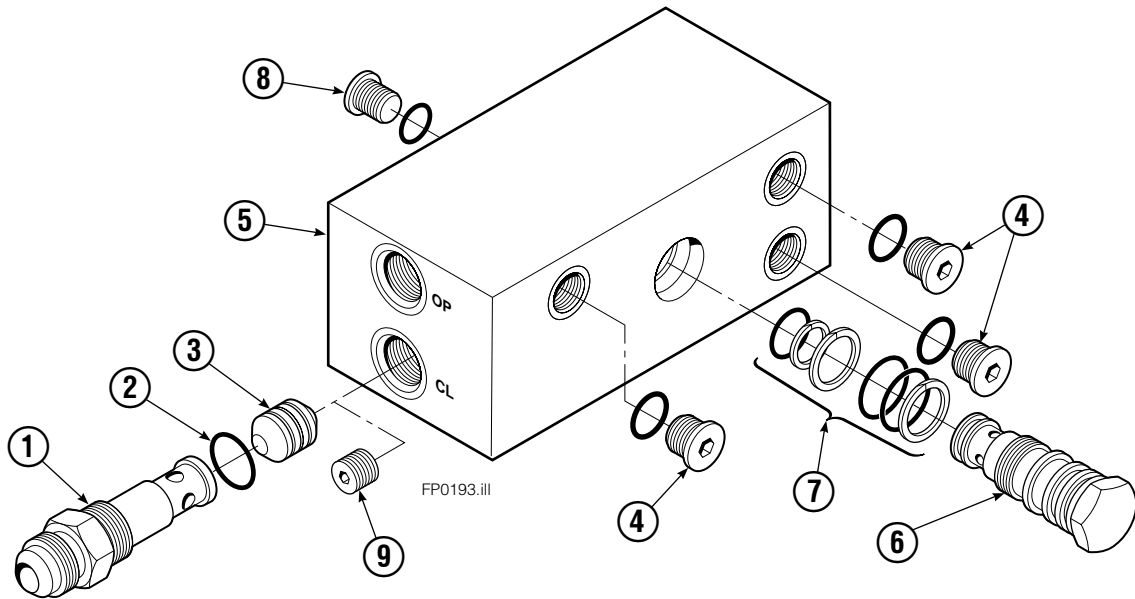
REF	QTY	PART NO.	DESCRIPTION	REF	QTY	PART NO.	DESCRIPTION
4	2	6511	■ Cotter Pin	13	1	564930	✕ Wiper
5	2	667667	■ Nut Retainer	14	1	561012	Nut
6	2	667668	■ Nut	15	1	558402	Piston
7	1	2722	✕ O-Ring	16	1	667676	Washer
8	1	557376	✕ Seal	17	1	671049	✕ Seal Loader, Piston
9	1	2791	✕ O-Ring	18	1	671052	✕ Seal Loader, Retainer
10	1	615134	✕ Back-up Ring			668925	Nut Service Kit
11	1	667675	Retainer			667723	Service Kit
12	1	662451	✕ Seal				

■ Included in Nut Service Kit 668925.

Reference: S-5564, S-5565.

✕ Included in Service Kit 667723.

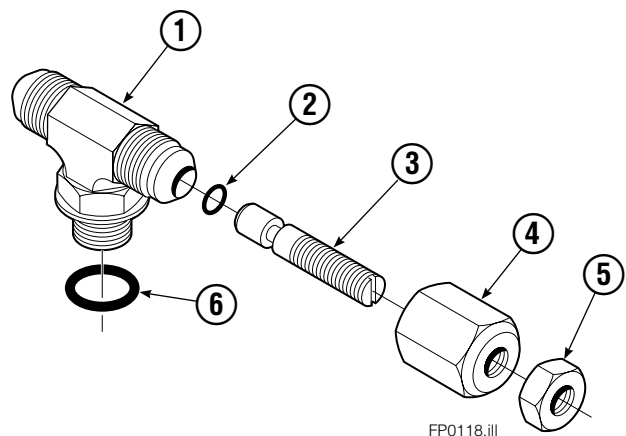
Valve Assembly



REF	QTY	PART NO.	DESCRIPTION
		668861	Check Valve
1	1	667490	Special Fitting
2	2	2841	● O-Ring
3	1	667471	Spool
4	3	609455	Fitting
5	1	668862	Valve Body
6	1	678270	Check Valve – V.P.O.
7	1	661347	● Service Kit
8	1	604510	Fitting, 6
9	1	676343	■ Regeneration Elimination Plug
		668864	Service Kit

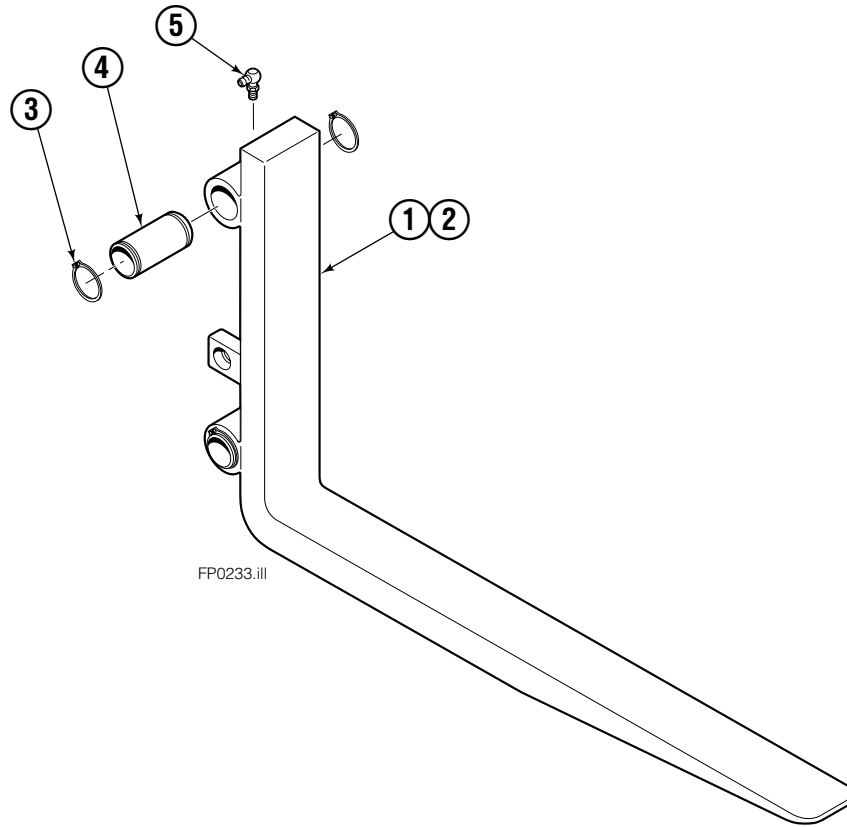
- Included in Service Kit 668864.
- For eliminating regeneration circuit only.
(See Technical Bulletin Number 121)

Restrictor Fitting



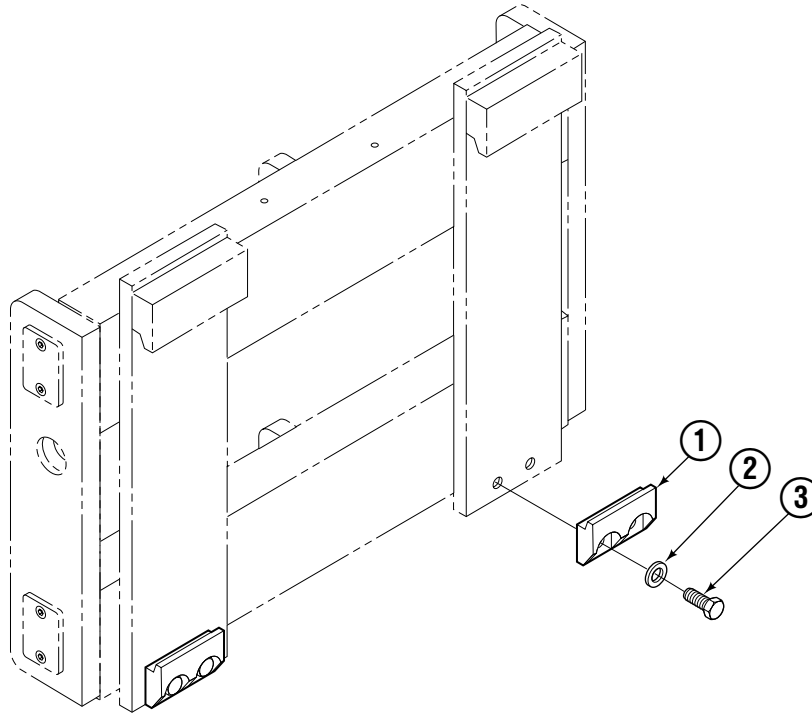
REF	QTY	PART NO.	DESCRIPTION
		617487	Restrictor Assembly
1	1	617486	Tee
2	1	2698	O-Ring
3	1	11100	Setscrew
4	1	11099	Cap
5	1	5715	Jam Nut
6	1	2840	O-Ring

Fork Group



		55C	100C	120C	150C	
		42 in.	42 in.	48 in.	48 in.	
REF	QTY	PART NO.	PART NO.	PART NO.	PART NO.	DESCRIPTION
		214520	214673	214463	214437	Fork Group
1	1	829037	829194	840211	840240	Fork - LH
2	1	829031	829186	840206	840235	Fork - RH
3	8	7205	7217	7223	7223	Retaining Ring
4	4	825084	827203	828468	828468	Bushing
5	4	828470	3000530	828471	828471	Grease Fitting

Mounting Group



FP0223.ill

		55C	100C	120C/150C	
		Class II	Class III	Class IV	
REF	QTY	PART NO.	PART NO.	PART NO.	DESCRIPTION
		678934	381524	384234	Mounting Group
1	2	675968	675969	679832	Lower Hook
2	2	667225	667225	670692	Washer
3	4	667369	667369	768579	Capscrew

Do you have questions you need answered right now? Call your nearest Cascade Parts Department.

Cascade Corporation
2501 Sheridan Avenue
Springfield, OH 45505
Tel: 888-CASCADE (227-2233)
FAX: 888-329-0234

Cascade Canada Inc.
5570 Timberlea Blvd.
Mississauga, Ontario
Canada L4W-4M6
Tel: 905-629-7777
FAX: 905-629-7785

Cascade GmbH
D-41 199 Monchengladbach
Klosterhofweg 52
Germany
Tel: 21-66-602091
FAX: 21-66-680947

Cascade Finland
01370 Vantas
Finland
Tel: 358-0-836-1925
FAX: 358-0-836-1935

**Cascade N.V.
European Headquarters**
P.O. Box 3009
1300 El Almere
Damsluisweg 56
1332 ED Almere
The Netherlands
Tel: 31-36-5492911
FAX: 31-36-5492964

**Cascade N.V.
Benelux Sales and Service**
P.O. Box 3009
1300 El Almere
Damsluisweg 56
1332 ED Almere
The Netherlands
Tel: 31-36-5492950
FAX: 31-36-5492974

Cascade (UK) Ltd.
15, Orgreave Crescent
Dore House Industrial Estate
Handsworth
Sheffield S13 9NQ
England
Tel: 742-697524
FAX: 742-695121

**Cascade Scandinavia
Hydraulik A.B.**
Muskötgatan 19, E8-9
S25466 Helsingborg
Sweden
Tel: 42-151135
FAX: 42-152997

Cascade Norway
Østerliveien 37A
1153 Oslo
Norway
Tel: 47-22-743160
FAX: 47-22-743157

Cascade France S.A.R.L.
11, Rue Jean Charcot
Zone Industrielle Sud or
B.P. 22
91421 Morangis Cedex
France
Tel: 1- 64547501
FAX: 1-9790584

Cascade Hispania S.A.
Avenida De La Fabregada, 7
Hospitalet De Llobregat
Barcelona
Spain
Tel: 3-335-5158
FAX: 3-335-4756

Cascade Japan Ltd.
5-5-41,
Torikai Kami
Settsu, Osaka
Japan, 566
Tel: 81-726-53-3490
FAX: 81-726-53-3497

Cascade Korea
Room 508, Pum Yang Bldg.
750-14, Bang Bac-Dong
Se-Cho Ku, Seoul
Korea
Tel: 2599-7131 ext. 512
FAX: 2533-8089

HYCO-Cascade Pty. Ltd.
1445 Ipswich Road
Rocklea,
Queensland 4107
Australia
Tel: 3-274-2722
FAX: 3-274-3456

HYCO-Cascade (NZ) Ltd.
15 Ra Ora Drive, East Tamaki
P.O. Box 38-440
Howick, Auckland
New Zealand
Tel: 9-273-9136
FAX: 9-273-9137

Cascade (Africa) Pty. Ltd.
P.O. Box 625, Isando 1600
60A Steel Road
Sparton, Kempton Park
South Africa
Tel: 975-9240
FAX: 394-1147

Cascade-Xiamen
Wanshan No. 1 Workshop
Huli Road
Xiamen 361006
Fujian, PRC
Tel: 592-562-4600
FAX: 592-562-4671

**Cascade (Singapore)
Trading Co.**
Four Seasons Park
Autumn Block - Apt. 1802
12 Cascaden Walk
Singapore
Tel: 65-834-1935
FAX: 65-834-1936

